



US00D948209S

(12) **United States Design Patent**
Kim

(10) **Patent No.:** **US D948,209 S**
(45) **Date of Patent:** **** Apr. 12, 2022**

- (54) **SPECTACLE CASE**
- (71) Applicant: **CMA GLOBAL, INC.**, Torrance, CA (US)
- (72) Inventor: **Young-Sun Kim**, Daegu (KR)
- (73) Assignee: **CMA GLOBAL, INC.**, Torrance, CA (US)
- (**) Term: **15 Years**
- (21) Appl. No.: **29/724,180**
- (22) Filed: **Feb. 13, 2020**
- (51) **LOC (13) Cl.** **03-01**
- (52) **U.S. Cl.**
USPC **D3/265**; D3/266
- (58) **Field of Classification Search**
USPC D3/207, 215, 219, 229, 263–266, 301;
D12/417; D16/330, 339; 24/3.3, 37, 3.8,
24/563; 206/5, 5.1, 6; 248/902;
351/112, 155
CPC A45C 11/04; A45C 11/005; A47F 7/02;
A47F 7/021
See application file for complete search history.

- D197,146 S * 12/1963 Fisher D6/315
 - 3,294,134 A * 12/1966 Matross A47G 25/54
383/39
 - 3,977,516 A * 8/1976 Tilve A45C 11/04
206/5
 - 4,150,752 A * 4/1979 Breining A47F 7/021
211/85.1
 - 4,566,130 A * 1/1986 Coates A45C 9/00
150/106
 - 5,002,401 A * 3/1991 Blackman A45C 7/0095
150/112
 - D339,979 S * 10/1993 Wehrley D6/315
 - 5,673,788 A * 10/1997 McLane A45C 7/0095
206/5
 - D475,852 S * 6/2003 Peterson D3/260
- (Continued)

FOREIGN PATENT DOCUMENTS

- KR 30-0969471 S 8/2018
- KR 30-1017026 S 7/2019

Primary Examiner — T Chase Nelson

(74) *Attorney, Agent, or Firm* — Sughrue Mion, PLLC

(57) **CLAIM**

The ornamental design for a spectacle case, as shown and described.

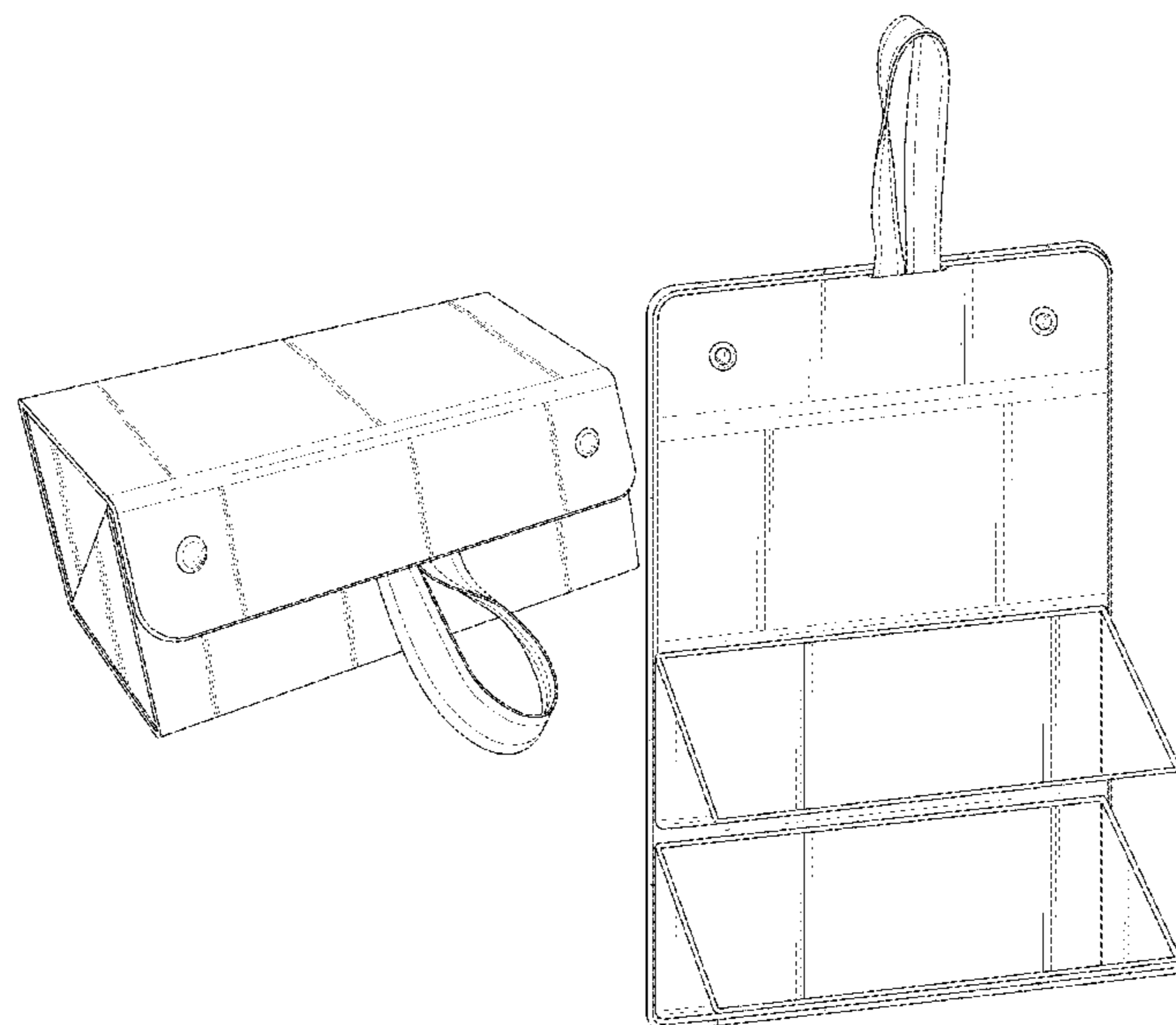
DESCRIPTION

FIG. 1 is a perspective view in closed position of the spectacle case that comprises my invention;
 FIG. 2 is a front view thereof;
 FIG. 3 is a rear view thereof;
 FIG. 4 is a left side view thereof;
 FIG. 5 is a right side view thereof;
 FIG. 6 is a top view thereof;
 FIG. 7 is a bottom view thereof; and,
 FIG. 8 is a perspective view in open position.
 The broken lines throughout the figure views show stitching which does not form a part of the claimed design.

1 Claim, 8 Drawing Sheets

(56) **References Cited**
U.S. PATENT DOCUMENTS

- D30,934 S * 6/1899 Guyer D3/265
- 746,013 A * 12/1903 Burton B65D 33/14
383/22
- D168,545 S * 1/1953 Huch D6/315
- 2,667,965 A * 2/1954 Laibson A45C 11/04
206/5
- 2,936,897 A * 5/1960 Bloch A47F 5/02
211/85.1
- 2,991,967 A * 7/1961 Bothos A47G 29/08
248/309.1
- D192,238 S * 2/1962 Obergfell D3/267
- D194,139 S * 11/1962 Parsell D3/268



(56)

References Cited

U.S. PATENT DOCUMENTS

D489,175 S * 5/2004 Gaita A41D 27/20
D3/215

D546,559 S * 7/2007 Boyette A45C 11/04
D3/266

D566,389 S * 4/2008 Conway H02J 7/0047
D3/266

7,526,842 B2 * 5/2009 Wemmer A41D 27/20
24/578.13

D617,554 S * 6/2010 Raile A45C 11/04
D3/265

7,891,733 B1 * 2/2011 Clarke B60R 7/043
297/188.06

8,567,578 B2 * 10/2013 Cuong A45F 5/00
190/107

D720,536 S * 1/2015 Hsu A45C 9/00
D3/299

D721,493 S * 1/2015 Godshaw A45C 7/0095
D3/301

9,675,149 B1 * 6/2017 Saffold A47G 25/0614

D799,814 S * 10/2017 Reed D3/215

D831,332 S * 10/2018 St. John D3/215

D869,846 S * 12/2019 Liu B65D 33/14
D3/301

2005/0173268 A1 * 8/2005 Boyette A45C 11/04
206/5

2007/0151870 A1 * 7/2007 Boyette A45C 11/04
206/5

2010/0155266 A1 * 6/2010 Nicholson A45C 11/04
206/6.1

2012/0012502 A1 * 1/2012 Young A45C 11/04
206/736

2018/0090958 A1 * 3/2018 Steger H02J 7/0047

* cited by examiner

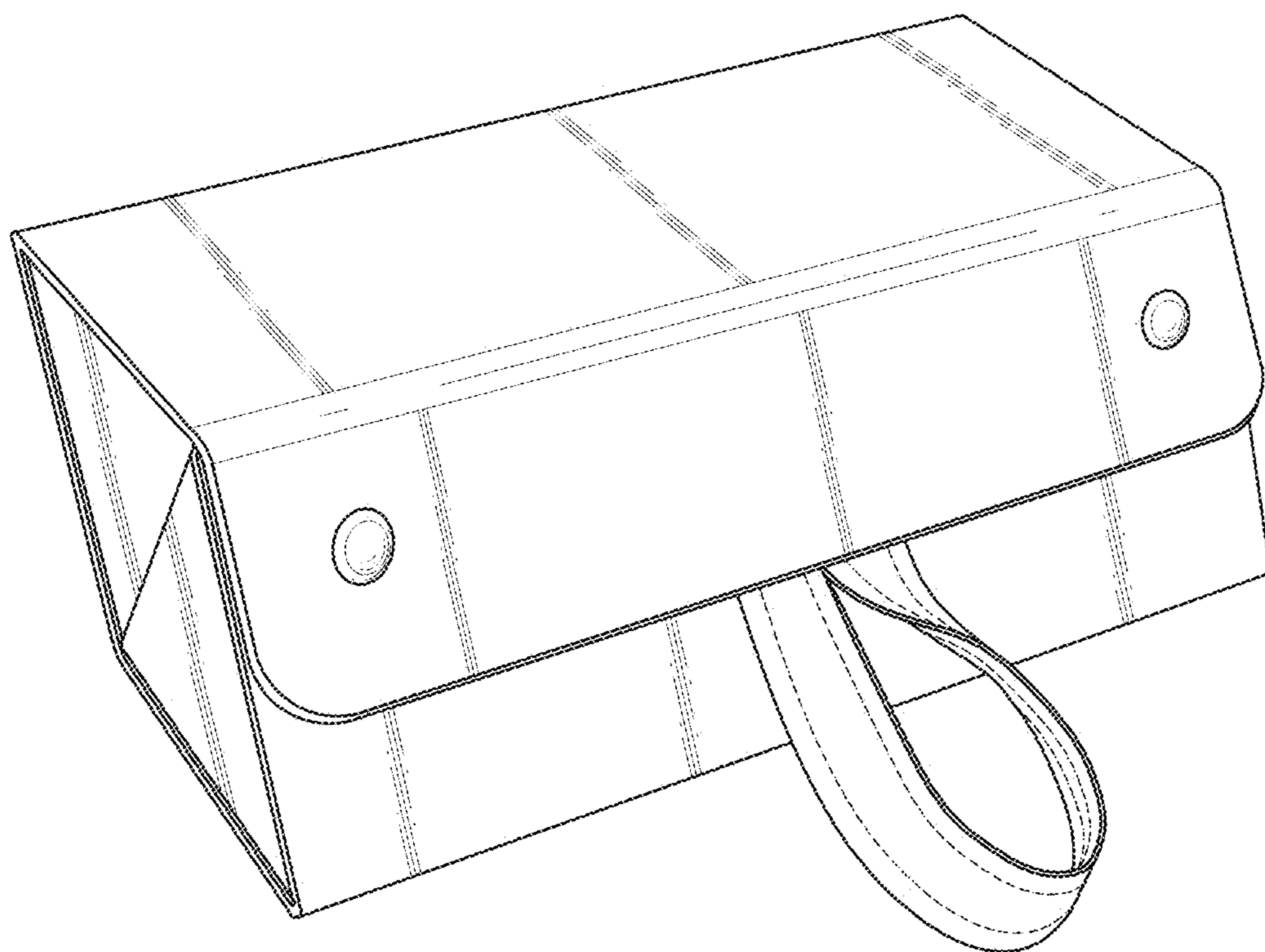


FIG. 1

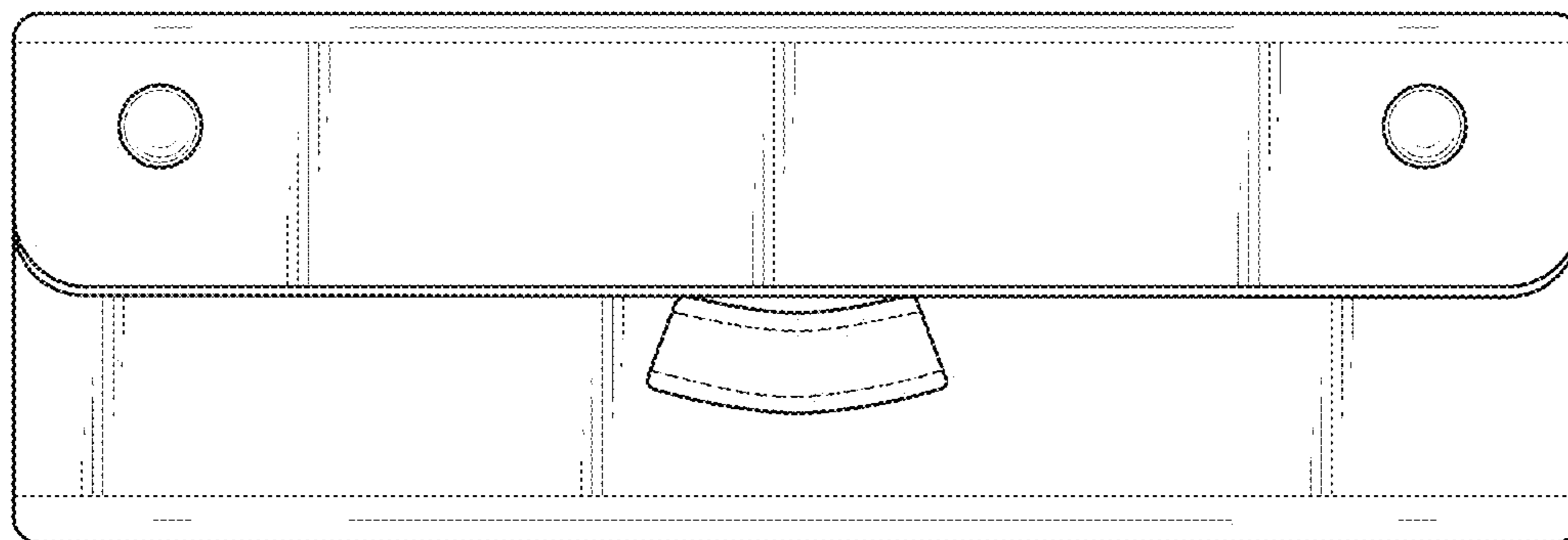


FIG. 2

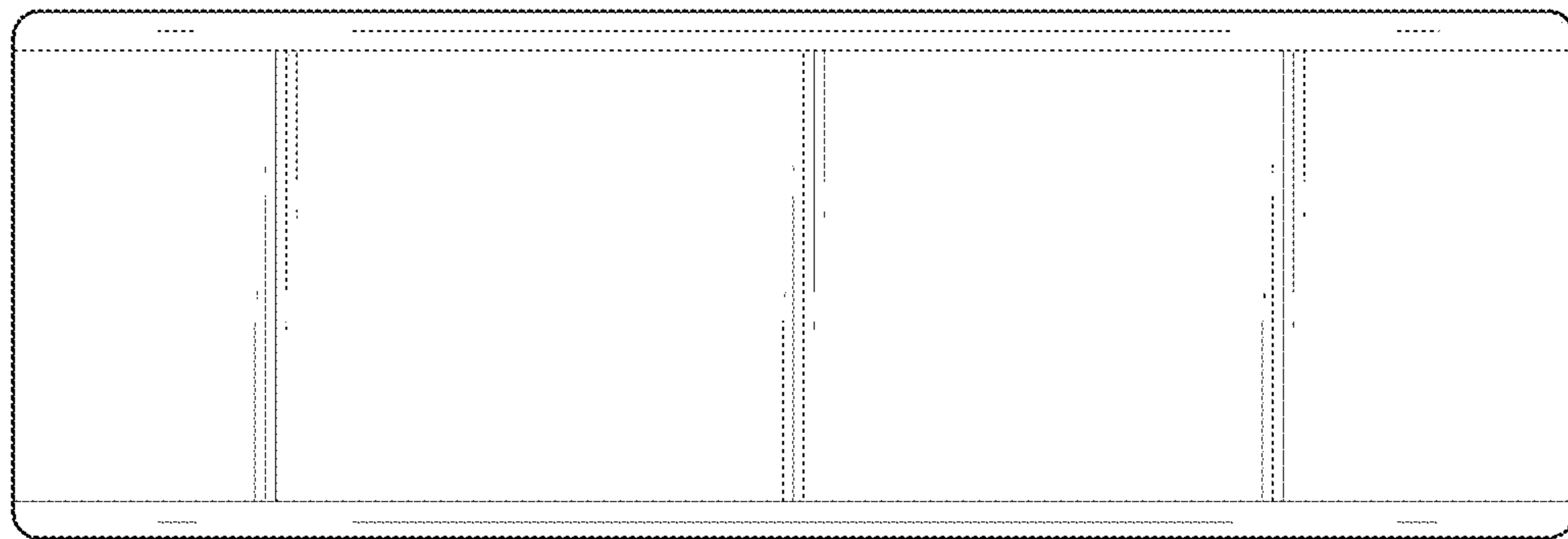


FIG. 3

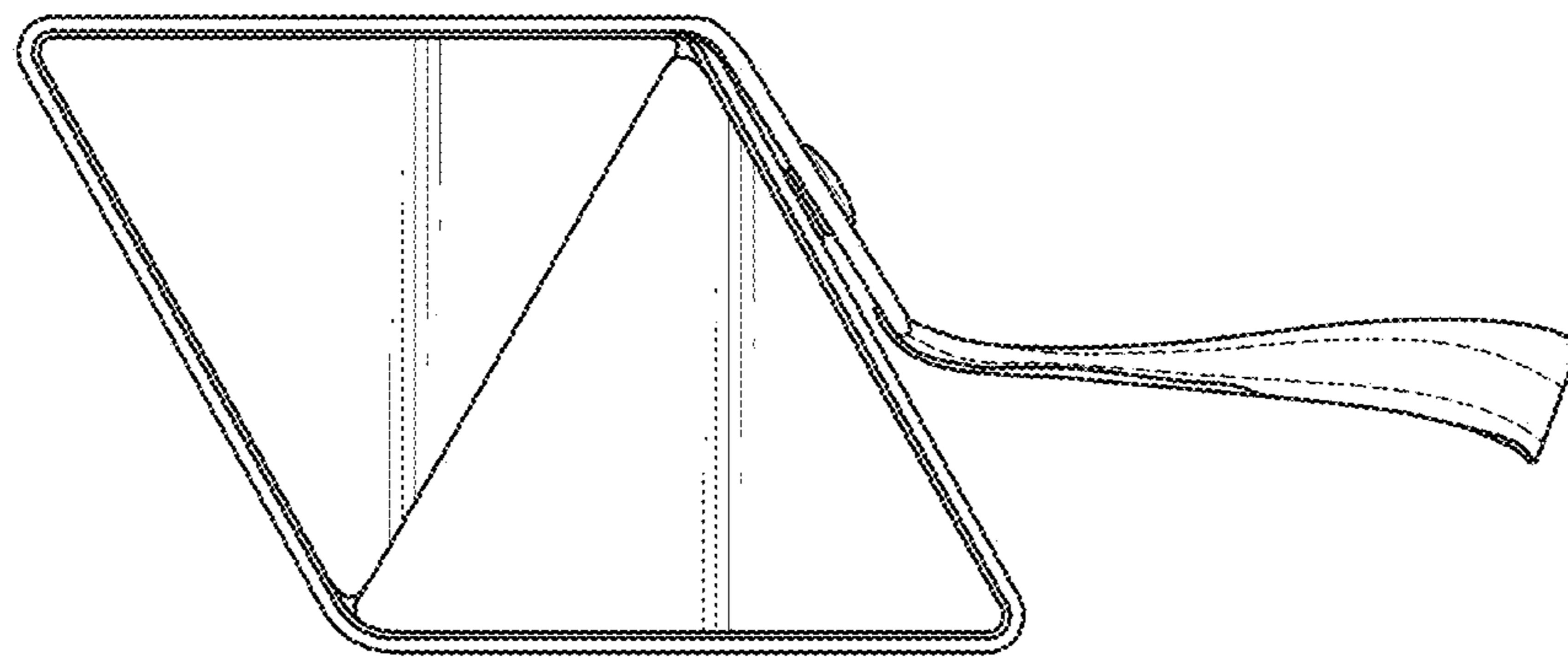


FIG. 4

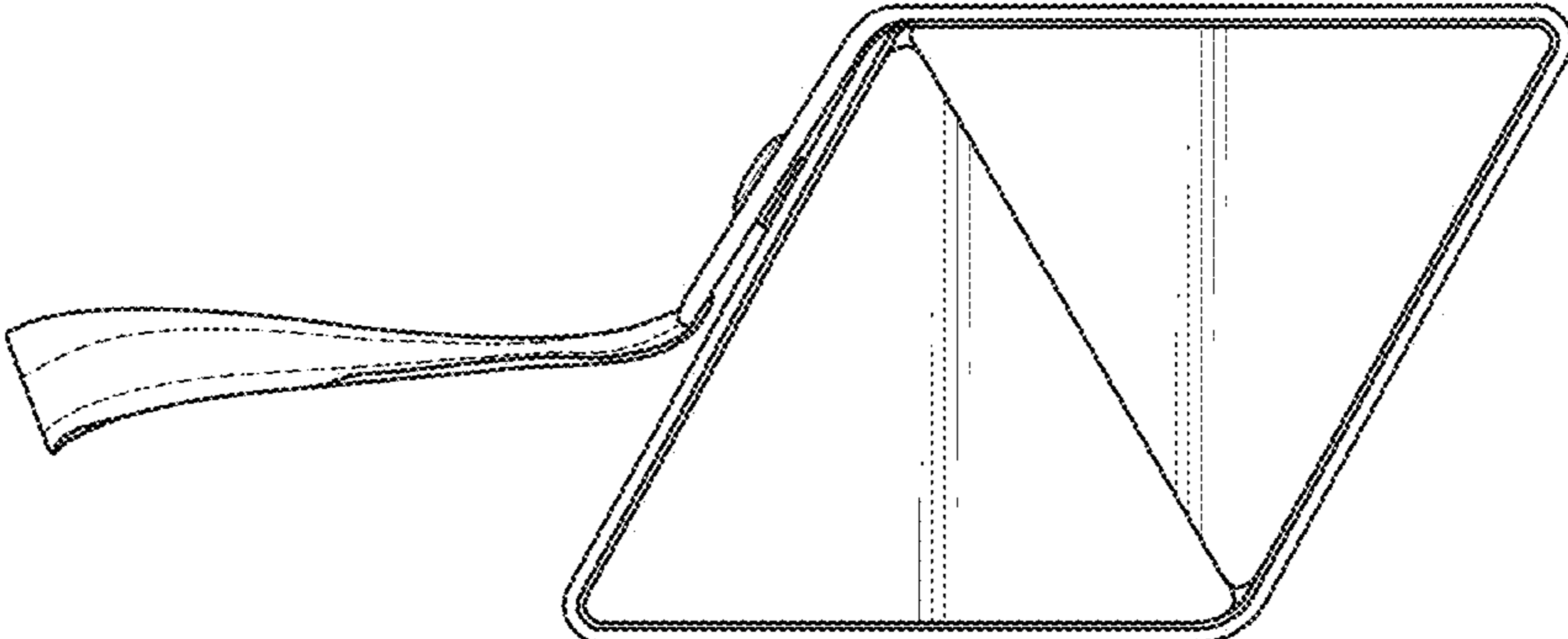


FIG. 5

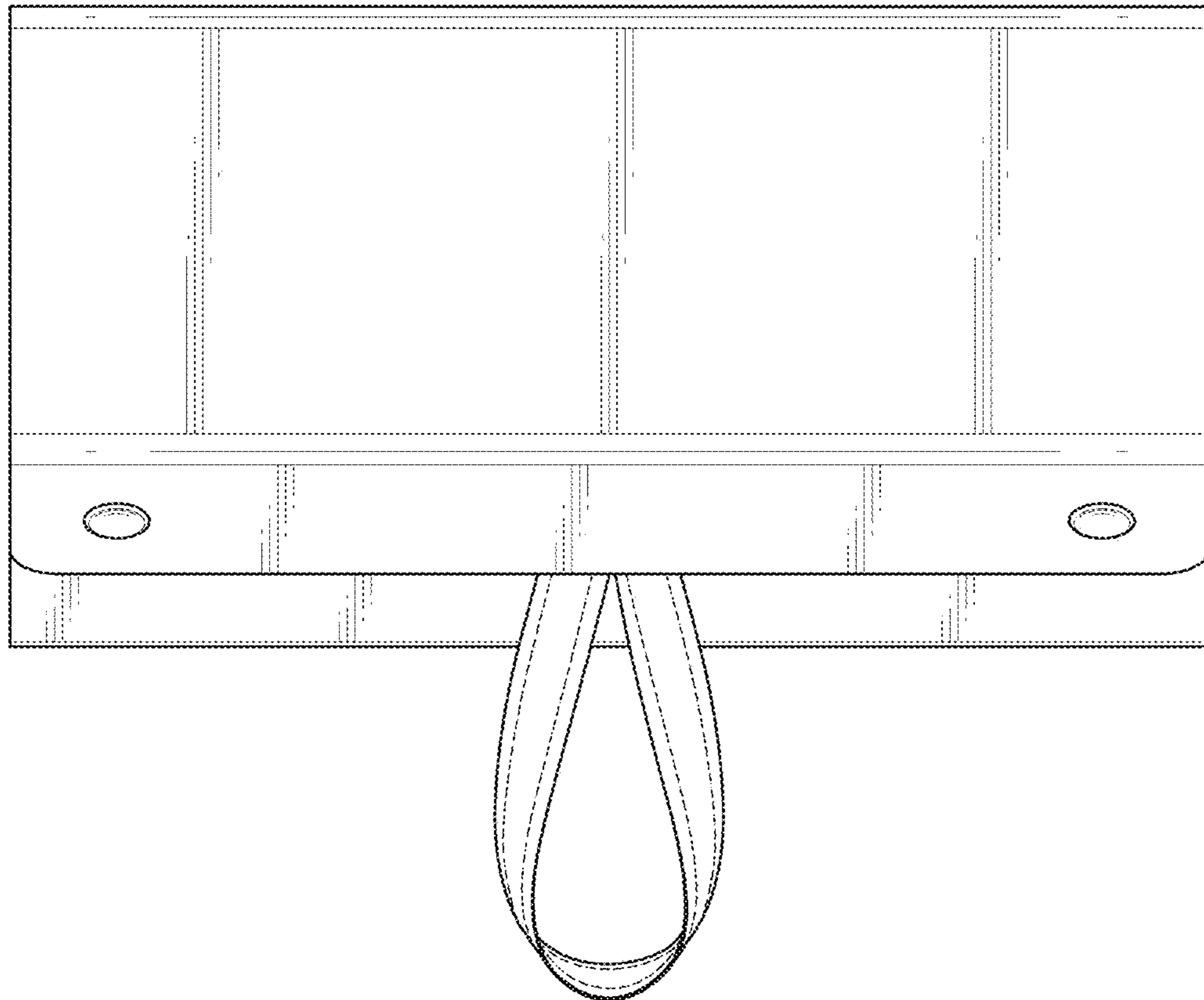


FIG. 6

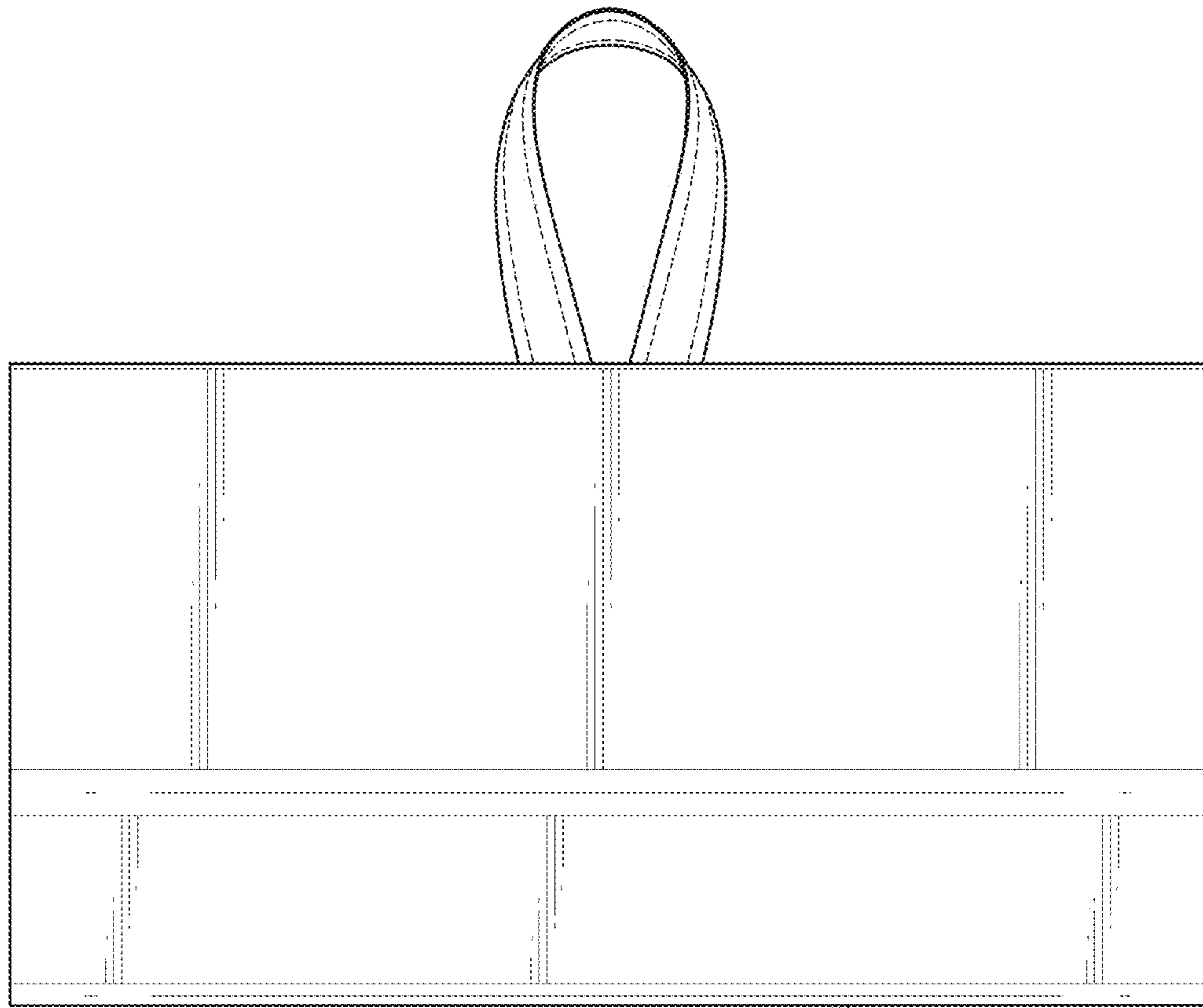


FIG. 7

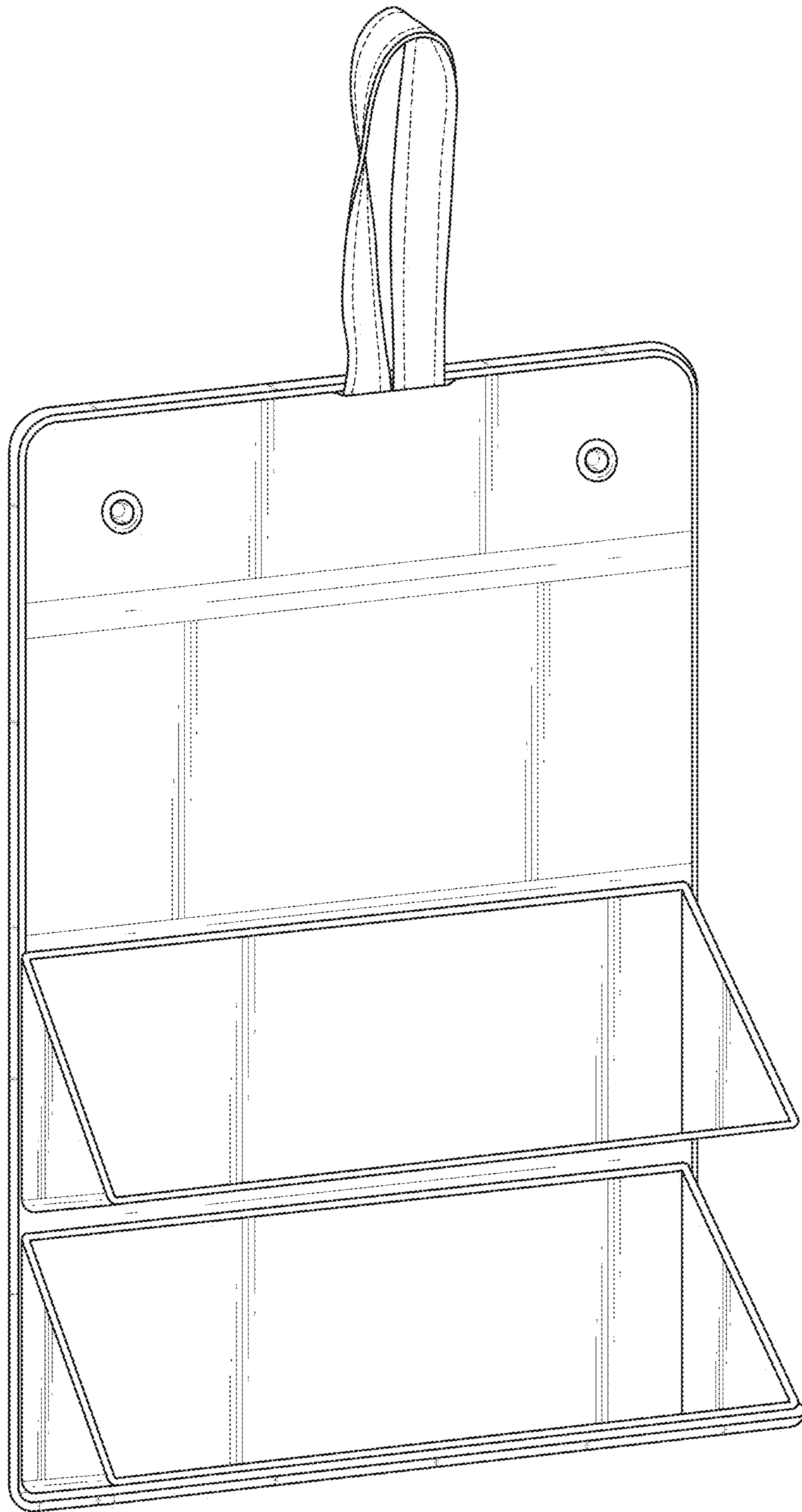


FIG. 8