



US00D948208S

(12) **United States Design Patent** (10) **Patent No.:** **US D948,208 S**
Sato (45) **Date of Patent:** **** Apr. 12, 2022**

(54) **WALLET**

(71) Applicant: **Hiroataka Sato**, Tokyo (JP)

(72) Inventor: **Hiroataka Sato**, Tokyo (JP)

(**) Term: **15 Years**

(21) Appl. No.: **35/512,010**

(22) Filed: **Dec. 7, 2020**

(80) **Hague Agreement Data**

Int. Filing Date: **Dec. 7, 2020**

Int. Reg. No.: **DM/211734**

Int. Reg. Date: **Dec. 7, 2020**

Int. Reg. Pub. Date: **Jun. 11, 2021**

(30) **Foreign Application Priority Data**

Jun. 11, 2020 (JP) 2020-011655

(51) **LOC (13) Cl.** **03-01**

(52) **U.S. Cl.**
USPC **D3/247**

(58) **Field of Classification Search**

USPC D3/245, 246, 247, 248, 249, 250, 251,
D3/318, 319

CPC A45C 1/06; A45C 3/08; G09F 1/10

See application file for complete search history.

(56) **References Cited**

U.S. PATENT DOCUMENTS

D158,019 S *	4/1950	Smallman	D3/247
D188,525 S *	8/1960	Seitz	D3/250
3,086,694 A *	4/1963	Tucker	B42D 15/00 229/68.1
D266,884 S *	11/1982	Bauman	D3/208
D267,053 S *	11/1982	Linke	D3/251
D295,920 S *	5/1988	Osofsky	D3/207
D450,924 S *	11/2001	Leslie	D3/247
D480,206 S *	10/2003	Howard	D3/212
D611,249 S *	3/2010	Uzelac	D3/247

D628,796 S *	12/2010	Uzelac	D3/247
D710,095 S *	8/2014	Ravi	D3/247
D716,043 S *	10/2014	Wilk	D3/247
D793,084 S *	8/2017	Blanc	D3/262
D845,623 S *	4/2019	Sullivan	D3/247
D851,928 S *	6/2019	Moore	D3/247
D887,131 S *	6/2020	Smith	D3/247
D903,312 S *	12/2020	Bauer	D3/247
D923,333 S *	6/2021	Sato	D3/247

(Continued)

OTHER PUBLICATIONS

“10 Minimalist Wallets for Understated Elegance” [online]. The Wardrobe. [Published on Jul. 14, 2021]. Retrieved from the Internet: <<https://www.opumo.com/magazine/best-minimalist-wallets-for-men/>>.*

Primary Examiner — Mojtaba Tehrani

(57) **CLAIM**

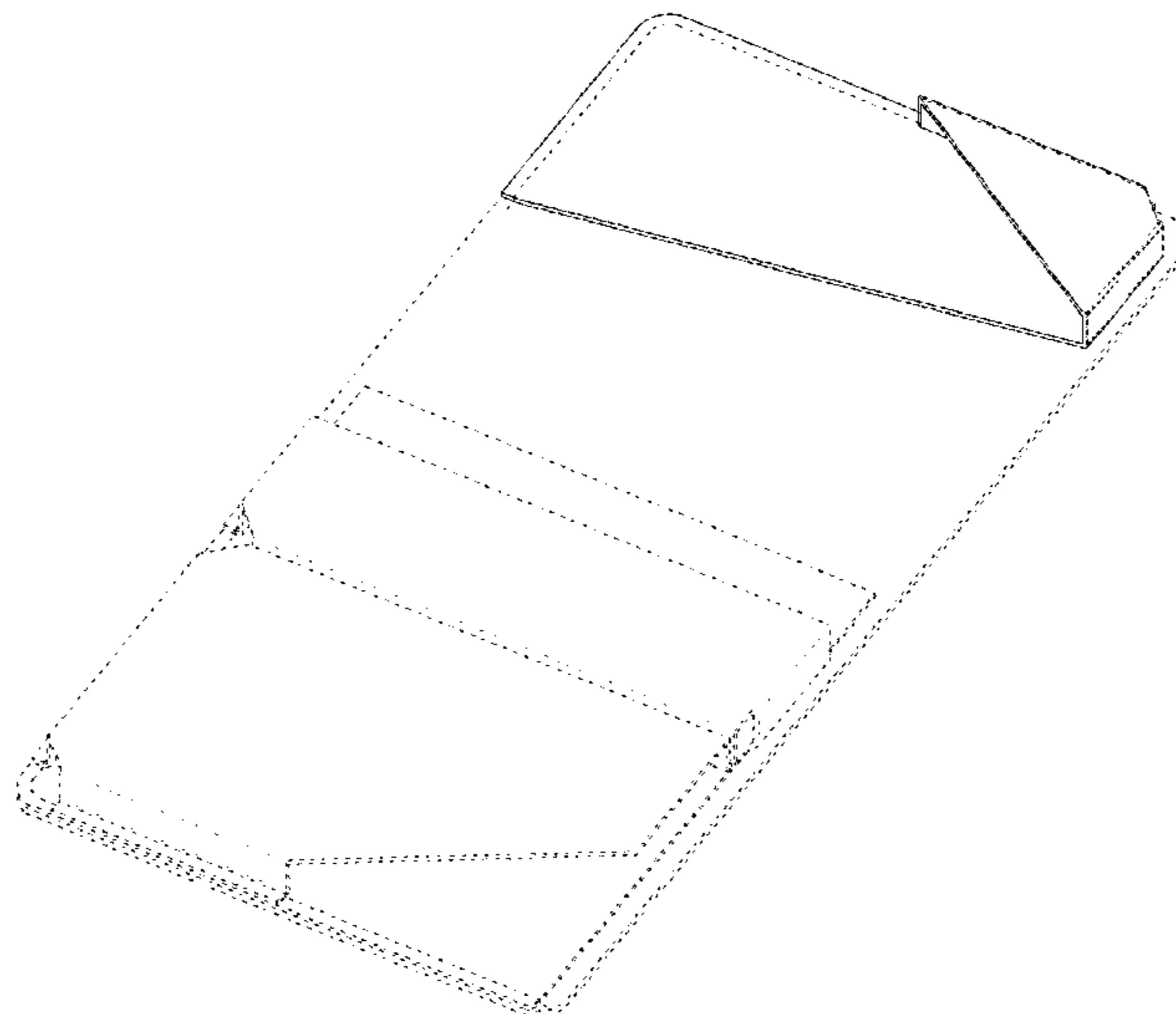
The ornamental design for a wallet, as shown and described.

DESCRIPTION

- 1. Wallet
- 1.1 : Perspective
- 1.2 : Front
- 1.3 : Back
- 1.4 : Top
- 1.5 : Bottom
- 1.6 : Right
- 1.7 : Left
- 1.8 : Front
- 1.9 : Back
- 1.10 : Top
- 1.11 : Bottom
- 1.12 : Left
- 1.13 : Right

The broken lines do not form part of the claimed design; reproduction numbers 1.8 to 1.13 show the folded state of the product.

1 Claim, 13 Drawing Sheets



(56)

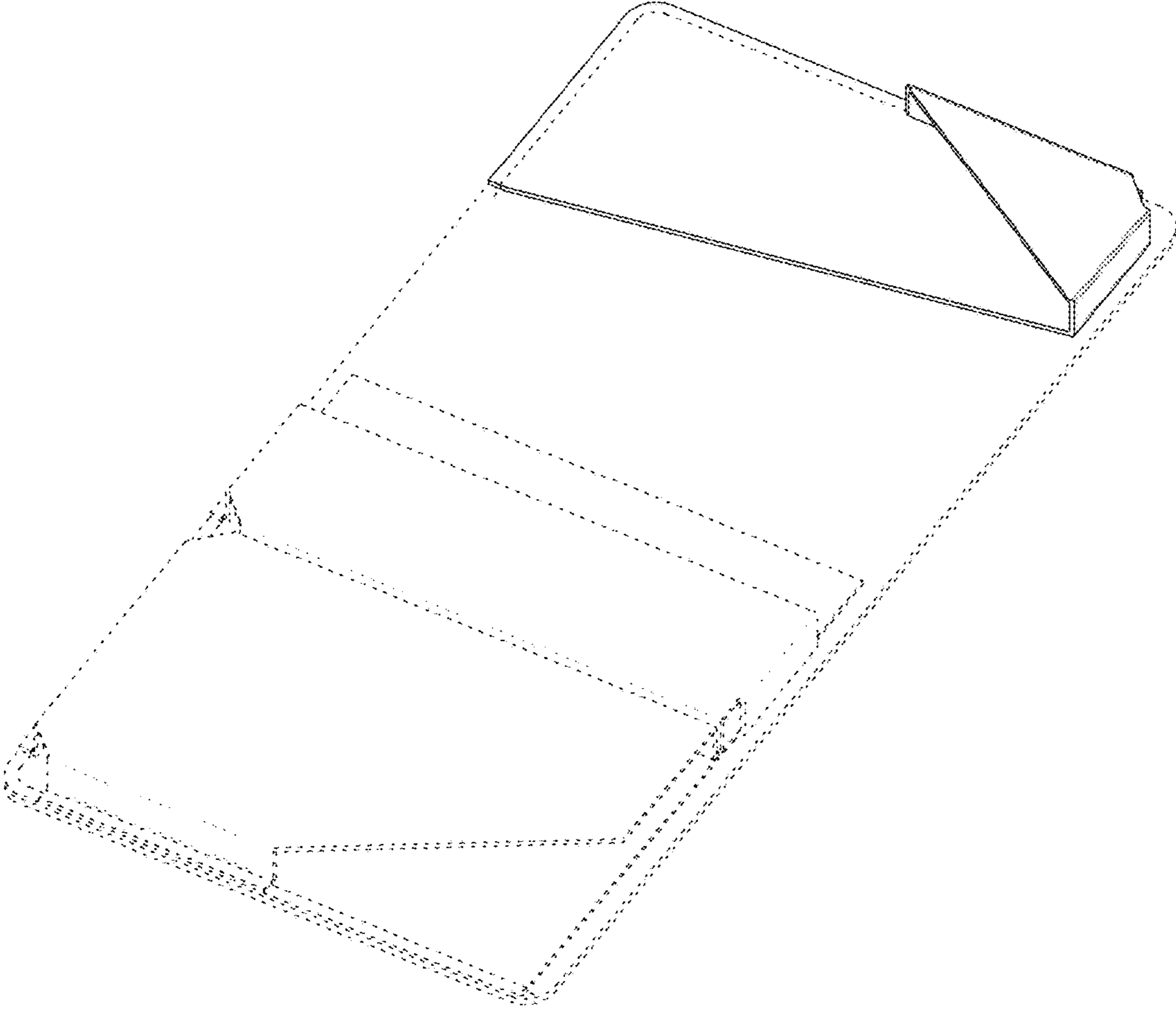
References Cited

U.S. PATENT DOCUMENTS

D935,184 S * 11/2021 Accra D3/318
2011/0210022 A1 * 9/2011 Degel B42D 5/00
206/232

* cited by examiner

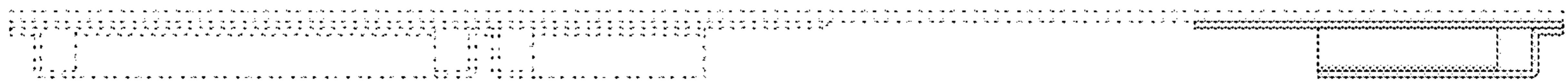
1.1



1.3



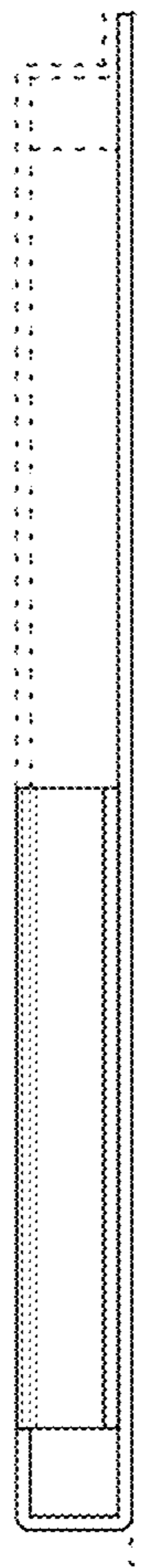
1.4



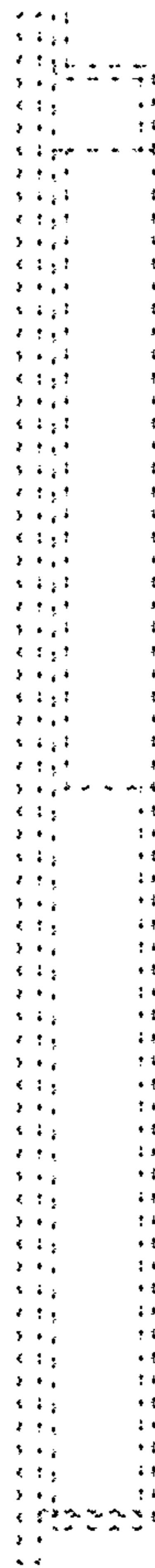
1.5



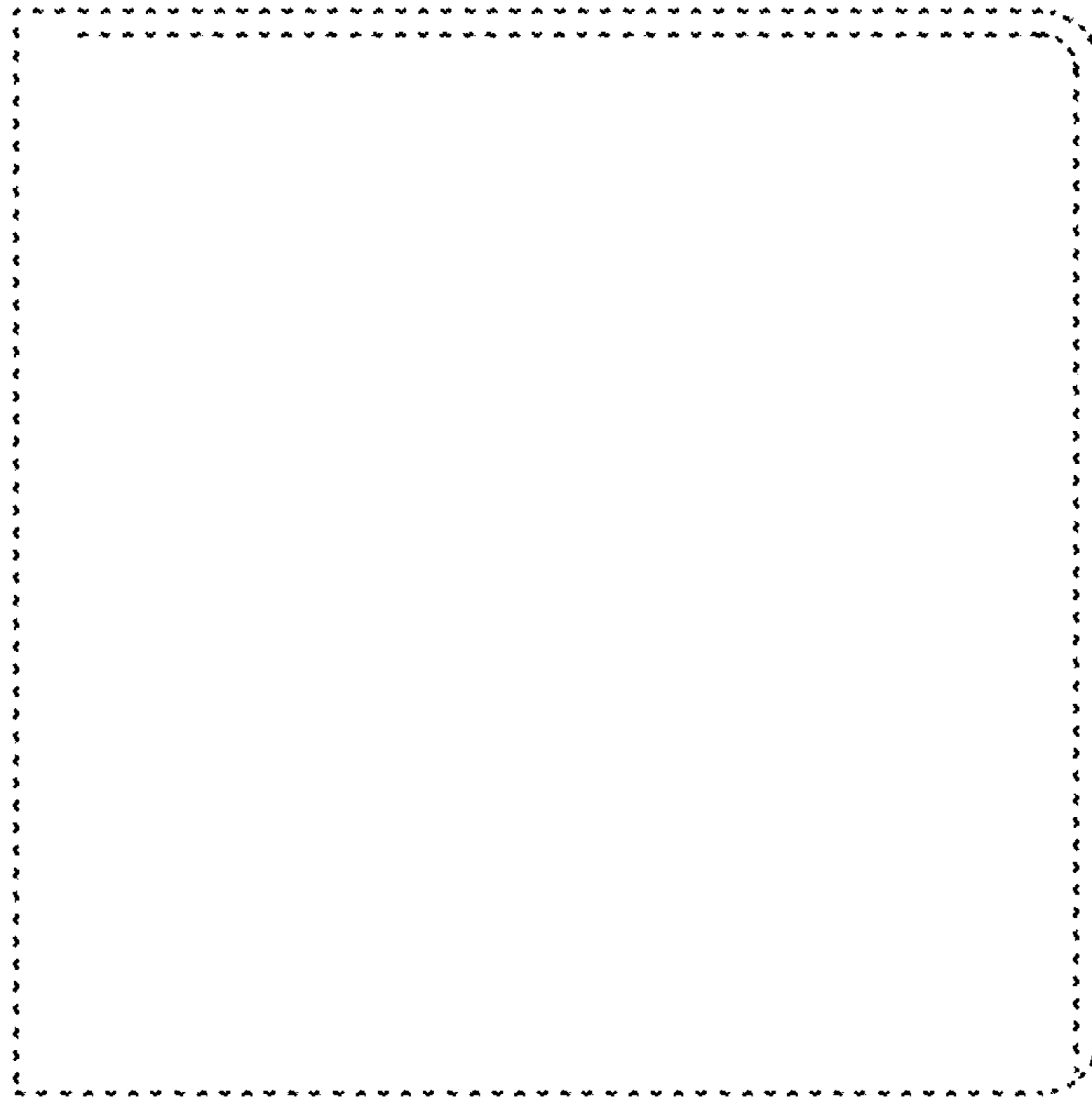
1.6



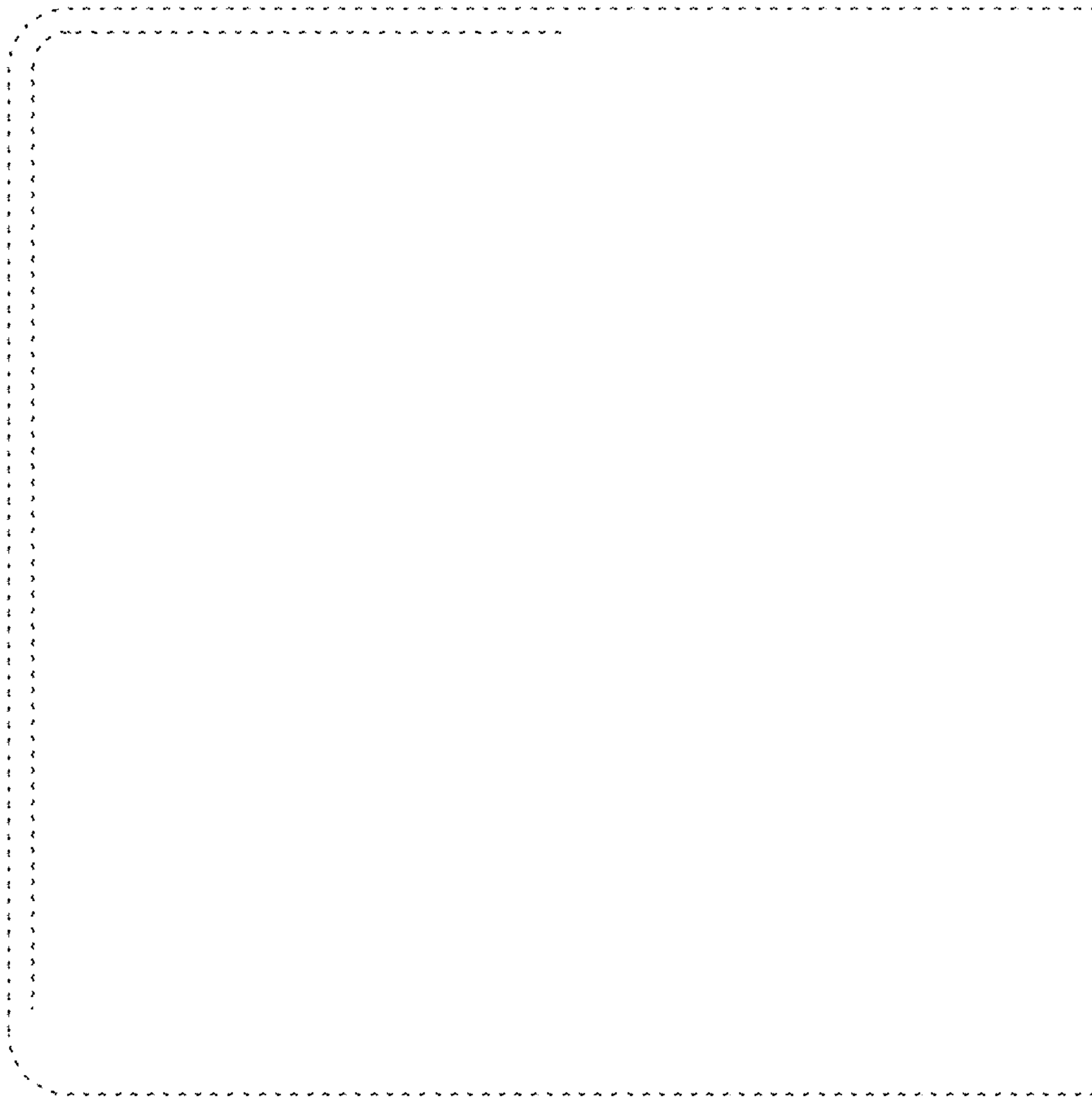
1.7



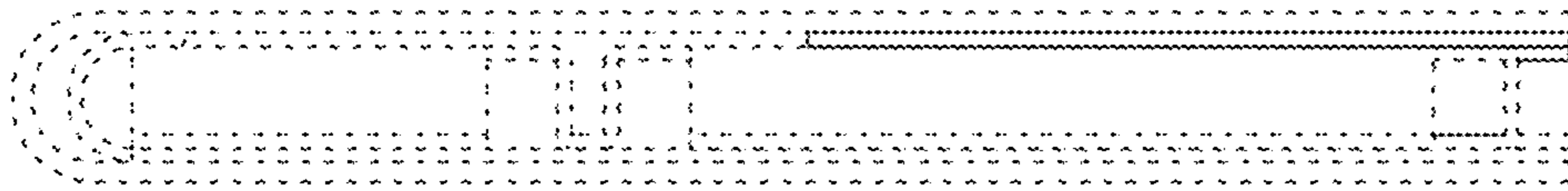
1.8



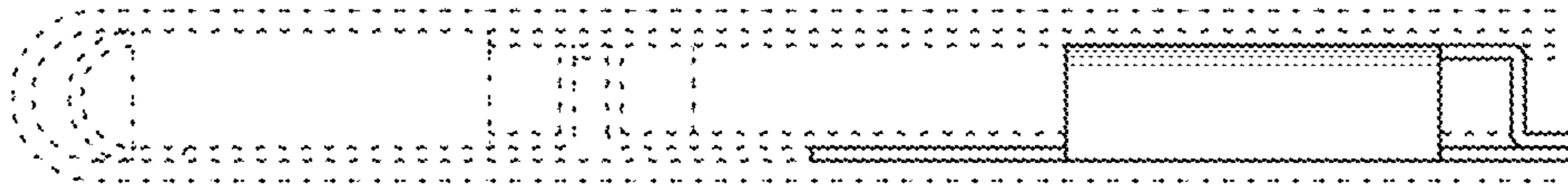
1.9



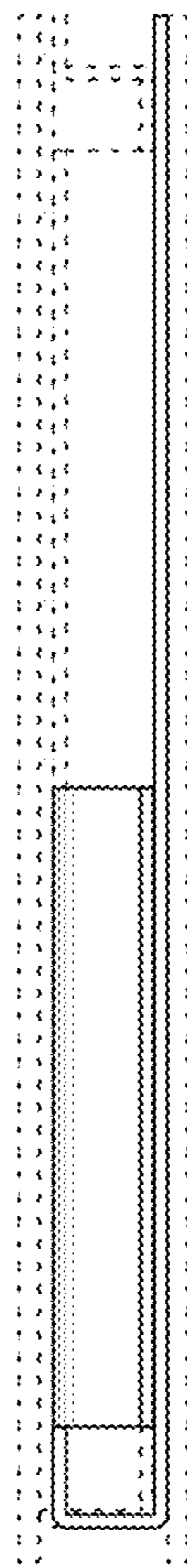
1.10



1.11



1.12



1.13

