



US00D948207S

(12) **United States Design Patent**  
**Sato**

(10) **Patent No.:** **US D948,207 S**  
(45) **Date of Patent:** **\*\* Apr. 12, 2022**

(54) **WALLET**

**DESCRIPTION**

(71) Applicant: **Hiroataka Sato**, Tokyo (JP)

(72) Inventor: **Hiroataka Sato**, Tokyo (JP)

(\*\*) Term: **15 Years**

(21) Appl. No.: **35/510,501**

(22) Filed: **Apr. 3, 2020**

(80) **Hague Agreement Data**

Int. Filing Date: **Apr. 3, 2020**

Int. Reg. No.: **DM/207682**

Int. Reg. Date: **Apr. 3, 2020**

Int. Reg. Pub. Date: **Oct. 9, 2020**

(51) **LOC (13) Cl.** ..... **03-01**

(52) **U.S. Cl.**  
USPC ..... **D3/247**

(58) **Field of Classification Search**  
USPC ..... **D3/245, 246, 247, 248, 249, 250, 251,**  
**D3/318**

(Continued)

(56) **References Cited**

**U.S. PATENT DOCUMENTS**

D187,321 S \* 2/1960 Mayer ..... D3/247  
D188,525 S \* 8/1960 Seitz ..... D3/250

(Continued)

**OTHER PUBLICATIONS**

“10 Minimalist Wallets for Understated Elegance” [online]. The Wardrobe. [Published on Jul. 14, 2021]. Retrieved from the Internet: <<https://www.opumo.com/magazine/best-minimalist-wallets-for-men/>>.\*

*Primary Examiner* — Mojtaba Tehrani

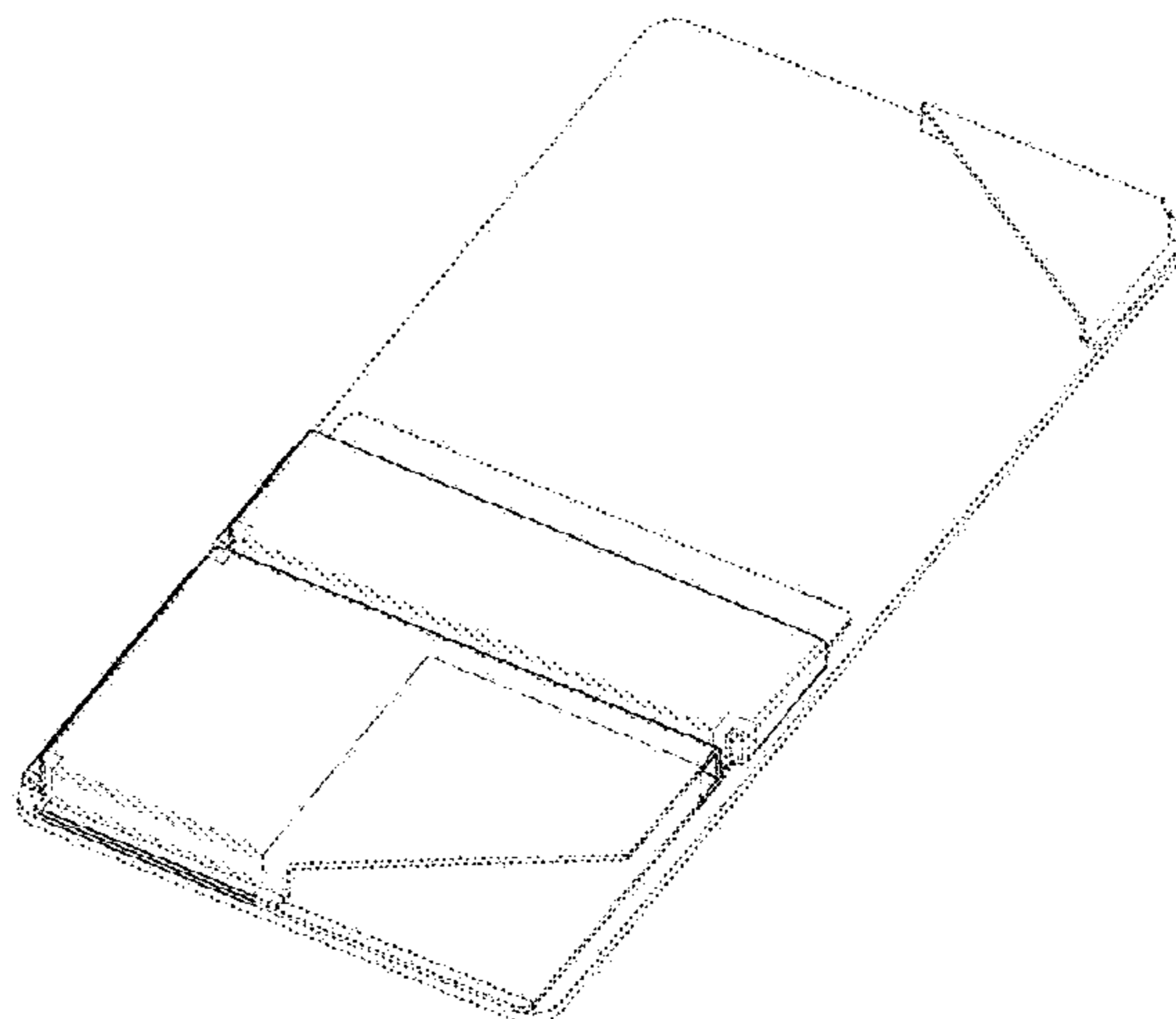
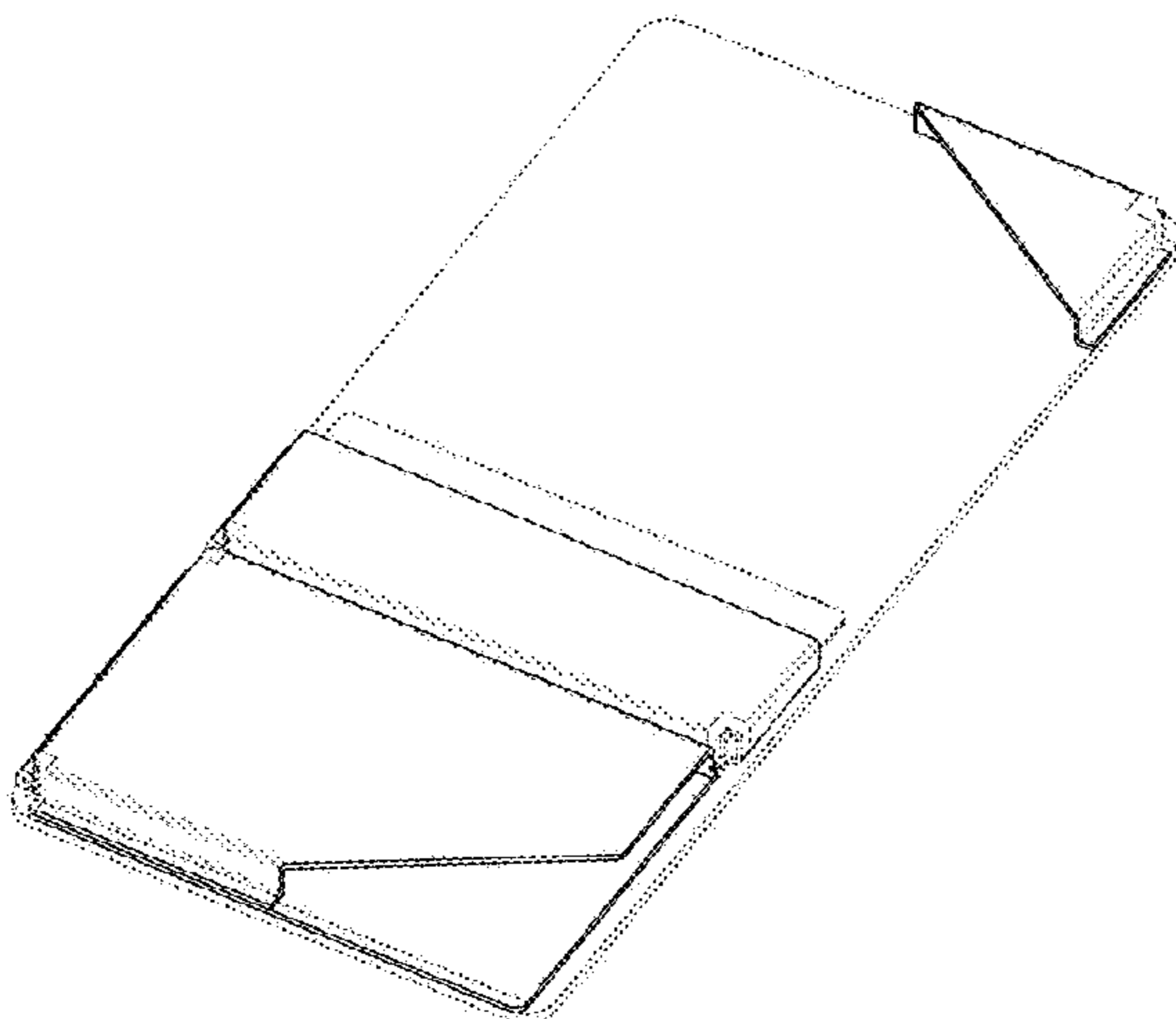
(57) **CLAIM**

The ornamental design for a wallet, as shown and described.

- 1.-2. Wallet
- 1.1 : Perspective
- 1.2 : Front
- 1.3 : Back
- 1.4 : Right
- 1.5 : Left
- 1.6 : Top
- 1.7 : Bottom
- 1.8 : Cross sectional
- 1.9 : Cross sectional
- 1.10 : Cross sectional
- 1.11 : Front view in folded state
- 1.12 : Back view in folded state
- 1.13 : Right view in folded state
- 1.14 : Left view in folded state
- 1.15 : Top view in folded state
- 1.16 : Bottom view in folded state
- 1.17 : Reference view
- 2.1 : Perspective
- 2.2 : Front
- 2.3 : Back
- 2.4 : Right
- 2.5 : Left
- 2.6 : Top
- 2.7 : Bottom
- 2.8 : Cross sectional
- 2.9 : Cross sectional
- 2.10 : Cross sectional
- 2.11 : Front view in folded state
- 2.12 : Back view in folded state
- 2.13 : Right view in folded state
- 2.14 : Left view in folded state
- 2.15 : Top view in folded state
- 2.16 : Bottom view in folded state
- 2.17 : Reference view

The broken lines do not form part of the claimed design; the dotted-dashed lines indicate the boundary between the claimed area and the unclaimed area; reproduction numbers 1.8 and 2.8 are cross-sectional views along A-A' of reproduction numbers 1.2 and 2.2 respectively; reproduction numbers 1.9 and 2.9 are cross-sectional views along B-B' of reproduction numbers 1.2 and 2.2 respectively; reproduction

(Continued)



numbers 1.10 and 2.10 are cross-sectional views along C-C' of reproduction numbers 1.4 and 2.4 respectively; reproduction numbers 1.11 to 1.16 and 2.11 to 2.16 indicate a folded state of the products; reproduction numbers 1.17 and 2.17 are reference view which do not form part of the claimed design.

**1 Claim, 34 Drawing Sheets**

(58) **Field of Classification Search**

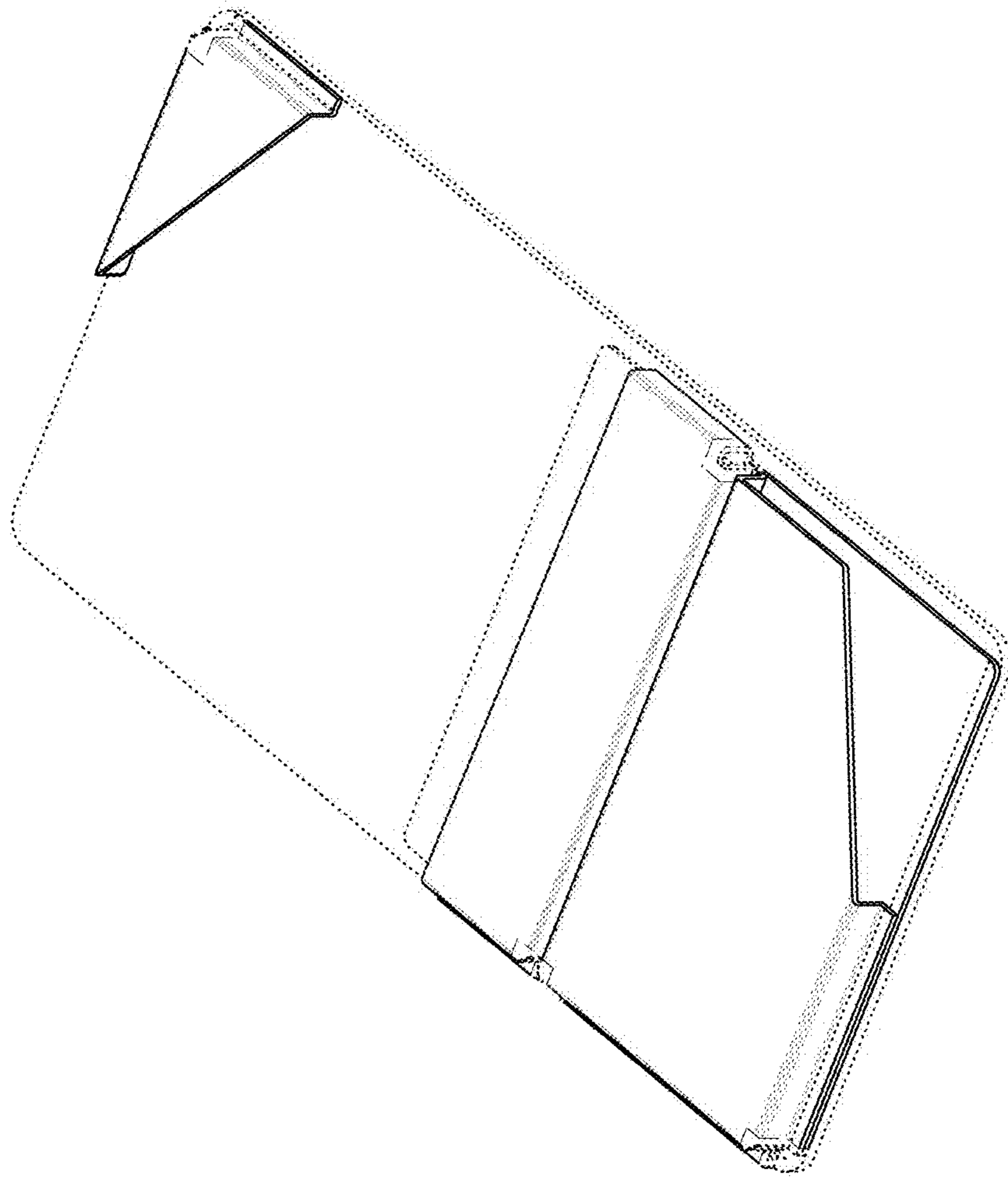
CPC ..... A45C 1/06; A45C 3/08; G09F 1/10  
See application file for complete search history.

(56) **References Cited**

U.S. PATENT DOCUMENTS

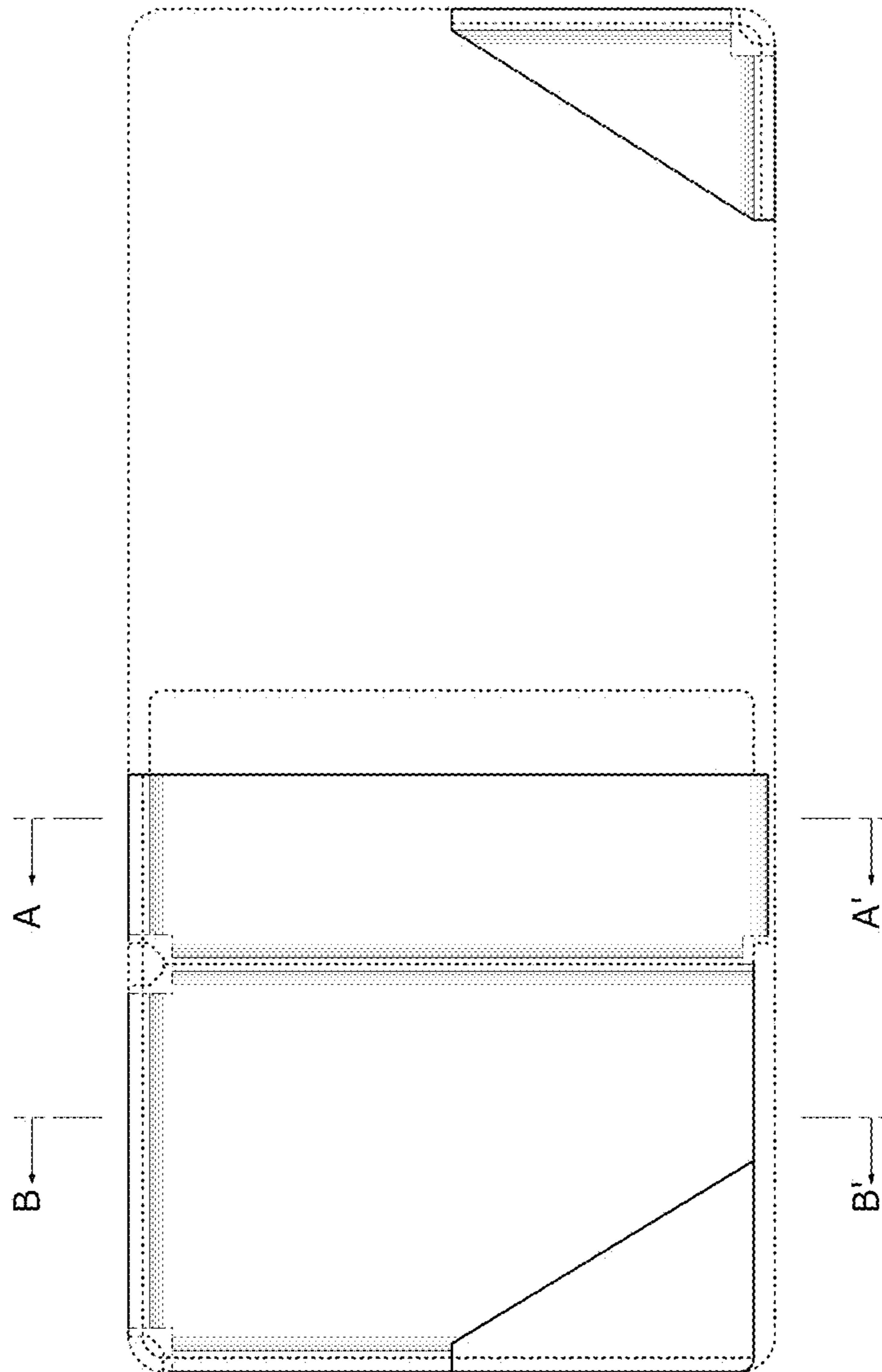
|              |      |         |          |       |                        |
|--------------|------|---------|----------|-------|------------------------|
| 3,086,694    | A *  | 4/1963  | Tucker   | ..... | B42D 15/00<br>229/68.1 |
| D266,884     | S *  | 11/1982 | Bauman   | ..... | D3/208                 |
| D611,249     | S *  | 3/2010  | Uzelac   | ..... | D3/247                 |
| D628,796     | S *  | 12/2010 | Uzelac   | ..... | D3/247                 |
| D710,095     | S *  | 8/2014  | Ravi     | ..... | D3/247                 |
| D716,043     | S *  | 10/2014 | Wilk     | ..... | D3/247                 |
| D750,169     | S *  | 2/2016  | Russell  | ..... | D19/26                 |
| D845,623     | S *  | 4/2019  | Sullivan | ..... | D3/247                 |
| D851,928     | S *  | 6/2019  | Moore    | ..... | D3/247                 |
| D887,131     | S *  | 6/2020  | Smith    | ..... | D3/247                 |
| D903,312     | S *  | 12/2020 | Bauer    | ..... | D3/247                 |
| D923,333     | S *  | 6/2021  | Sato     | ..... | D3/247                 |
| D935,184     | S *  | 11/2021 | Accra    | ..... | D3/318                 |
| 2011/0210022 | A1 * | 9/2011  | Degel    | ..... | B42D 5/00<br>206/232   |
| 2015/0351508 | A1 * | 12/2015 | Buijssen | ..... | A45C 11/00<br>224/191  |

\* cited by examiner



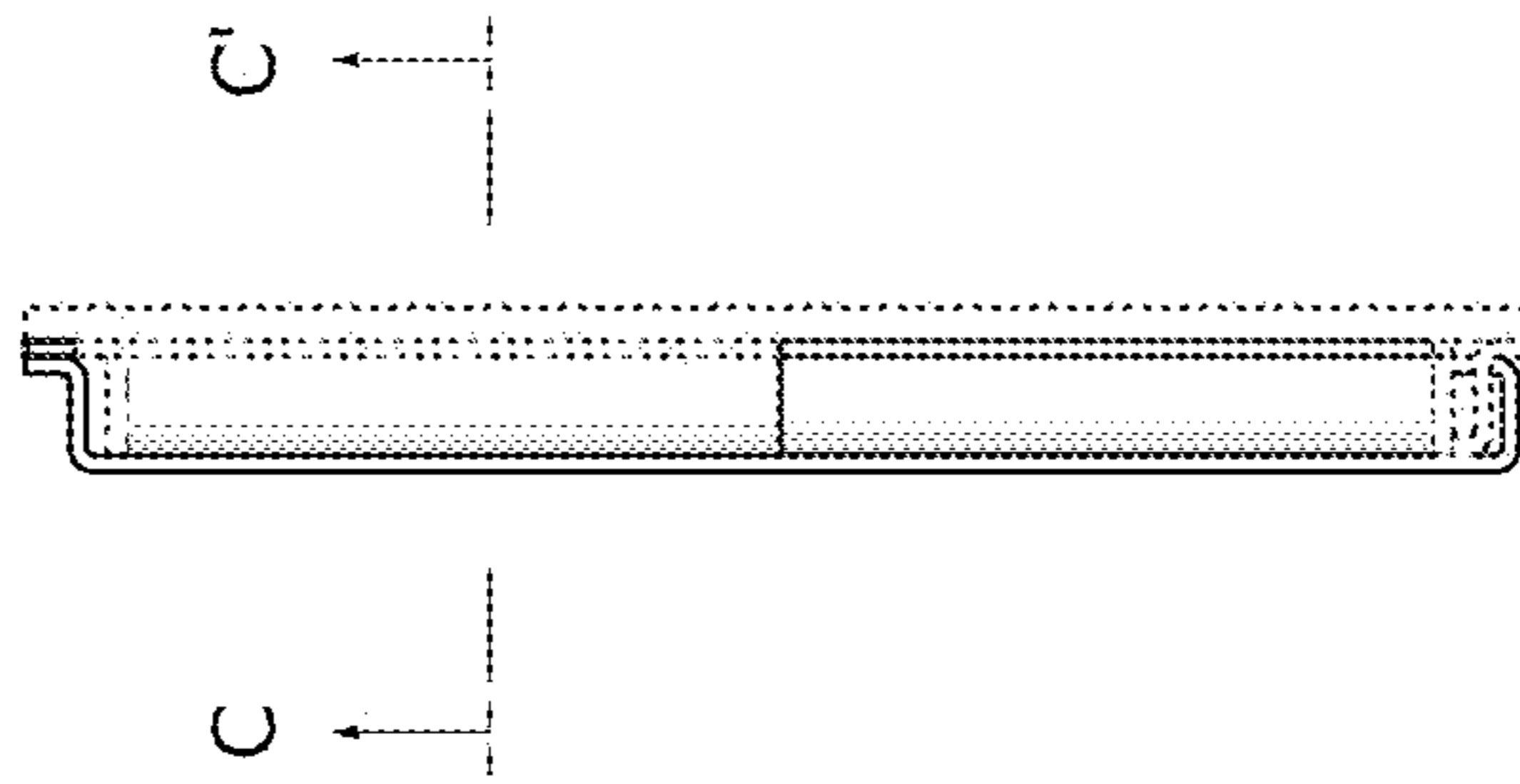
1.1

1.2



1.3

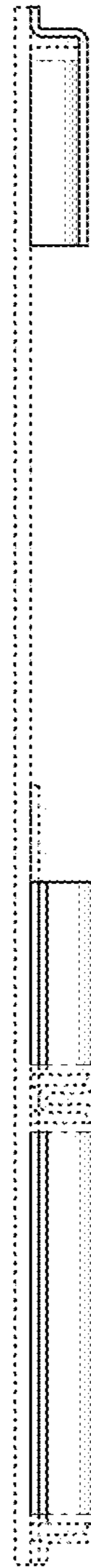






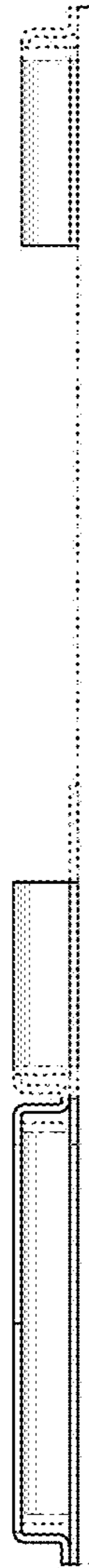
1.5

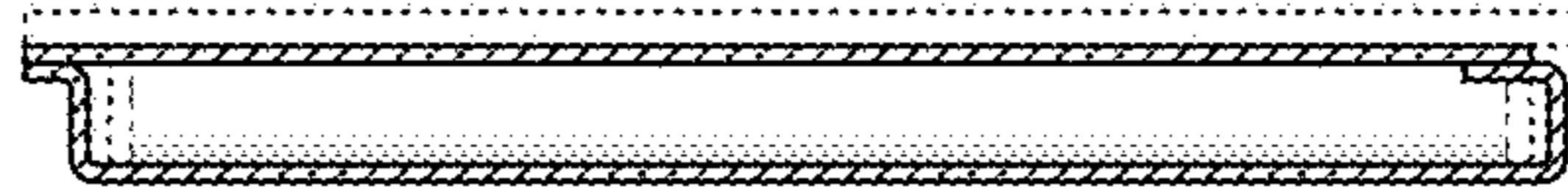
1.6





1.7



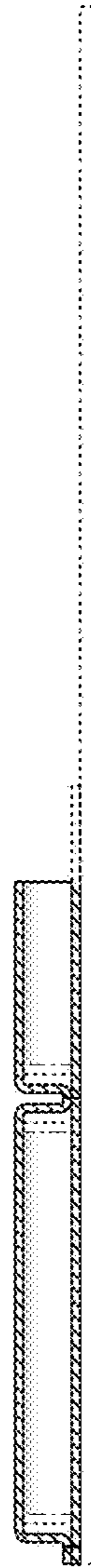


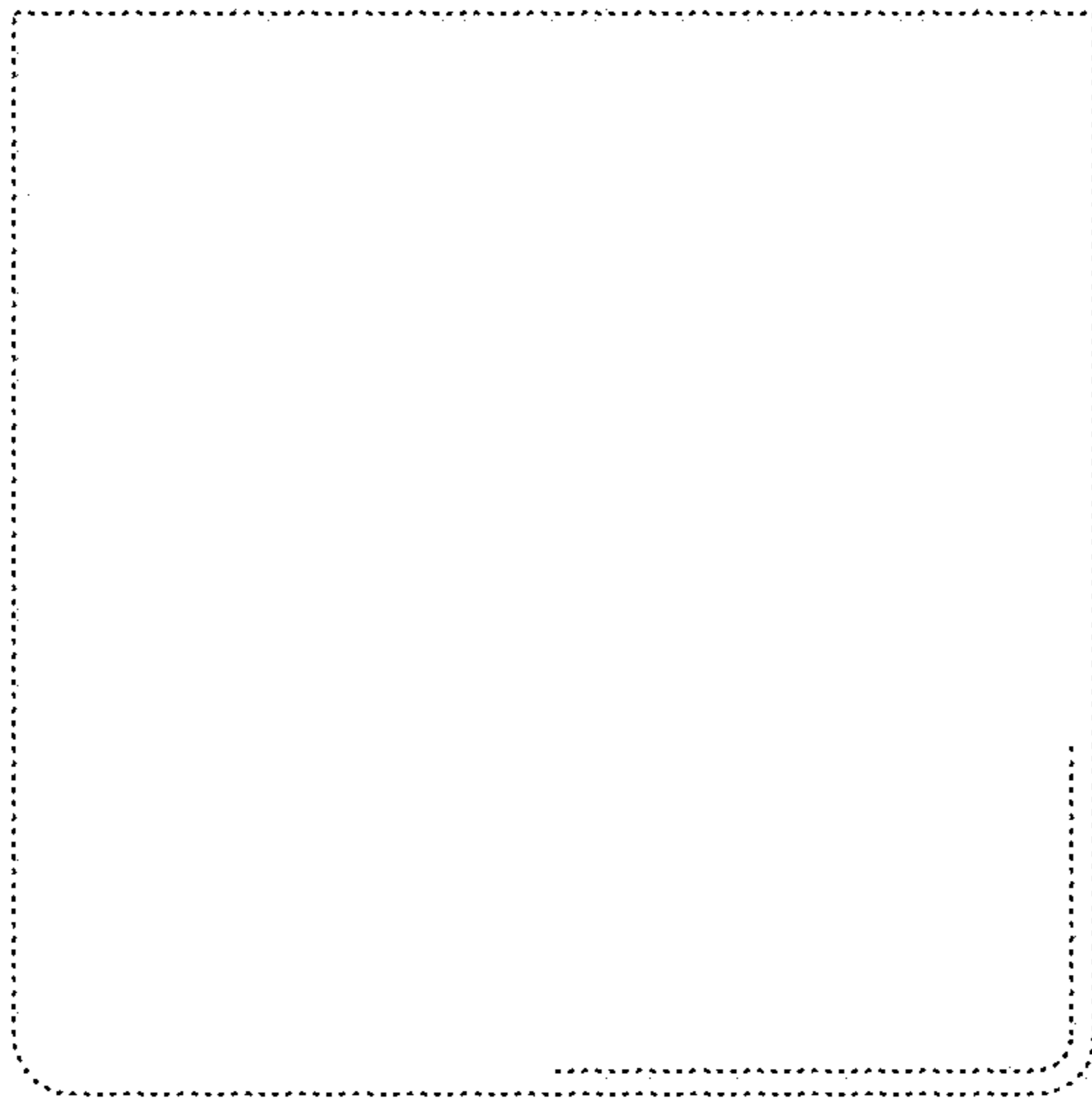
1.8



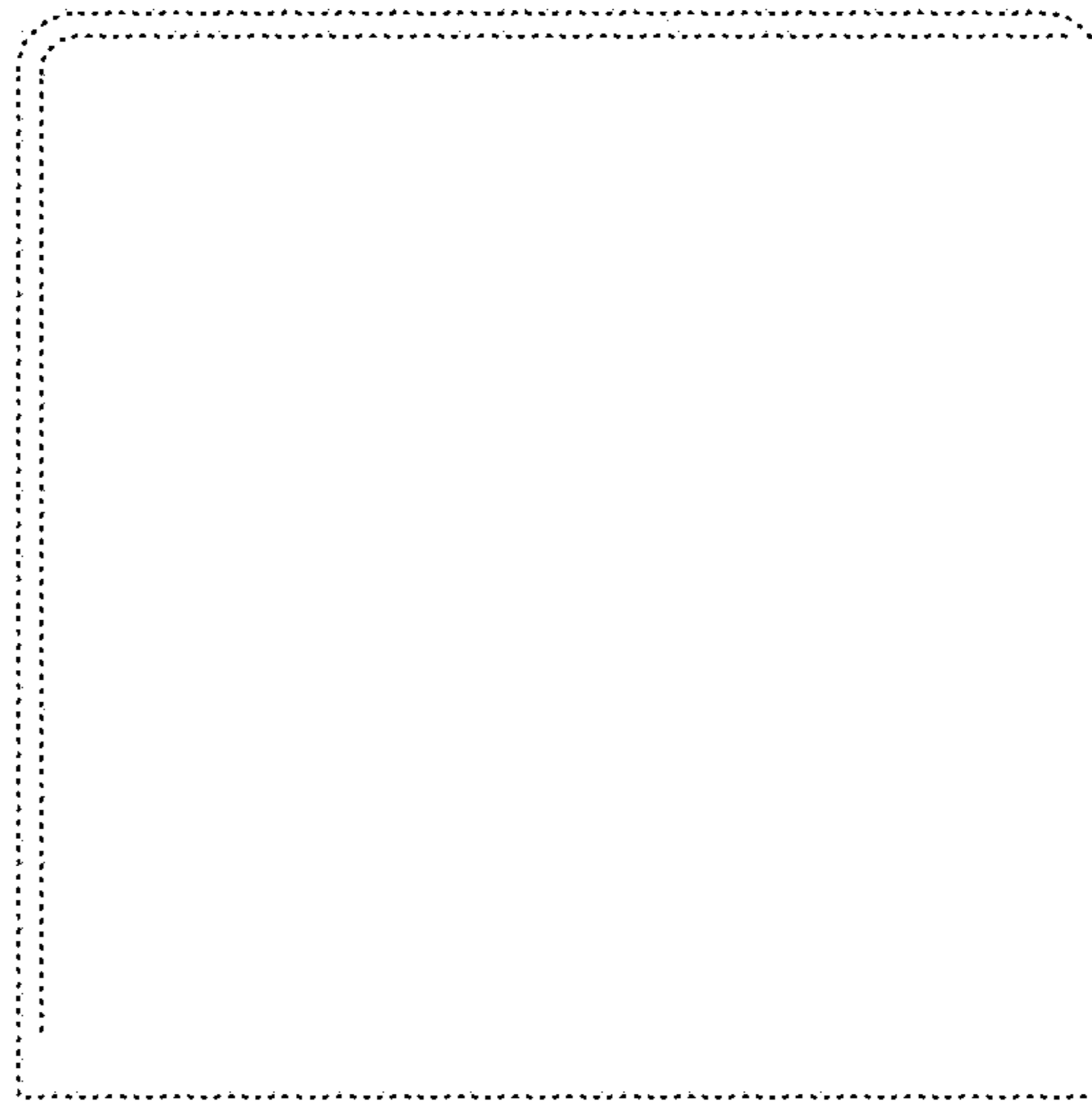
1.9

1.10





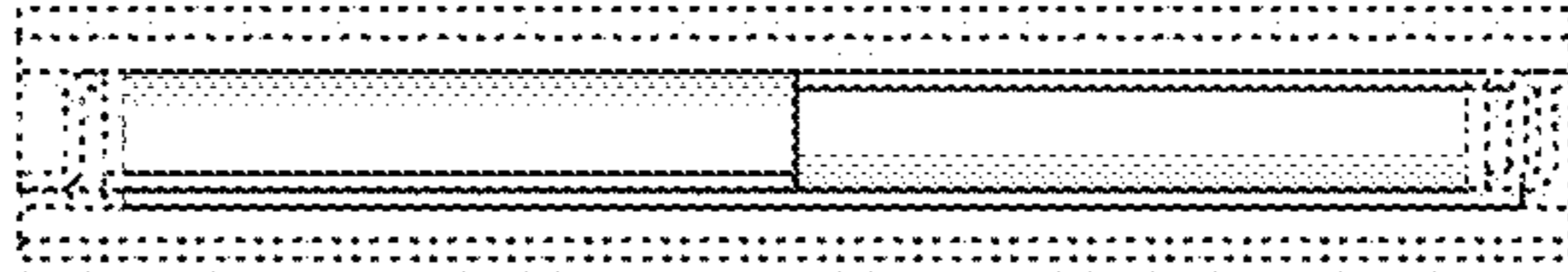
**1.11**



1.12

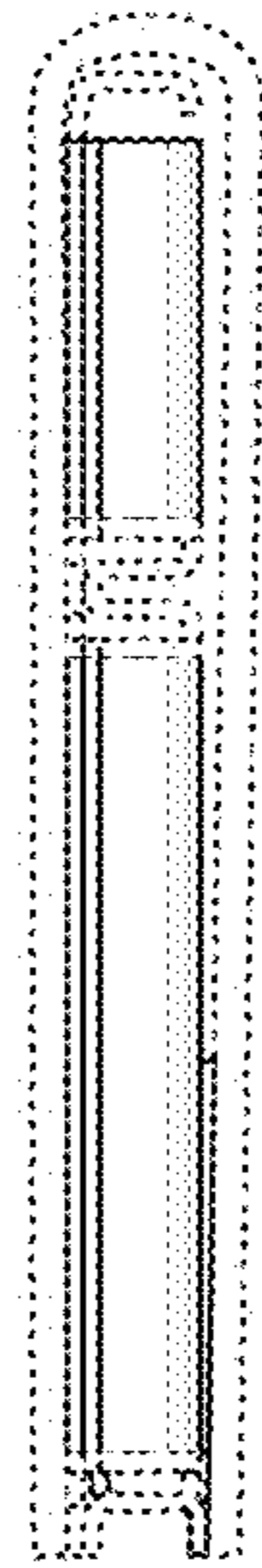


**1.13**

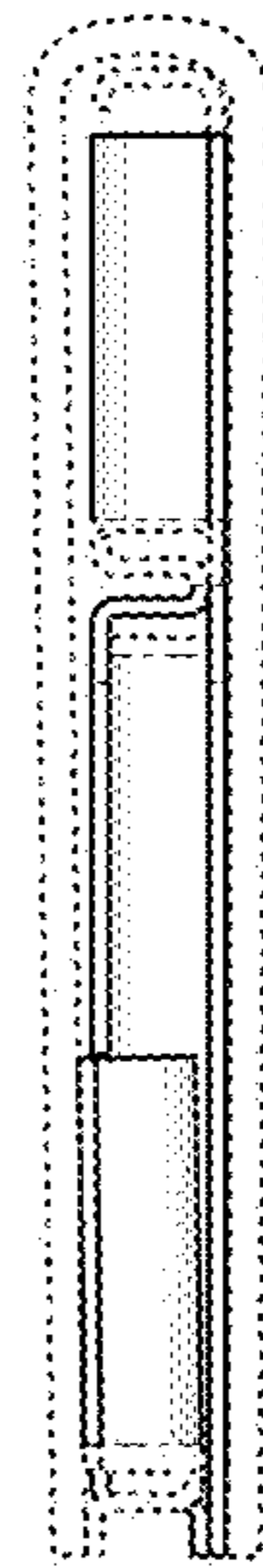


1.14

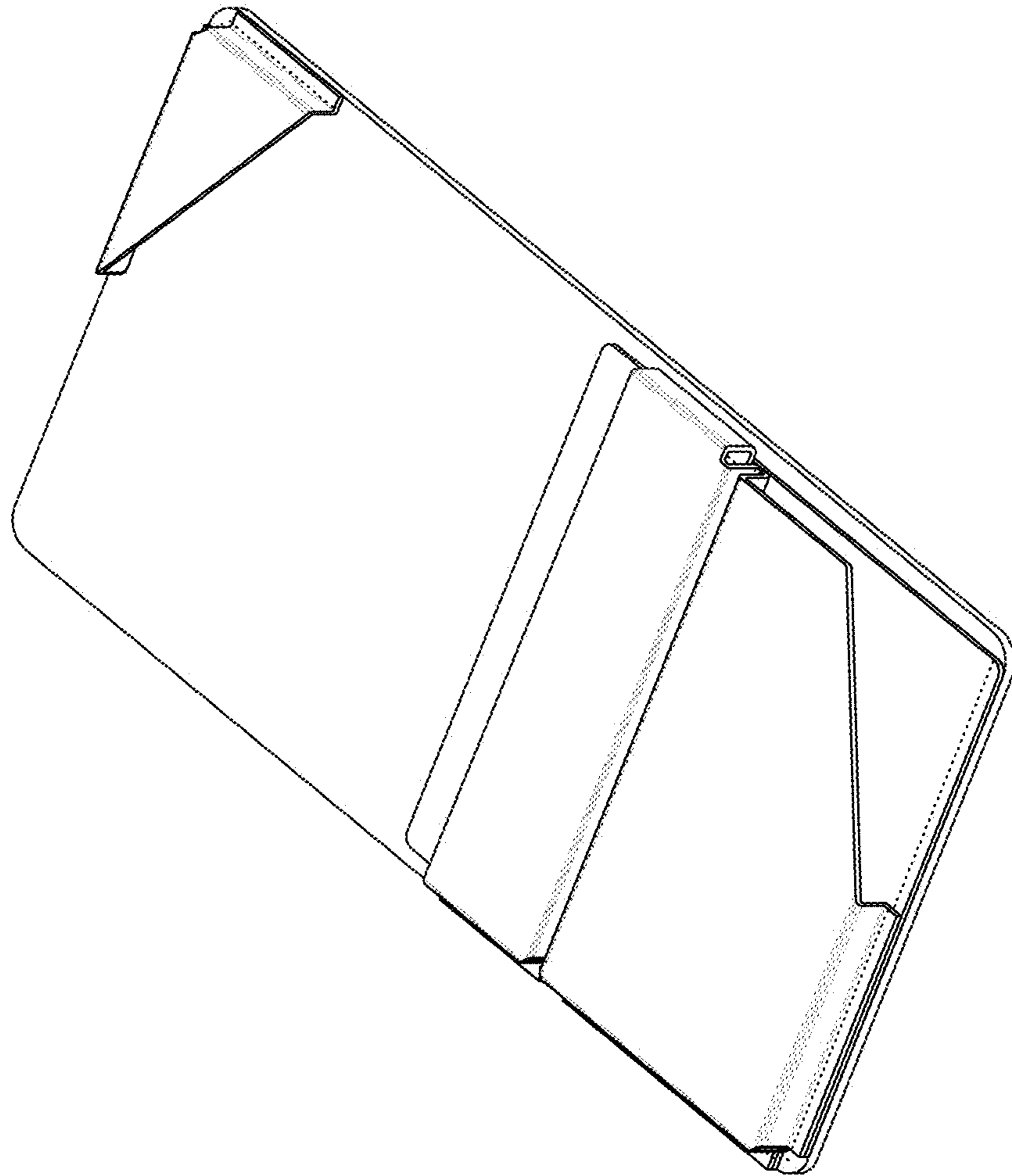




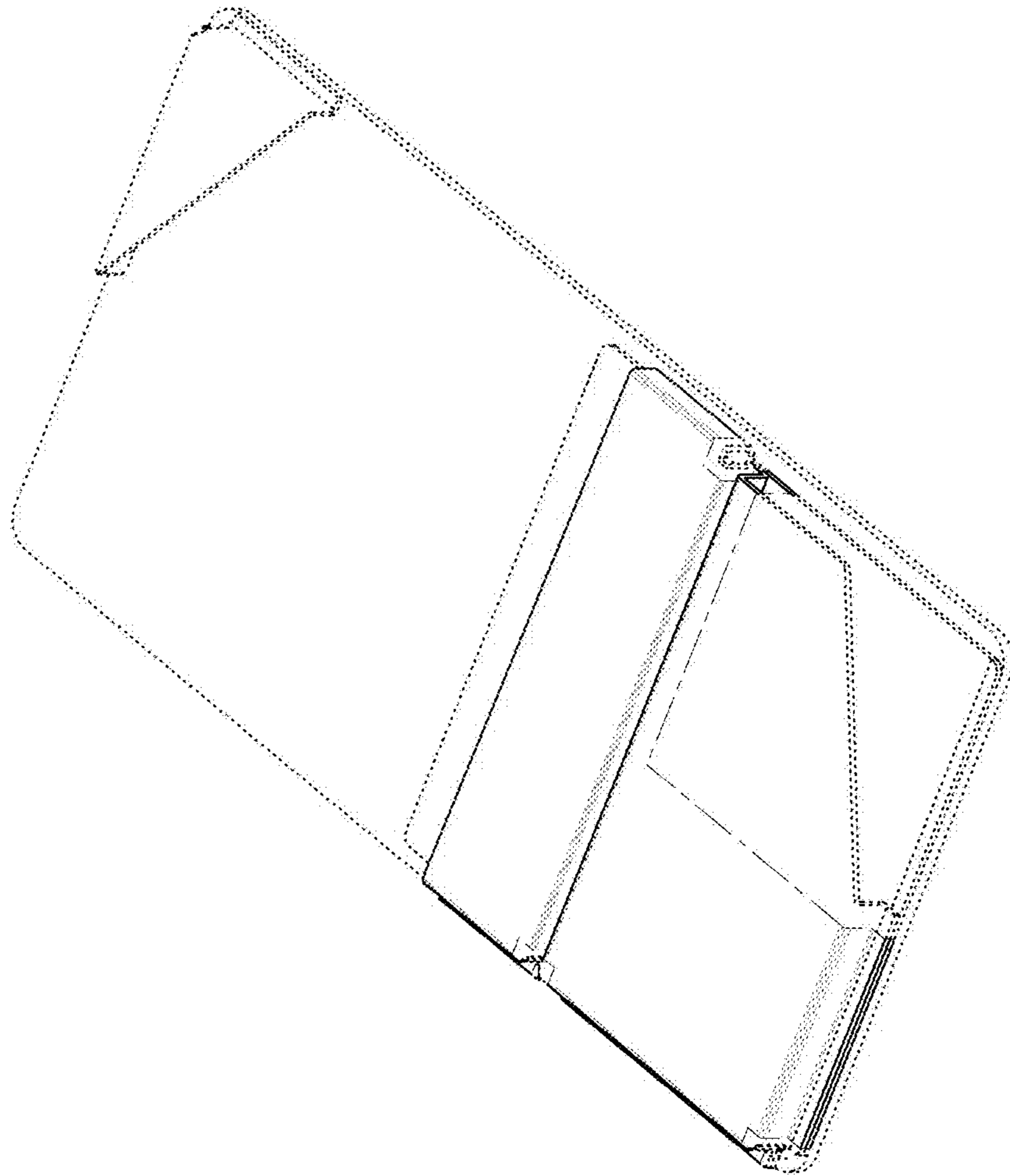
1.15



1.16

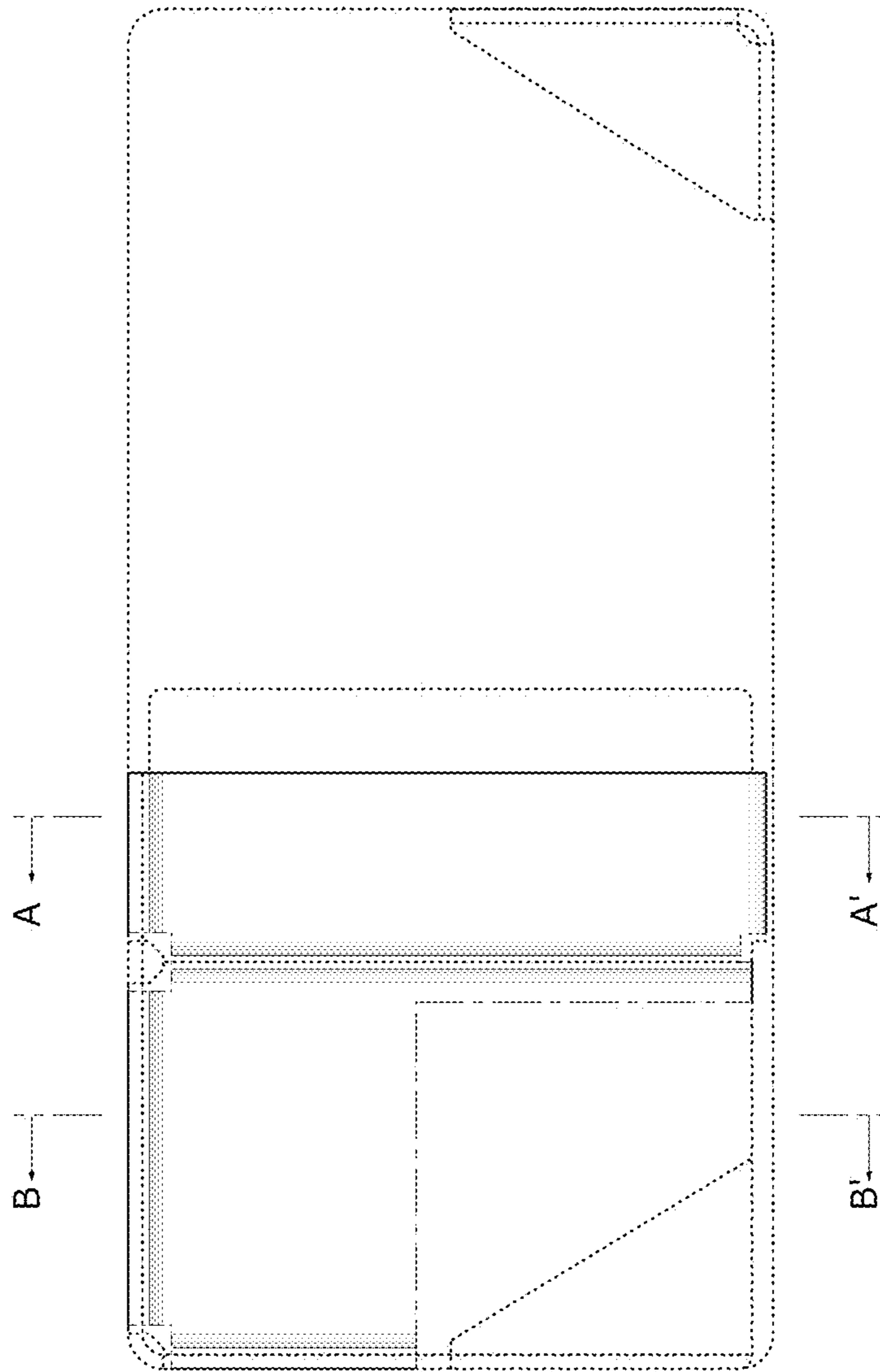


1.17



2.1

2.2



2.3



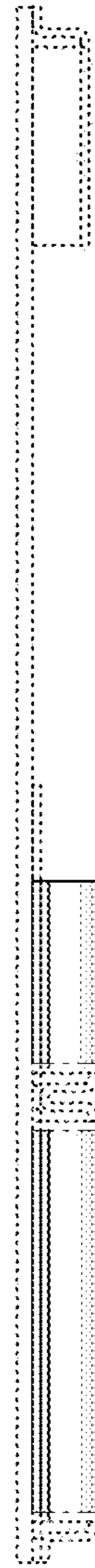




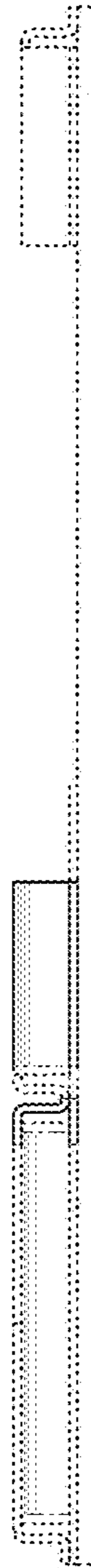
2.5

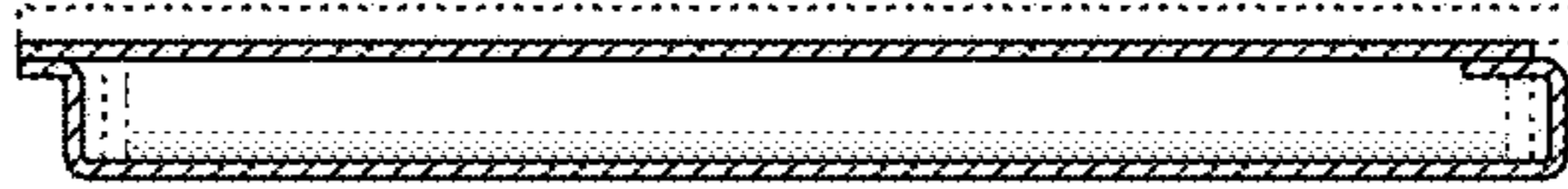


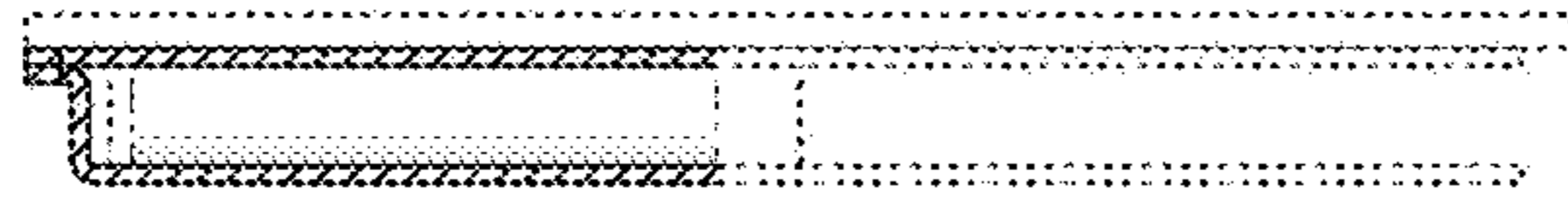
2.6



2.7

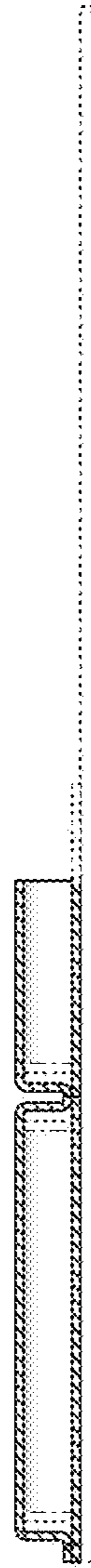


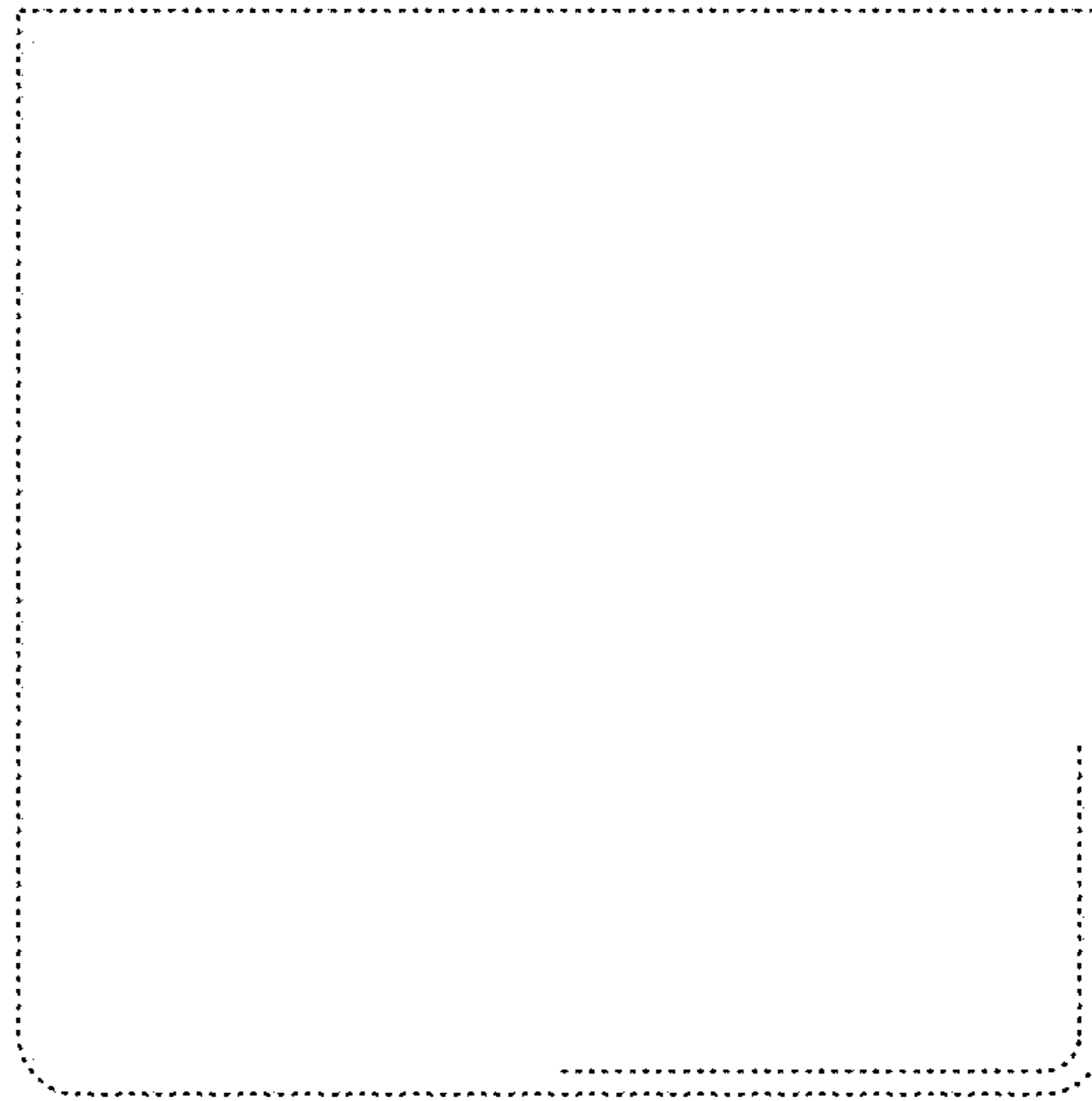




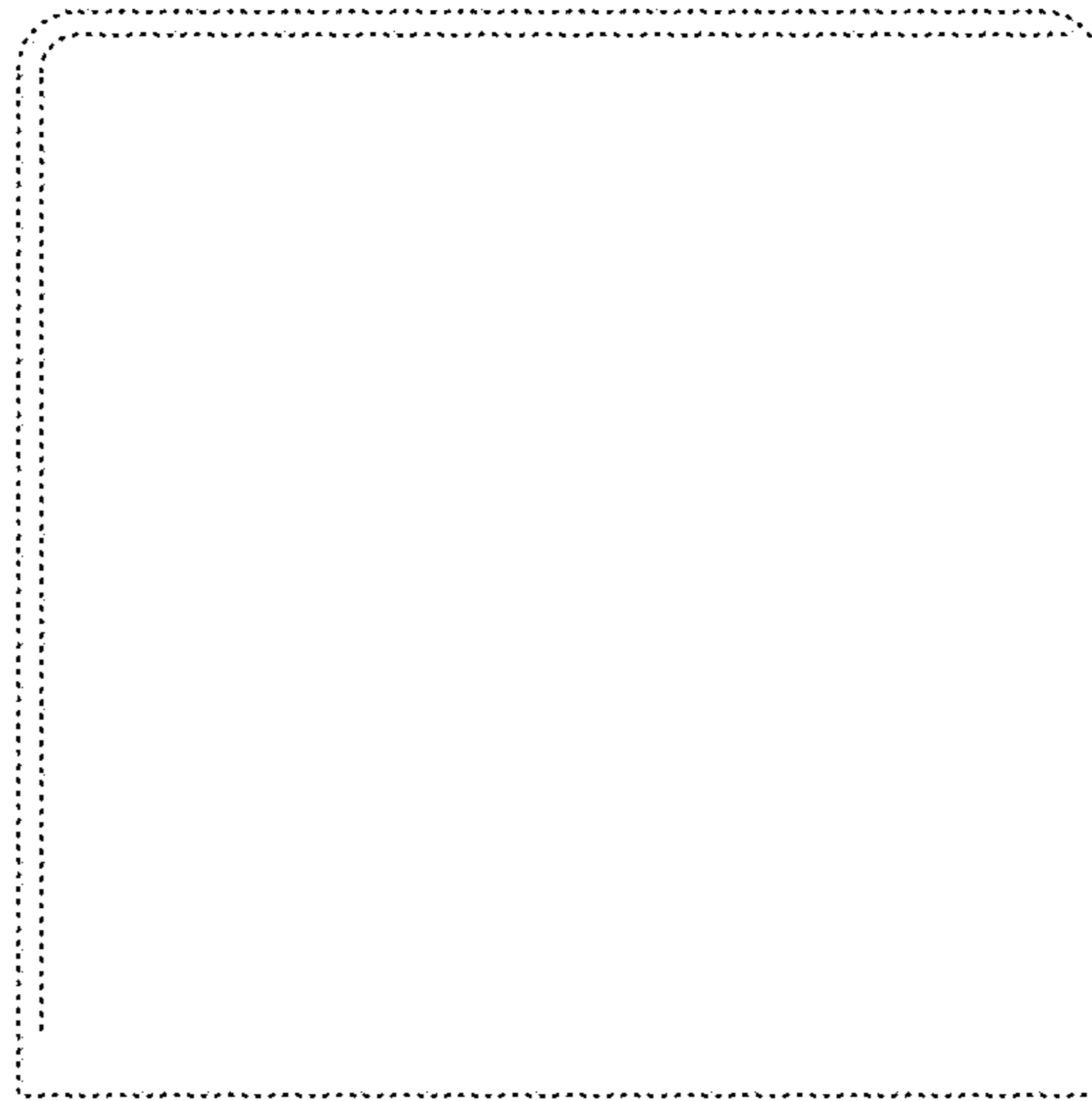
2.9

2.10





2.11

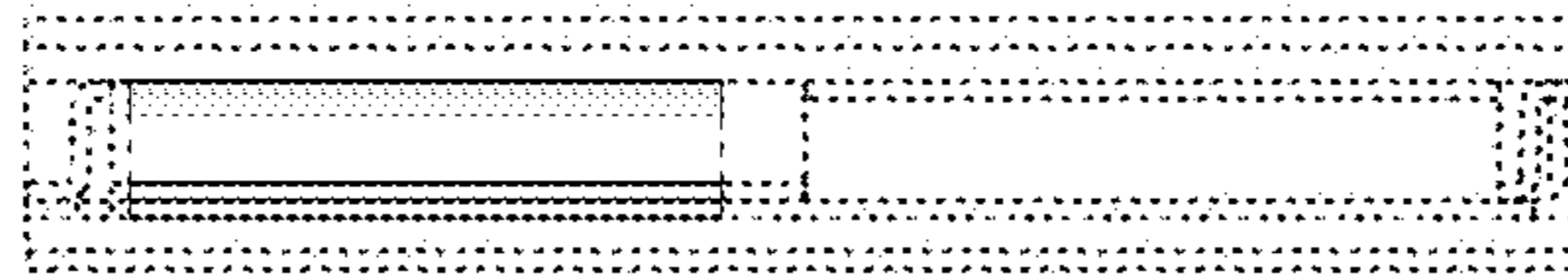


2.12

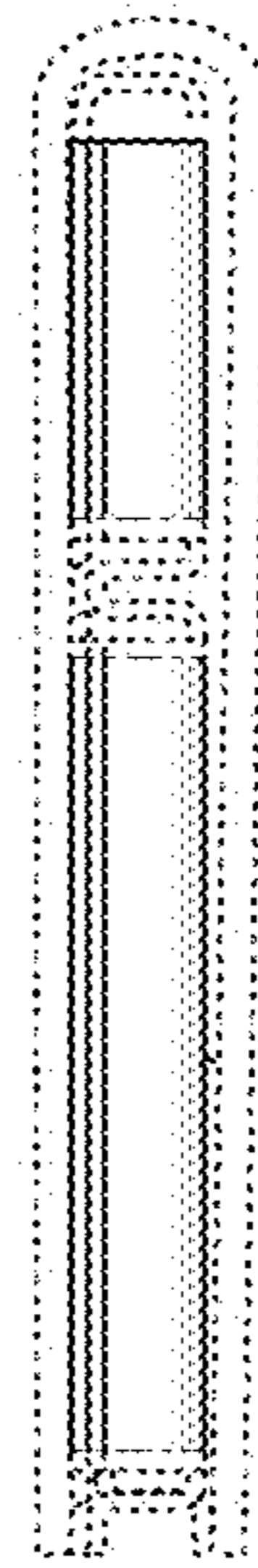


2.13

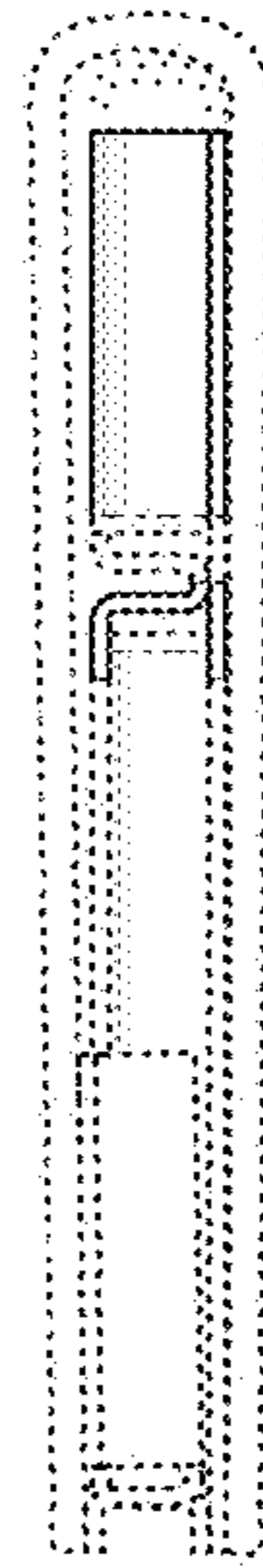




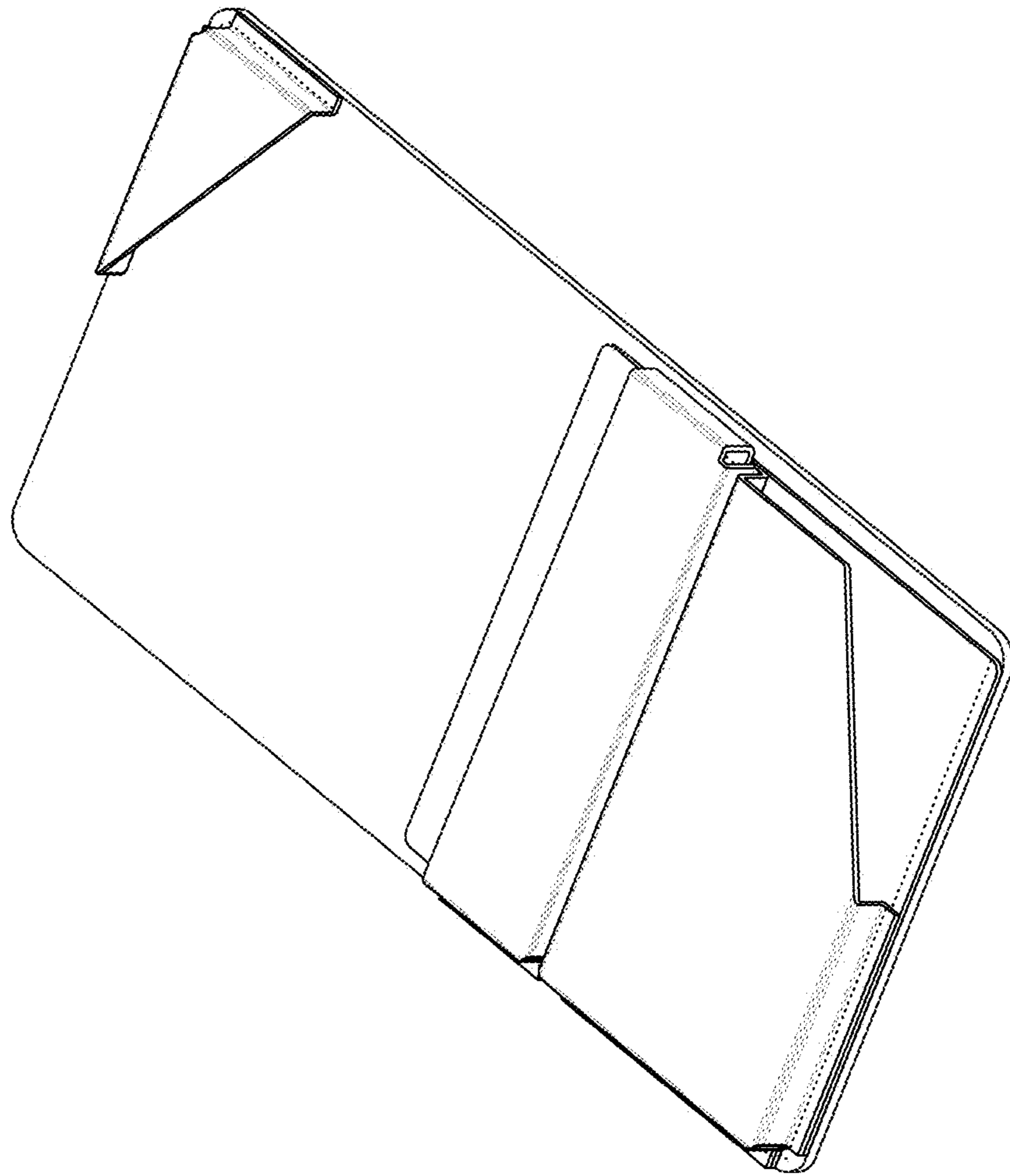
2.14



2.15



2.16



2.17