



US00D948206S

(12) **United States Design Patent** (10) **Patent No.:** **US D948,206 S**
Bettinger et al. (45) **Date of Patent:** **** Apr. 12, 2022**

(54) **WALLET**

(71) Applicants: **James Edward Bettinger**, Lake Arrowhead, CA (US); **Jason James Bettinger**, Rancho Santa Margarita, CA (US)

(72) Inventors: **James Edward Bettinger**, Lake Arrowhead, CA (US); **Jason James Bettinger**, Rancho Santa Margarita, CA (US)

(**) Term: **15 Years**

(21) Appl. No.: **29/741,299**

(22) Filed: **Jul. 10, 2020**

(51) **LOC (13) Cl.** **03-01**

(52) **U.S. Cl.**
USPC **D3/247**

(58) **Field of Classification Search**
USPC D3/47, 249–250, 253, 300, 303, 247;
D14/250–253; D19/3
CPC A45C 11/182; A45C 1/06; B42D 15/045;
B65D 27/00
See application file for complete search history.

(56) **References Cited**

U.S. PATENT DOCUMENTS

1,458,829	A *	6/1923	Kackley	B65D 27/08 229/72
3,540,646	A *	11/1970	Kizler	B65D 27/08 229/72
D272,016	S *	1/1984	Blair	D3/208
D285,938	S *	9/1986	Ventres, Jr.	402/79
4,796,750	A *	1/1989	Inghram	A45C 1/06 150/131
D299,888	S *	2/1989	Maxwell	D3/303
D312,656	S *	12/1990	Huber	D19/3
D372,046	S *	7/1996	Gibson	D19/3
D433,808	S *	11/2000	Moorhouse, Sr.	D3/303

D509,955	S *	9/2005	Williams	D3/247
D533,718	S *	12/2006	Goldberg	D3/303
D590,440	S *	4/2009	Taute	D19/3
D627,786	S *	11/2010	Hsia	D14/435

(Continued)

Primary Examiner — Jennifer L Watkins
Assistant Examiner — Samantha Lynne Brodowski

(57) **CLAIM**

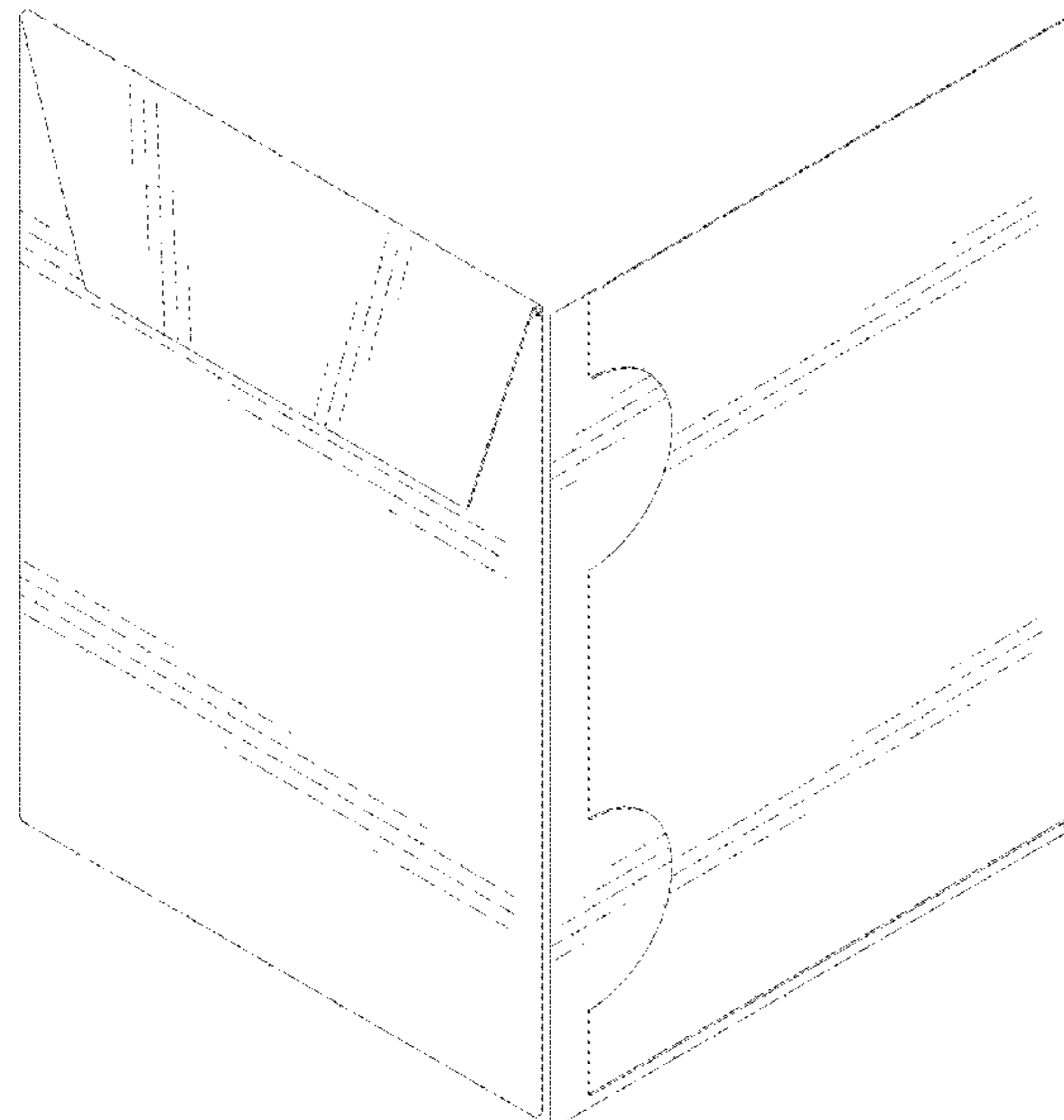
The ornamental design for a wallet, as shown and described.

DESCRIPTION

FIG. 1 is a top perspective view of a wallet showing our new design;
 FIG. 2 is a bottom perspective view thereof;
 FIG. 3 is a front elevation view thereof;
 FIG. 4 is a rear elevation view thereof;
 FIG. 5 is a top plan view thereof;
 FIG. 6 is a bottom plan view thereof;
 FIG. 7 is a right elevation view thereof;
 FIG. 8 is a left elevation view thereof;
 FIG. 9 is another reduced top perspective view thereof, with the wallet shown in an open position;
 FIG. 10 is a reduced perspective view of the wallet in FIG. 1, shown in an unfolded, flat position;
 FIG. 11 is a front elevation view thereof;
 FIG. 12 is a rear elevation view thereof;
 FIG. 13 is a top plan view thereof;
 FIG. 14 is a bottom plan view thereof;
 FIG. 15 is a right elevation view thereof; and,
 FIG. 16 is a left elevation view thereof.

The broken lines on claimed surfaces in FIGS. 10-12 depict fold lines that are environmental structure and form no part of the claim. The broken lines in FIGS. 10-12 adjacent to and around unshaded surfaces depict adhesive portions that are environmental structure and form no part of the claim. The broken lines in FIGS. 10-16 depict truncated triangular tabs that are environmental structure and form no part of the claim.

1 Claim, 16 Drawing Sheets



(56)

References Cited

U.S. PATENT DOCUMENTS

D630,016 S * 1/2011 Rutjes D3/303
D677,053 S * 3/2013 Lyons D3/300
D685,843 S * 7/2013 Glass D19/3
8,567,460 B1 * 10/2013 Lentsch A45C 11/182
150/147
D723,799 S * 3/2015 Glass D3/247
D728,683 S * 5/2015 Glass D19/3
D734,390 S * 7/2015 Christensen D19/26
D836,715 S * 12/2018 Wang D19/3
D860,311 S * 9/2019 Sindo D19/26
D866,963 S * 11/2019 Burko D3/247
2009/0266724 A1 * 10/2009 Norman A45C 11/182
206/232
2018/0006676 A1 * 1/2018 Zavala A45C 11/321

* cited by examiner

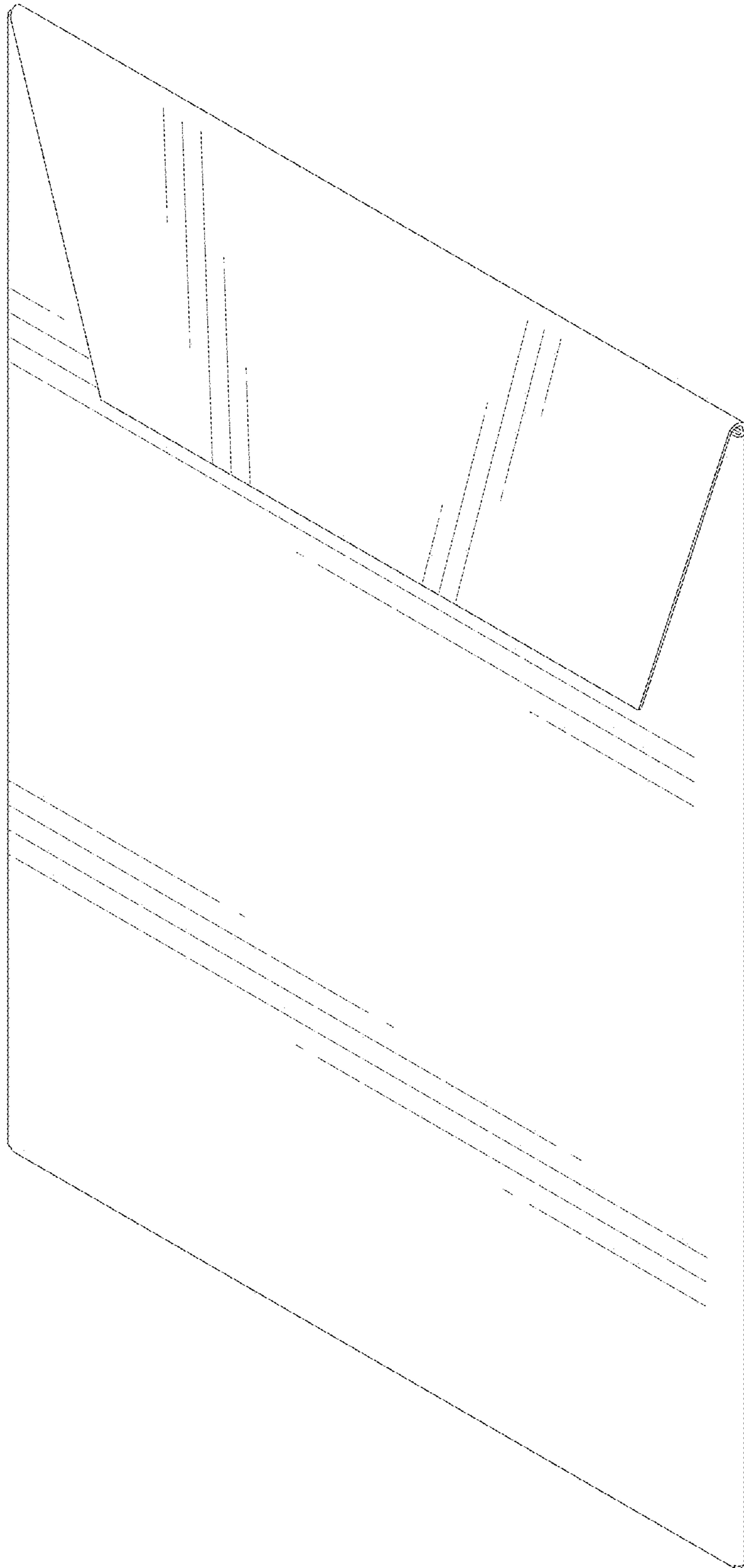


FIG. 1

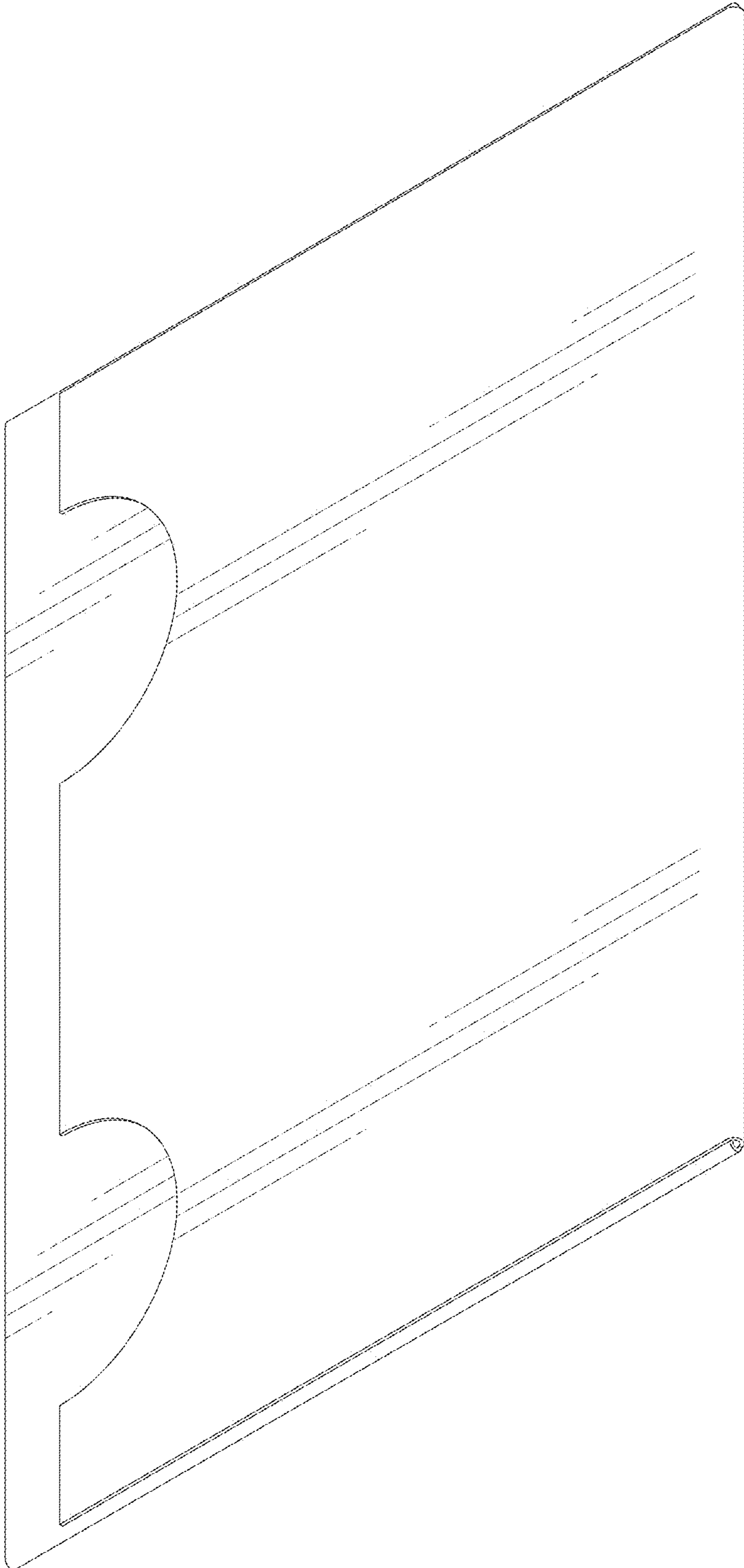


FIG. 2

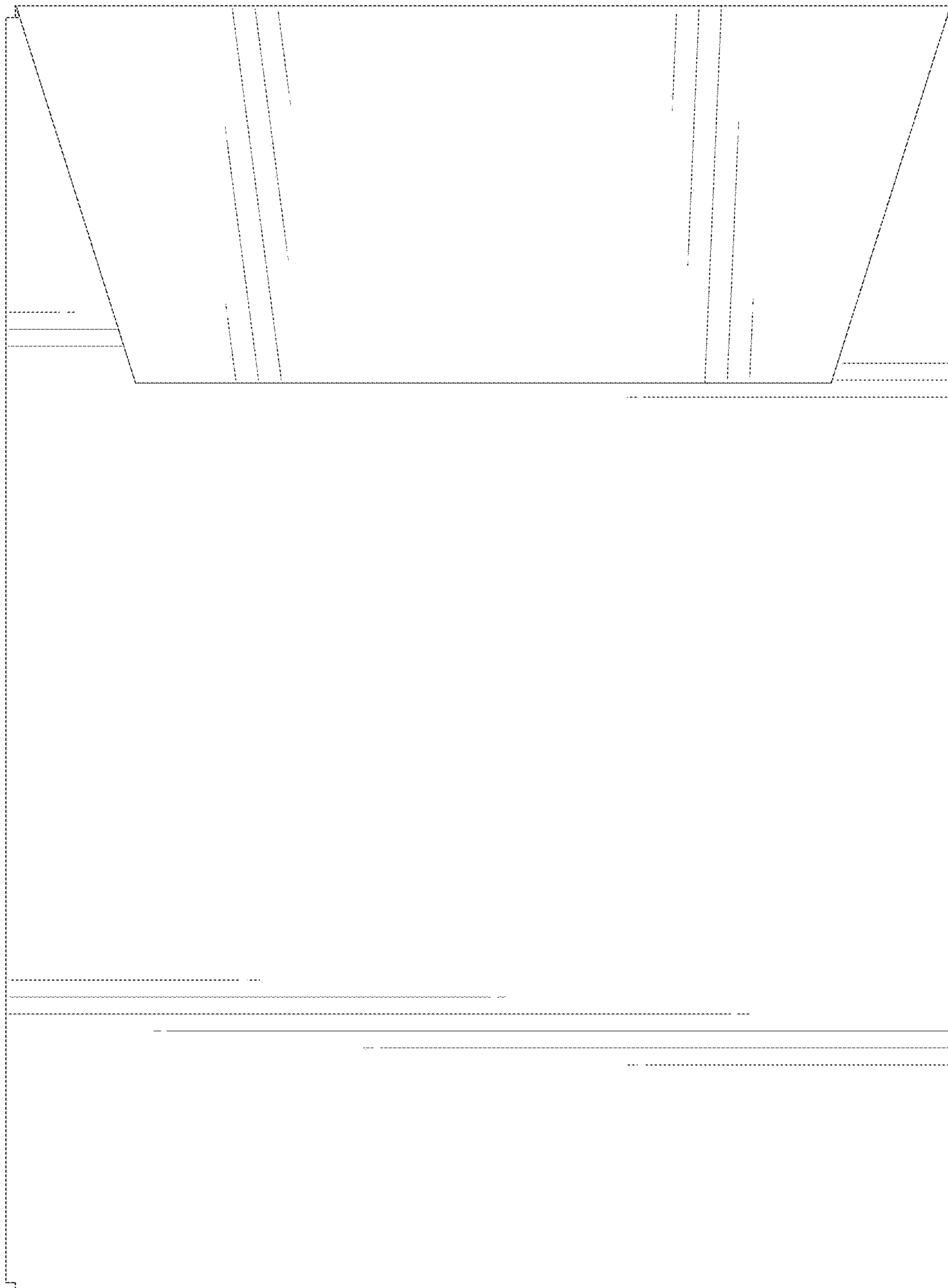


FIG. 3

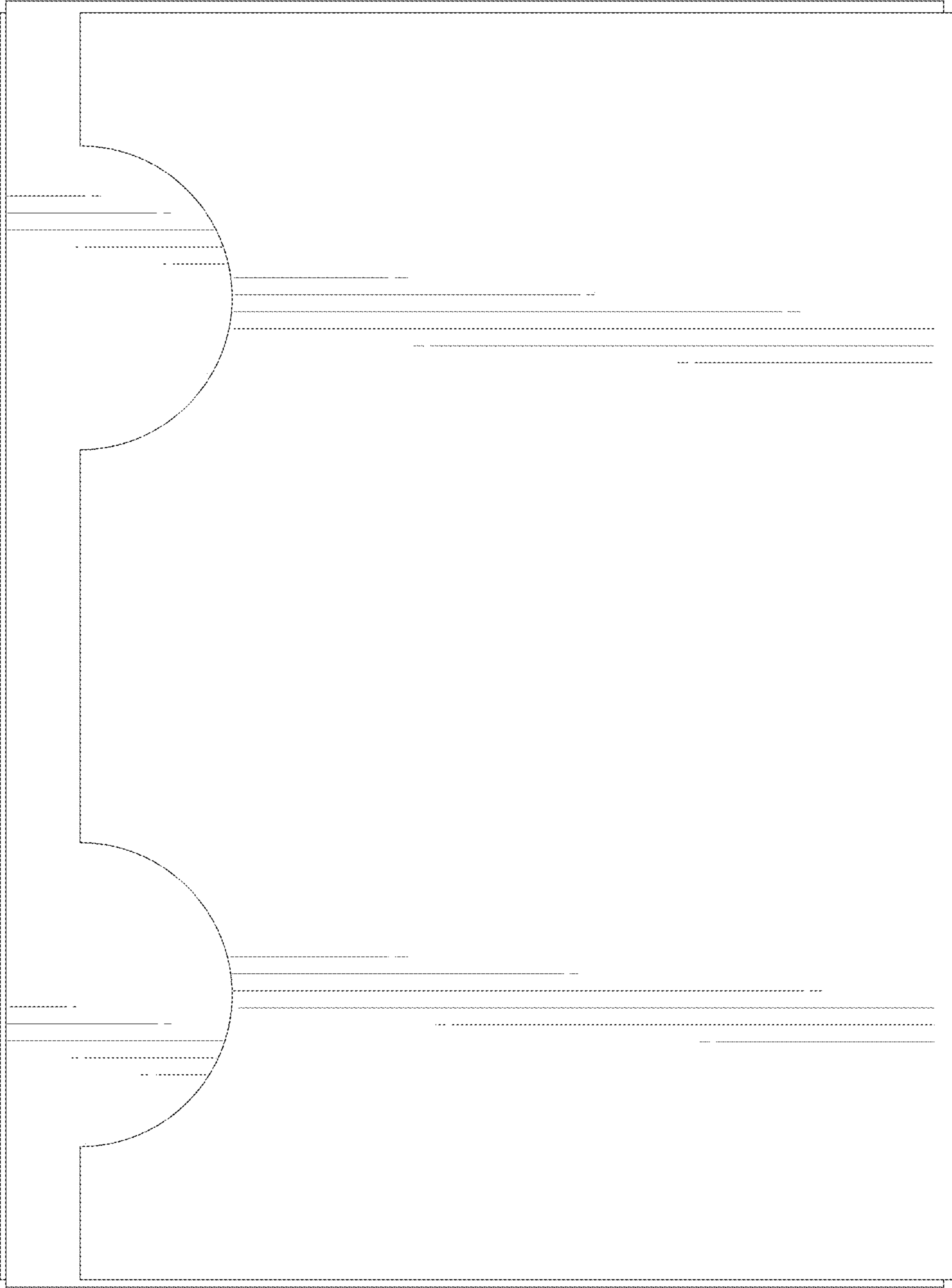


FIG. 4

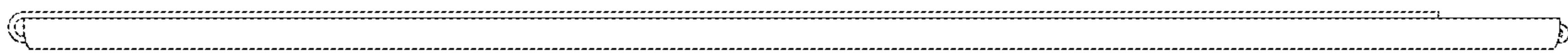


FIG. 5

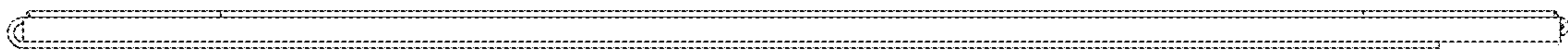


FIG. 6

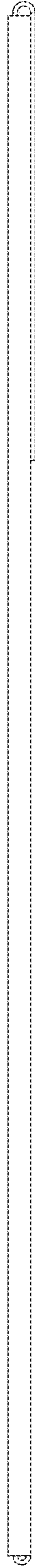


FIG. 7

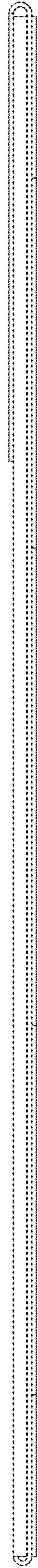


FIG. 8

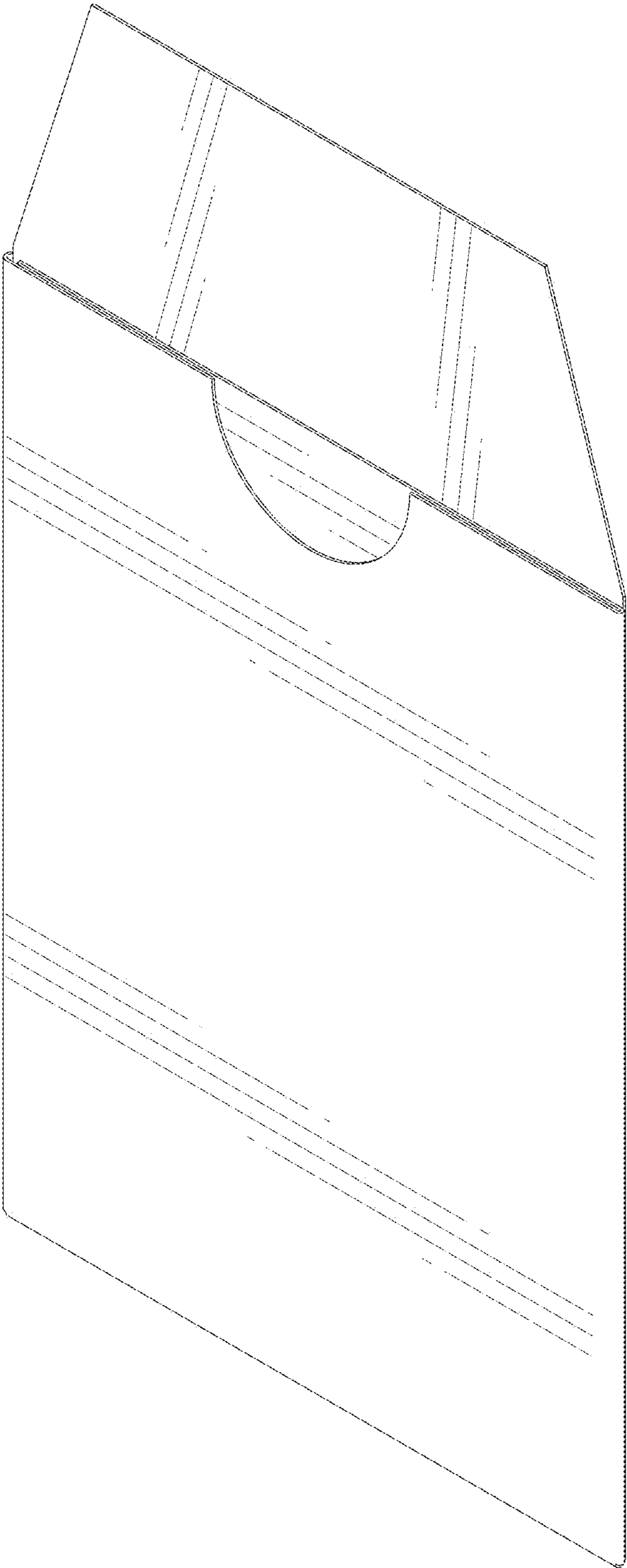


FIG. 9

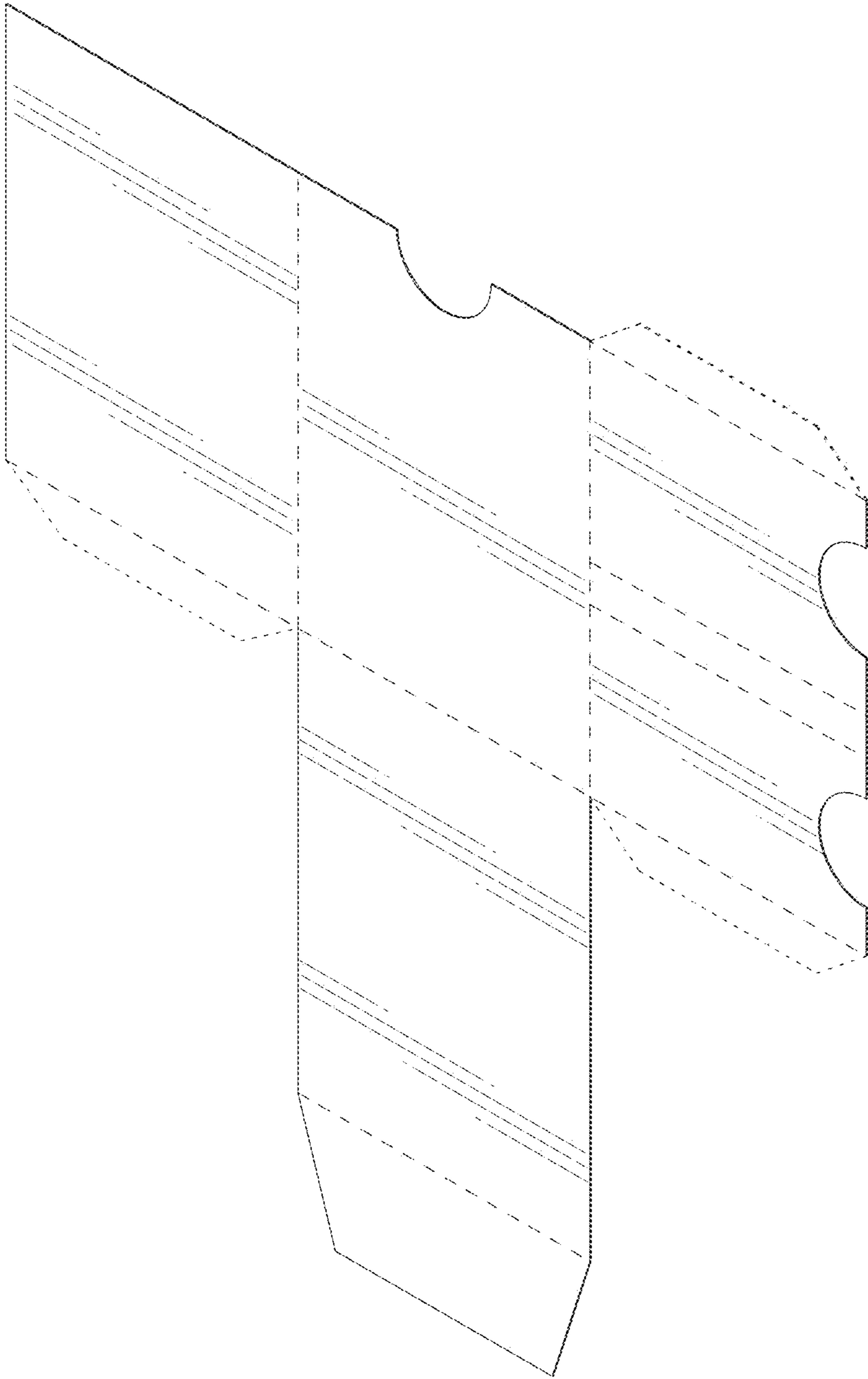


FIG. 10

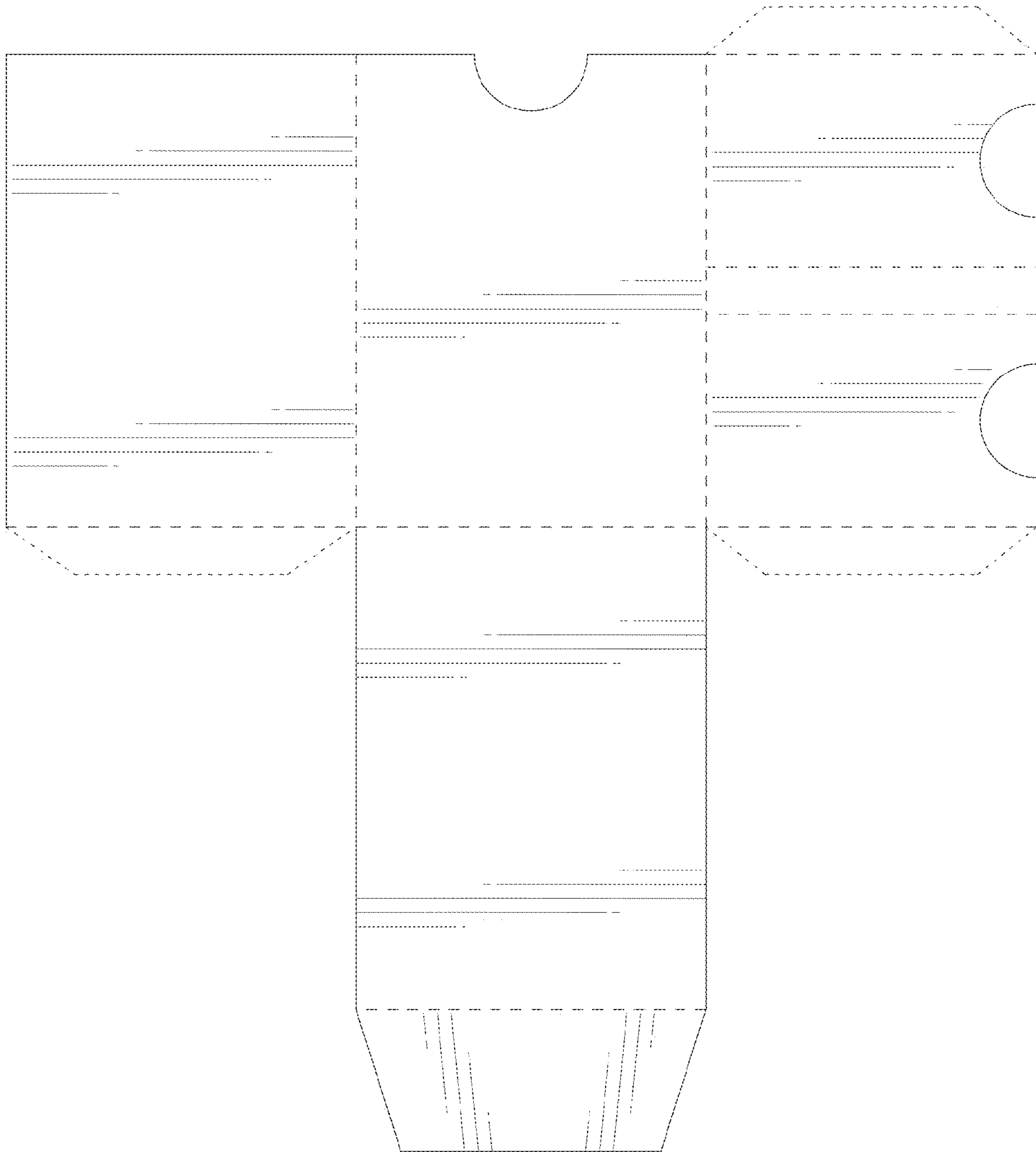


FIG. 11

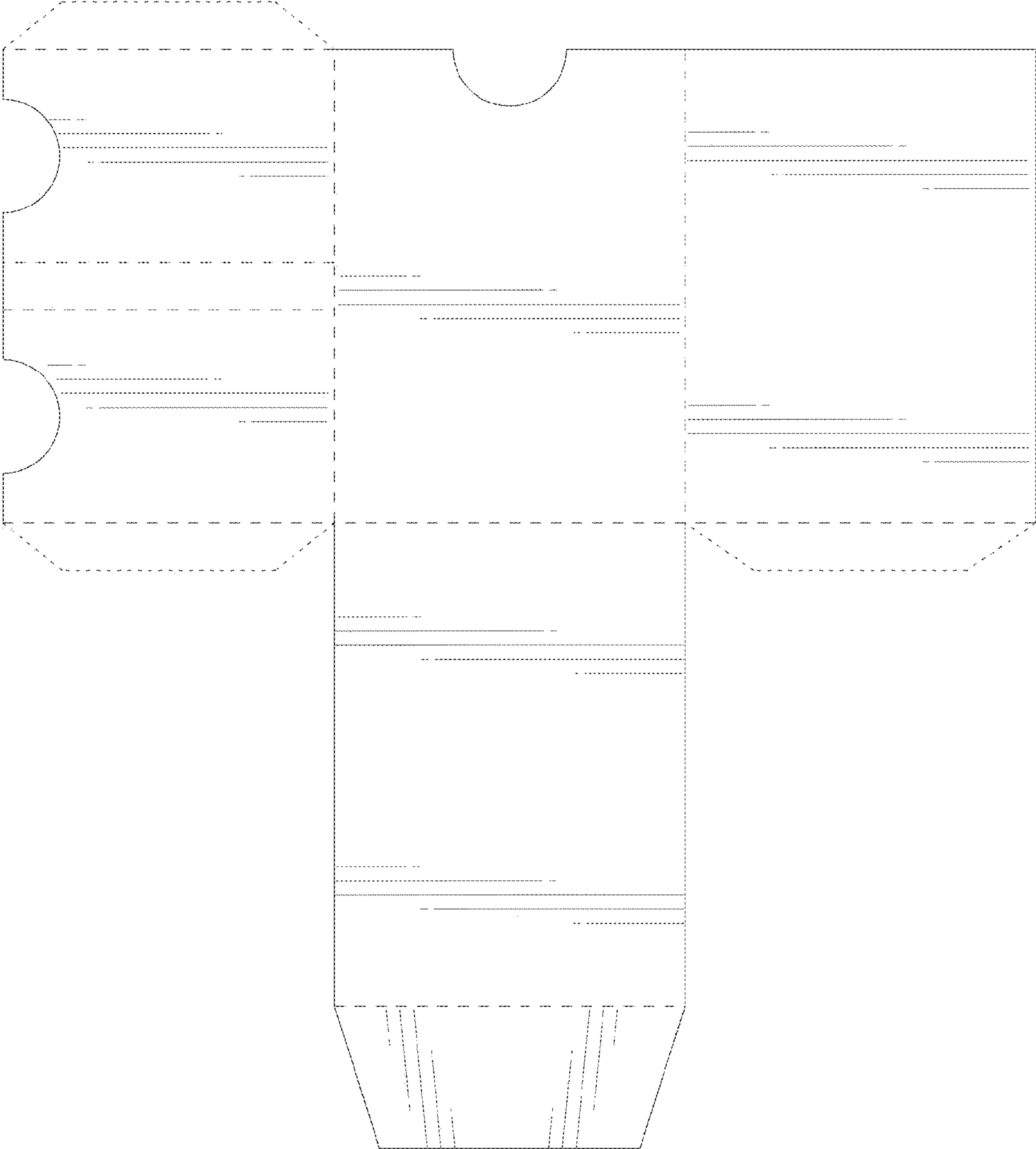


FIG. 12



FIG. 13

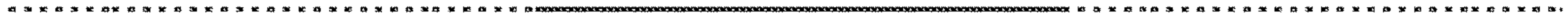


FIG. 14



FIG. 15



FIG. 16