



US00D948205S

(12) **United States Design Patent** (10) **Patent No.:** **US D948,205 S**  
**Lu** (45) **Date of Patent:** **\*\* Apr. 12, 2022**

(54) **MAGAZINE POUCHES**  
(71) Applicant: **Rui Lu**, Shenzhen (CN)  
(72) Inventor: **Rui Lu**, Shenzhen (CN)  
(73) Assignee: **Shenzhen Feilagam Technology Co., Ltd.**, Shenzhen (CN)  
(\*\*) Term: **15 Years**  
(21) Appl. No.: **29/784,095**  
(22) Filed: **May 18, 2021**  
(51) **LOC (13) Cl.** ..... **03-01**  
(52) **U.S. Cl.**  
USPC ..... **D3/224**  
(58) **Field of Classification Search**  
USPC ..... D3/221-225, 254, 262, 303-315;  
D22/108  
CPC ..... A45F 2200/059; A45F 5/02-021; F41C  
33/0236; F41C 33/209; F41C 33/041;  
F41C 33/046; F41C 33/02; F41C 27/00;  
B65D 85/00; F41A 9/63-68; F42B 39/26;  
F42B 39/02  
See application file for complete search history.

6,202,908 B1 \* 3/2001 Groover ..... F42B 39/02  
224/931  
D574,147 S \* 8/2008 Zusman ..... D3/222  
D594,649 S \* 6/2009 Zusman ..... D3/222  
D601,339 S \* 10/2009 Zusman ..... D3/222  
D624,149 S \* 9/2010 Felts ..... D22/199  
D642,793 S \* 8/2011 Rogers ..... F41C 33/02  
D3/222  
D697,711 S \* 1/2014 Stevens, IV ..... D3/221  
8,733,606 B2 \* 5/2014 Felts ..... F42B 39/02  
224/679  
D736,885 S \* 8/2015 Swan ..... D22/108  
D749,843 S \* 2/2016 Faifer ..... D3/262  
(Continued)

**OTHER PUBLICATIONS**

Google search; Google.com; Feb. 2022.\*  
Amazon search; Amazon.com; Feb. 2022.\*

*Primary Examiner* — Mitchell I. Siegel

(57) **CLAIM**

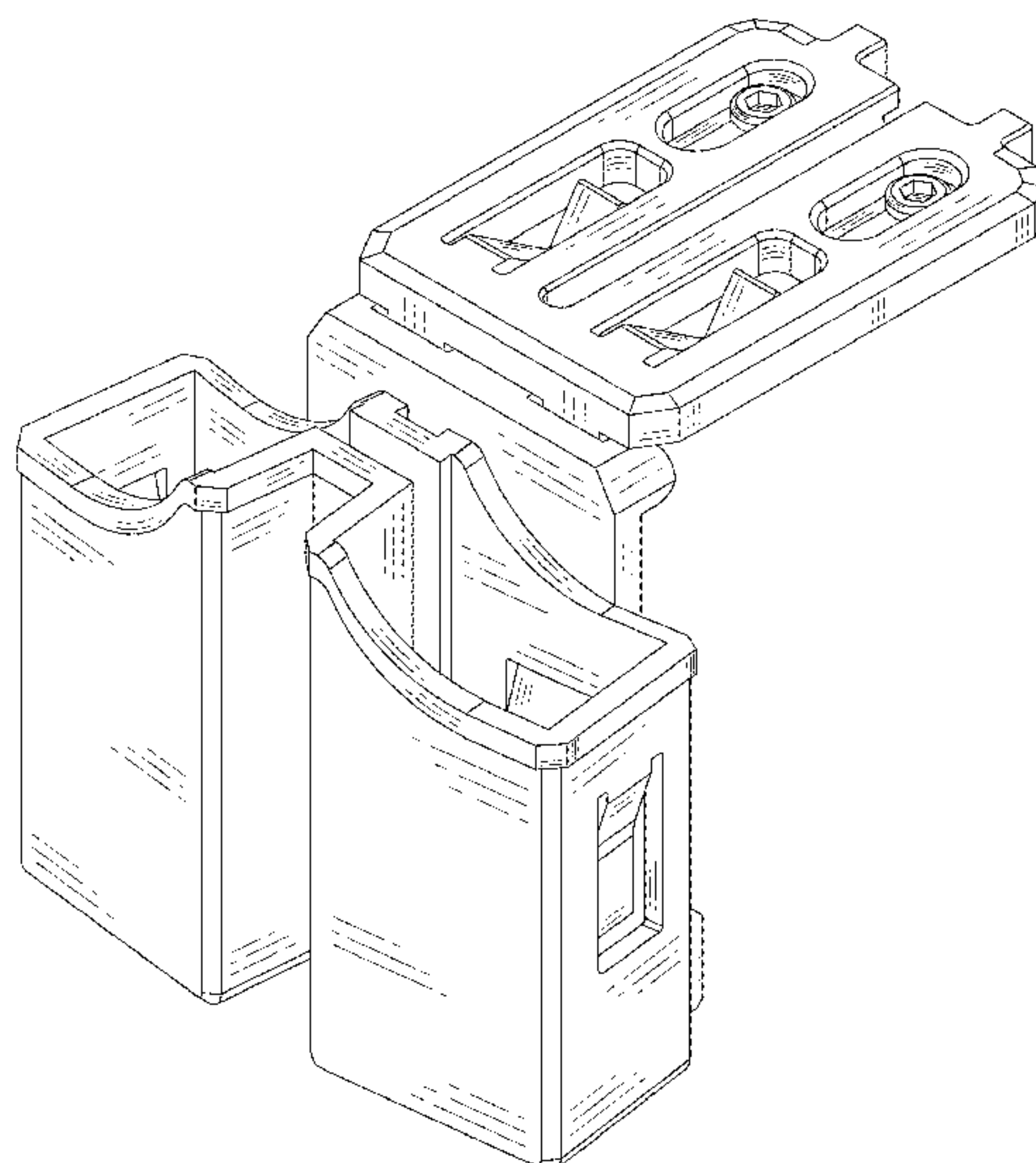
The ornamental design for a magazine pouches, as shown and described.

**DESCRIPTION**

FIG. 1 is a perspective view of a magazine pouches showing my new design;  
FIG. 2 is a front elevational view thereof;  
FIG. 3 is a rear elevational view thereof;  
FIG. 4 is a left side elevational view thereof;  
FIG. 5 is a right side elevational view thereof;  
FIG. 6 is a top plan view thereof;  
FIG. 7 is a bottom plan view thereof; and,  
FIG. 8 is another perspective view in folded condition thereof.  
The broken lines throughout the drawing figures depict portions of the magazine pouches that form no part of the claimed design.

**1 Claim, 8 Drawing Sheets**

(56) **References Cited**  
U.S. PATENT DOCUMENTS  
D286,315 S \* 10/1986 Gregory ..... D3/230  
5,152,442 A \* 10/1992 Gallagher ..... F42B 39/02  
224/931  
5,174,482 A \* 12/1992 Rogers ..... F42B 39/02  
224/679  
5,419,472 A \* 5/1995 Hellweg ..... F41C 33/02  
224/198  
5,484,093 A \* 1/1996 Hellweg ..... F42B 39/02  
224/672  
5,865,357 A \* 2/1999 Goodwin ..... F41C 33/041  
224/667  
D413,644 S \* 9/1999 Carver ..... D22/108  
6,154,997 A \* 12/2000 Aluotto ..... F41C 33/02  
224/931



(56)

**References Cited**

U.S. PATENT DOCUMENTS

D791,901	S *	7/2017	Swan	.....	D22/108
9,791,250	B1 *	10/2017	Pestana	.....	F42B 39/02
D838,475	S *	1/2019	Tang	.....	D3/222
10,197,370	B2 *	2/2019	Zhang	.....	F42B 39/02
D853,109	S *	7/2019	Wilson	.....	D3/222
10,537,167	B2 *	1/2020	Bryant	.....	A45F 5/021
D885,511	S *	5/2020	Zhang	.....	D3/262
2006/0242877	A1 *	11/2006	Clifton	.....	F41A 9/68
					42/49.01
2007/0278269	A1 *	12/2007	Rogers	.....	F42B 39/00
					224/931
2011/0107645	A1 *	5/2011	Faifer	.....	F42B 39/02
					42/90
2013/0082080	A1 *	4/2013	Hellweg	.....	F42B 39/02
					224/672
2013/0248566	A1 *	9/2013	Solomon	.....	A45F 5/02
					224/191
2014/0109455	A1 *	4/2014	Chiang	.....	F41C 27/00
					42/90
2014/0262892	A1 *	9/2014	Orozco	.....	F42B 39/02
					206/424
2017/0343316	A1 *	11/2017	Higdon, Jr.	.....	F41C 33/046
2019/0365064	A1 *	12/2019	Buerck	.....	A45C 3/001

\* cited by examiner

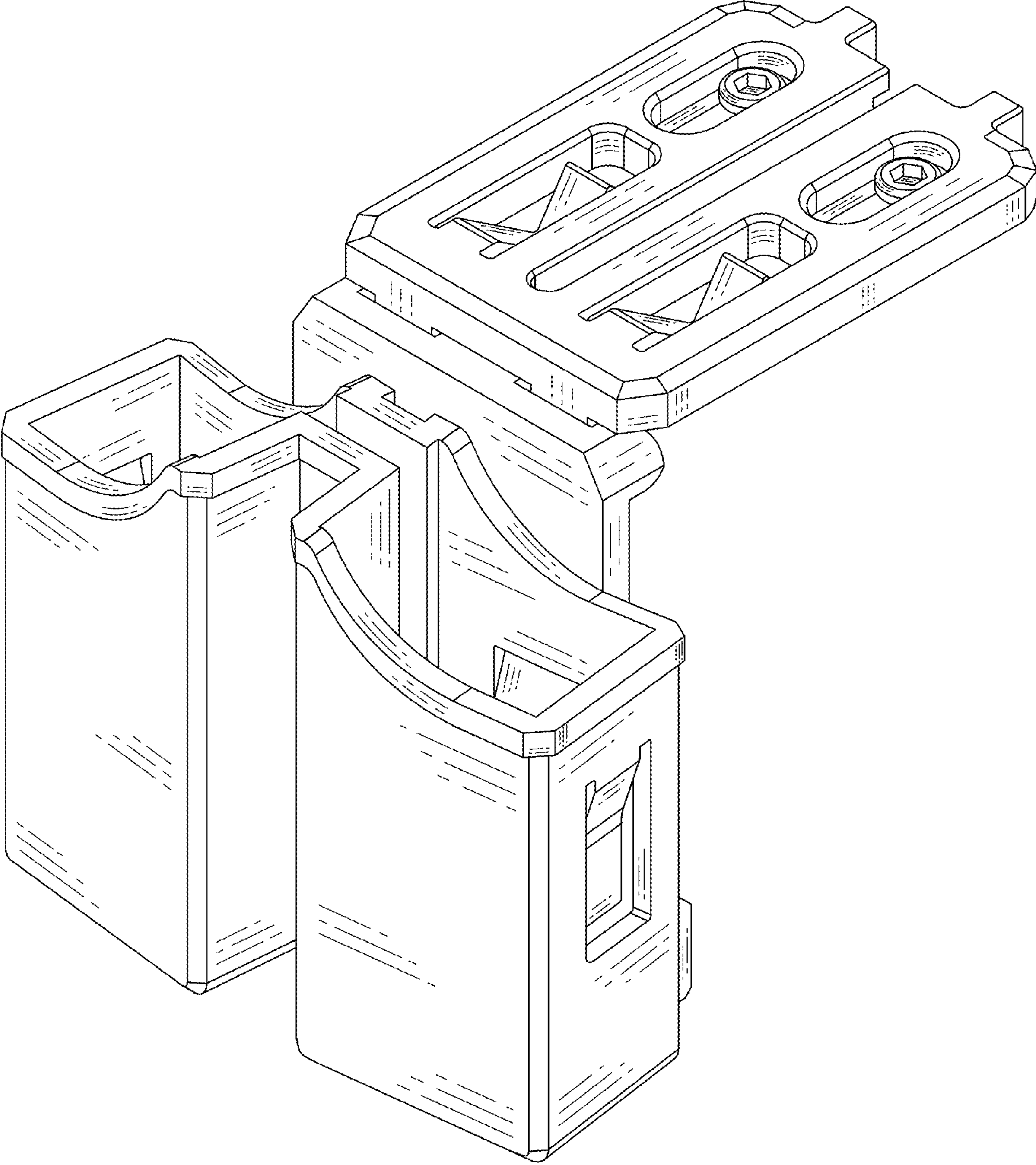


FIG.1

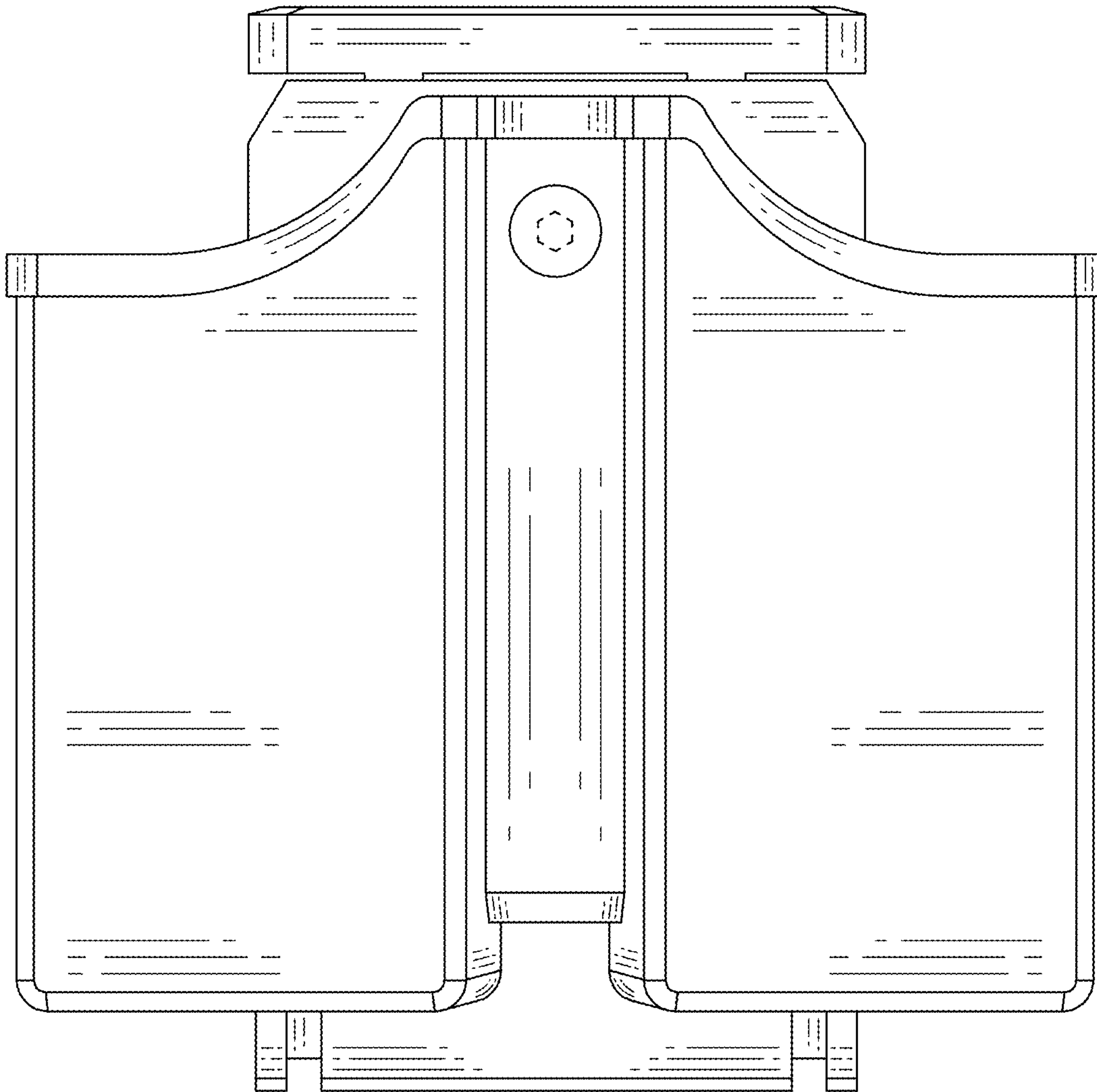


FIG.2



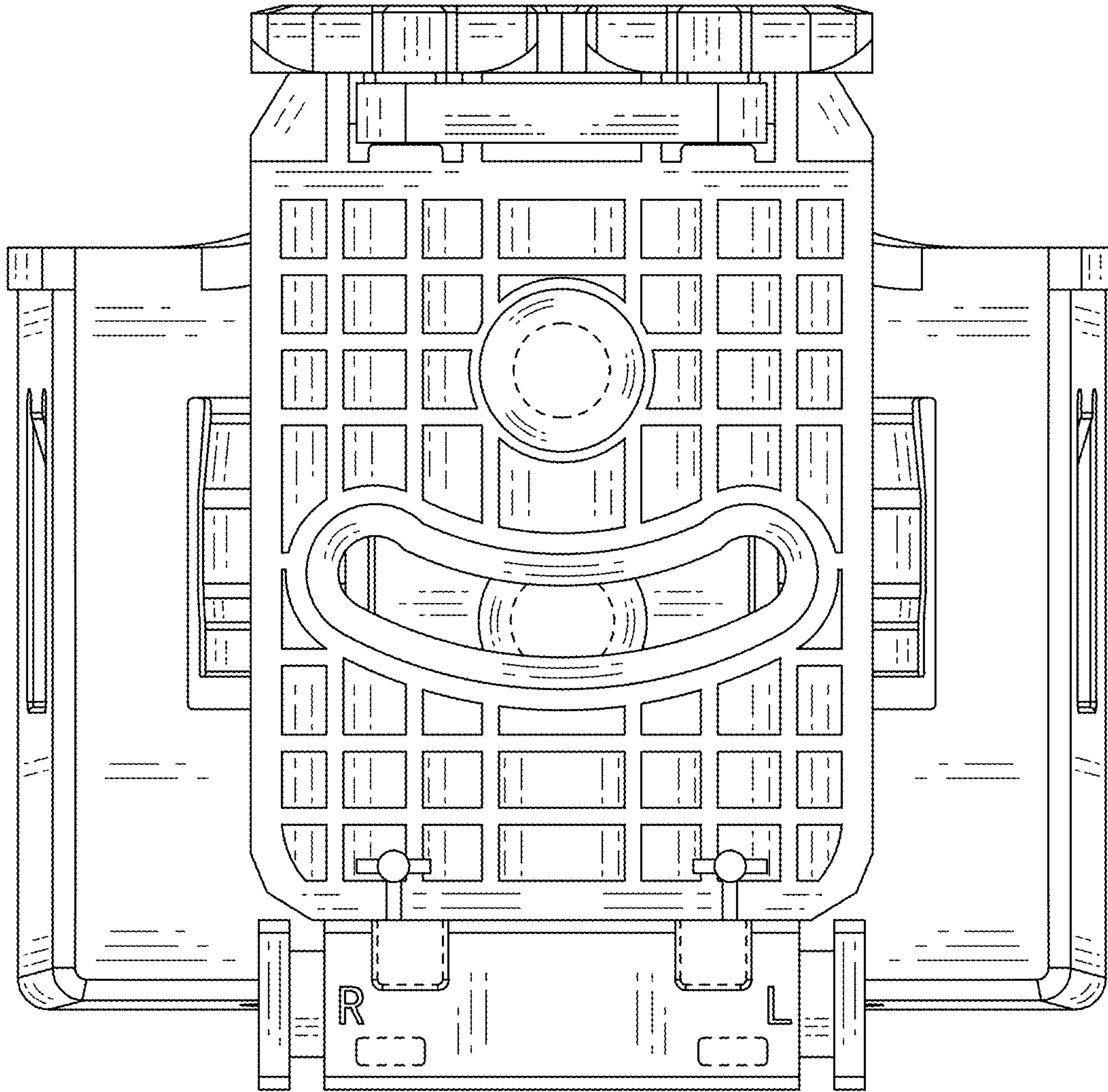


FIG.3

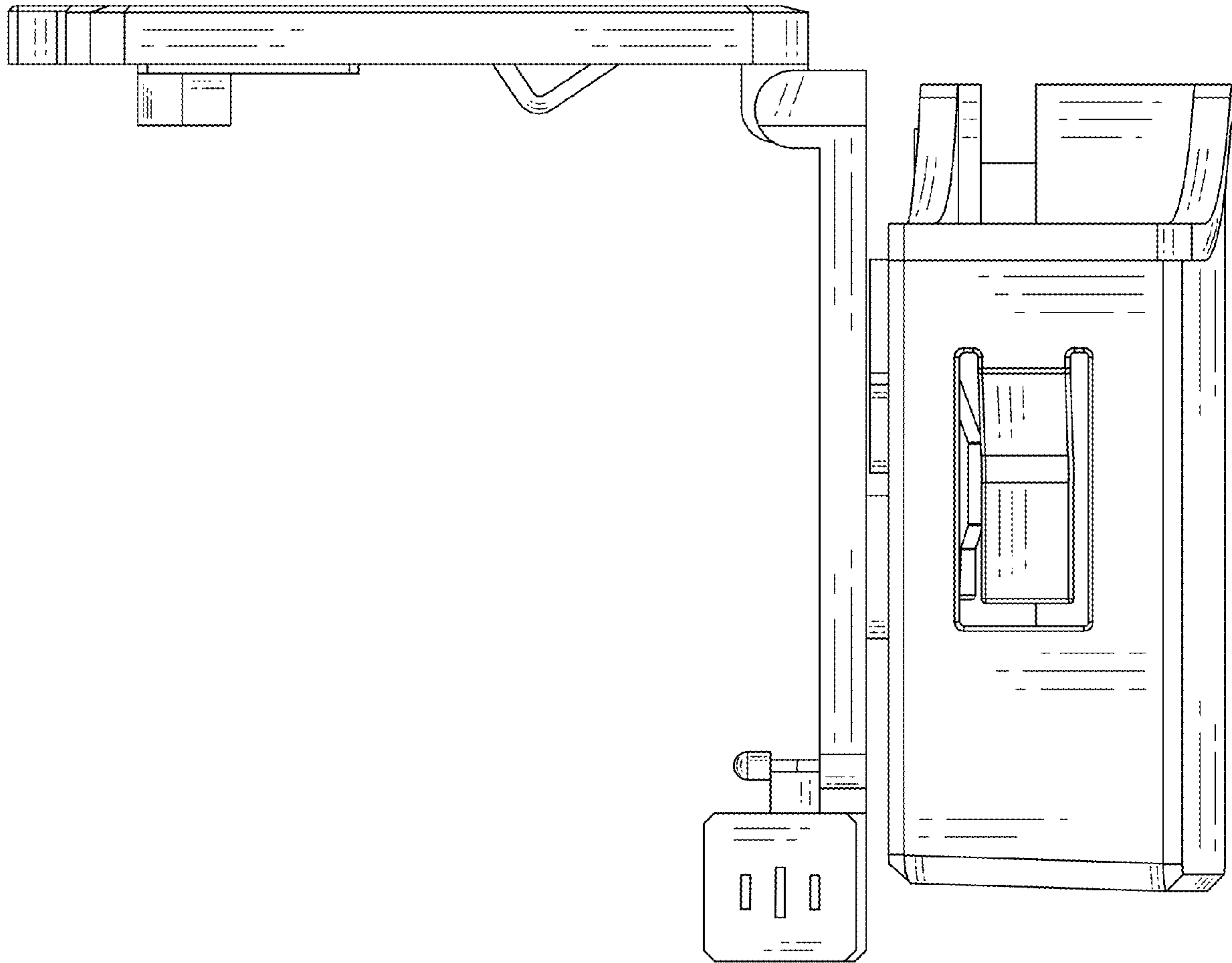


FIG.4

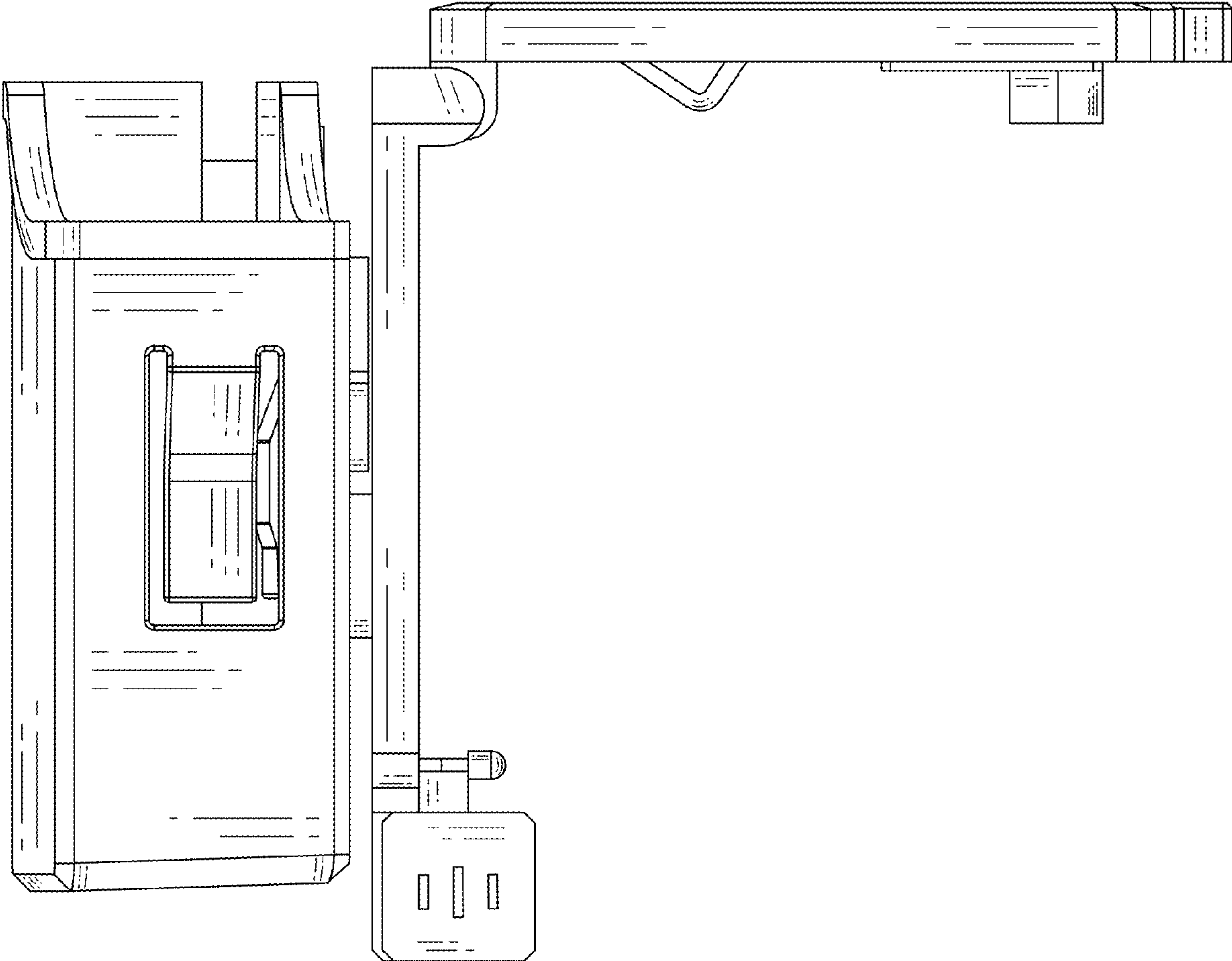


FIG.5

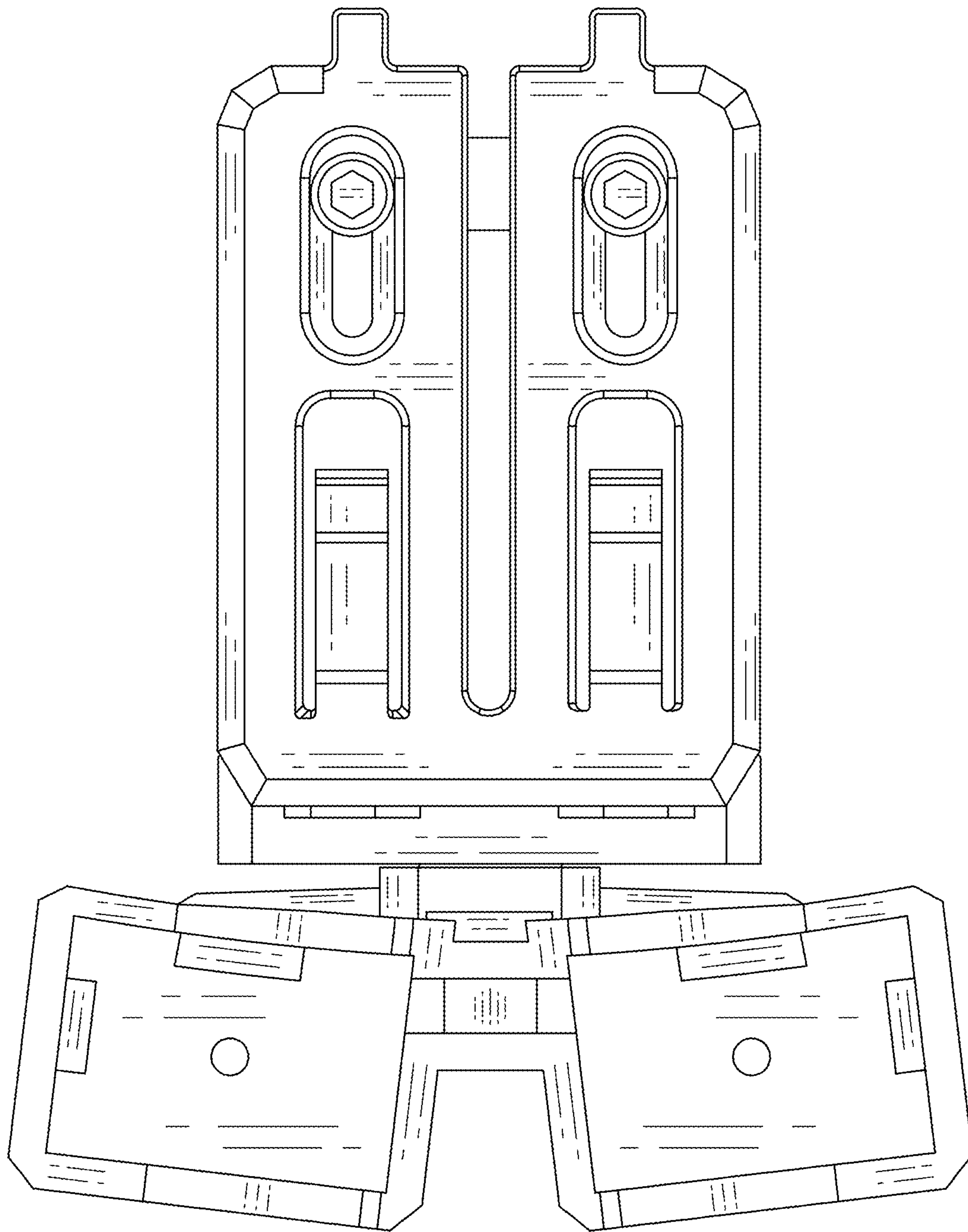


FIG.6



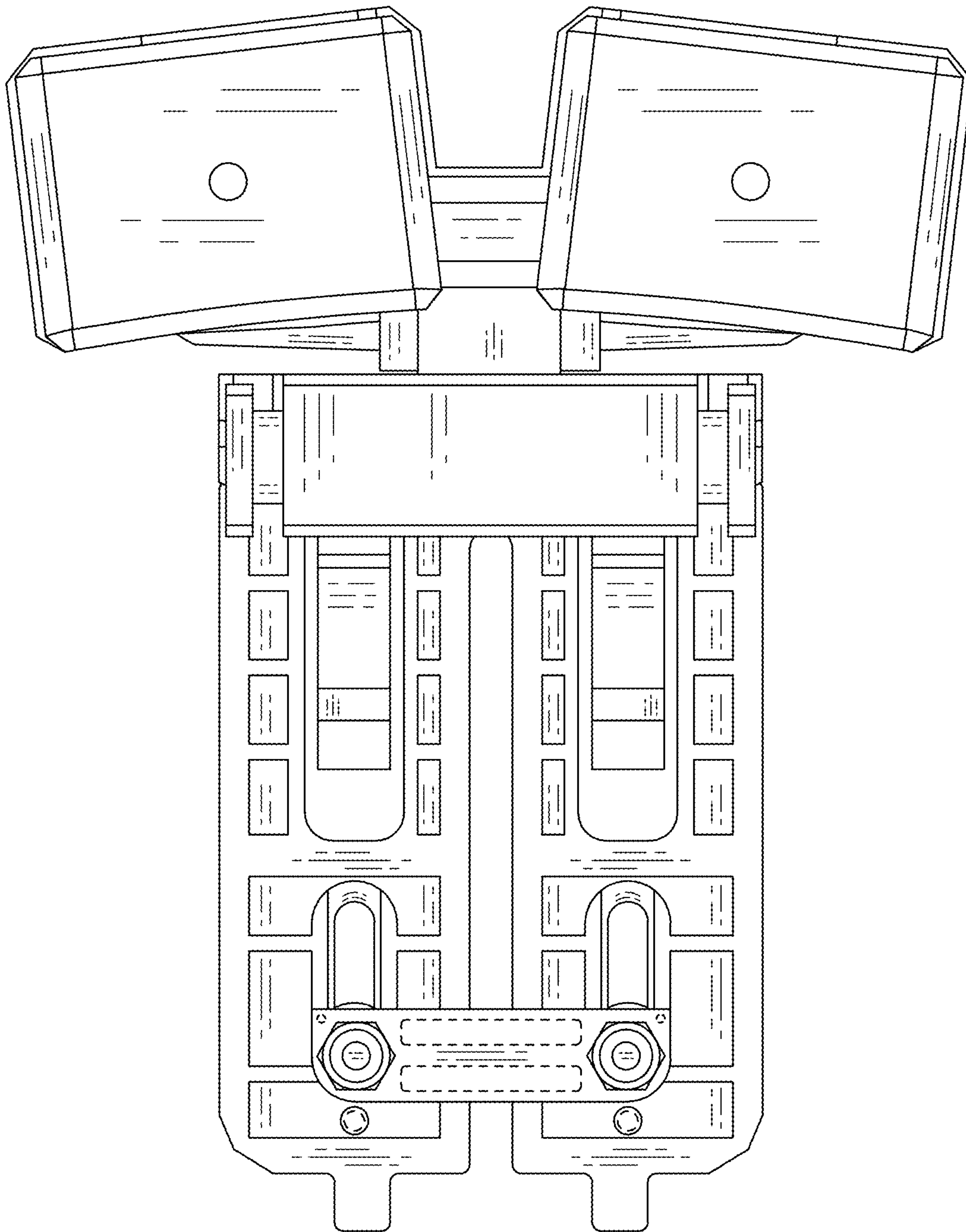


FIG.7

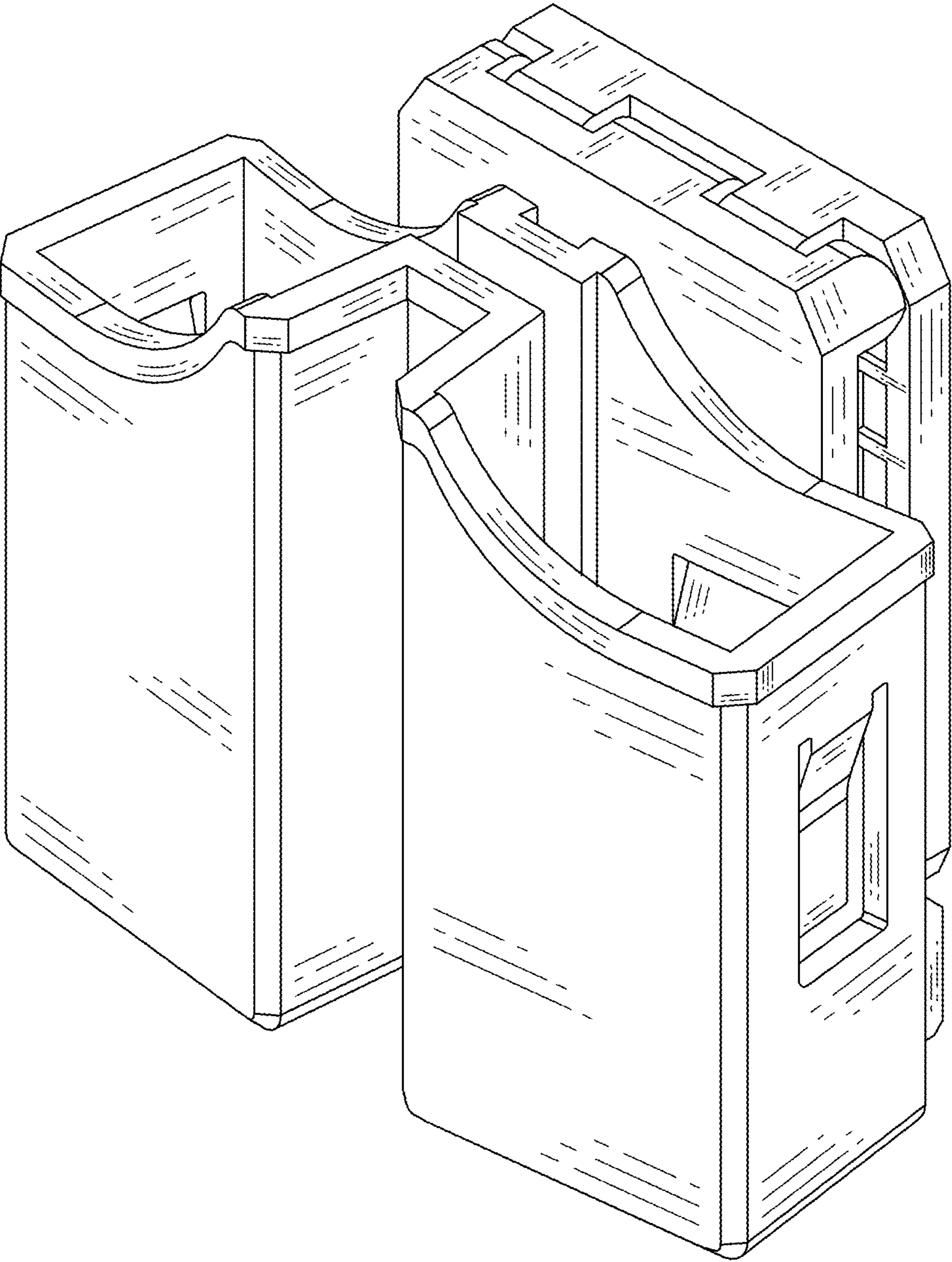


FIG.8