



US00D948204S

(12) **United States Design Patent**
Goldstein

(10) **Patent No.:** **US D948,204 S**

(45) **Date of Patent:** **** Apr. 12, 2022**

(54) **BELLY BAND WITH A STRUCTURALLY REINFORCED HOLSTER POCKET**

D576,792 S * 9/2008 Wagner, II D3/226
D653,028 S * 1/2012 Willows D3/226
D761,553 S * 7/2016 Scott D3/222

(Continued)

(71) Applicant: **Avraham Goldstein**, Fort Lauderdale, FL (US)

FOREIGN PATENT DOCUMENTS

(72) Inventor: **Avraham Goldstein**, Fort Lauderdale, FL (US)

CA 162316 * 10/2016

(**) Term: **15 Years**

OTHER PUBLICATIONS

(21) Appl. No.: **29/800,623**

STRAPT-TAC Belly band case, first available Jul. 16, 2021, amazon.com [online], [site visited Jan. 7, 2022]. Available at URL: <https://www.amazon.com/STRAPT-TAC-Holster-Concealed-Carry-Included/dp/B099TLCHL2?th=1> (Year: 2021).*

(22) Filed: **Jul. 22, 2021**

Primary Examiner — Jeffrey D Asch
Assistant Examiner — Caitlin A Laverty

Related U.S. Application Data

(63) Continuation-in-part of application No. 29/741,565, filed on Jul. 14, 2020, now Pat. No. Des. 941,573.

(57) **CLAIM**

(51) **LOC (13) Cl.** **03-01**

I claim the ornamental design for a belly band with a structurally reinforced holster pocket, as shown and described.

(52) **U.S. Cl.**

USPC **D3/222**

DESCRIPTION

(58) **Field of Classification Search**

USPC D3/215, 232, 245–246, 273, 276, D3/289–290, 299–301, 303, 203.1, 203.6, D3/203.8, 222, 262; D2/624–625, 627, D2/629

CPC .. A41F 11/00; A41F 11/16; A45F 5/00; A45F 2200/0591; A45F 2200/05

See application file for complete search history.

FIG. 1 is a perspective view of the belly band of my claimed design;
FIG. 2 is a front view of the belly band of FIG. 1;
FIG. 3 is a back view of the belly band of FIG. 1;
FIG. 4 is a top view of the belly band of FIG. 1;
FIG. 5 is a bottom view of the belly band of FIG. 1;
FIG. 6 is a left side view of the belly band of FIG. 1;
FIG. 7 is a right side view of the belly band of FIG. 1; and,
FIG. 8 is a view of the belly band of FIG. 1 being worn by a person.

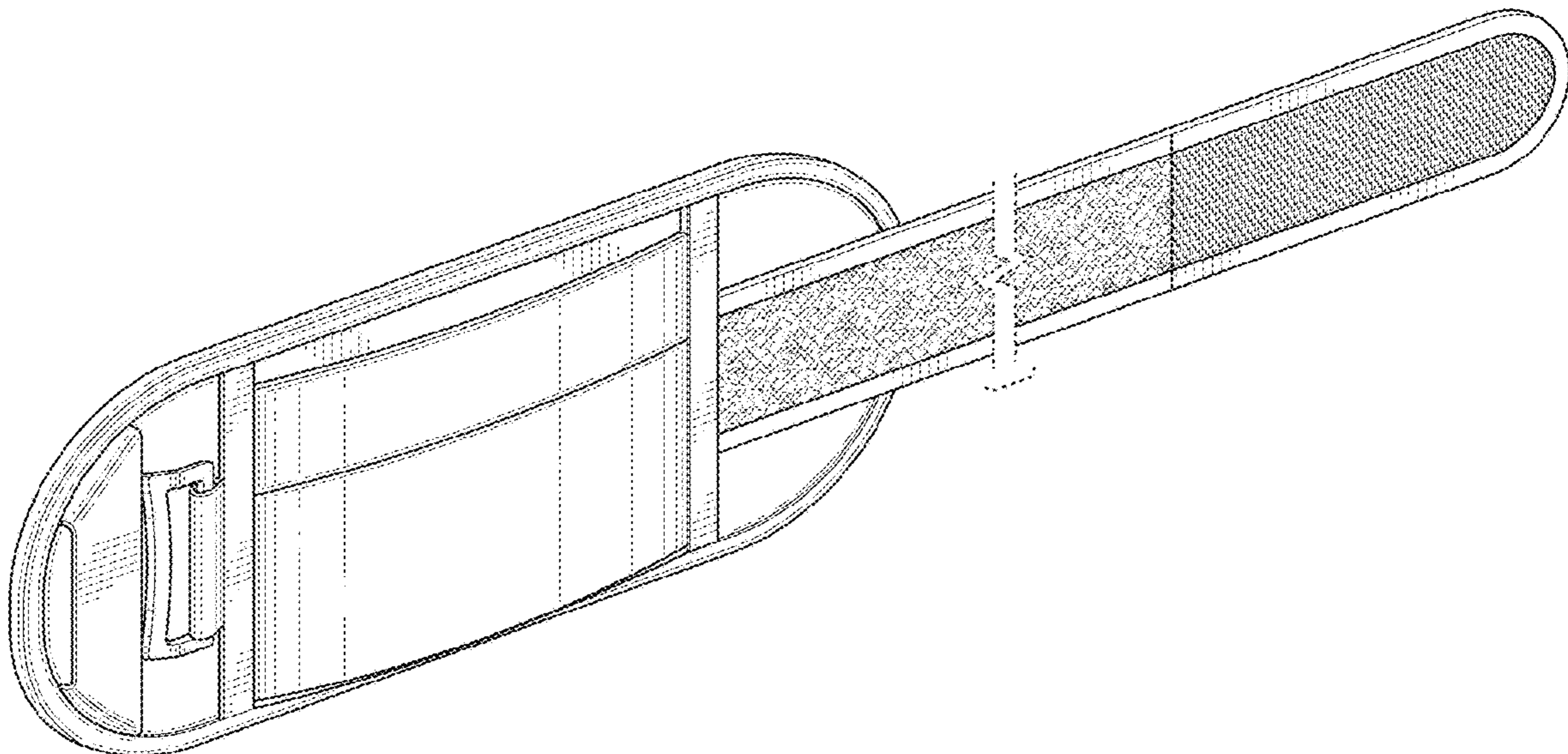
(56) **References Cited**

U.S. PATENT DOCUMENTS

D242,174 S * 11/1976 Evans D24/190
D291,942 S * 9/1987 Green D10/114.1
D296,389 S * 6/1988 Taylor D3/230
D371,235 S * 7/1996 Robertson D3/215
D380,086 S * 6/1997 Brassard D3/215
D458,021 S * 6/2002 Willows D3/226
D576,791 S * 9/2008 Wagner, II D3/226

The broken lines in FIG. 8 showing a gun, gun holster, and person illustrate environmental structures and form no part of the claimed design. The belly band with a structurally reinforced holster pocket is shown with a symbolic break in its length. The appearance of any portion of the article between the break lines forms no part of the claimed design.

1 Claim, 5 Drawing Sheets



(56)

References Cited

U.S. PATENT DOCUMENTS

D872,460 S *	1/2020	Arikawa	D3/226
D889,832 S *	7/2020	Fridley	D3/303
D918,530 S *	5/2021	Zimmer	D2/627
D941,573 S *	1/2022	Goldstein	D3/222
2007/0139875 A1 *	6/2007	Carstens	G06F 1/163
			361/679.01
2011/0220696 A1 *	9/2011	Buchanan	A45F 5/00
			224/191

* cited by examiner

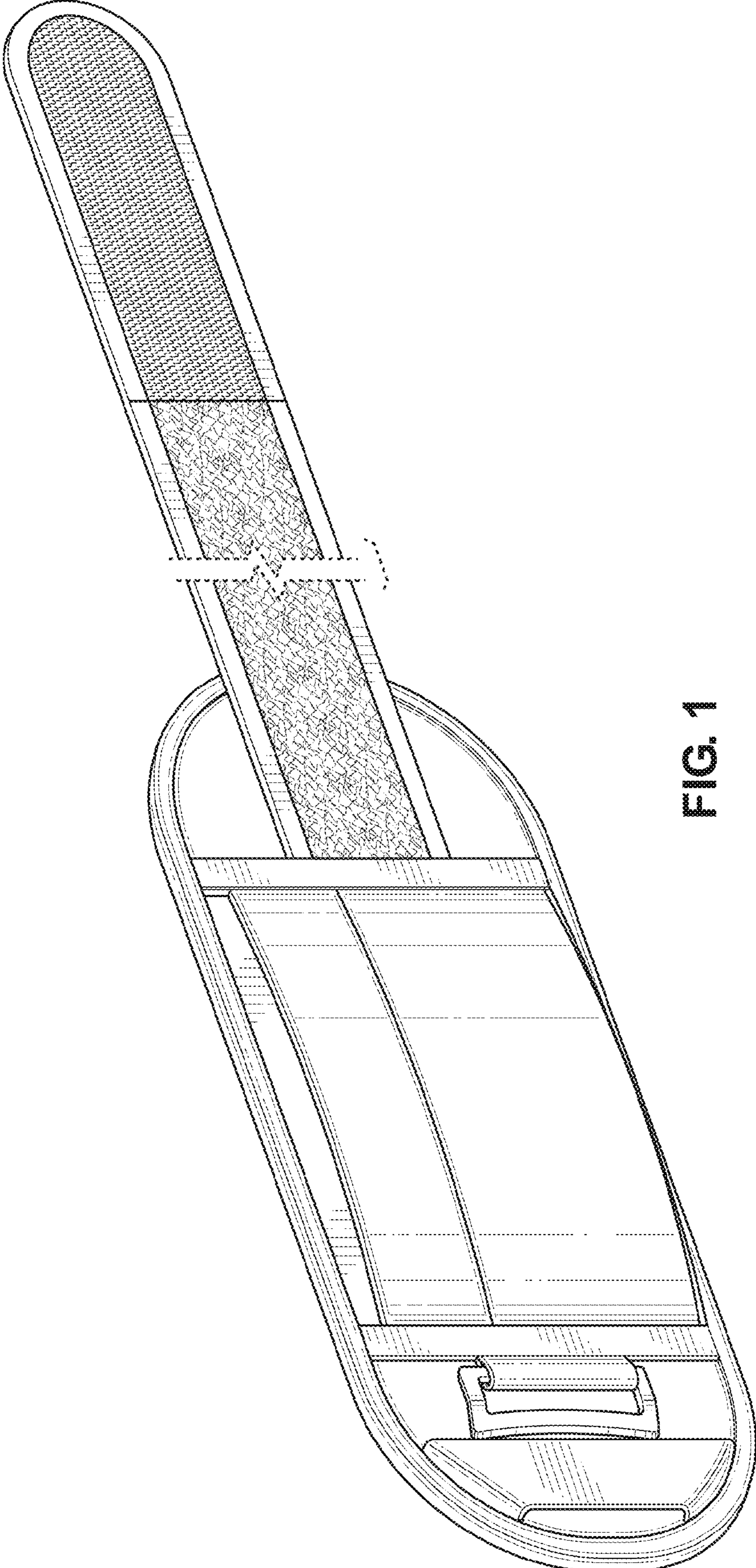


FIG. 1

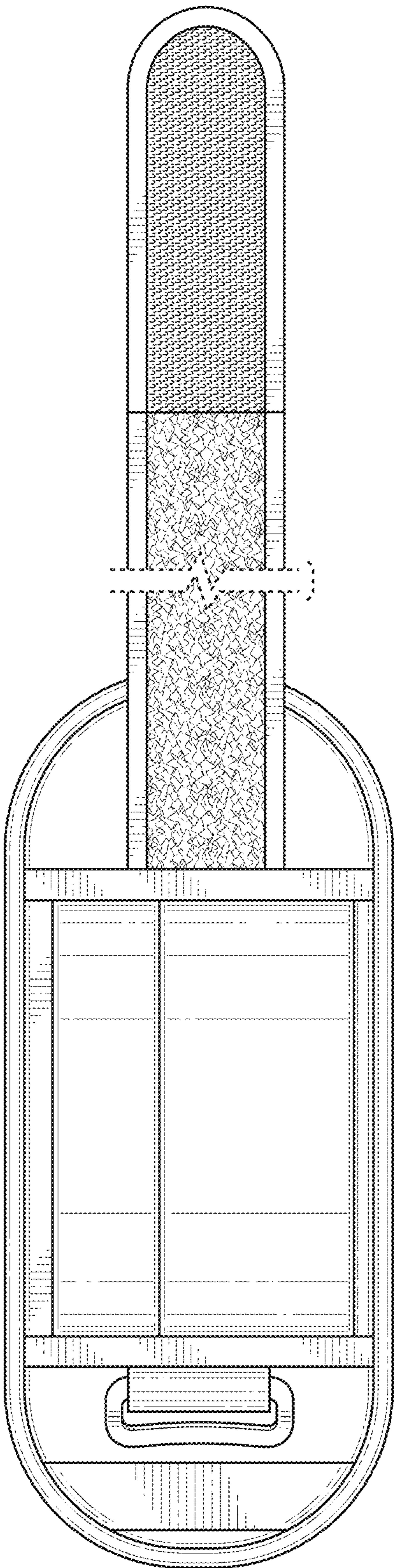


FIG. 2

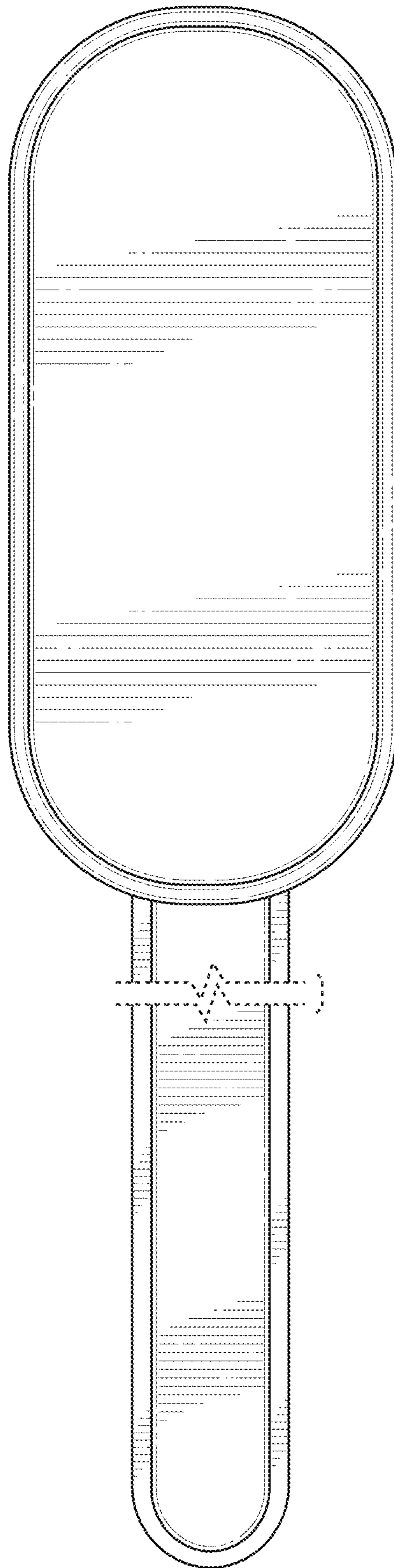


FIG. 3

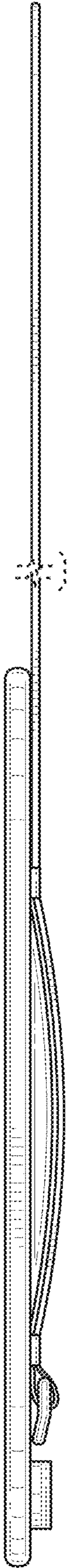


FIG. 4

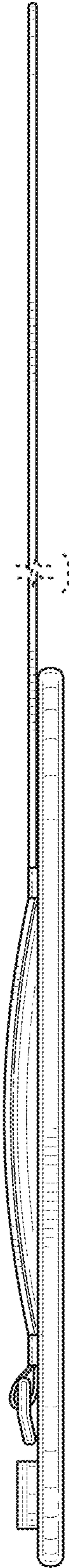


FIG. 5

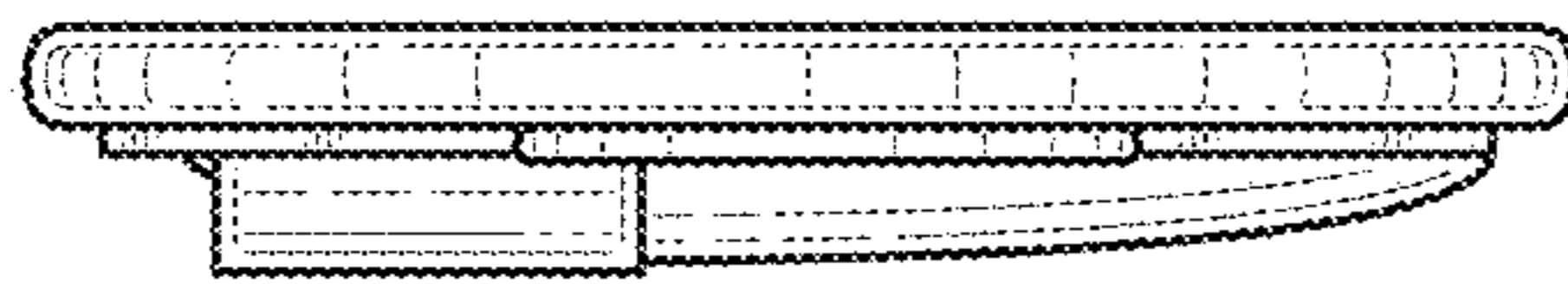


FIG. 7

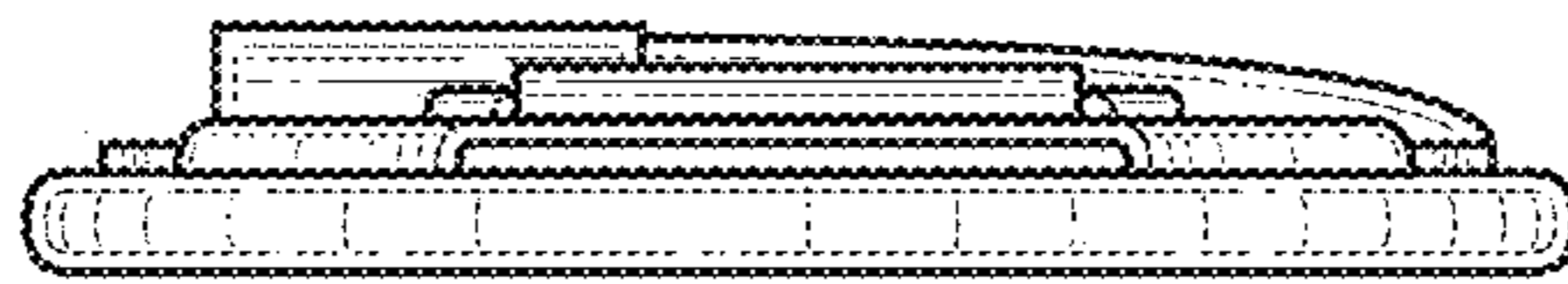


FIG. 6

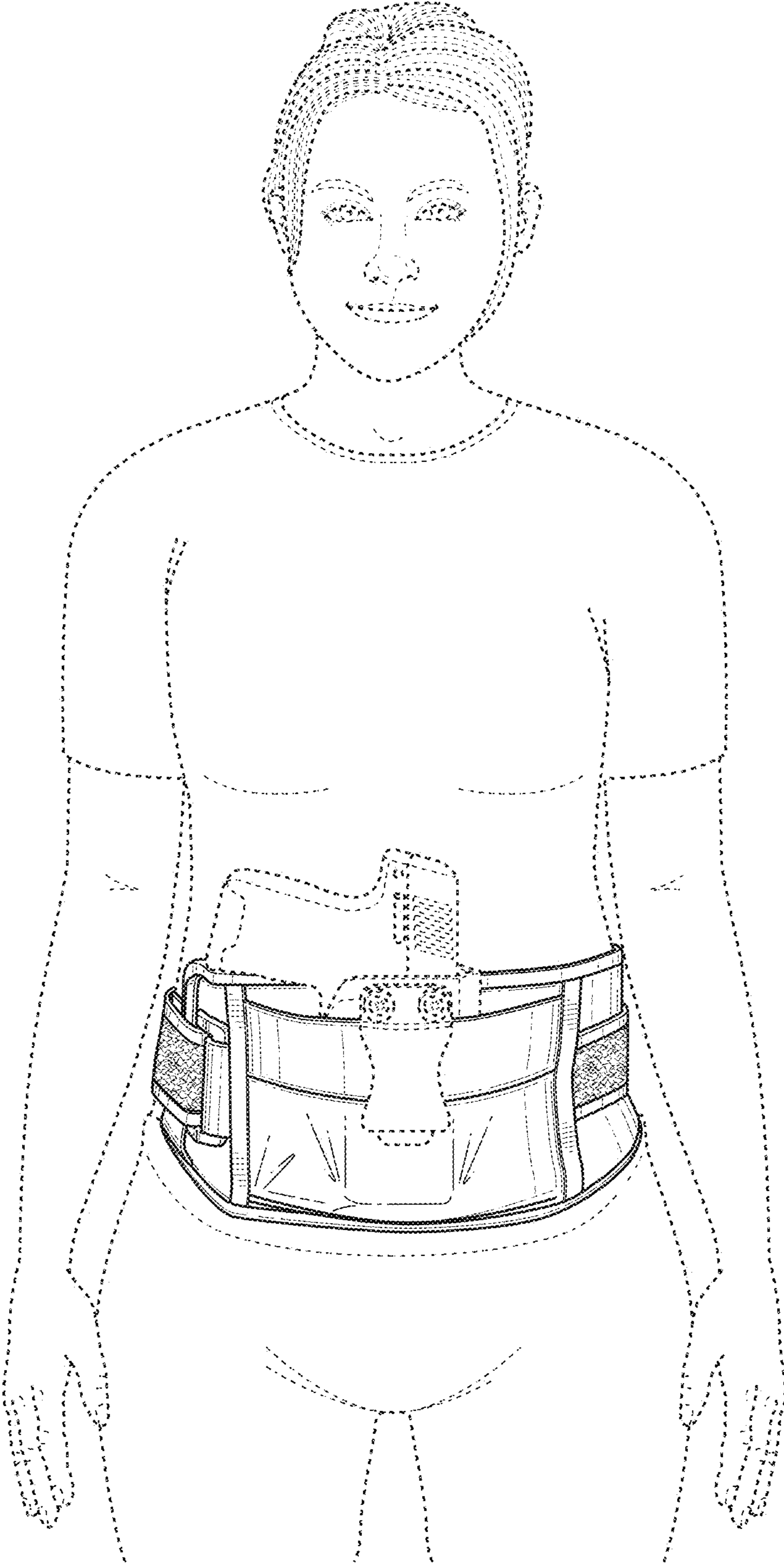


FIG. 8