



US00D948203S

(12) **United States Design Patent** (10) **Patent No.:** **US D948,203 S**
Eremita (45) **Date of Patent:** **** *Apr. 12, 2022**

(54) **PHONE CLIP HOLSTER**
(71) Applicant: **Brian Eremita**, Sylmar, CA (US)
(72) Inventor: **Brian Eremita**, Sylmar, CA (US)
(*) Notice: This patent is subject to a terminal disclaimer.
(**) Term: **15 Years**
(21) Appl. No.: **29/696,709**
(22) Filed: **Jun. 30, 2019**
(51) **LOC (13) Cl.** **03-01**
(52) **U.S. Cl.**
USPC **D3/218**
(58) **Field of Classification Search**
USPC D3/218; D14/250, 253-254, 217, 224, D14/238.1, 299, 434, 447, 451-452, 483, D14/400, 415-416; D12/400, 415-416; D16/242, 245
CPC B60R 11/00; B60R 11/02; B60R 11/0241; B60R 11/0252; B60R 2011/0005; B60R 2011/008; H04M 1/026; H04M 1/0266; H04B 1/3877; A45F 2200/0516; A45F 2200/0525; H05K 5/0204; F16M 13/04; F16M 11/04; F16M 11/041; F16B 2/12; H01F 7/0252; G03B 17/561; G03B 17/563
See application file for complete search history.

D565,290 S * 4/2008 Brandenburg D3/218
D629,193 S * 12/2010 Liu D3/218
D644,428 S * 9/2011 Feng D3/218
D657,137 S * 4/2012 Weller D3/218
D683,136 S * 5/2013 Wilson D3/218
D685,990 S * 7/2013 Zhang D3/218
D689,853 S * 9/2013 Smith D14/253
D721,693 S 1/2015 Lee et al.
D721,694 S 1/2015 Lee et al.
D725,643 S 3/2015 Lee et al.
9,545,140 B1 1/2017 Johnson et al.
D907,020 S * 1/2021 Han D14/250
D909,048 S * 2/2021 de Jonge D3/215
2008/0298026 A1 * 12/2008 Wang G06F 1/163
361/728
2012/0325882 A1 * 12/2012 Tages A45F 5/021
224/676

* cited by examiner

Primary Examiner — Catherine R Oliver-Garcia
(74) *Attorney, Agent, or Firm* — Ross Brandborg

(57) **CLAIM**

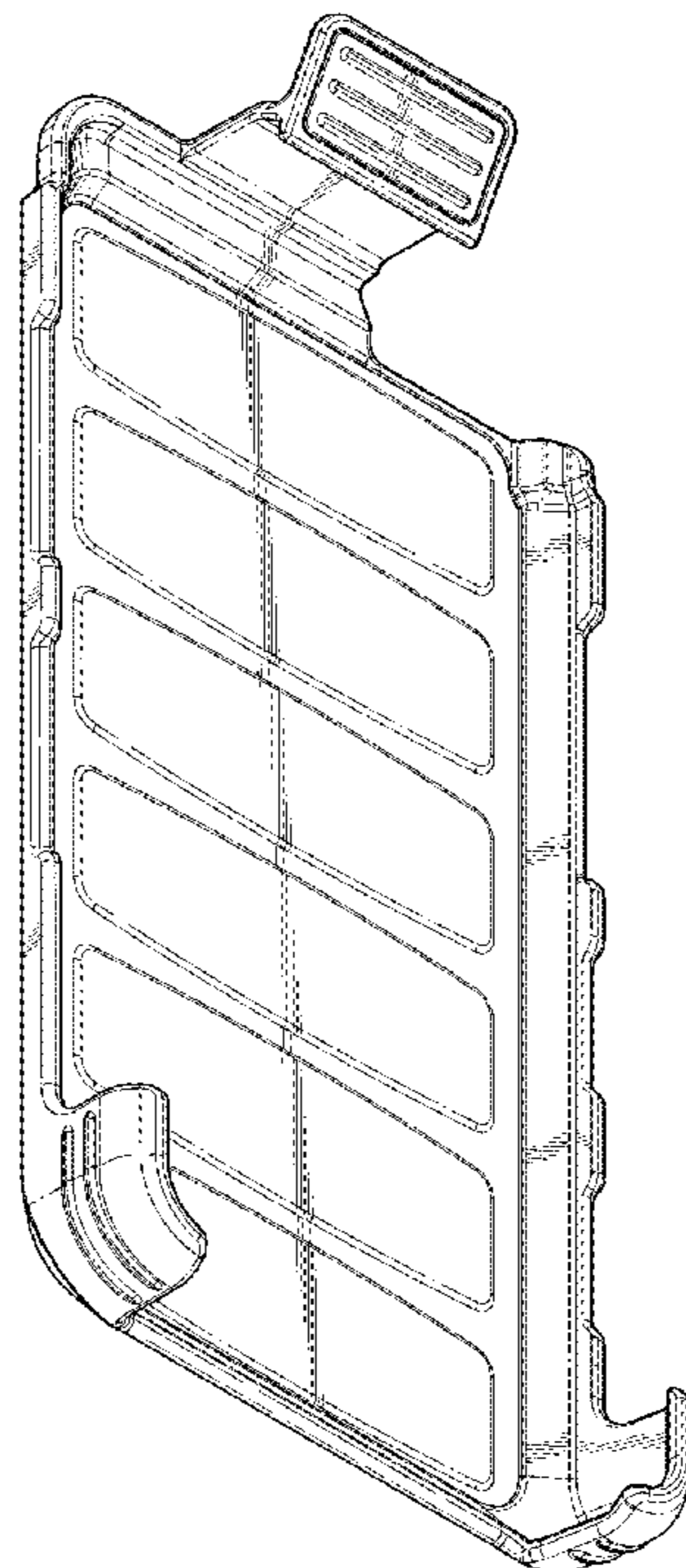
I claim the ornamental design for a phone clip holster, as shown and described.

DESCRIPTION

FIG. 1 shows a perspective front view of phone clip holster; FIG. 2 is a rear perspective view thereof; FIG. 3 is a front elevation view thereof; FIG. 4 is a left side elevation view thereof; FIG. 5 is a top plan view thereof; FIG. 6 is a rear elevation view thereof; FIG. 7 is a right elevation view thereof; and, FIG. 8 is a bottom plan view thereof.

1 Claim, 8 Drawing Sheets

(56) **References Cited**
U.S. PATENT DOCUMENTS
D451,094 S 11/2001 Powell
D500,203 S 12/2004 Kim



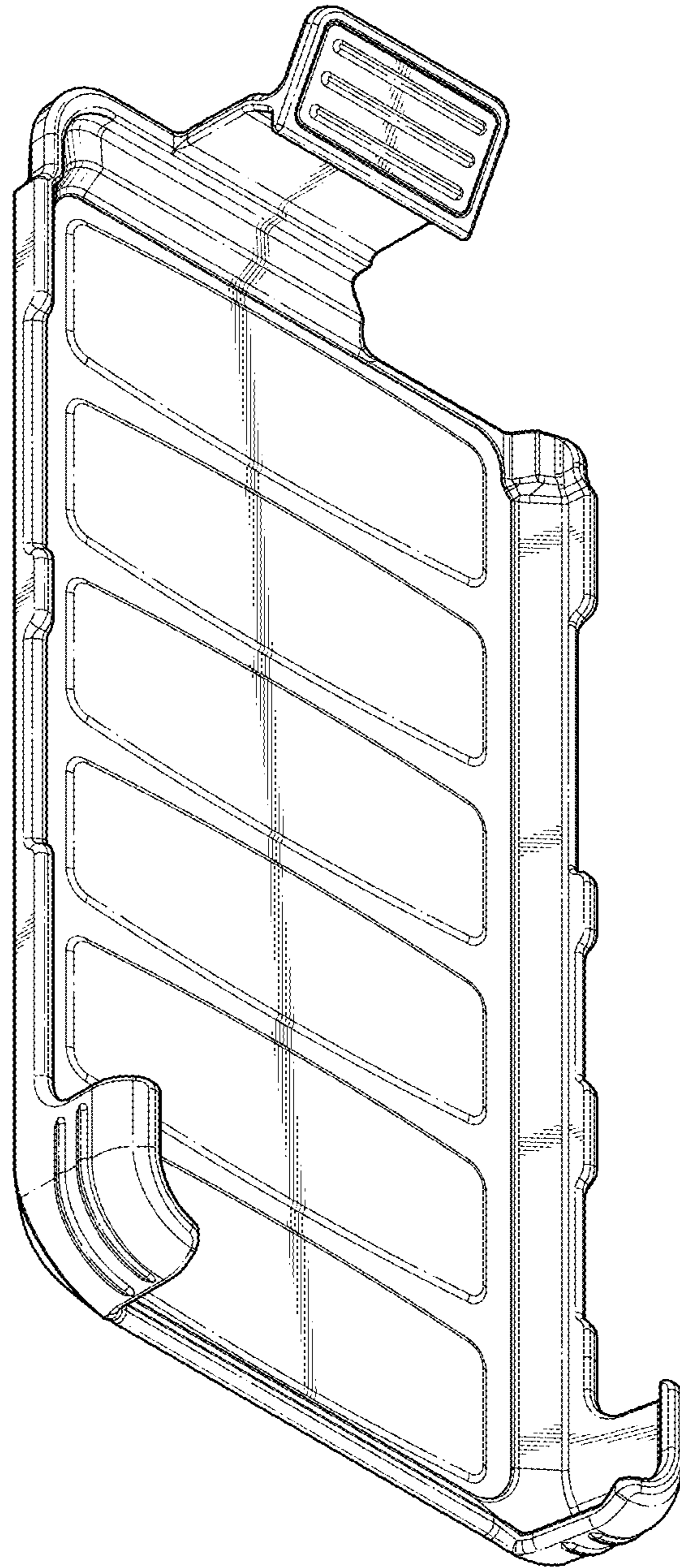


FIG. 1

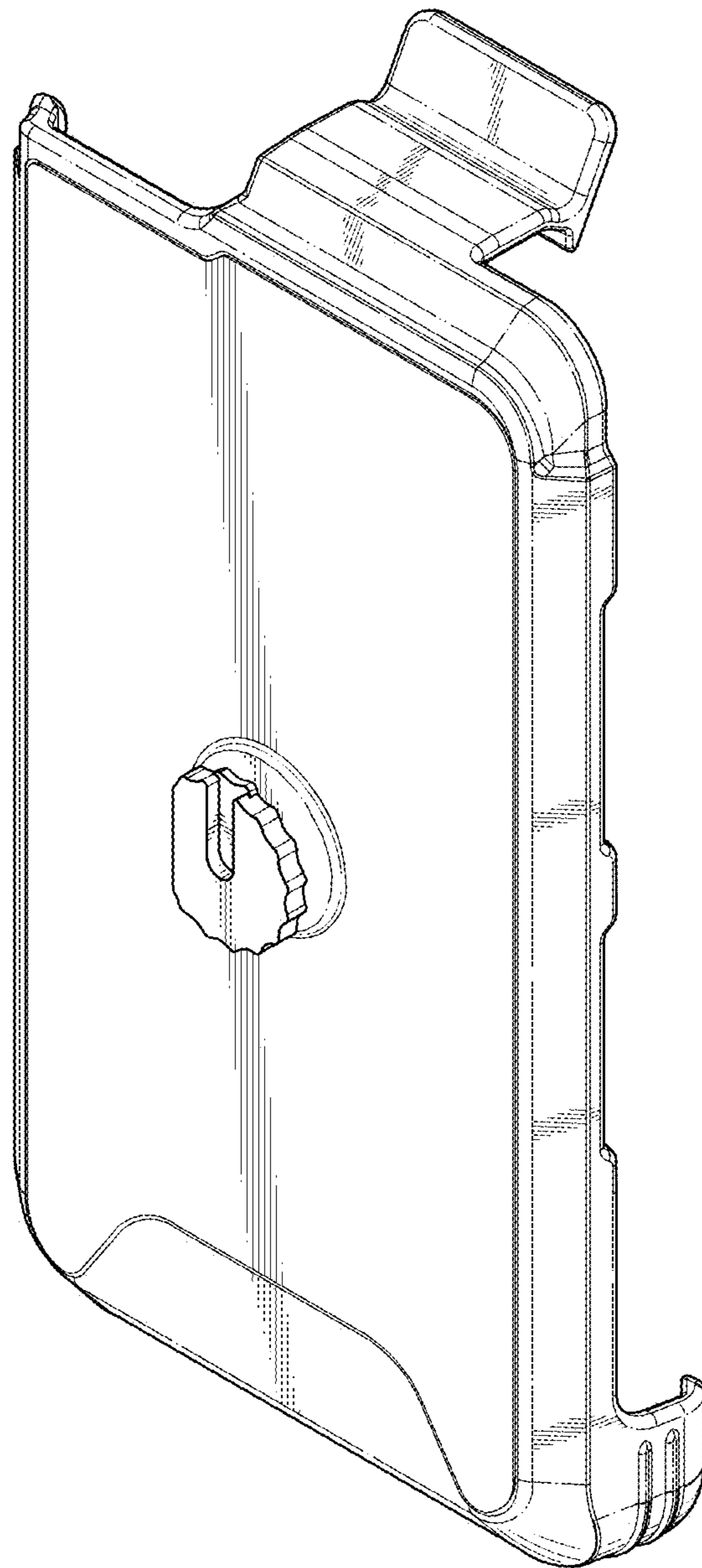
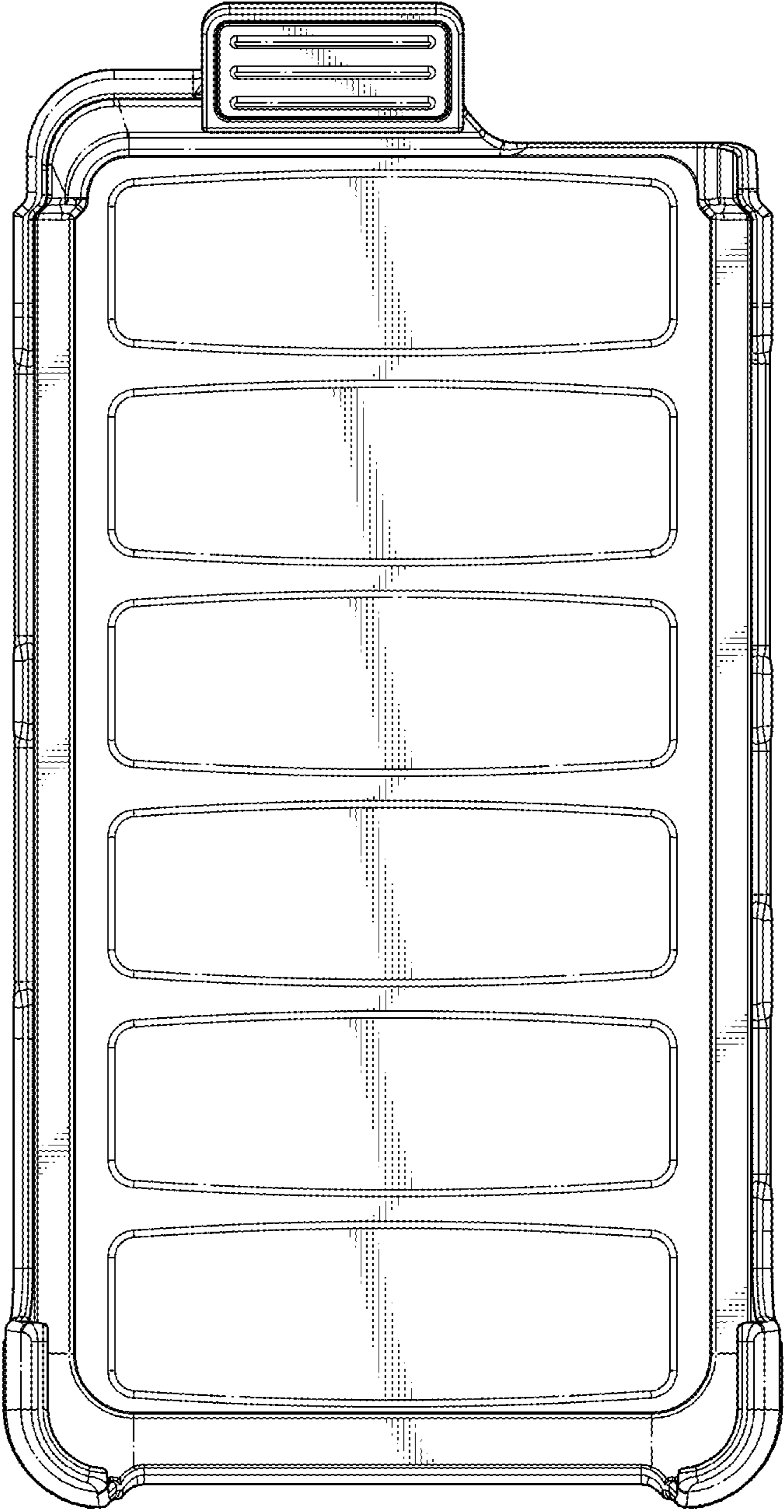


FIG. 2

FIG 3



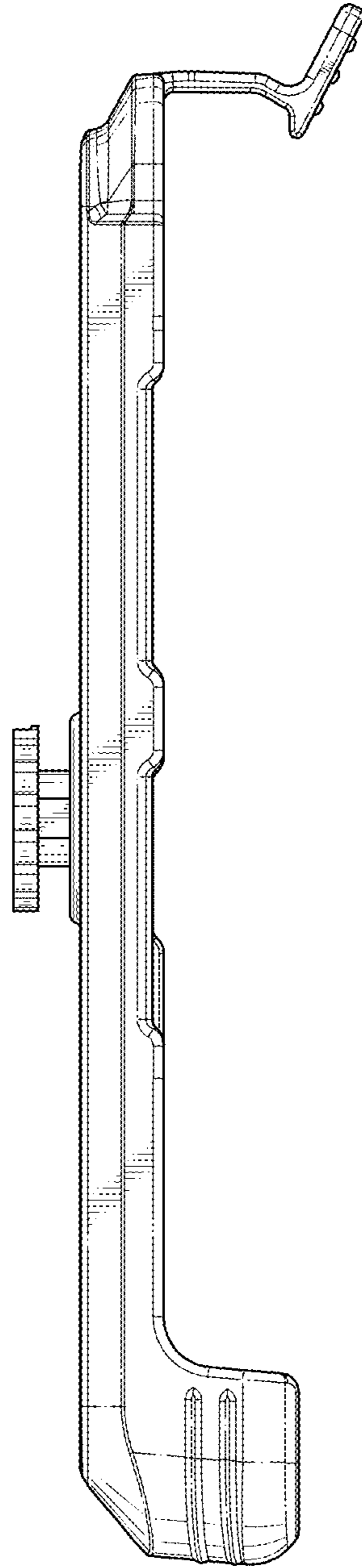


FIG. 4

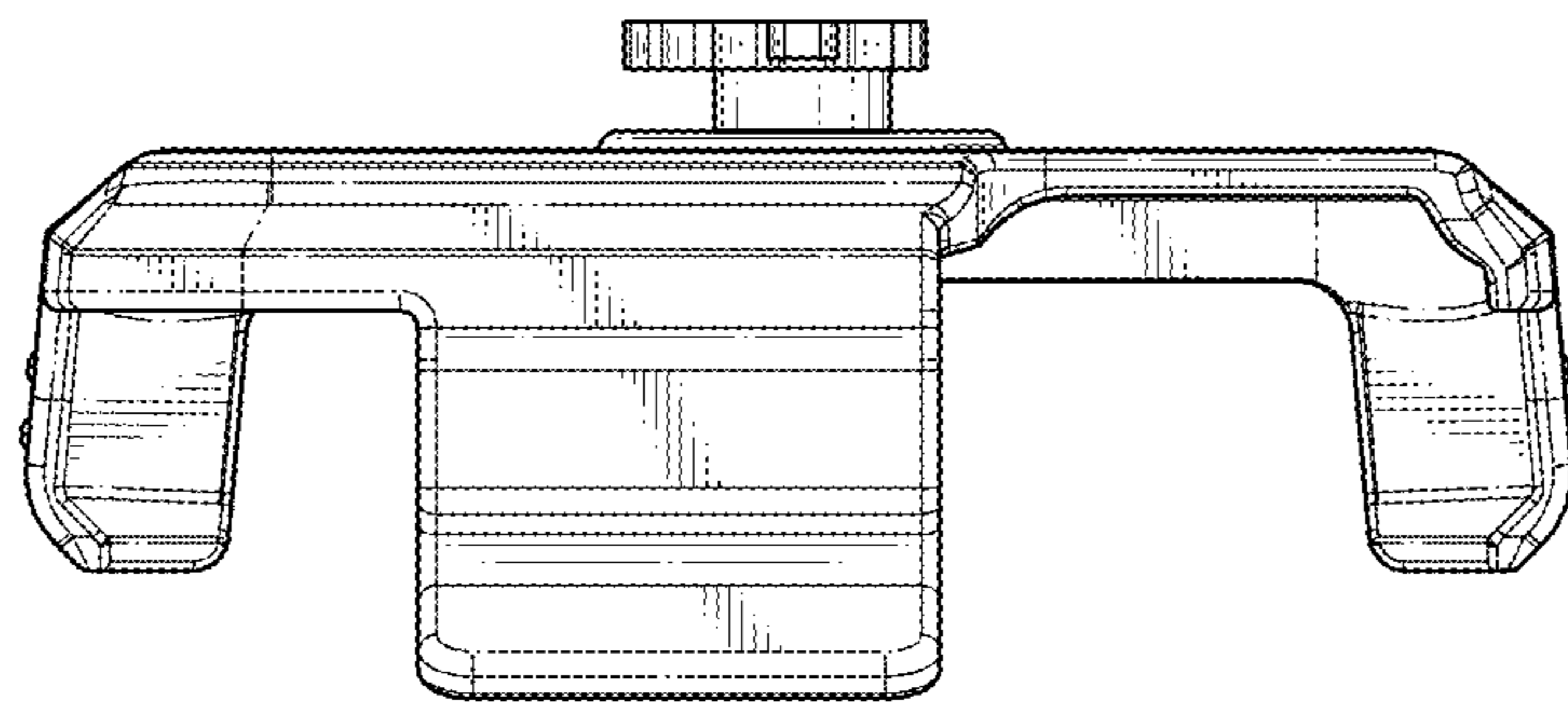


FIG. 5

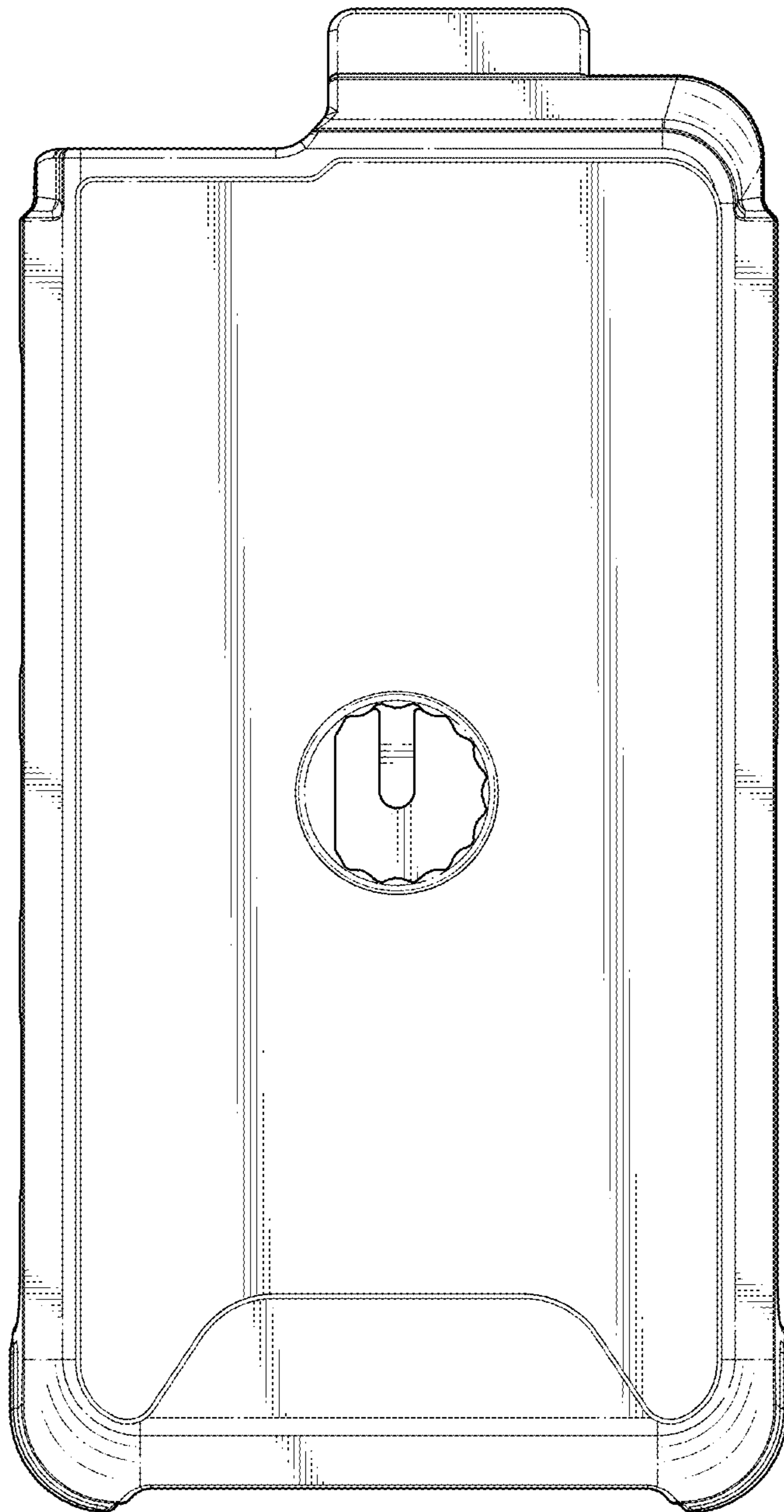


FIG. 6

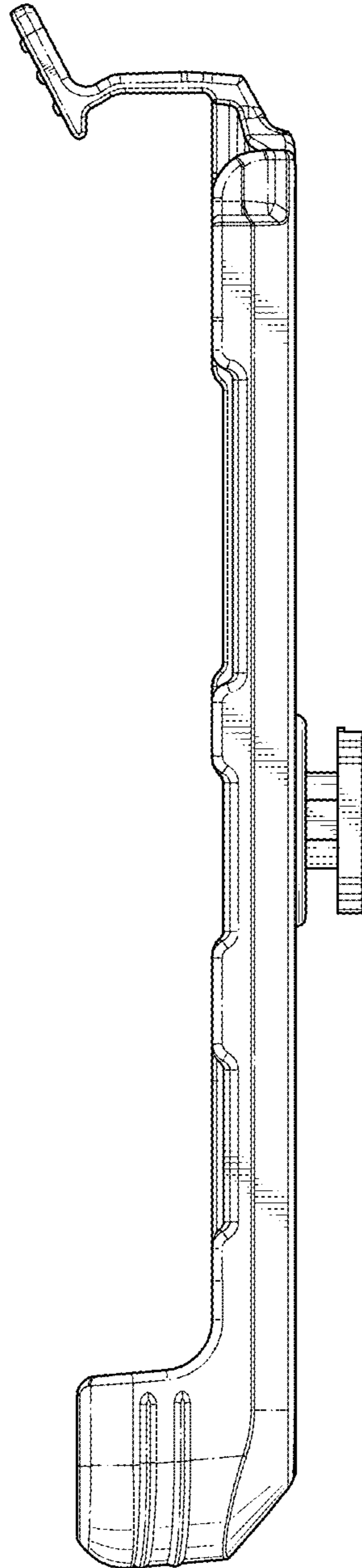


FIG. 7

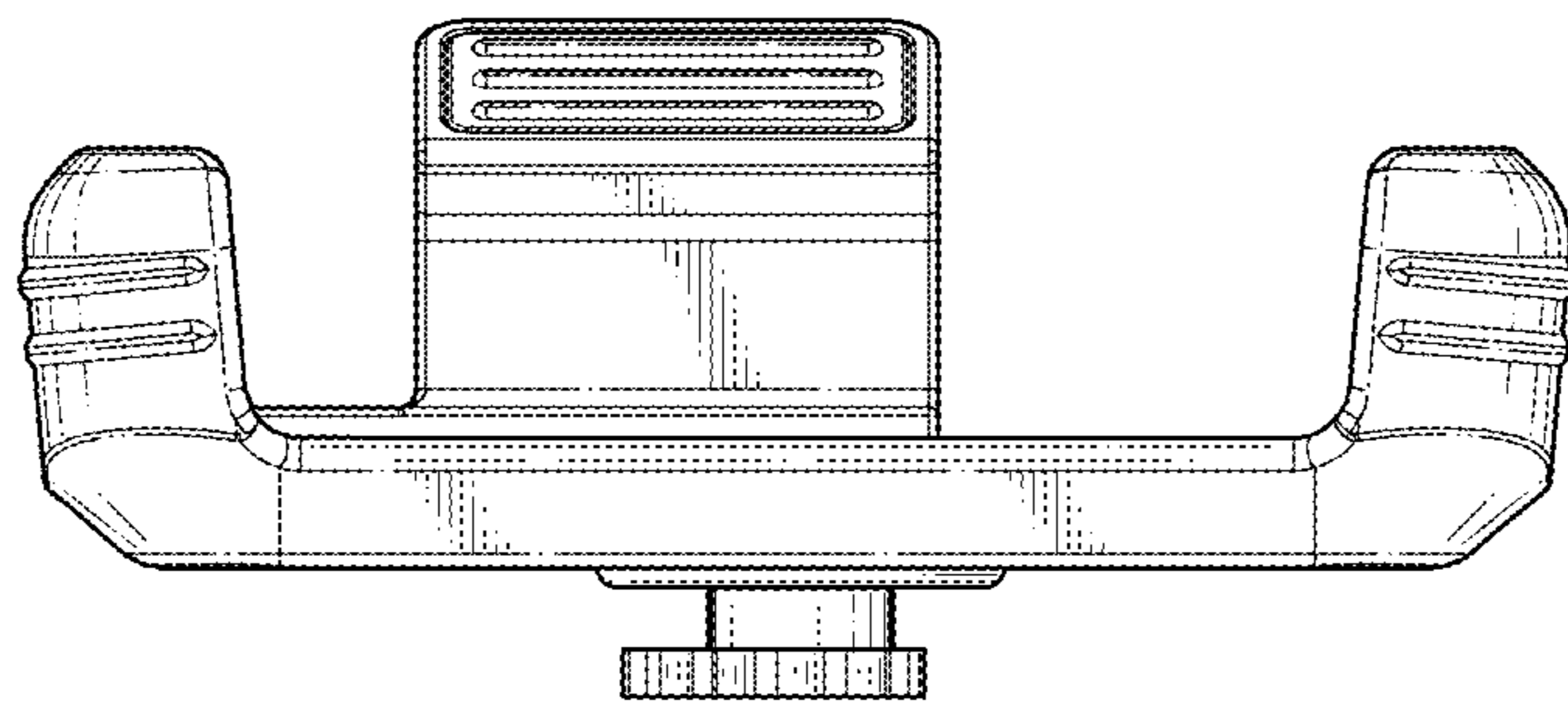


FIG. 8