



US00D948202S

(12) **United States Design Patent**
Skogsfjord

(10) **Patent No.:** **US D948,202 S**

(45) **Date of Patent:** **** Apr. 12, 2022**

(54) **GUITAR STAND**

(71) Applicant: **Yousician Oy**, Helsinki (FI)

(72) Inventor: **Magnus Skogsfjord**, Helsinki (FI)

(73) Assignee: **YOUSICIAN OY**, Helsinki (FI)

(**) Term: **15 Years**

(21) Appl. No.: **29/716,856**

(22) Filed: **Dec. 12, 2019**

(30) **Foreign Application Priority Data**

Oct. 25, 2019 (EM) 007120126

(51) **LOC (13) Cl.** **03-01**

(52) **U.S. Cl.**
USPC **D3/204**

(58) **Field of Classification Search**
USPC D3/204; D6/682; 84/327, 421, 329;
211/85.6; 248/121, 443
CPC G10G 5/00
See application file for complete search history.

(56) **References Cited**

U.S. PATENT DOCUMENTS

5,664,756 A * 9/1997 Liao G10G 5/00
248/443
D436,465 S * 1/2001 Berkman G10D 1/08
D17/99

9,443,496 B1 * 9/2016 Chiu G10D 1/08
2011/0248127 A1 * 10/2011 Moore A47G 25/10
248/121
2013/0292523 A1 * 11/2013 Moore A47G 25/06
248/121

OTHER PUBLICATIONS

Septentrion | Acoustic Guitar Concept, announced Dec. 9, 2019 [online], [site visited Oct. 18, 2021]. Available from internet, URL: <<https://www.behance.net/gallery/81863837/Septentrion-Acoustic-Guitar-Concept>> (Year: 2019).*

* cited by examiner

Primary Examiner — Kevin K Rudzinski

Assistant Examiner — Amber J Rabie

(74) *Attorney, Agent, or Firm* — Leason Ellis LLP

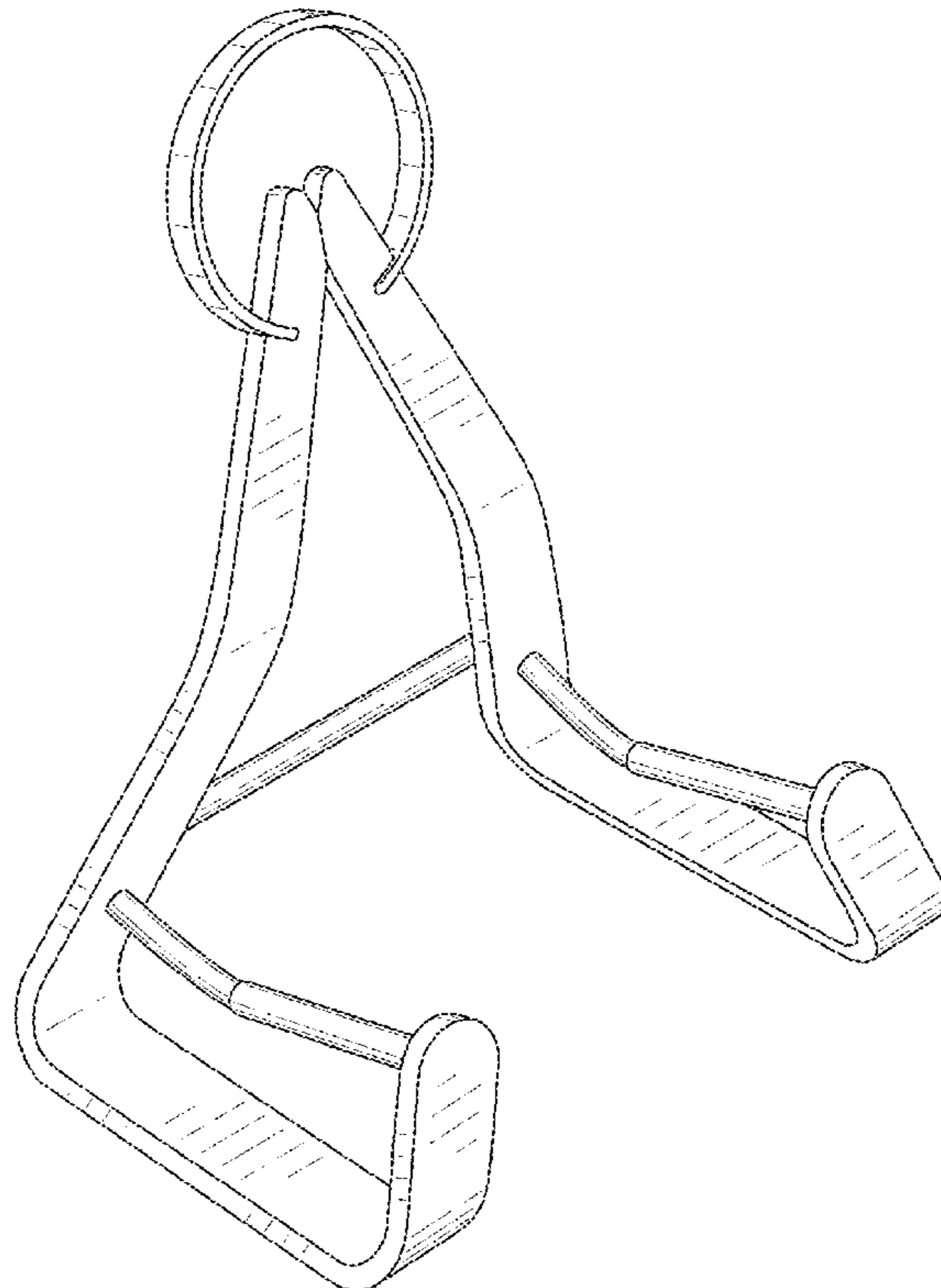
(57) **CLAIM**

The ornamental design for a guitar stand, as shown and described.

DESCRIPTION

FIG. 1 is a perspective view of my guitar stand according to my new design;
FIG. 2 is a front view thereof;
FIG. 3 is a rear view thereof;
FIG. 4 is a right, side view thereof;
FIG. 5 is a left, side view thereof;
FIG. 6 is a top view thereof; and,
FIG. 7 is a bottom view thereof.
Conventional shading is illustrated for purposes of highlighting the line drawings, but forms no part of the claimed design.

1 Claim, 7 Drawing Sheets



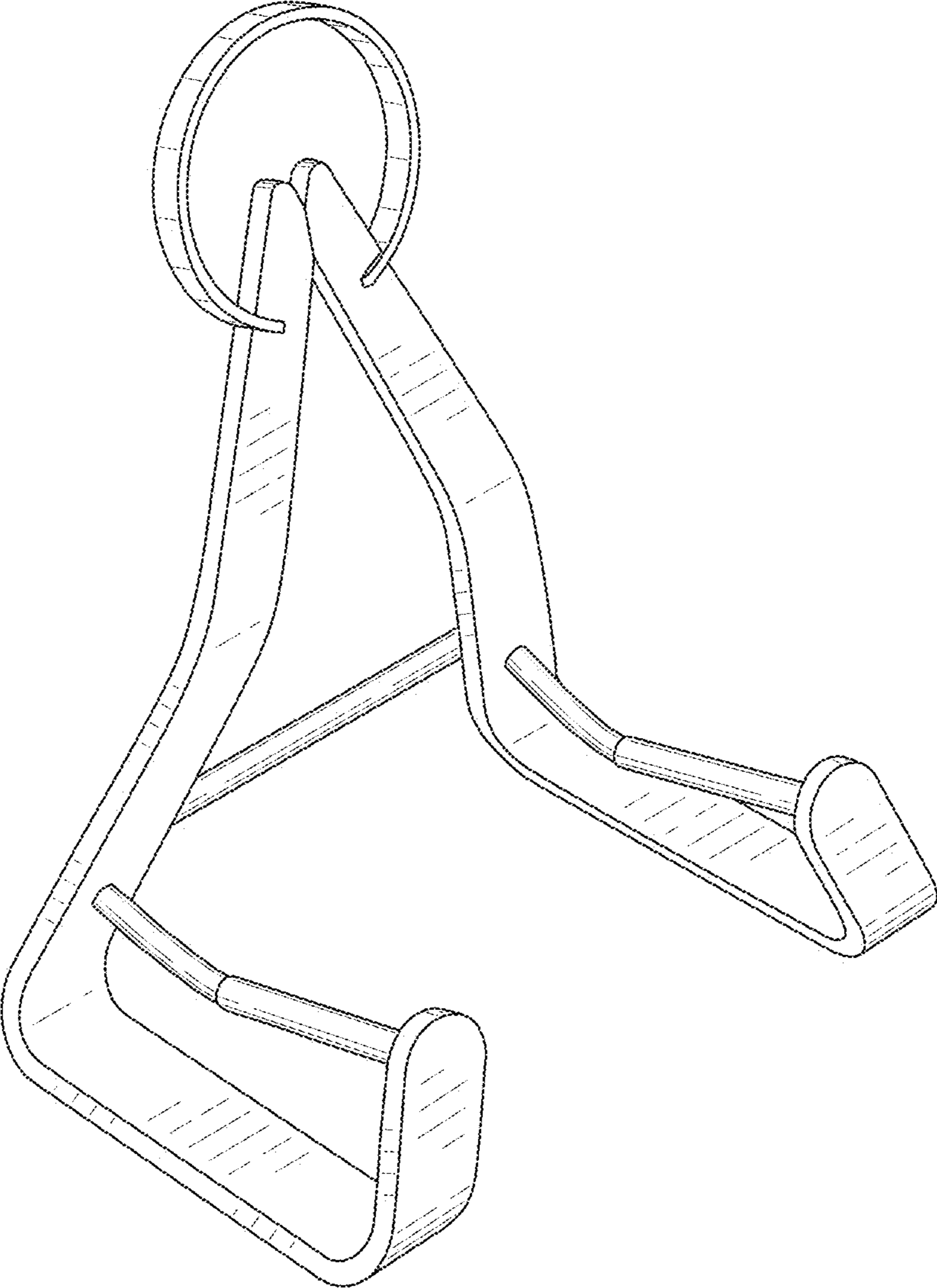


FIG. 1

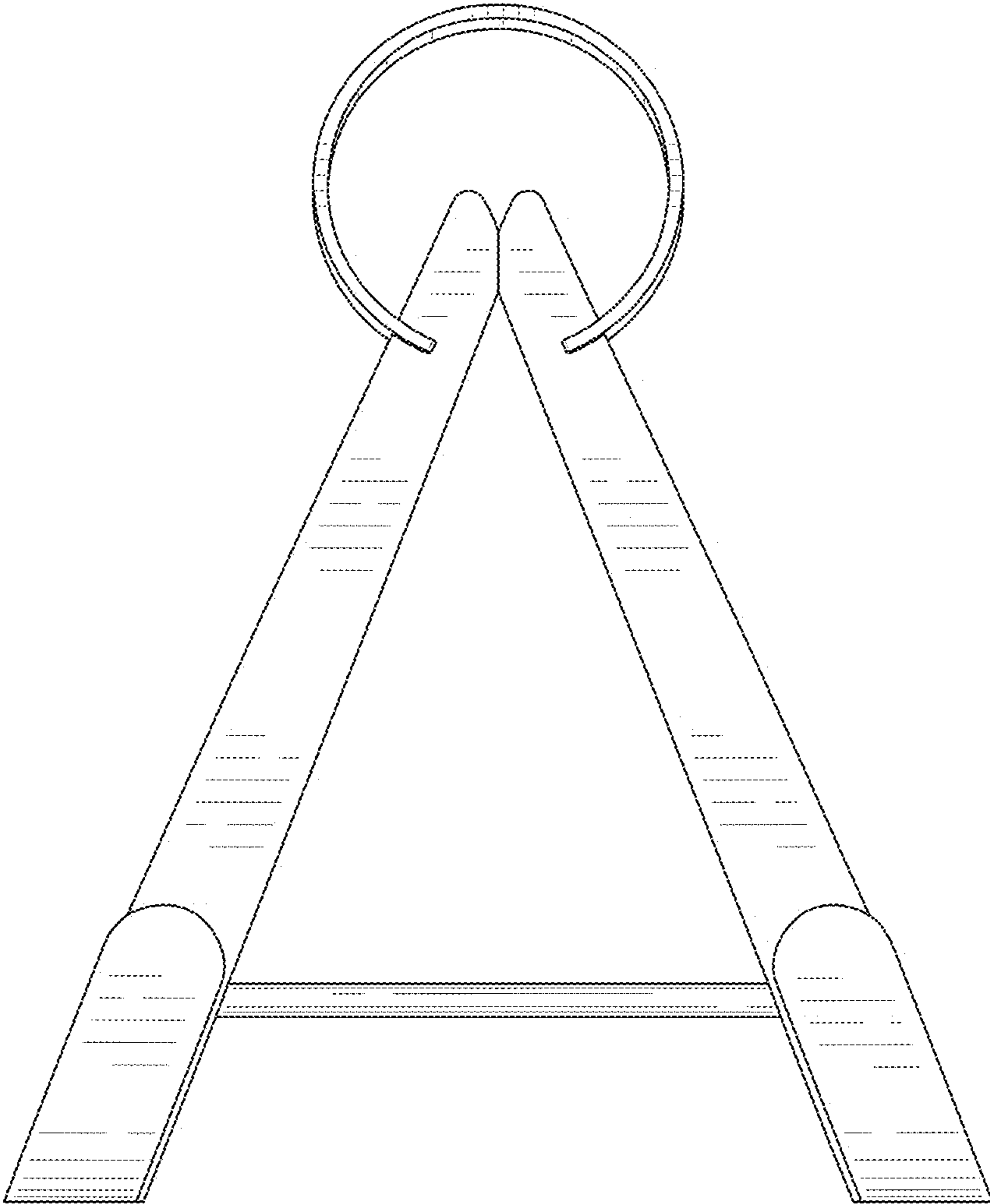


FIG. 2

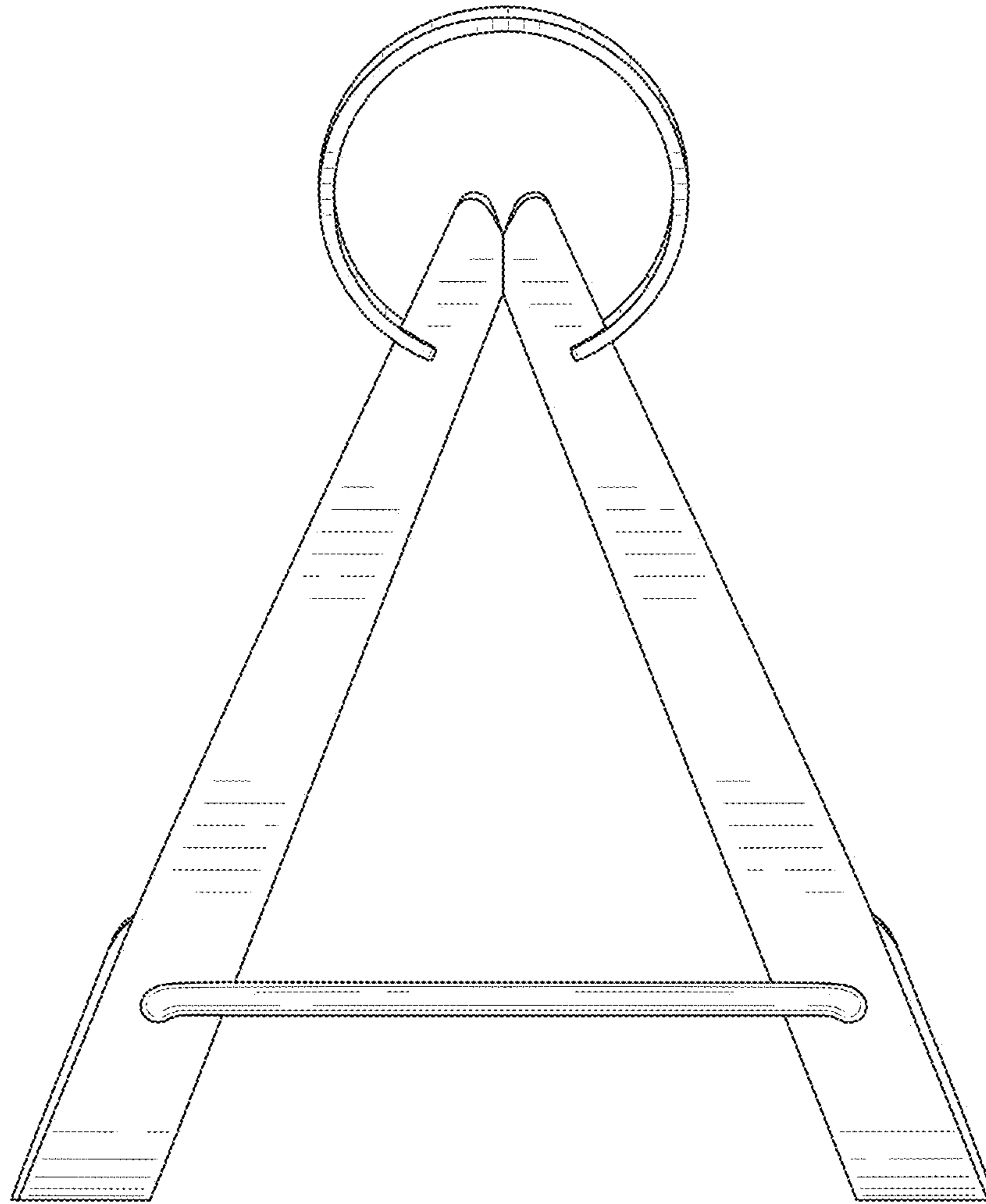


FIG. 3

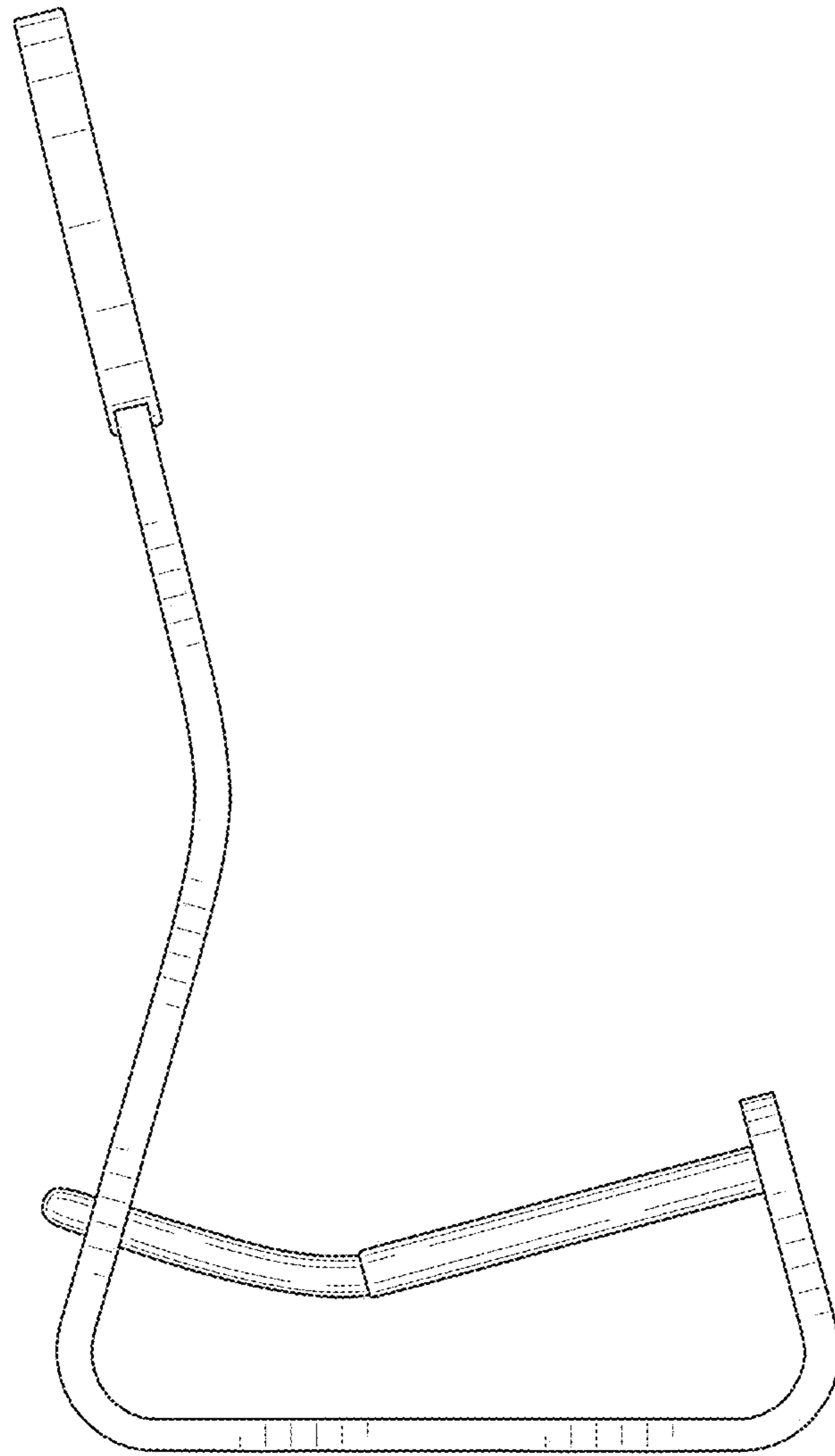


FIG. 4

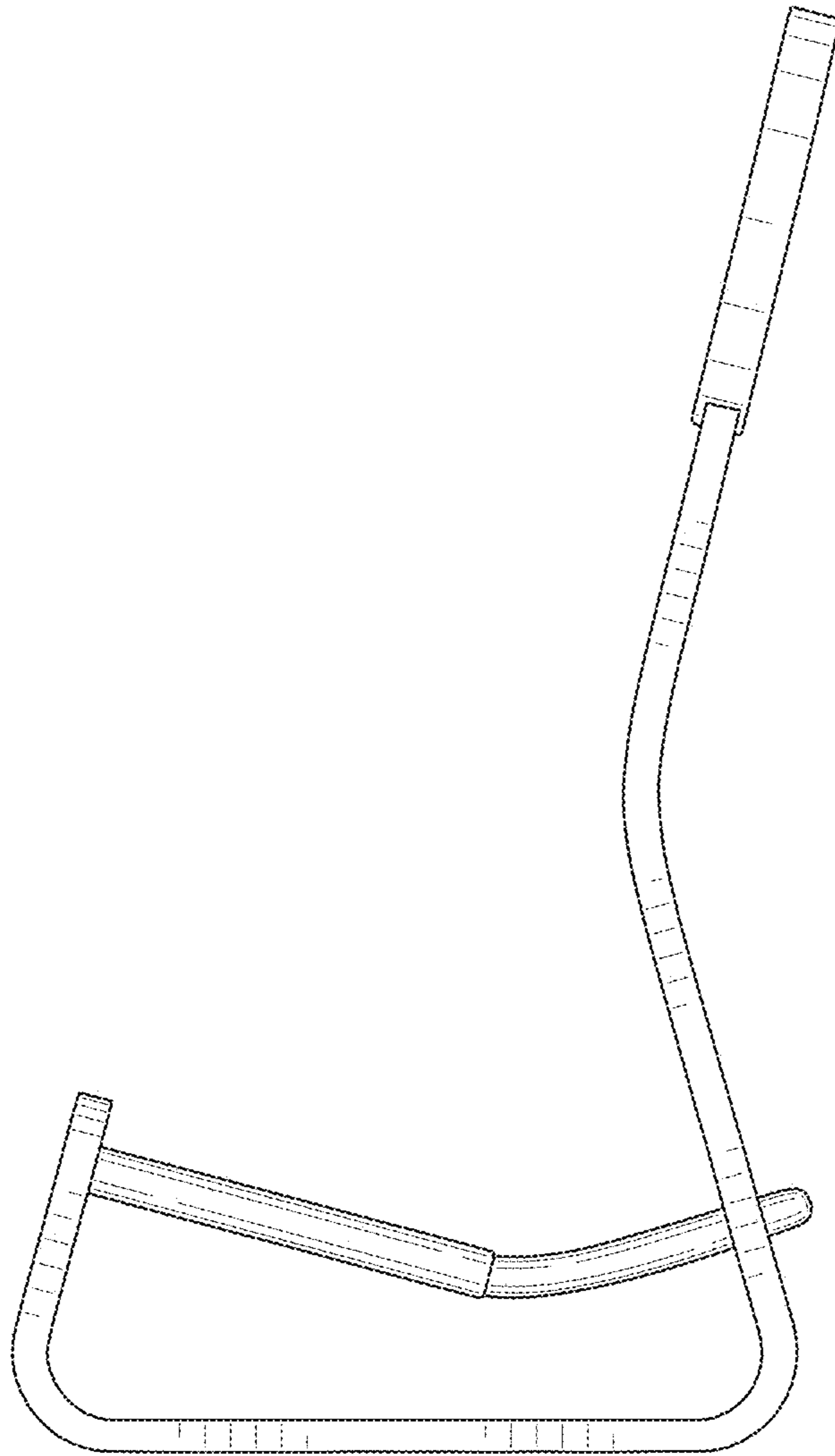


FIG. 5

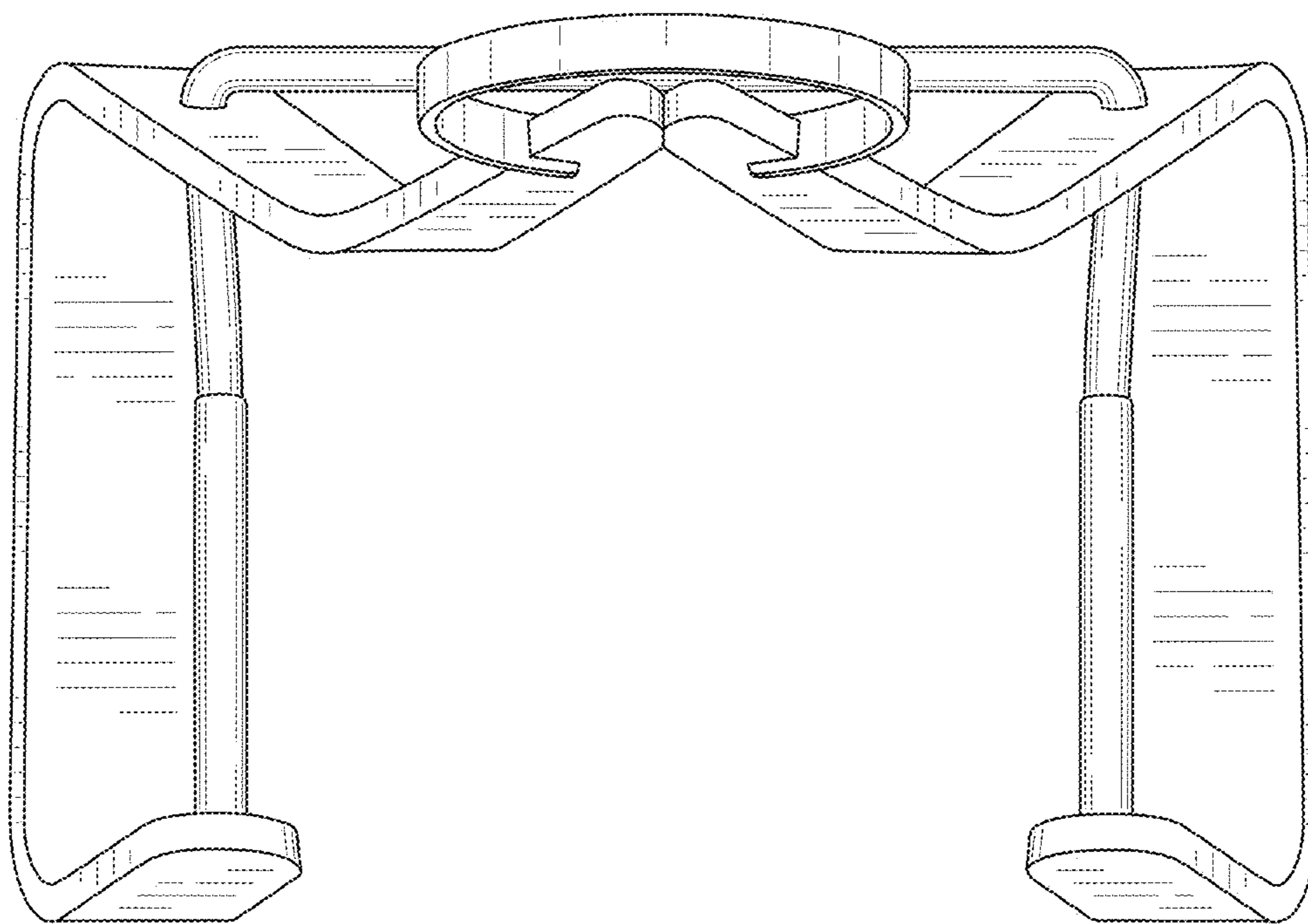


FIG. 6

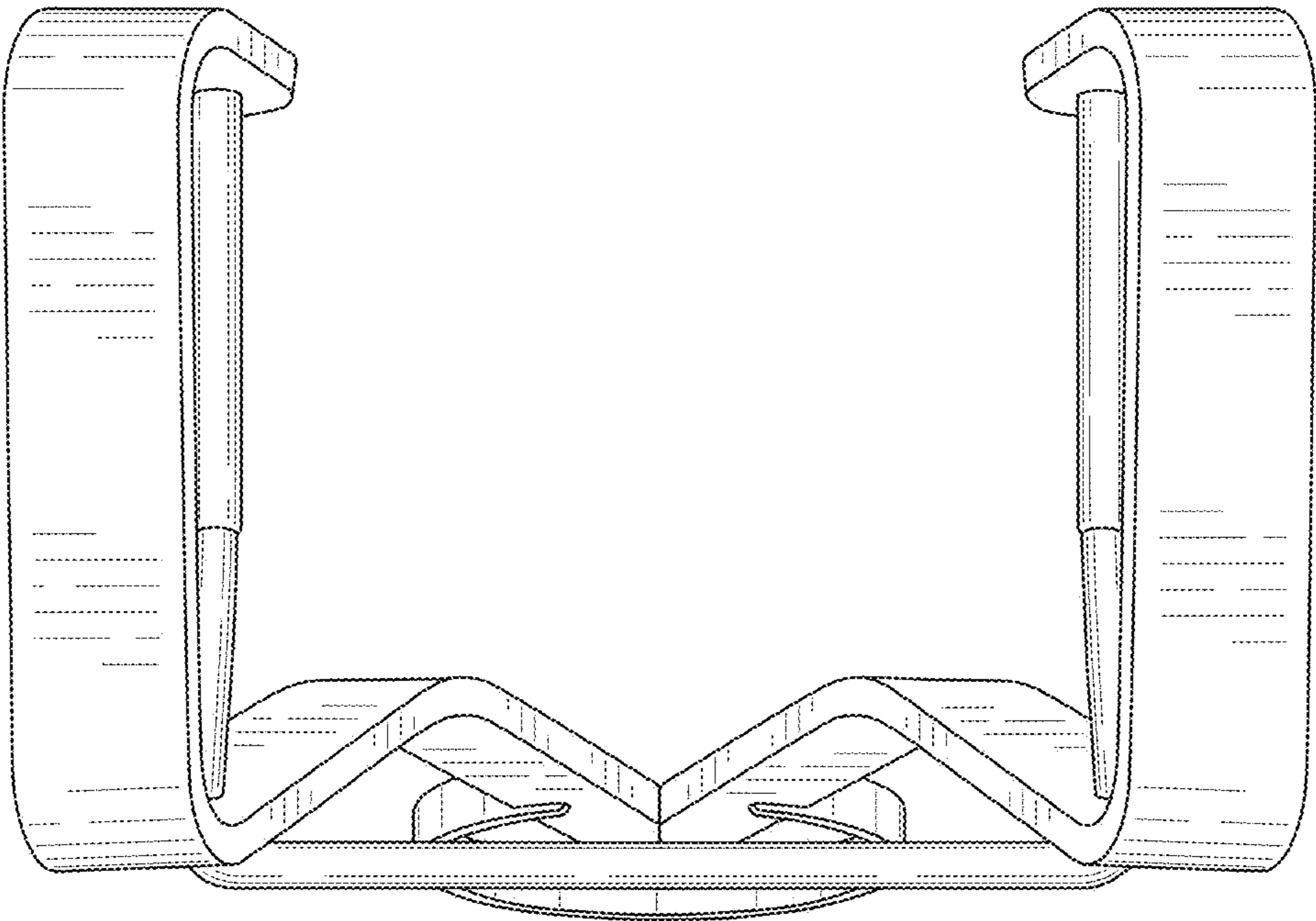


FIG. 7