



US00D948201S

(12) **United States Design Patent**  
**Wang**

(10) **Patent No.:** **US D948,201 S**  
(45) **Date of Patent:** **\*\* Apr. 12, 2022**

(54) **CRANK HANDLE DEVICE OF SUN UMBRELLA**

(71) Applicant: **Linhai Guokang Leisure Products Co., Ltd., Zhejiang (CN)**

(72) Inventor: **Ziguo Wang, Zhejiang (CN)**

(73) Assignee: **Linhai Guokang Leisure Products Co., Ltd.**

(\*\*) Term: **15 Years**

(21) Appl. No.: **29/733,963**

(22) Filed: **May 7, 2020**

(51) **LOC (13) Cl.** ..... **03-03**

(52) **U.S. Cl.**  
USPC ..... **D3/10**

(58) **Field of Classification Search**  
USPC ..... D3/5-17; D8/303; D22/137-142  
CPC .... A45B 3/02; A45B 3/04; A45B 9/02; A45B 11/00; A45B 15/00; A45B 17/00; A45B 19/00; A45B 19/04; A45B 19/08; A45B 19/10; A45B 21/00; A45B 2200/1081; A45B 23/00; A45B 2023/0012; A45B 2023/005; A45B 2023/0037; A45B 2023/0043; A45B 2023/0056; A45B 2023/0068; A45B 2023/0075; A45B 25/00; A45B 25/02; A45B 25/06; A45B 25/08; A45B 25/10; A45B 25/14; A45B 25/18; A45B 25/20; A45B 25/22; A45B 25/143; A45B 2025/003

See application file for complete search history.

(56) **References Cited**

**U.S. PATENT DOCUMENTS**

2,661,752 A \* 12/1953 Kampf ..... A45B 25/14  
135/20.3  
4,619,281 A \* 10/1986 Redl ..... A45B 25/14  
135/20.3

4,878,509 A \* 11/1989 Tung ..... A45B 17/00  
135/20.3  
5,437,297 A \* 8/1995 Crisman ..... A45B 25/14  
135/20.1  
D411,655 S \* 6/1999 Tung ..... D3/10  
D668,445 S \* 10/2012 Patzak ..... D3/10  
D826,543 S \* 8/2018 Ma ..... D3/5

(Continued)

**FOREIGN PATENT DOCUMENTS**

CN 303783861 \* 8/2016  
CN 305462569 \* 11/2019  
EM 007955034-0001 \* 8/2020

**OTHER PUBLICATIONS**

9' Round Tilt Silver Outdoor Patio Umbrella Frame, unknown first available date, crateandbarrel.com [online], [site visited Nov. 9, 2021], Available at URL: <https://www.crateandbarrel.com/9-round-tilt-silver-outdoor-patio-umbrella-frame/s580395> (Year: 2021).\*

*Primary Examiner* — Jeffrey D Asch  
*Assistant Examiner* — Caitlin A Laverty

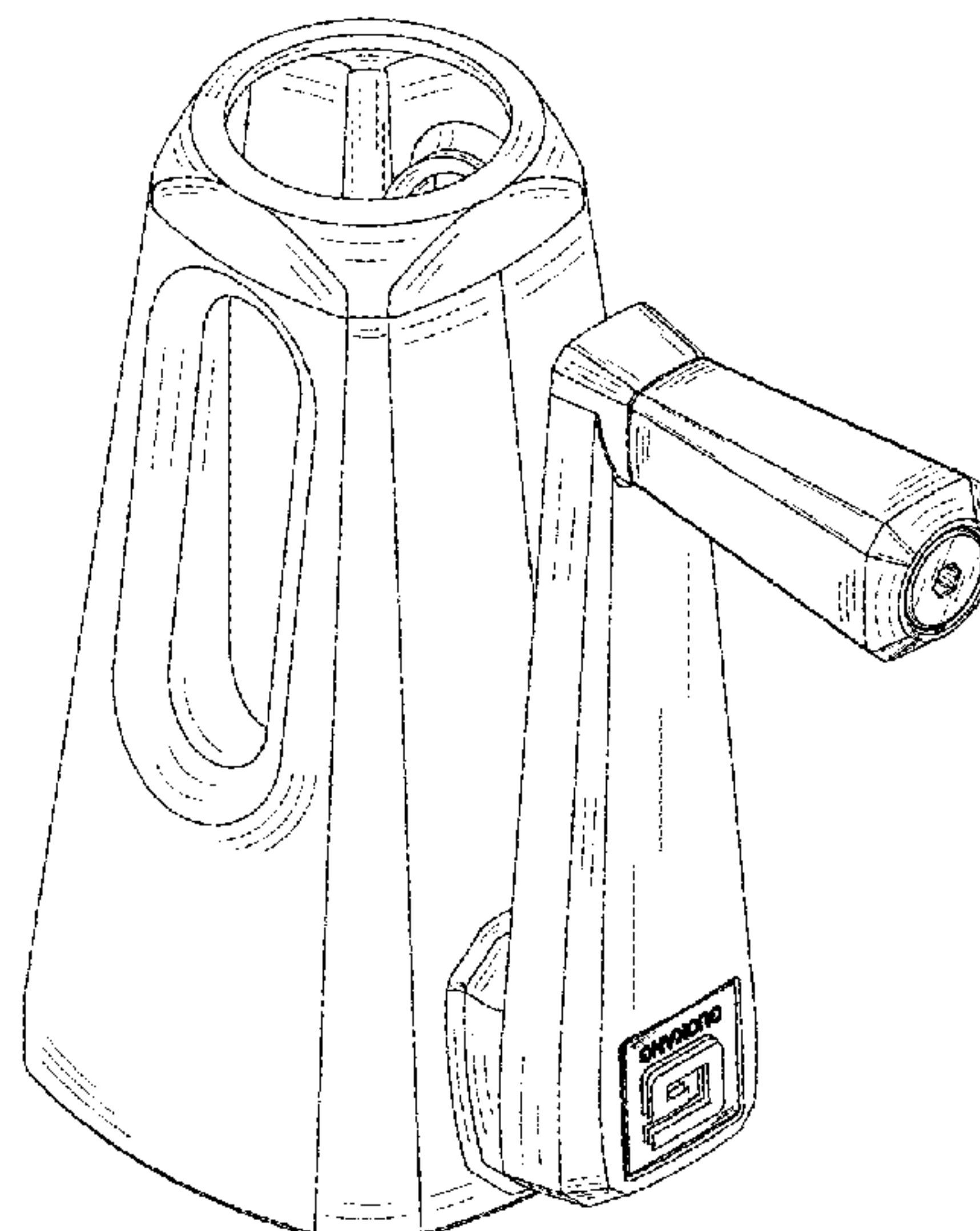
(57) **CLAIM**

The ornamental design for a crank handle device of sun umbrella, as shown and described.

**DESCRIPTION**

FIG. 1 is a front view of the crank handle device of sun umbrella showing my new design;  
FIG. 2 is a back view thereof;  
FIG. 3 is a left side view thereof;  
FIG. 4 is a right side view thereof;  
FIG. 5 is a top view thereof;  
FIG. 6 is a bottom view thereof;  
FIG. 7 is a perspective view thereof; and,  
FIG. 8 is another perspective view thereof.  
The “G Guokang” logo forming part of the disclosure is a registered trademark of Linhai Guokang Leisure Products Co., Ltd.

**1 Claim, 8 Drawing Sheets**



(56)

**References Cited**

U.S. PATENT DOCUMENTS

D828,995 S \* 9/2018 Ma ..... D3/10  
11,206,903 B2 \* 12/2021 Ma ..... A45B 17/00

\* cited by examiner

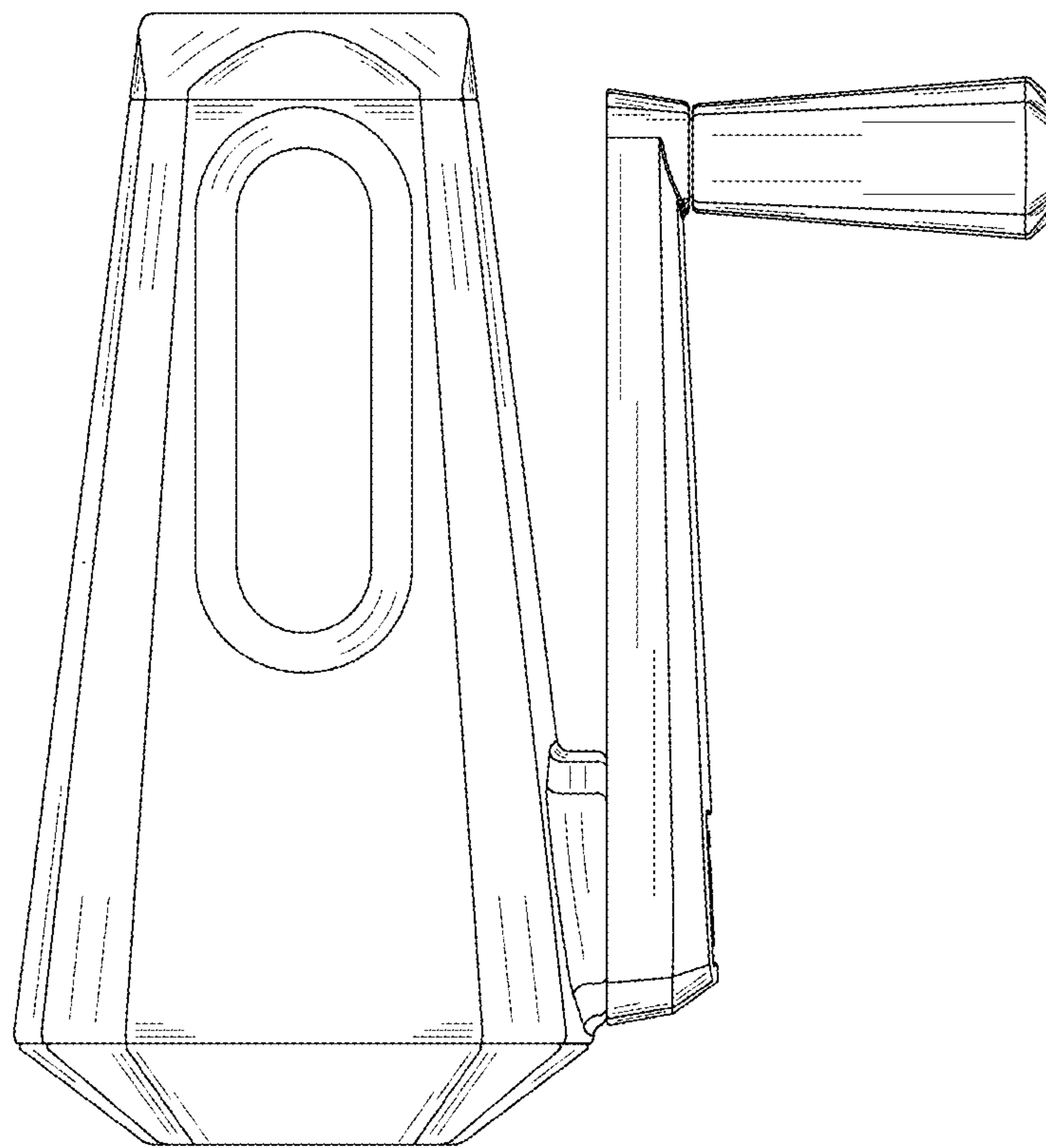


FIG. 1

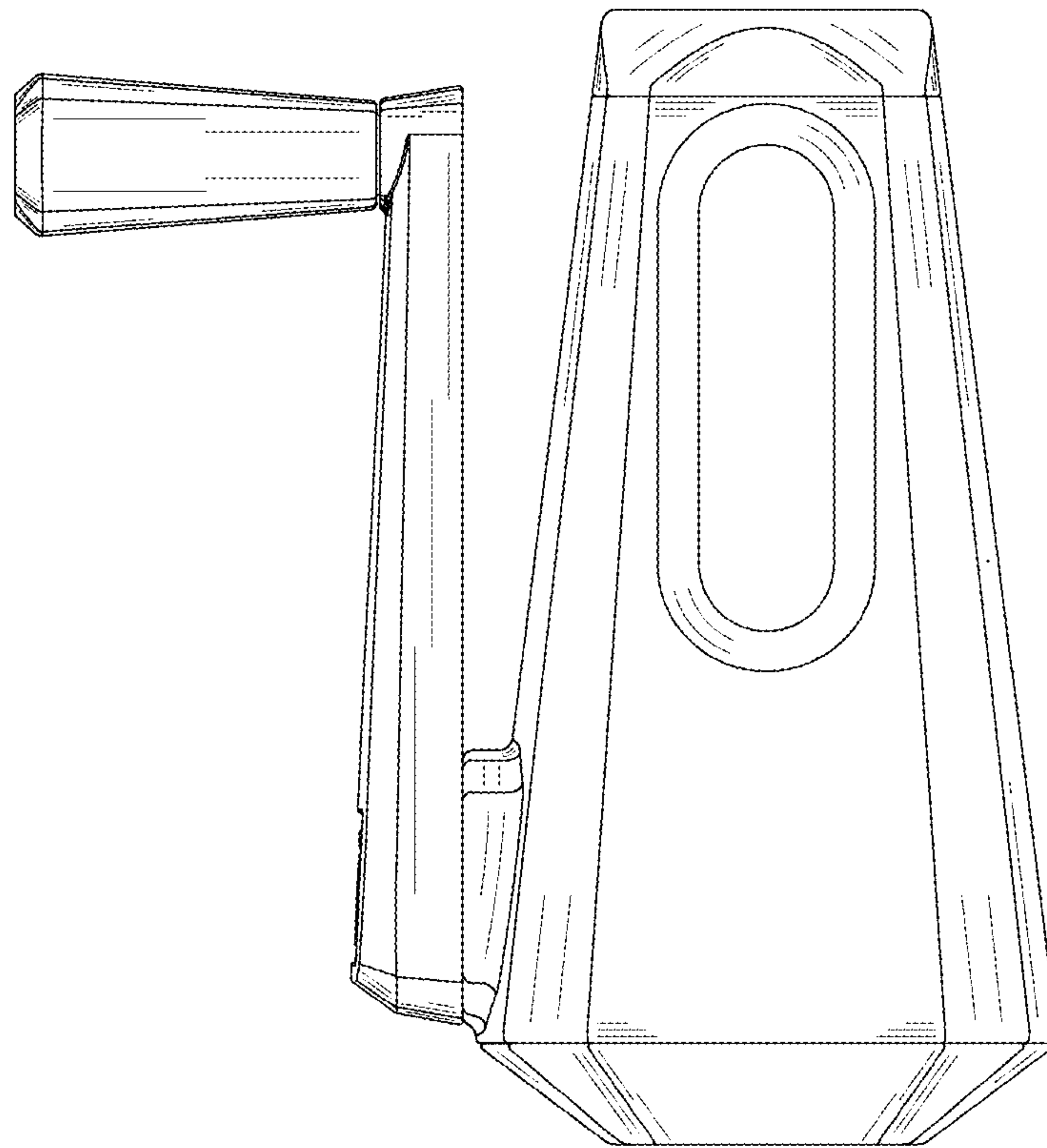


FIG. 2

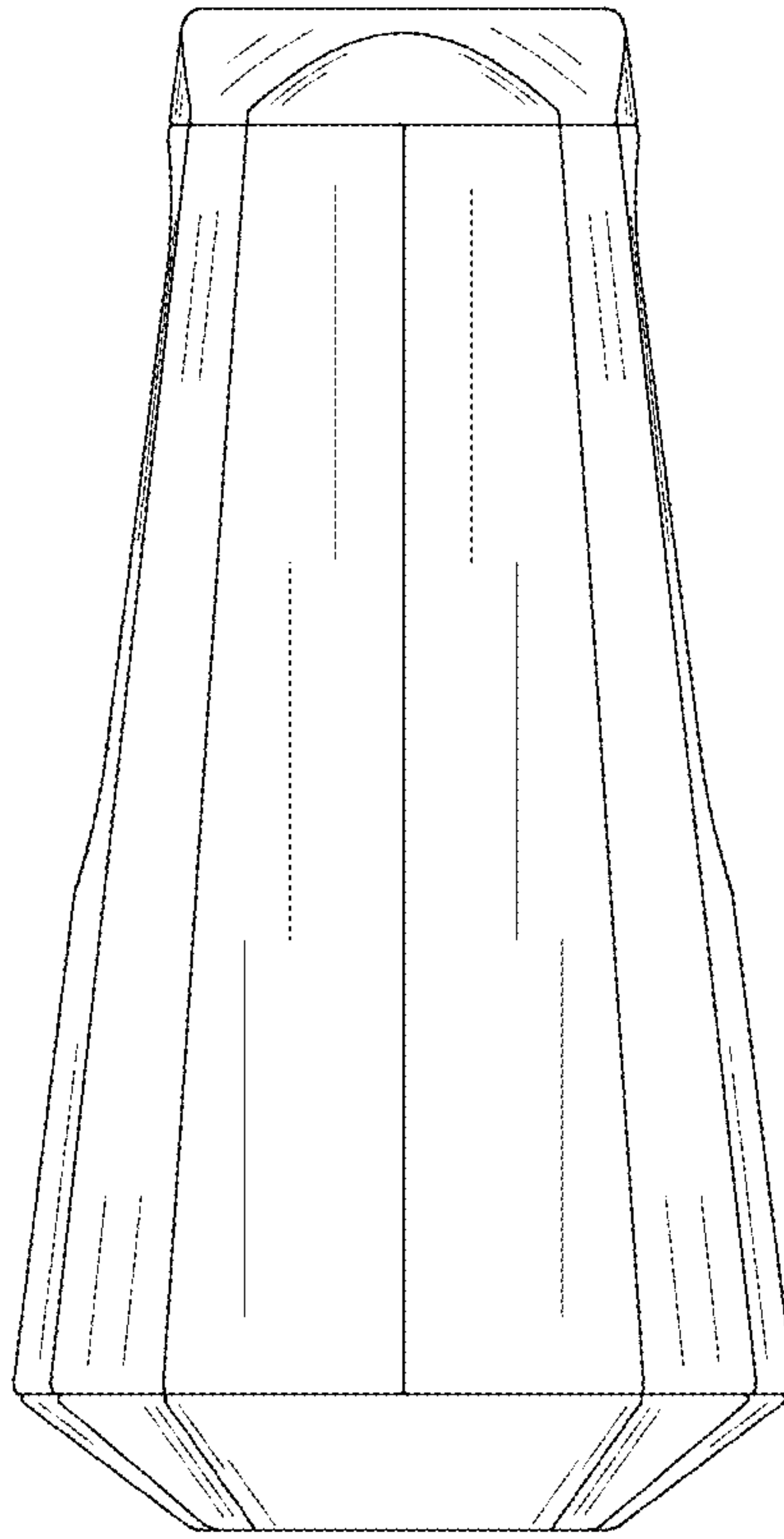


FIG. 3

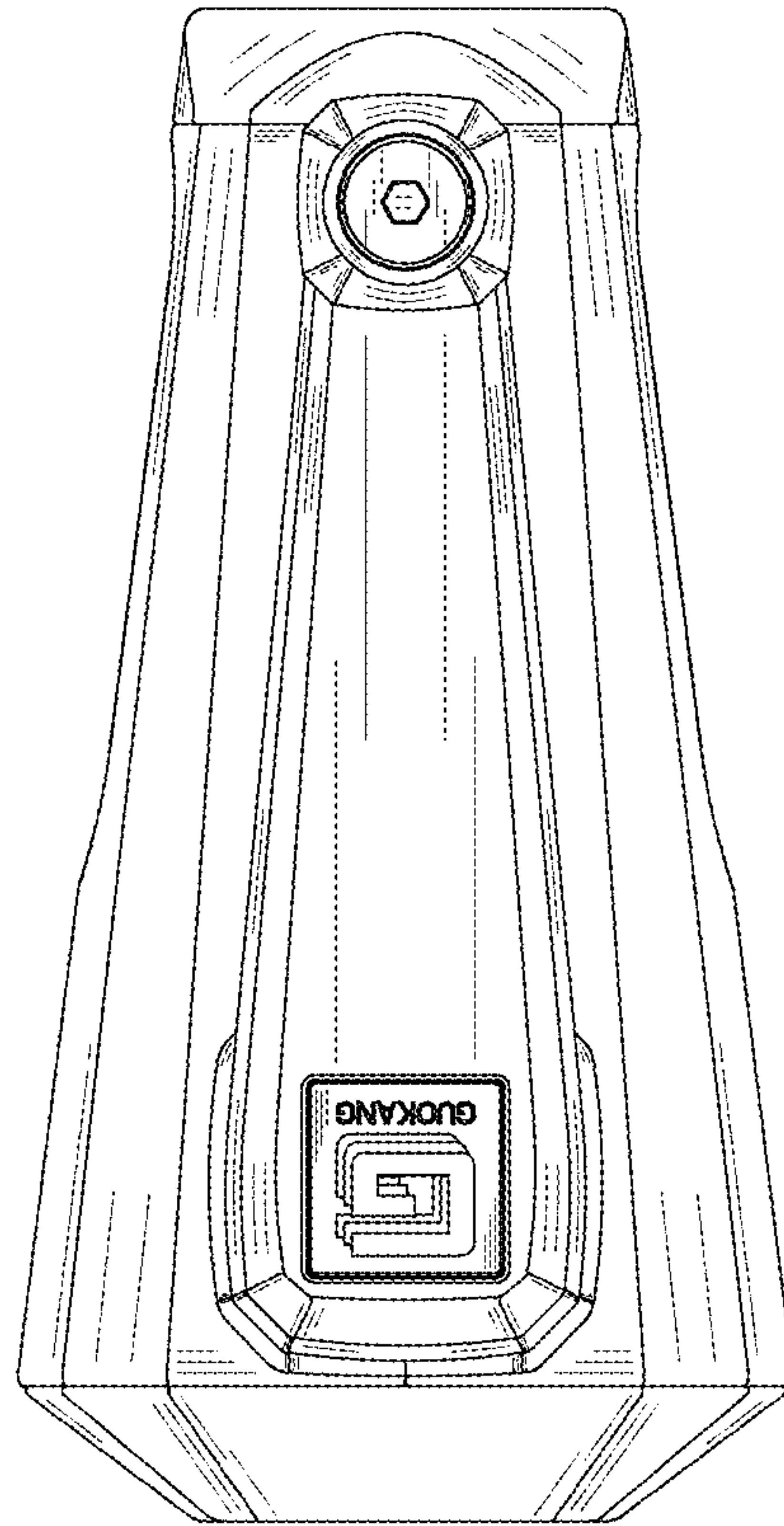


FIG. 4

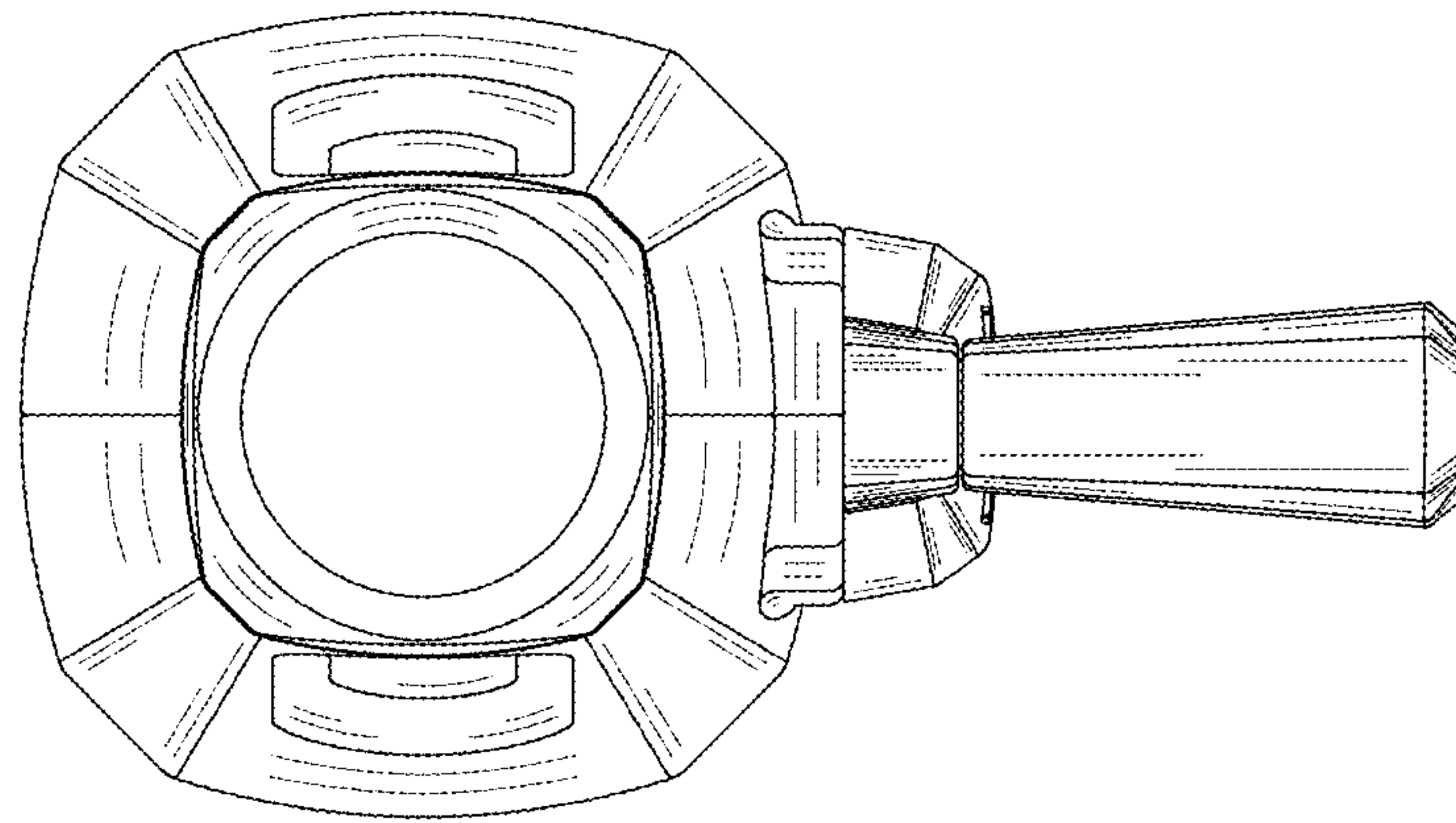


FIG. 5



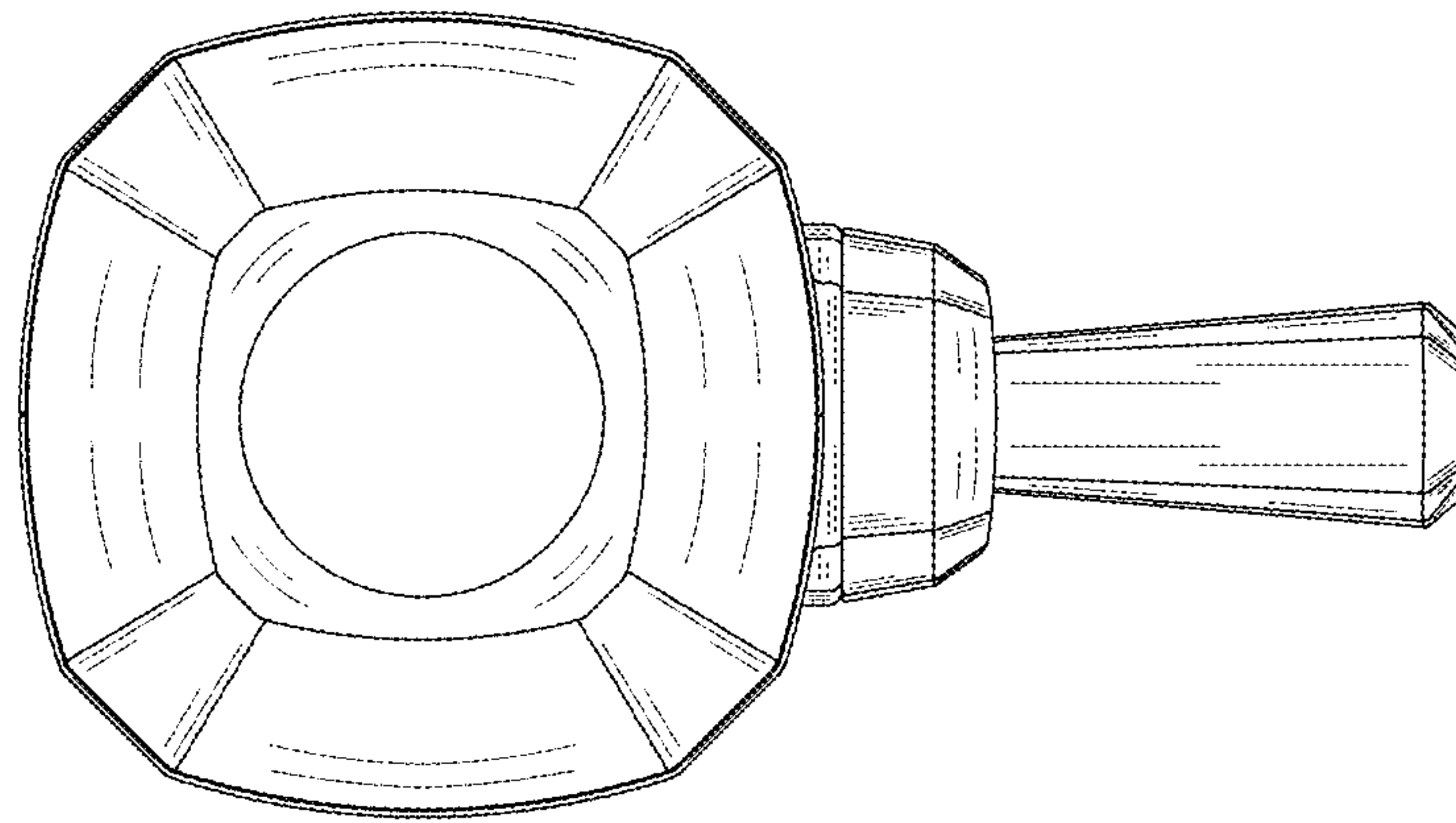


FIG. 6



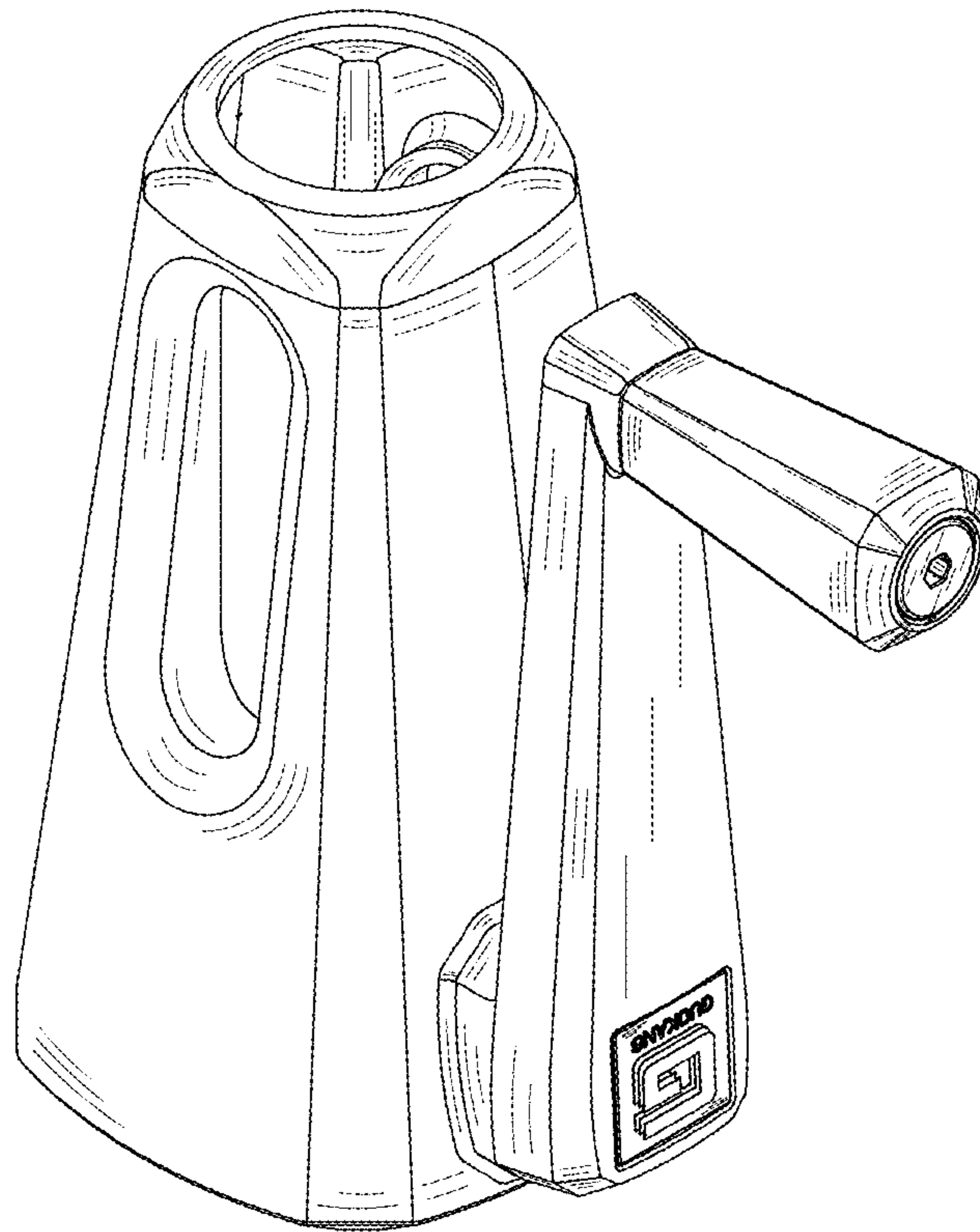


FIG. 7

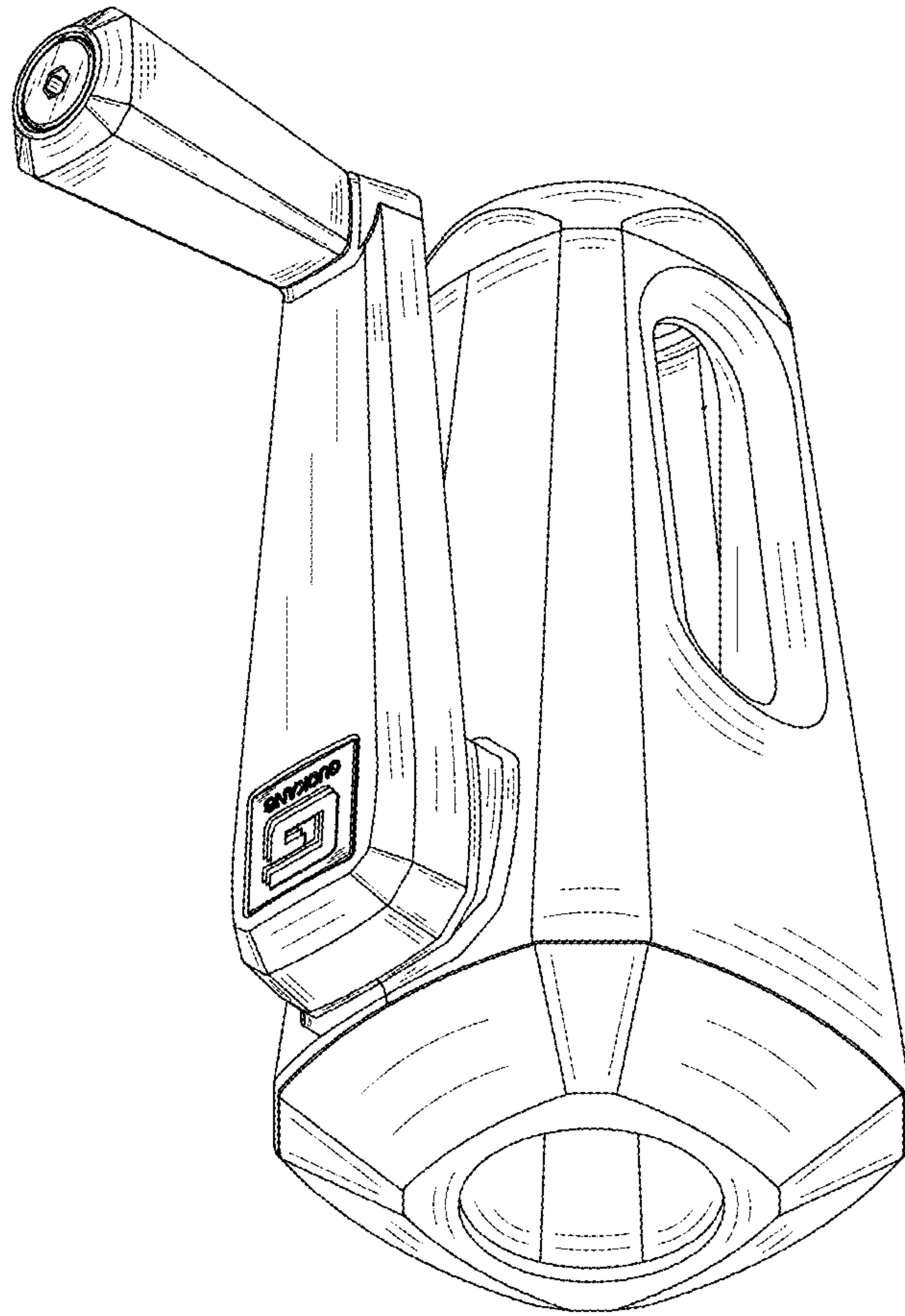


FIG. 8