



US00D948175S

(12) **United States Design Patent**
Huang

(10) **Patent No.:** **US D948,175 S**

(45) **Date of Patent:** **** Apr. 12, 2022**

- (54) **HAT SHAPER**
- (71) Applicant: **Xinbo Huang**, Chino Hills, CA (US)
- (72) Inventor: **Xinbo Huang**, Chino Hills, CA (US)
- (**) Term: **15 Years**
- (21) Appl. No.: **29/652,118**
- (22) Filed: **May 14, 2020**
- (51) **LOC (13) Cl.** **02-03**
- (52) **U.S. Cl.**
USPC **D2/892; D3/302**
- (58) **Field of Classification Search**
USPC D2/865, 866, 869, 891, 892, 999;
D3/201, 273, 276, 271.4, 302; D9/414,
D9/431
CPC A42C 1/00; A42C 1/02; A42C 1/04; A42C
1/06; A45C 11/02; B65D 85/18; B65D
5/00
See application file for complete search history.

- 3,256,974 A * 6/1966 Weiss B65D 5/5038
206/9
- D381,197 S * 7/1997 Green D3/201
- D451,386 S * 12/2001 Rice D3/302
- D745,276 S * 12/2015 Wang D3/273
- D777,027 S * 1/2017 Baker D9/418
- D848,834 S * 5/2019 Exner D9/431
- D918,714 S * 5/2021 Blomberg D9/432
- 2021/0353020 A1 * 11/2021 Huang A45C 11/02

* cited by examiner

Primary Examiner — Jasmine Mlinarcik

(57) **CLAIM**

The ornamental design for a hat shaper, as shown and described.

DESCRIPTION

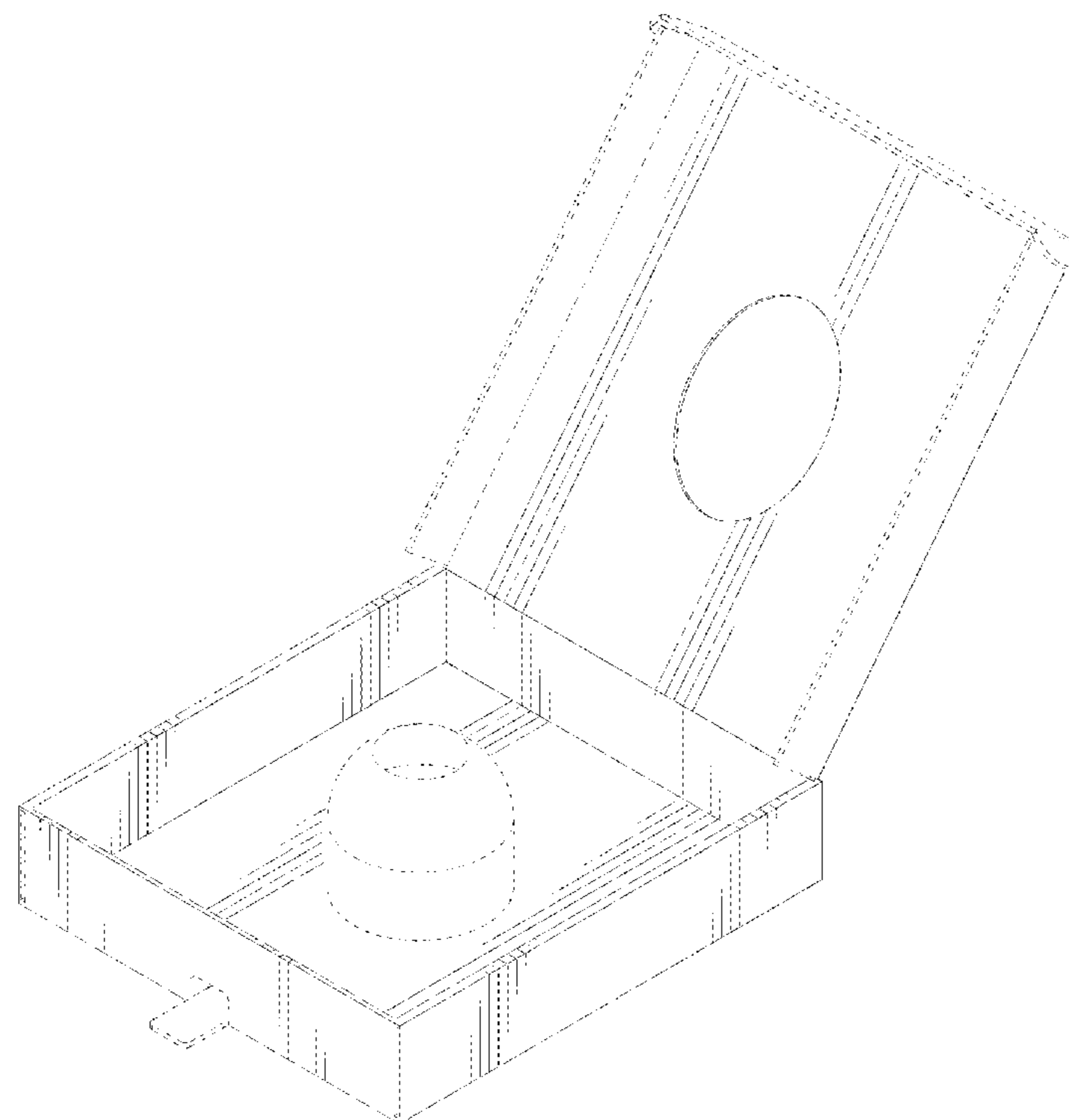
FIG. 1 is a front top left perspective view of a hat shaper; FIG. 2 is a front top right perspective view thereof; FIG. 3 is a rear top right perspective view thereof; FIG. 4 is a rear top left perspective view thereof; FIG. 5 is a rear bottom right perspective view thereof; FIG. 6 is a front elevational view thereof; FIG. 7 is a rear elevational view thereof; FIG. 8 is a top plan view thereof; FIG. 9 is a bottom plan view thereof; FIG. 10 is a left elevational view thereof; and, FIG. 11 is a right elevational view thereof. The broken lines in FIGS. 1-11 and the unshaded areas within the broken lines define portions of the hat shaper that form no part of the claimed design.

1 Claim, 11 Drawing Sheets

(56) **References Cited**

U.S. PATENT DOCUMENTS

- 1,782,414 A * 11/1930 Duer A45C 11/02
190/6
- 2,258,582 A * 10/1941 Berg, Jr. A45C 11/02
206/8
- 2,343,128 A * 2/1944 Anderson A45C 11/02
206/9
- 2,414,203 A * 1/1947 Johnson B65D 85/18
206/8
- 2,725,977 A * 12/1955 Lev A45C 11/02
206/8



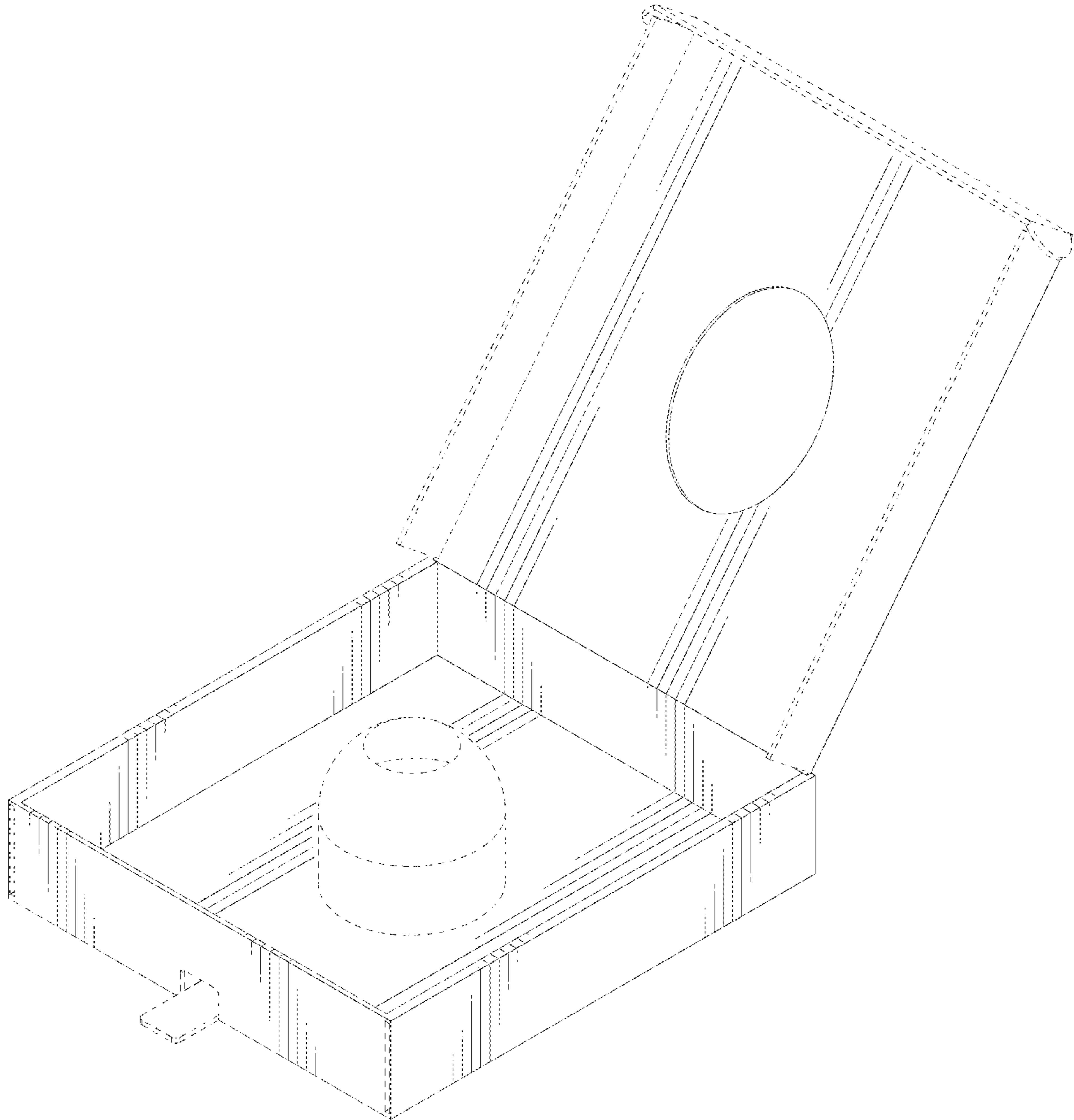


FIG. 1

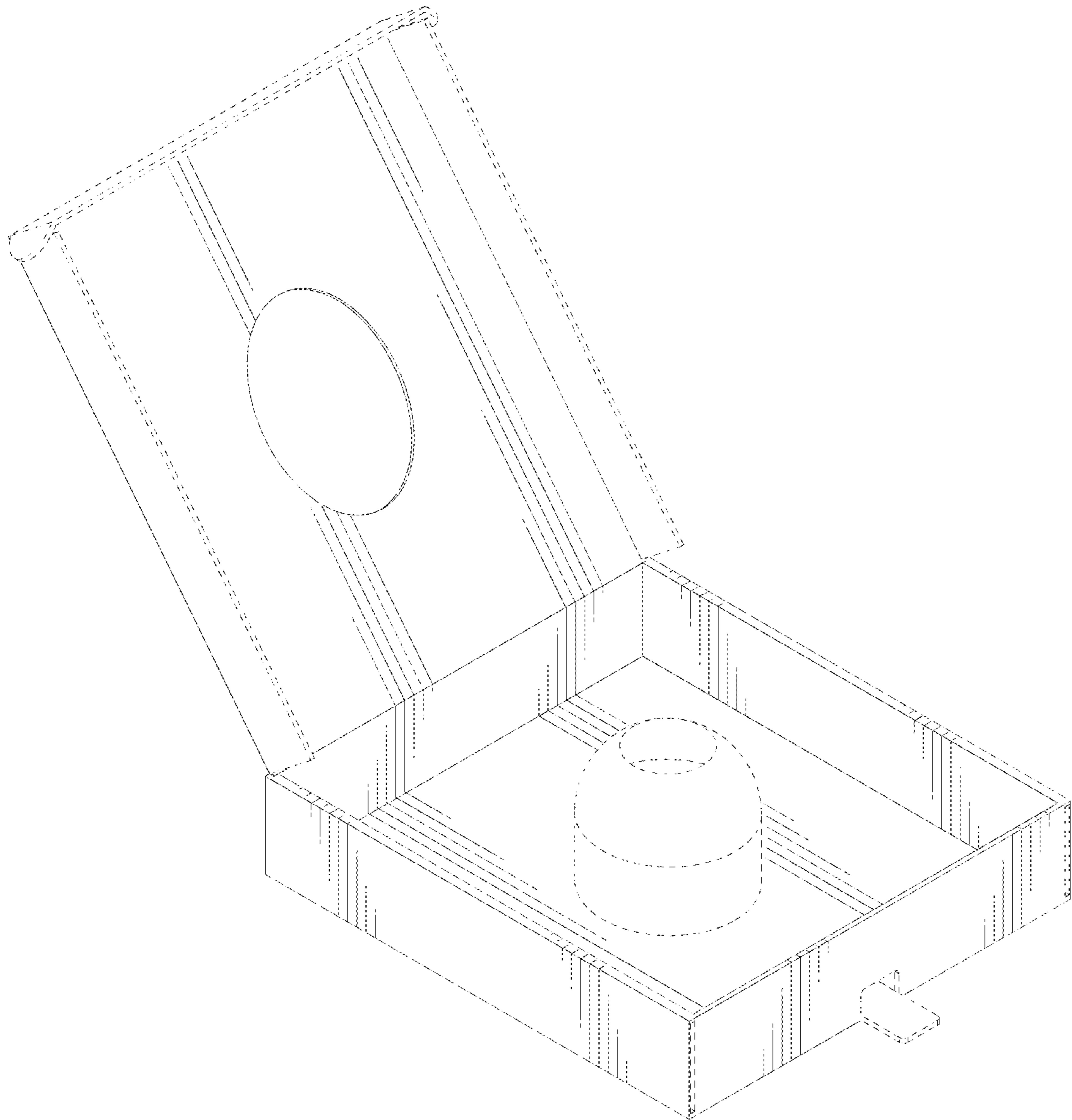


FIG. 2

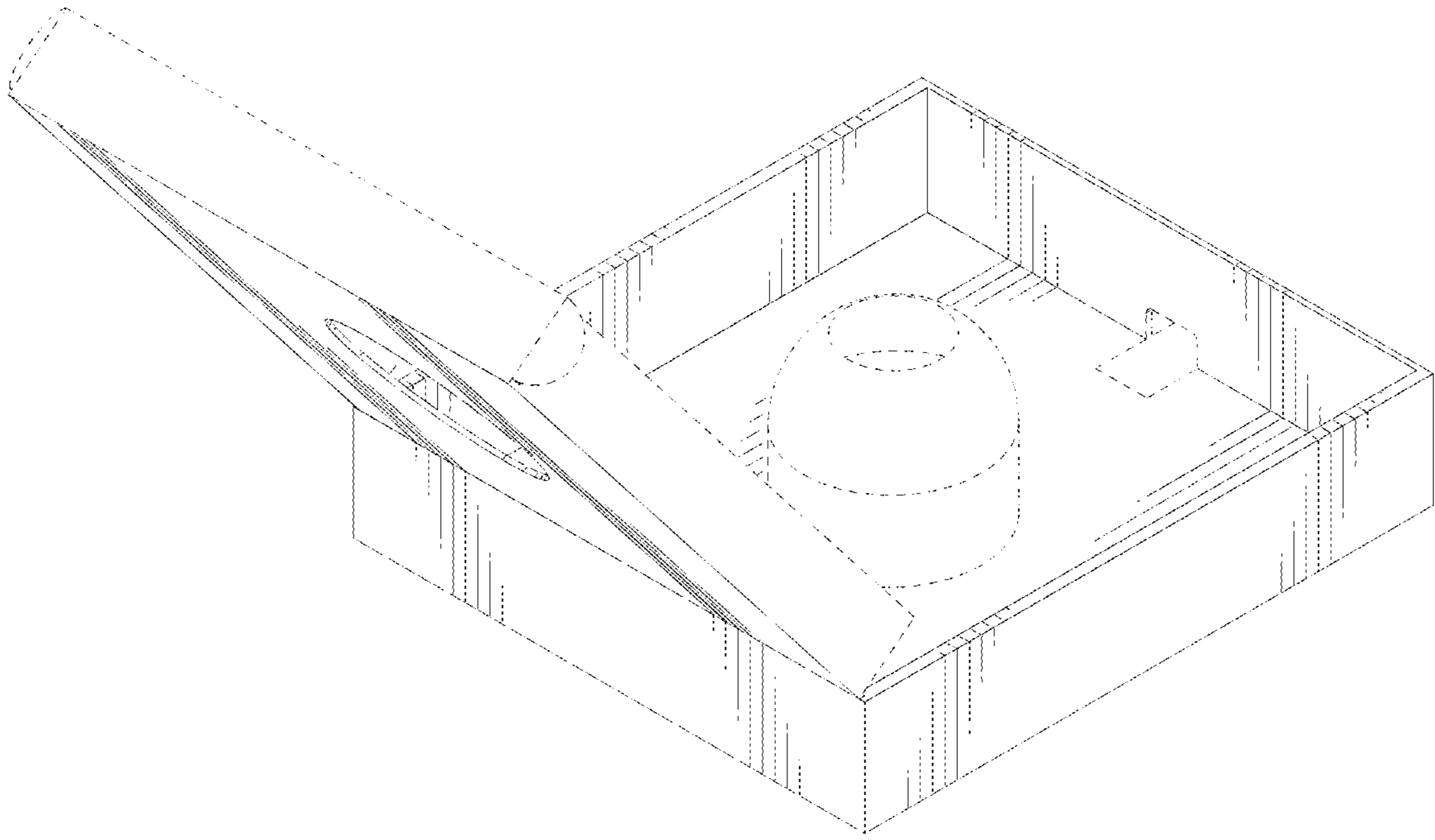


FIG. 3

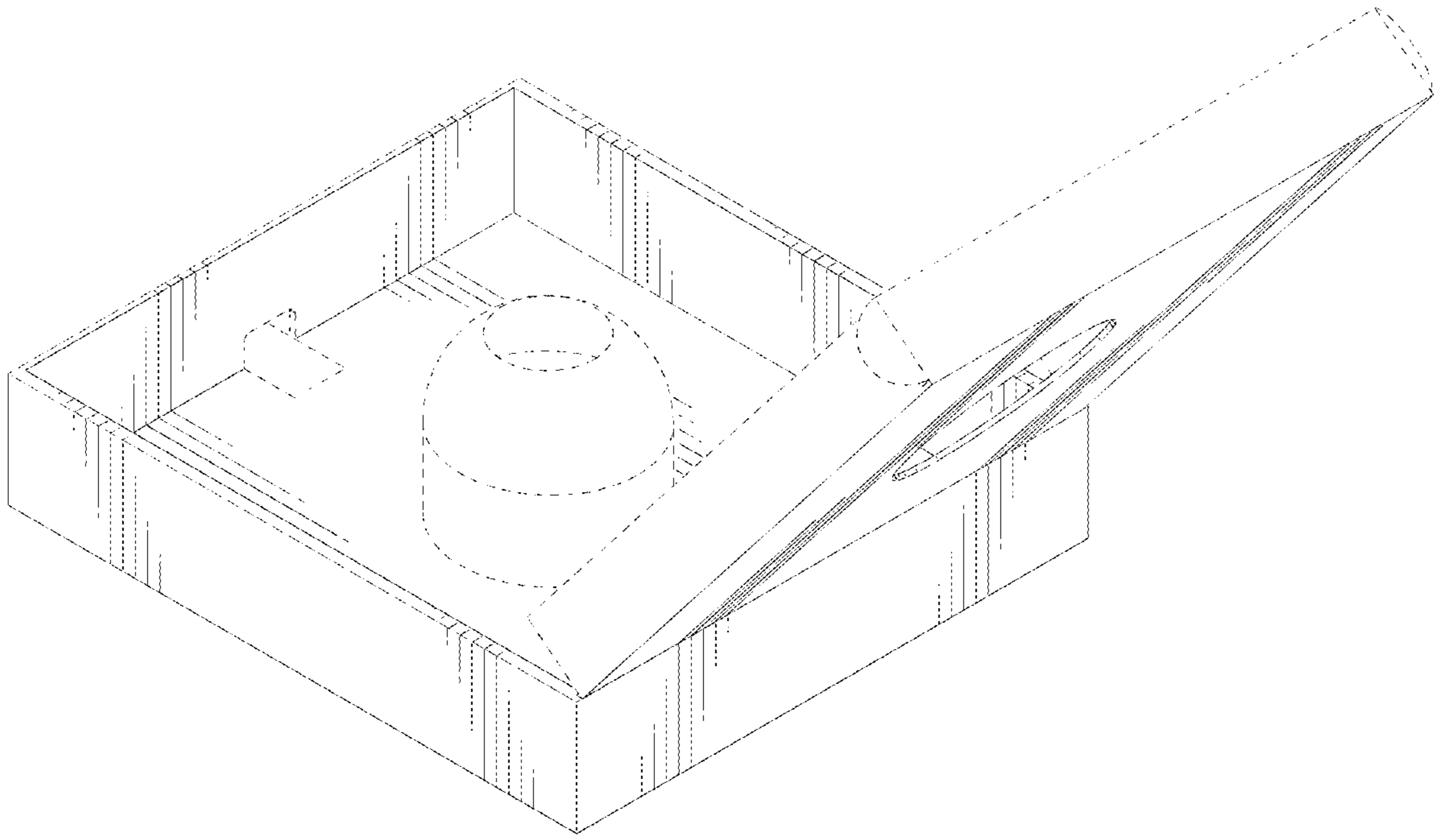


FIG. 4

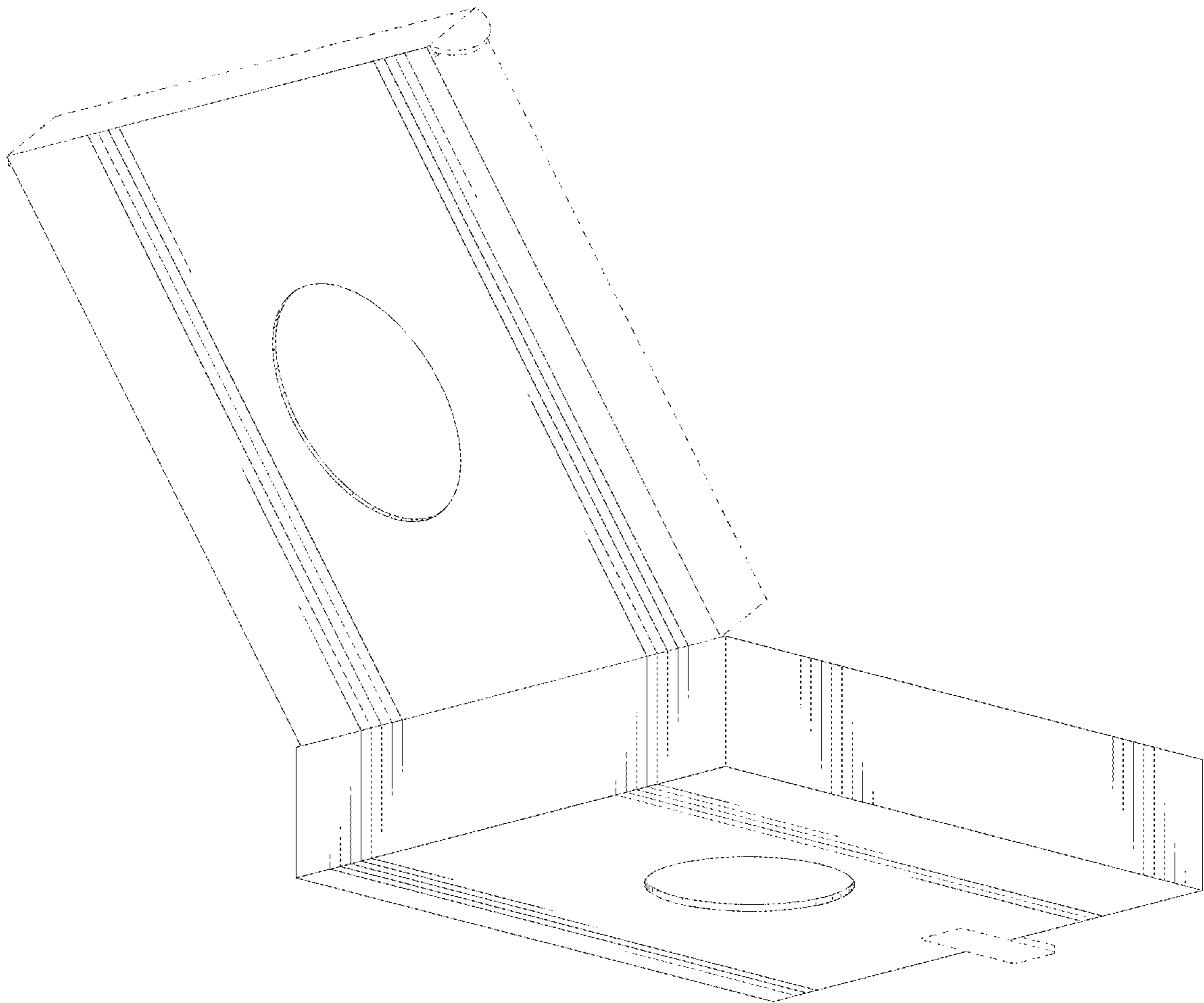


FIG. 5

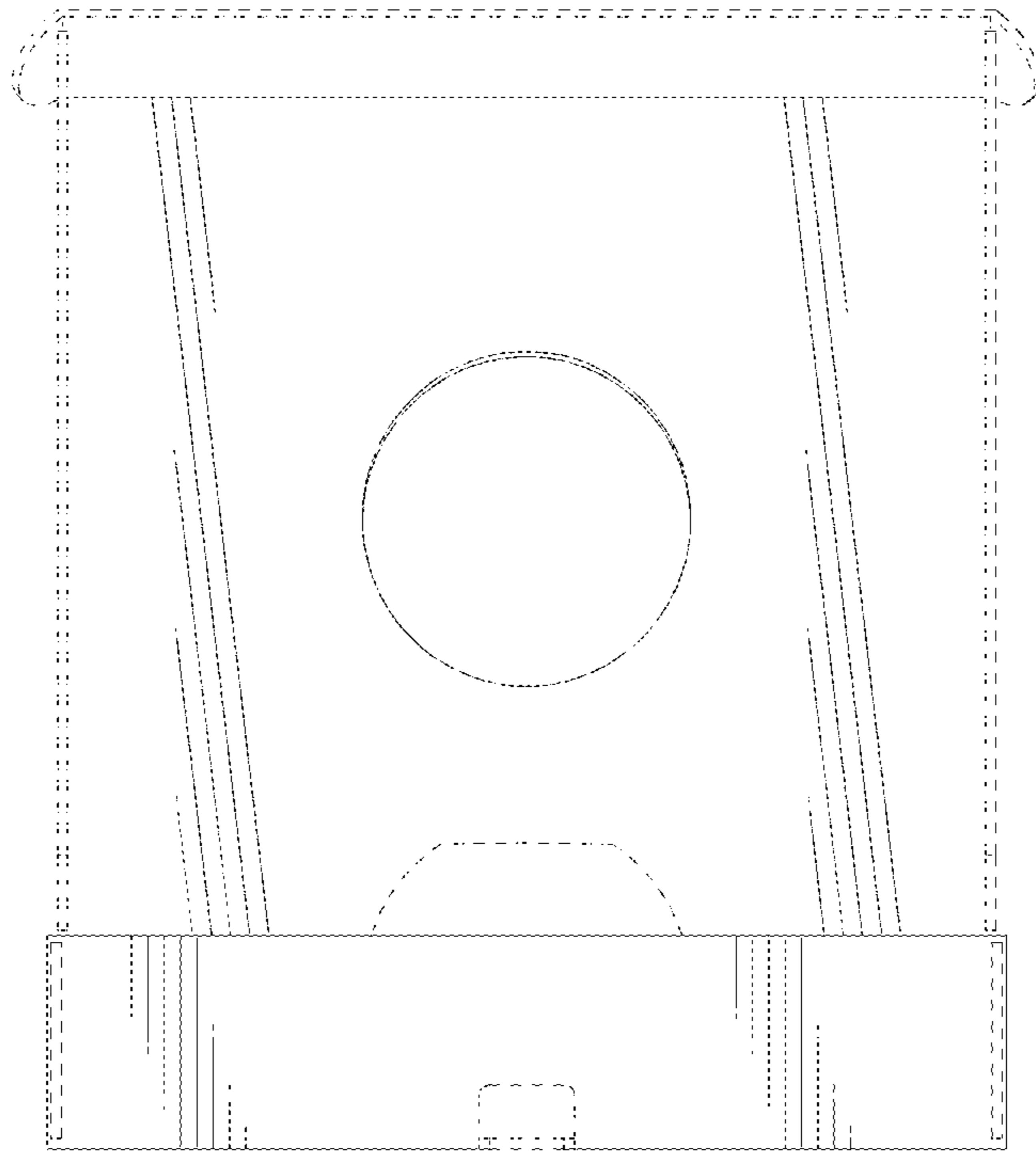


FIG. 6

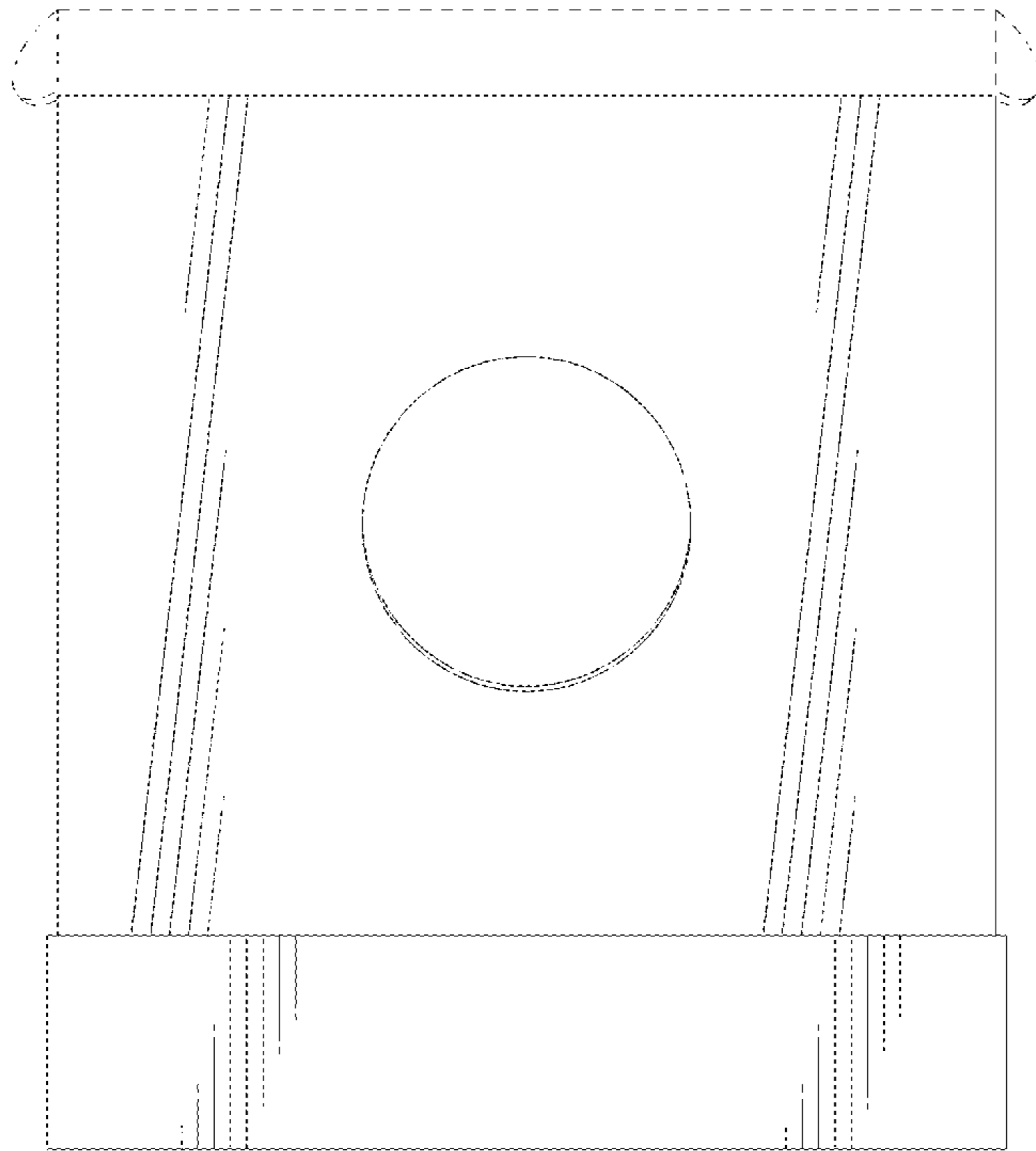


FIG. 7

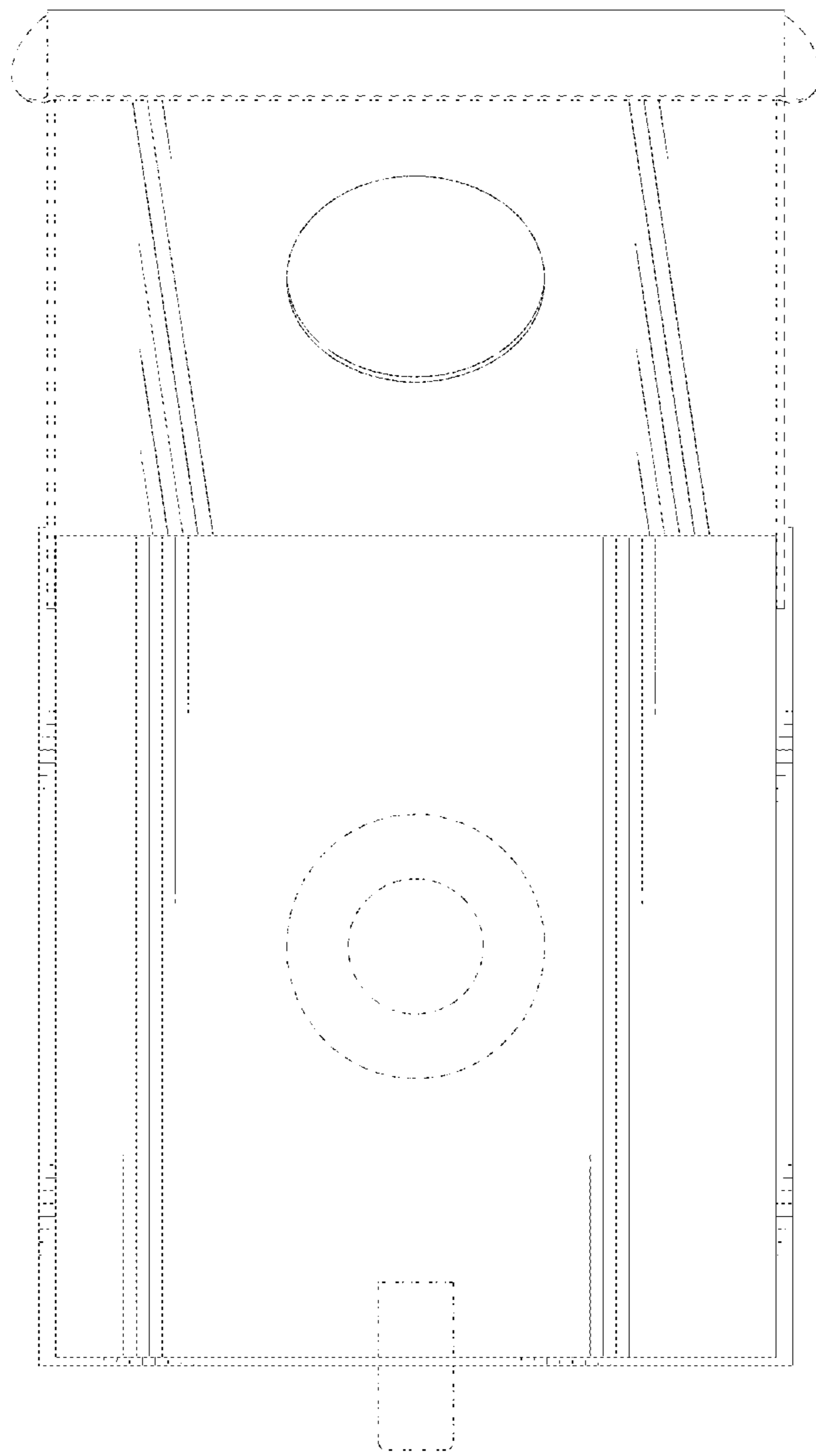


FIG. 8

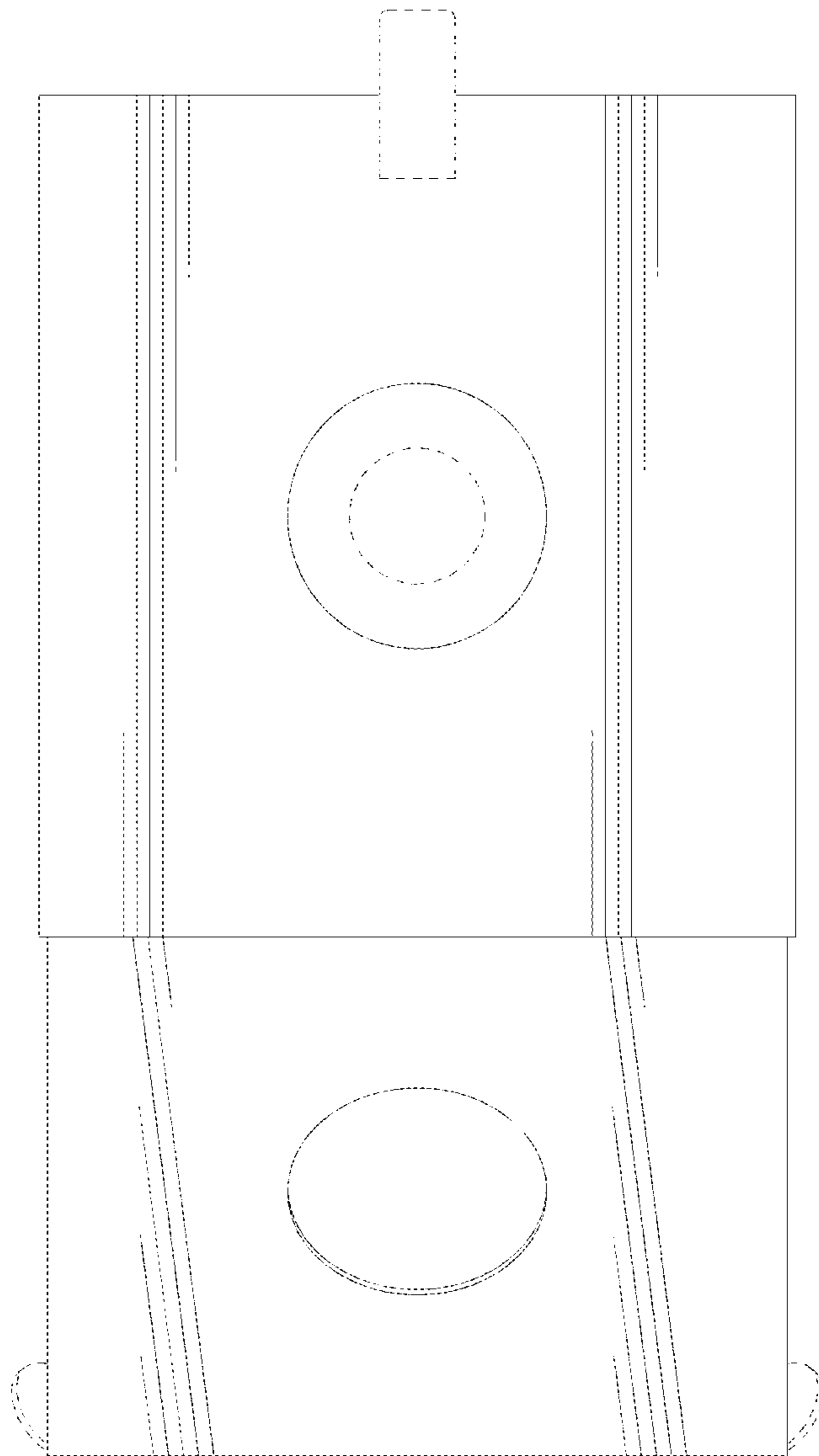


FIG. 9

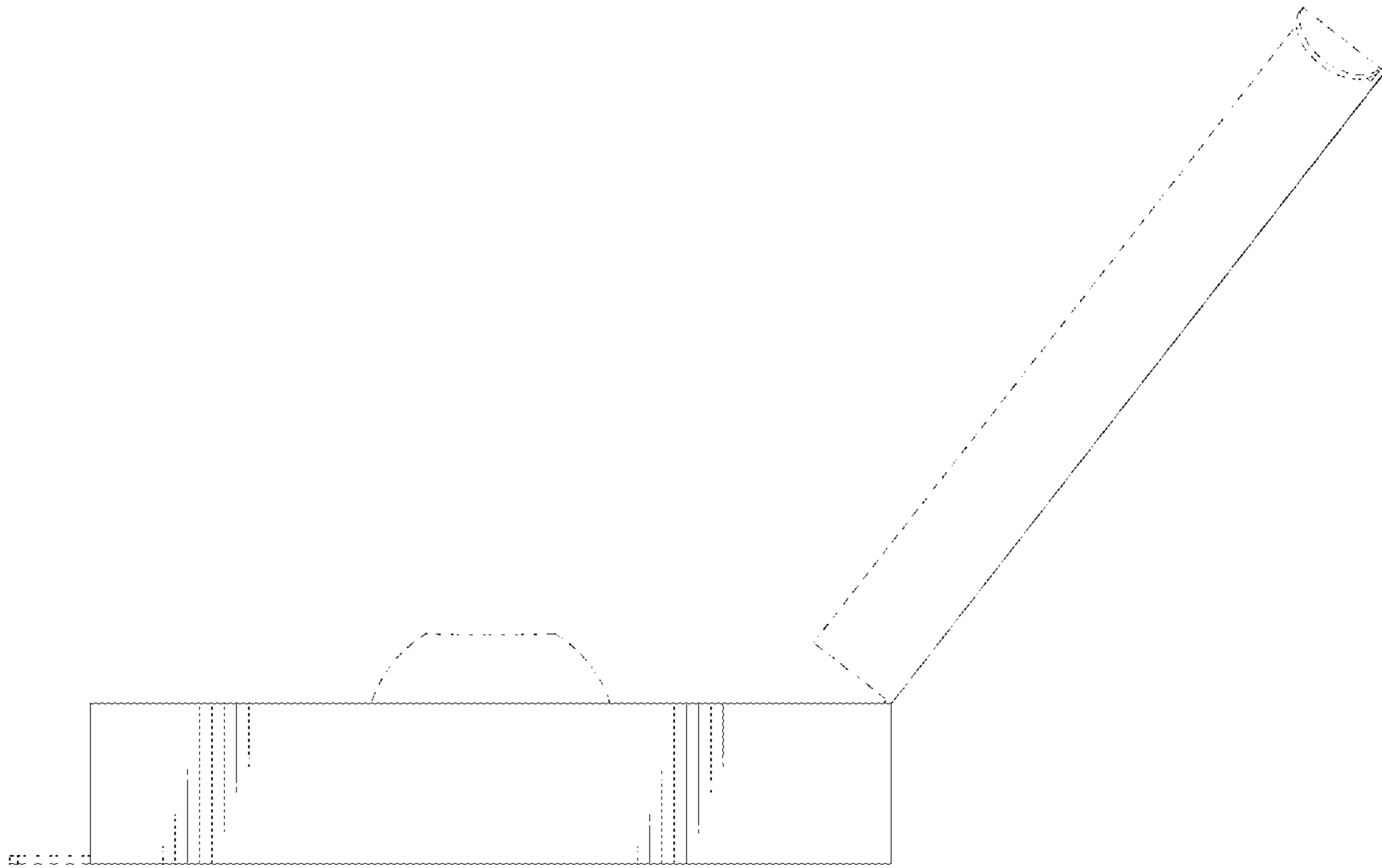


FIG. 10

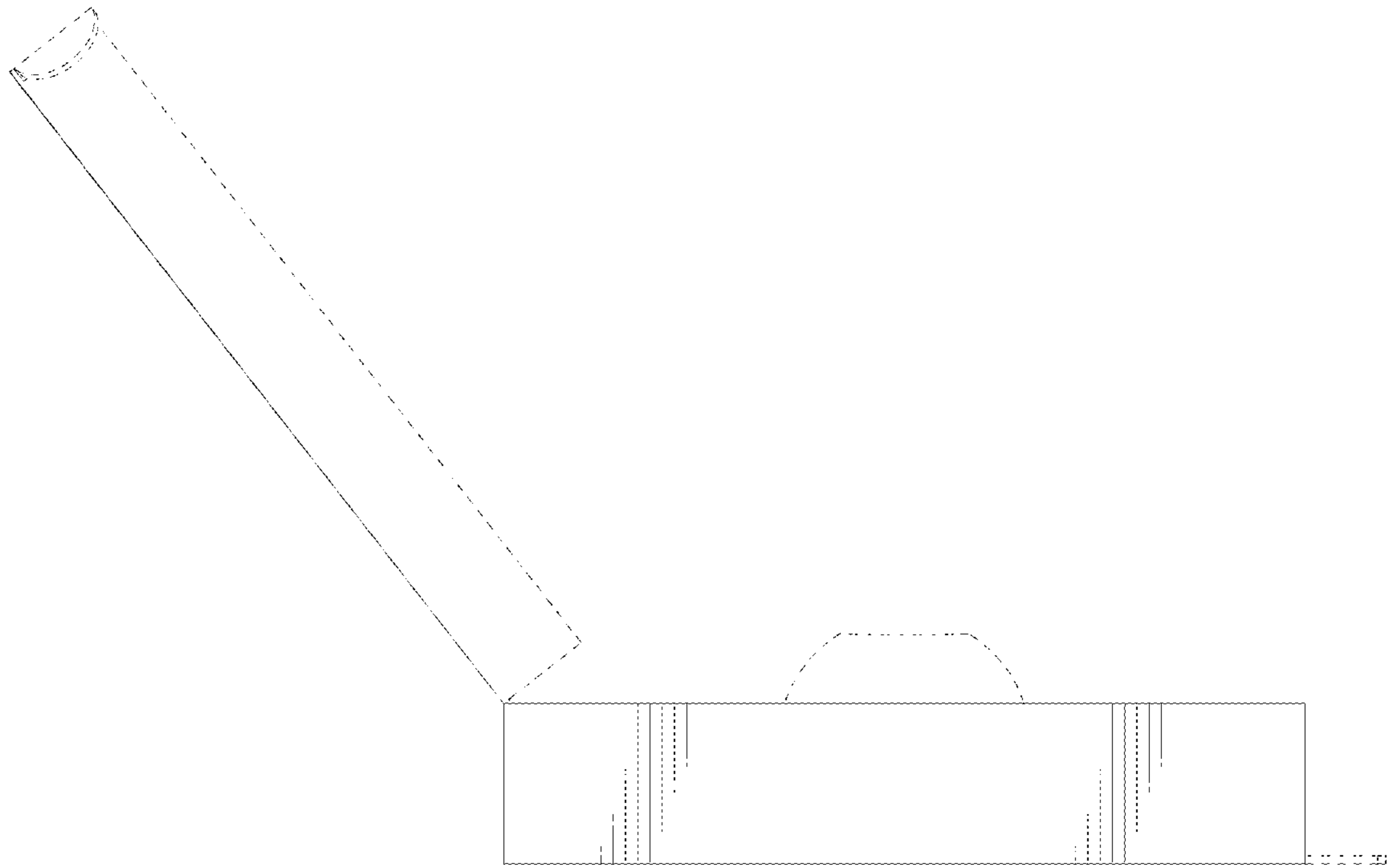


FIG. 11