



US00D948172S

(12) **United States Design Patent**  
**Wei**

(10) **Patent No.:** **US D948,172 S**

(45) **Date of Patent:** **\*\* Apr. 12, 2022**

(54) **HAT**  
(71) Applicant: **SHENZHEN ECODI TECHNOLOGY CO., LTD**, Shenzhen (CN)

(72) Inventor: **Jingfang Wei**, Shenzhen (CN)

(73) Assignee: **SHENZHEN ECODI TECHNOLOGY CO., LTD**, Shenzhen (CN)

(\*\*) Term: **15 Years**

(21) Appl. No.: **29/777,513**

(22) Filed: **Apr. 6, 2021**

(51) **LOC (13) Cl.** ..... **02-03**

(52) **U.S. Cl.**  
USPC ..... **D2/878**

(58) **Field of Classification Search**  
USPC ..... D2/865, 866, 867, 869, 870, 872, 873, D2/878, 879, 882, 883, 885, 886, 888, D2/889, 891, 895; D14/172, 205, 192; D26/39; D28/41  
CPC .. A42B 1/00; A42B 1/004; A42B 1/02; A42B 1/04; A42B 1/041; A42B 1/061; A42B 1/062; A42B 1/066; A42B 1/12; A42B 1/24; A42B 1/242; A42B 1/225; A42B 1/248; A42C 5/00; H04R 1/02; H04R 1/105

See application file for complete search history.

(56) **References Cited**

**U.S. PATENT DOCUMENTS**

- D472,695 S \* 4/2003 Lee ..... D2/889
- 8,008,564 B2 \* 8/2011 Wilens ..... A42B 1/245  
84/649
- D791,449 S 7/2017 Hernandez
- 9,968,152 B2 \* 5/2018 Chiang ..... A42B 1/241
- D834,415 S 11/2018 Luther
- D872,424 S \* 1/2020 Schweiger ..... D2/889
- D892,447 S \* 8/2020 Chen ..... D2/870

- D919,243 S \* 5/2021 Guo ..... D2/878
- D935,745 S \* 11/2021 Murphy ..... A42B 1/12  
D2/867
- D938,080 S \* 12/2021 Li ..... D26/38
- 2014/0049947 A1 \* 2/2014 Lombard ..... A41D 19/0157  
362/105

(Continued)

**OTHER PUBLICATIONS**

LihupZone LED Display Beanie Hat Bluetooth . . . [online]; [date first available to the internet Oct. 13, 2021]; [retrieved from the internet on Feb. 25, 2022]; URL: <https://www.ubuy.com.tr/en/product/41FF1HU2M-lihupzone-led-display-beanie-hat-bluetooth-app-diy-smart-cap-for-costumes-cosplay-party-masquerade-led-screen-light-up-cap-black>. (3 pages). (Year: 2021).\*

(Continued)

*Primary Examiner* — Jasmine Mlinarcik

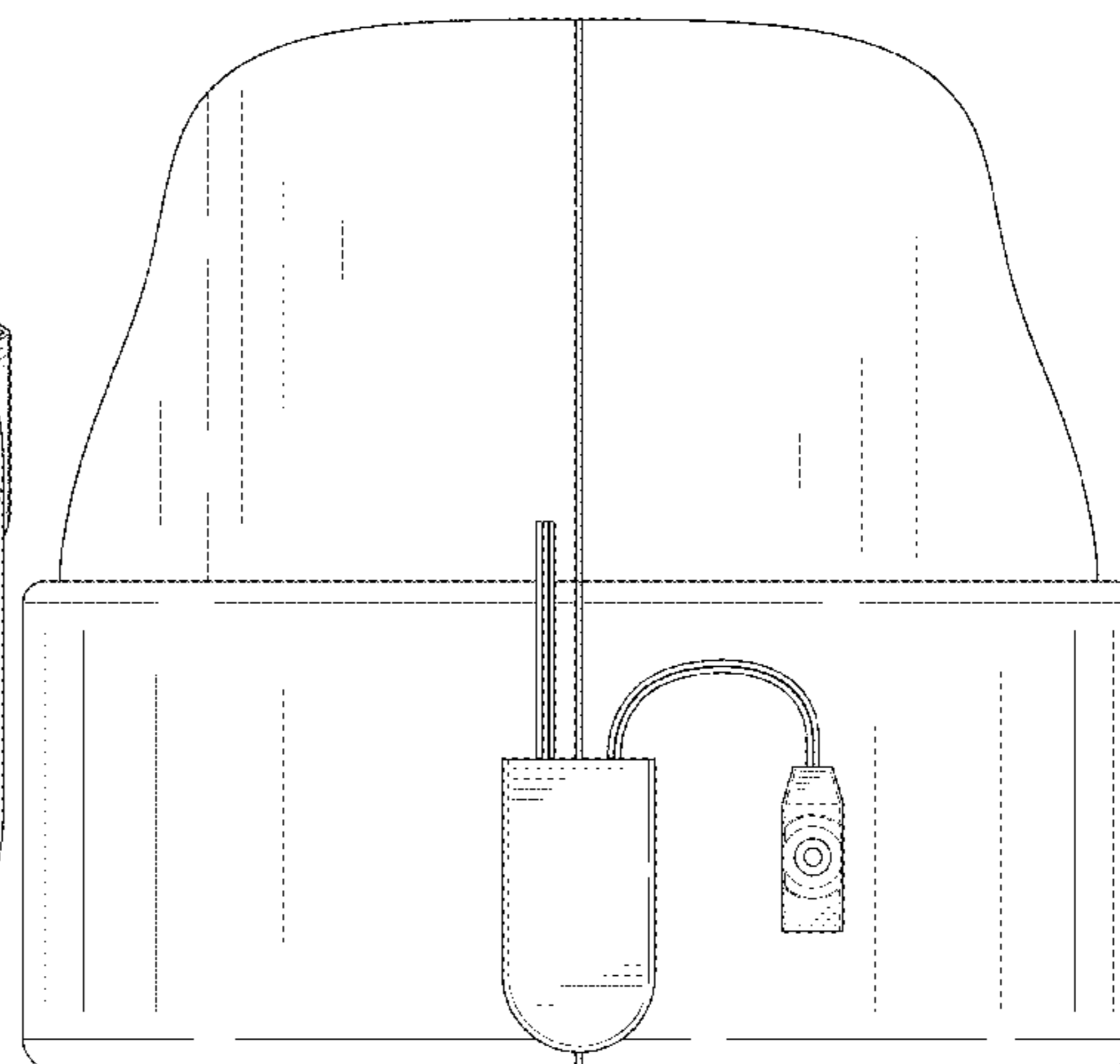
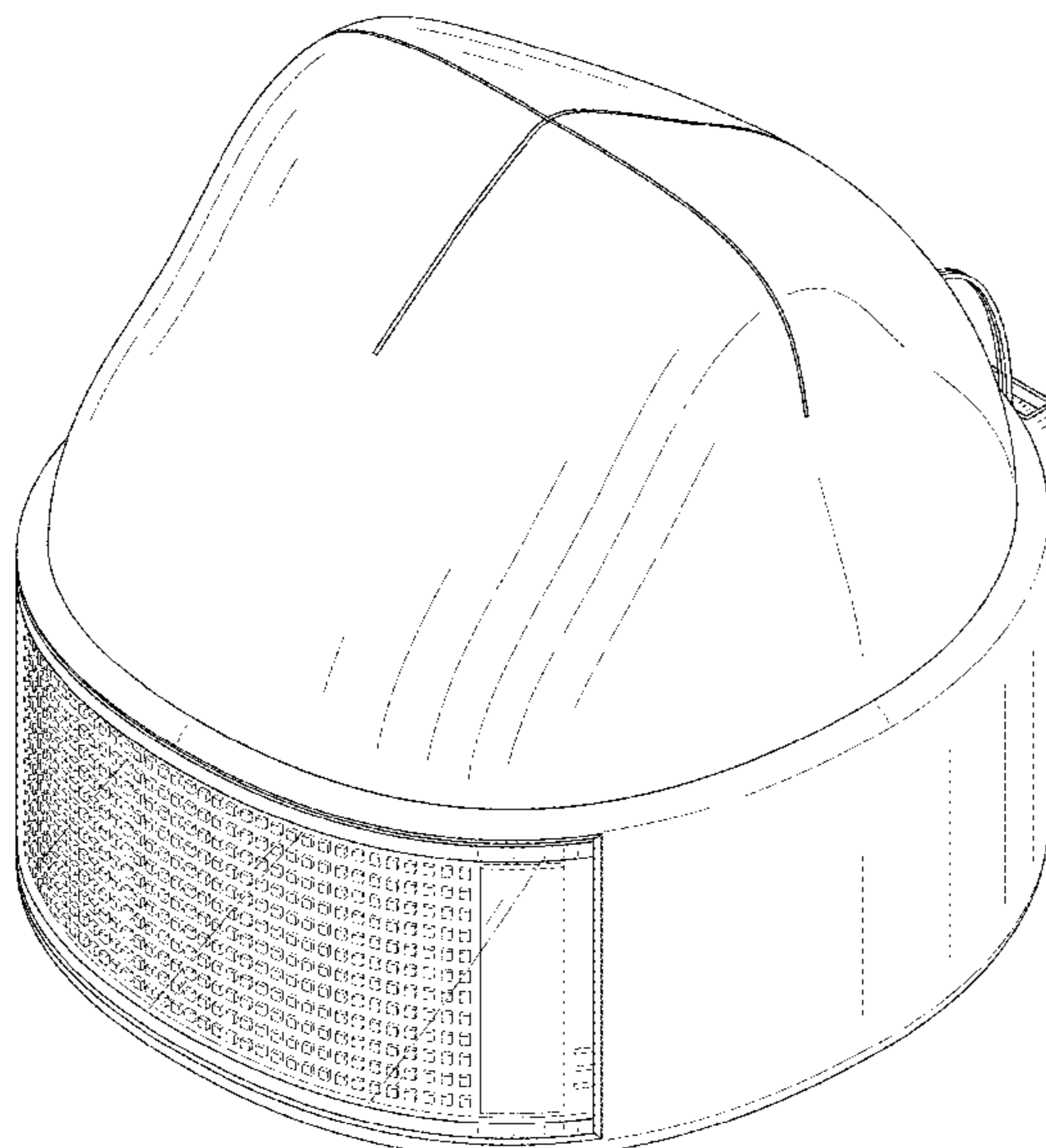
(57) **CLAIM**

The ornamental design for a hat, as shown and described.

**DESCRIPTION**

FIG. 1 is a perspective view of a hat showing my new design;  
FIG. 2 is another perspective view thereof;  
FIG. 3 is a front elevational view thereof;  
FIG. 4 is a rear elevational view thereof;  
FIG. 5 is a left side elevational view thereof;  
FIG. 6 is a right side elevational view thereof;  
FIG. 7 is a top plan view thereof;  
FIG. 8 is a bottom plan view thereof;  
FIG. 9 is a perspective view of the hat where the hat is in a configuration of use; and,  
FIG. 10 is an enlarged view of portion 10 shown in FIG. 2. The broken lines in the drawings depict portions of the hat that form no part of the claimed design.

**1 Claim, 10 Drawing Sheets**



(56)

**References Cited**

U.S. PATENT DOCUMENTS

2017/0251741 A1\* 9/2017 Wang ..... A42B 1/245  
2020/0037685 A1\* 2/2020 Graham ..... F21V 21/084

OTHER PUBLICATIONS

LihupZone LED Display Beanie Hat Bluetooth App DIY Smart Cap . . . [online]; [date first available to the internet Oct. 13, 2021]; [retrieved from the internet on Feb. 25, 2022]; URL: [https://www.amazon.com/dp/B09JCLHQW5/ref=twister\\_B09JCMBL8F?\\_encoding=UTF8&th=1#customerReviews](https://www.amazon.com/dp/B09JCLHQW5/ref=twister_B09JCMBL8F?_encoding=UTF8&th=1#customerReviews). (2 pages). (Year: 2021).\*

\* cited by examiner

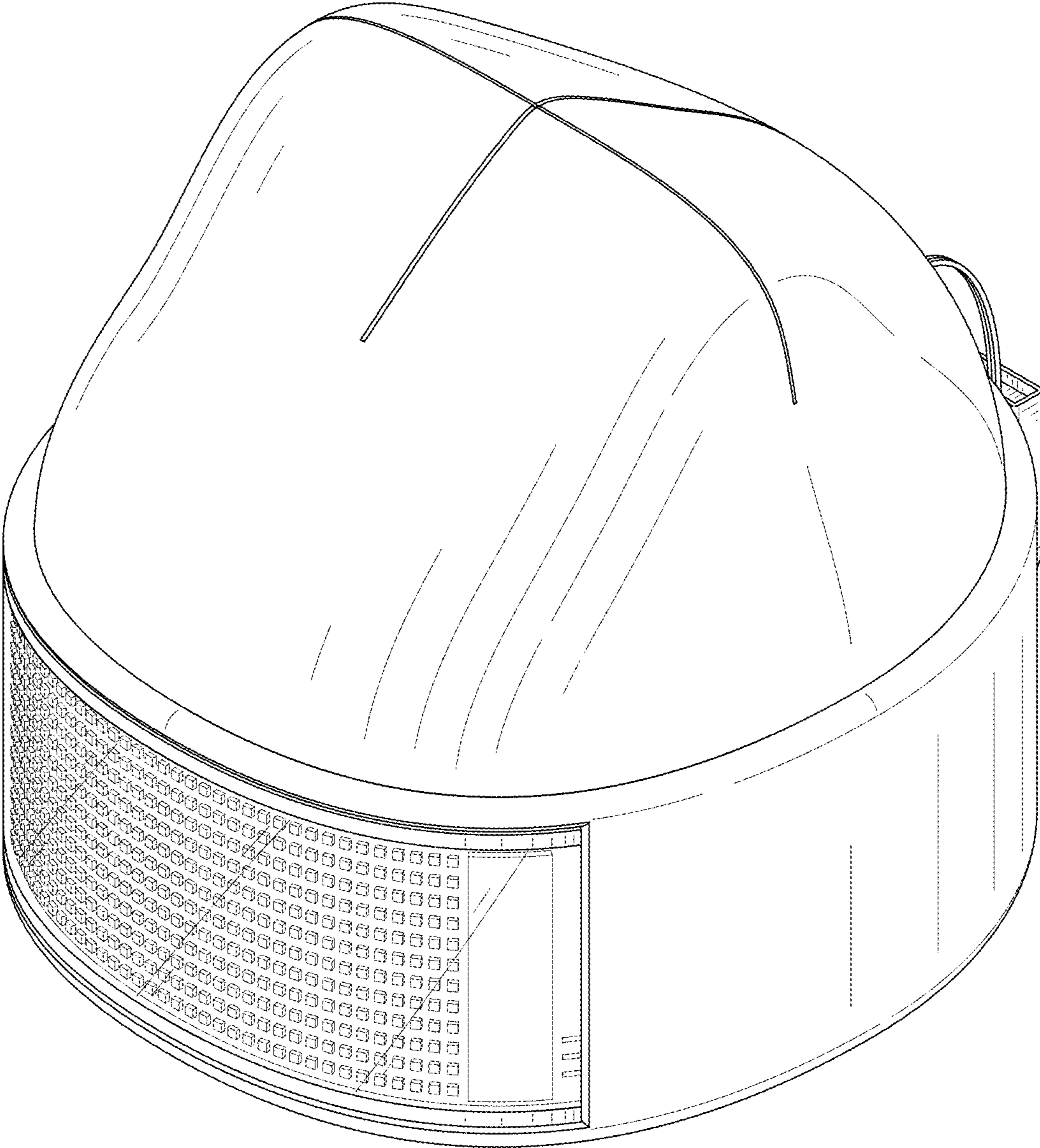


FIG. 1

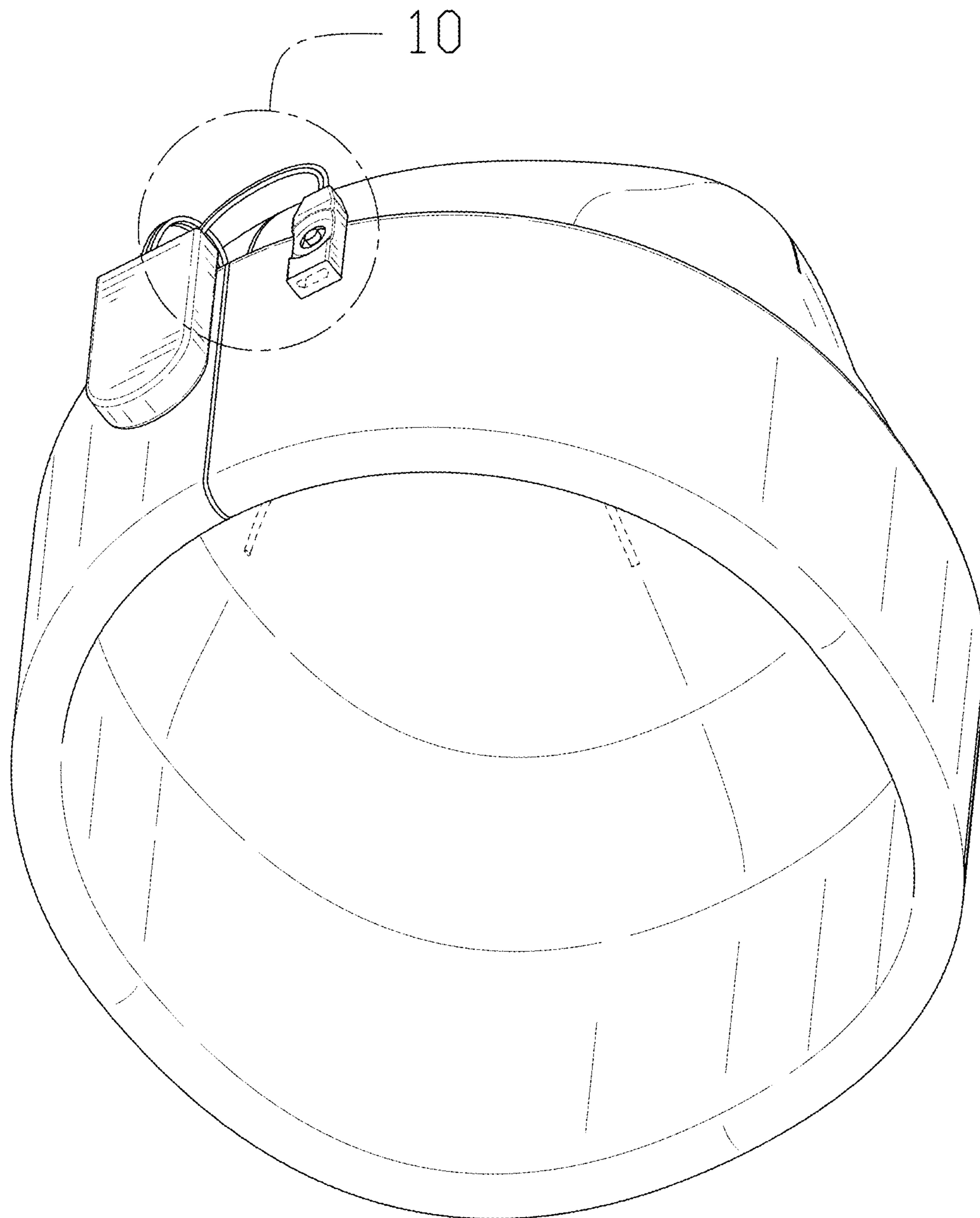


FIG. 2

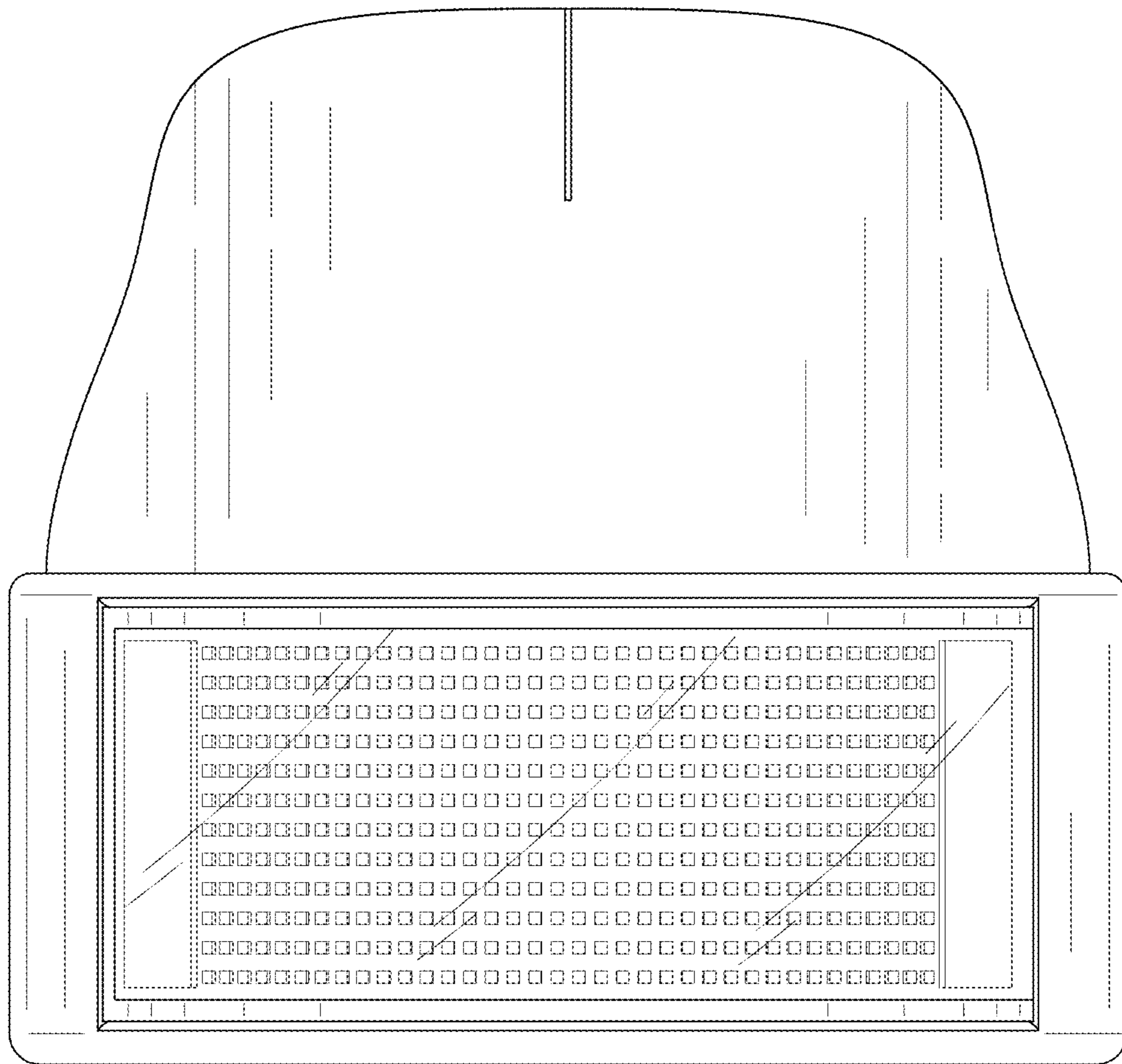


FIG. 3

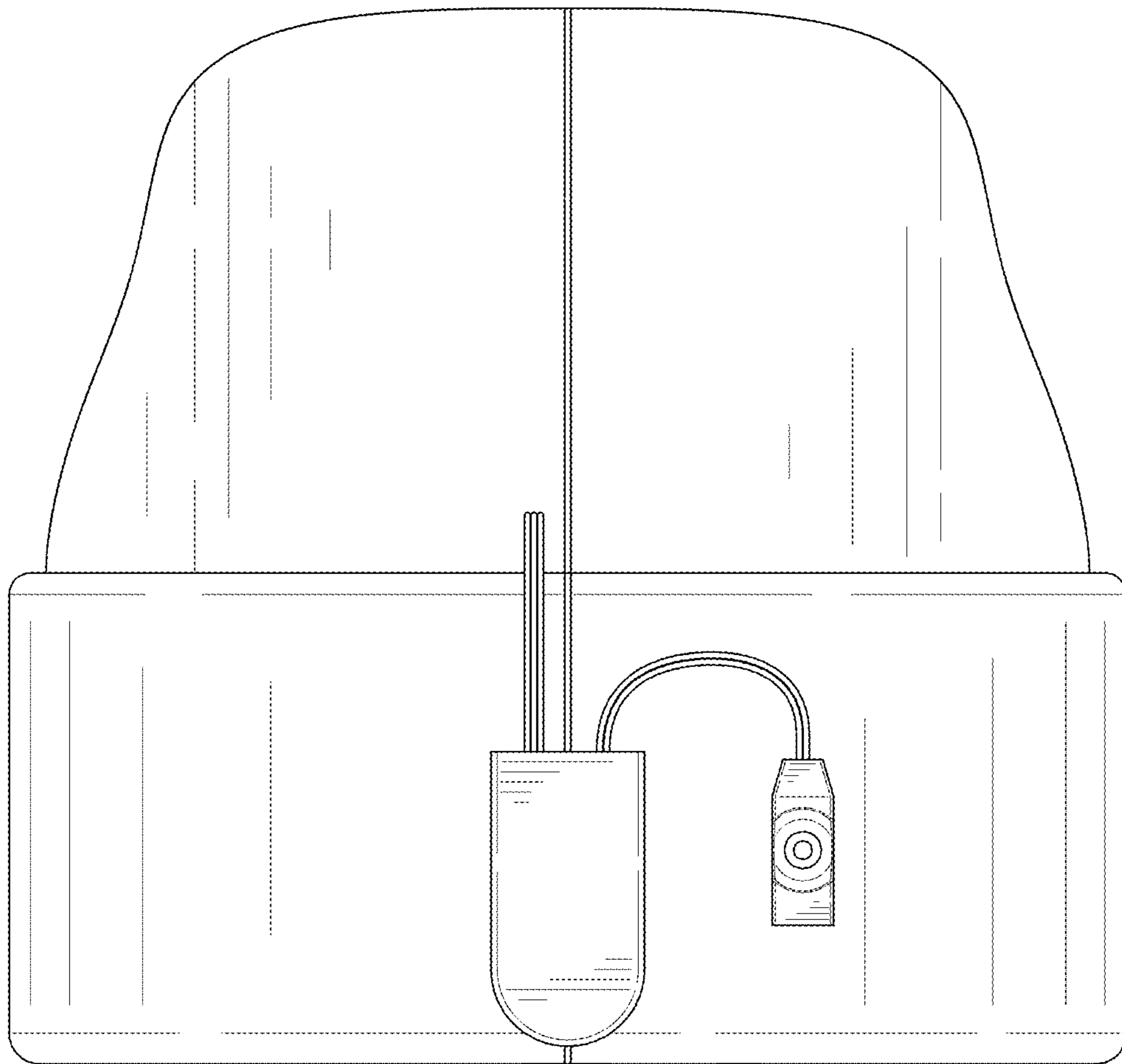


FIG. 4

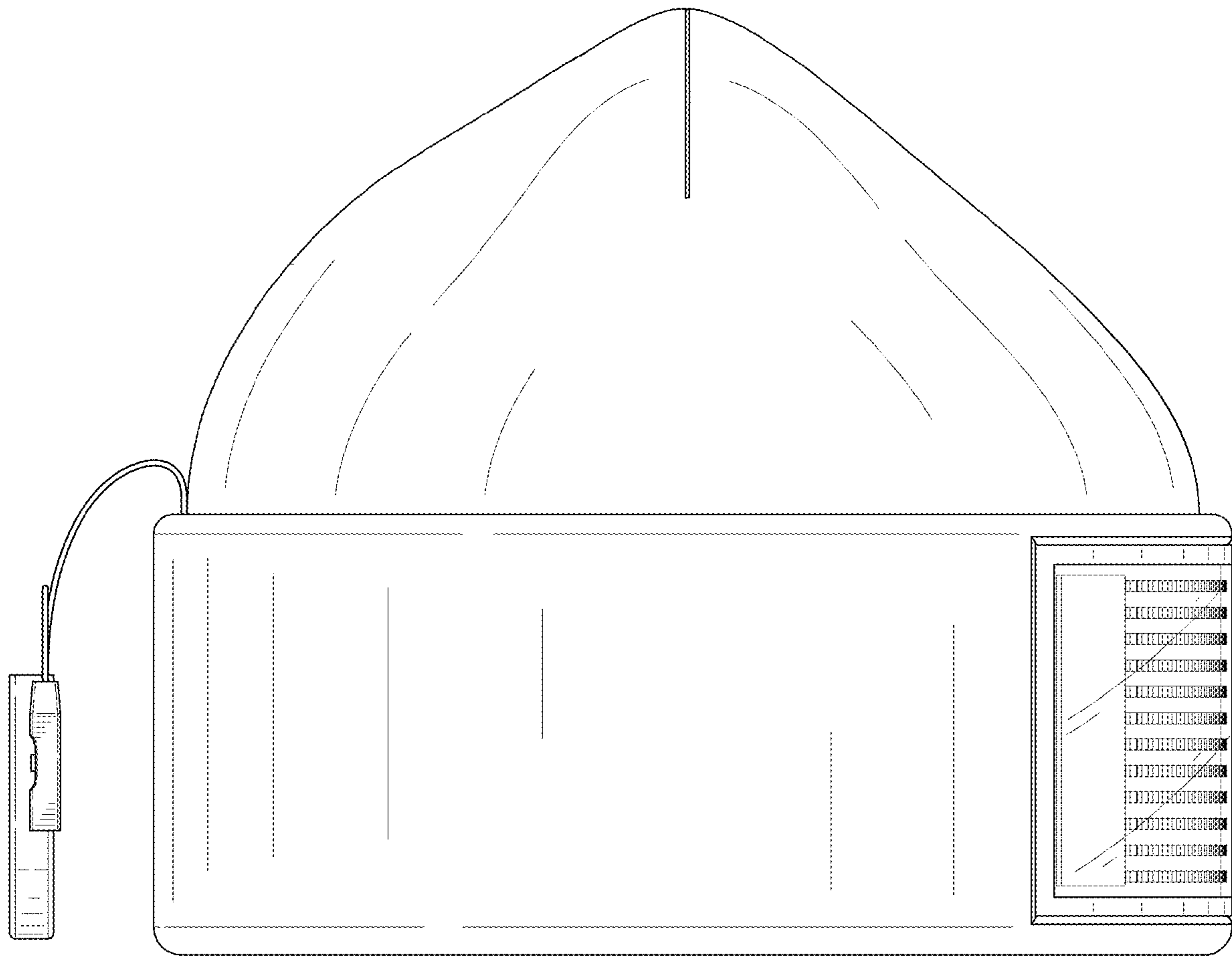


FIG. 5

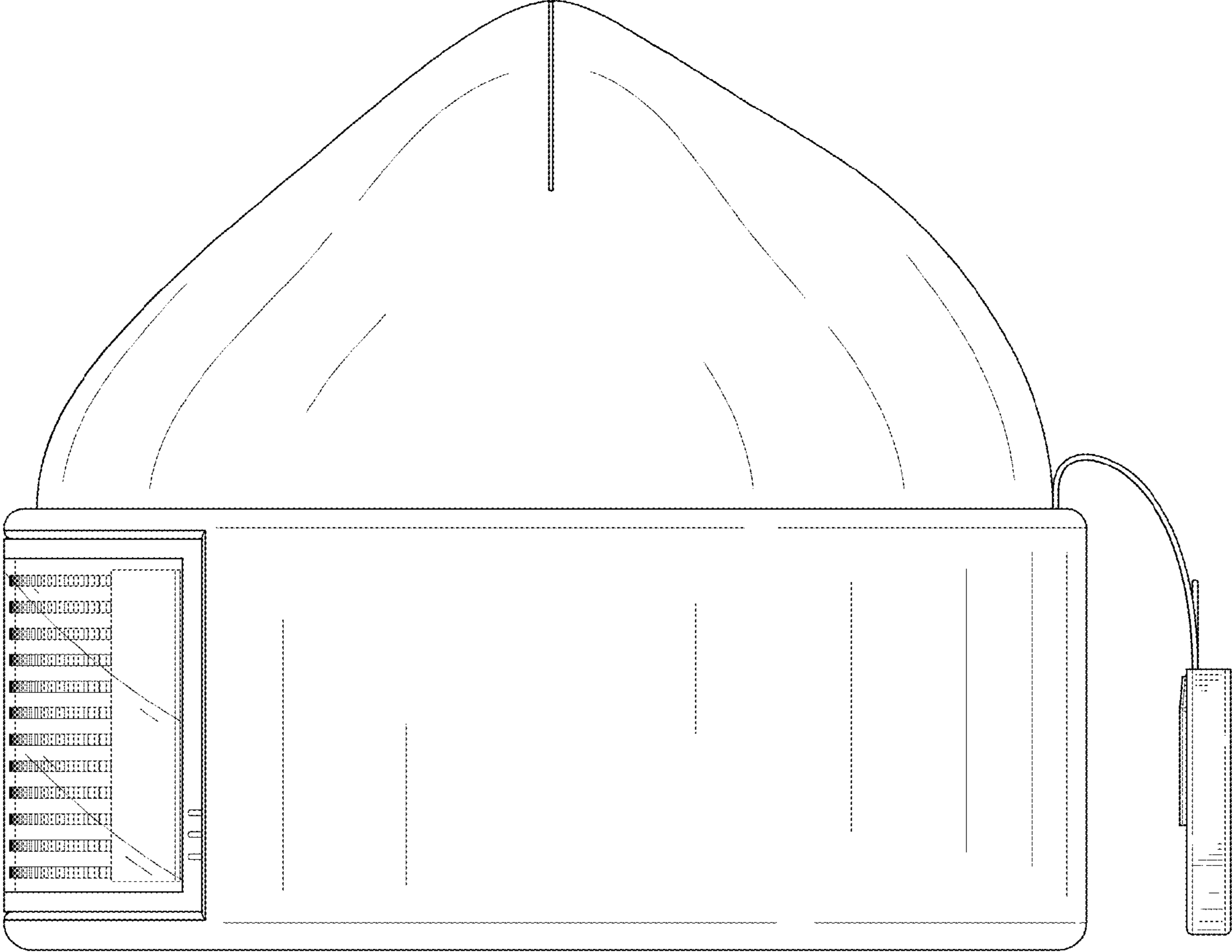


FIG. 6



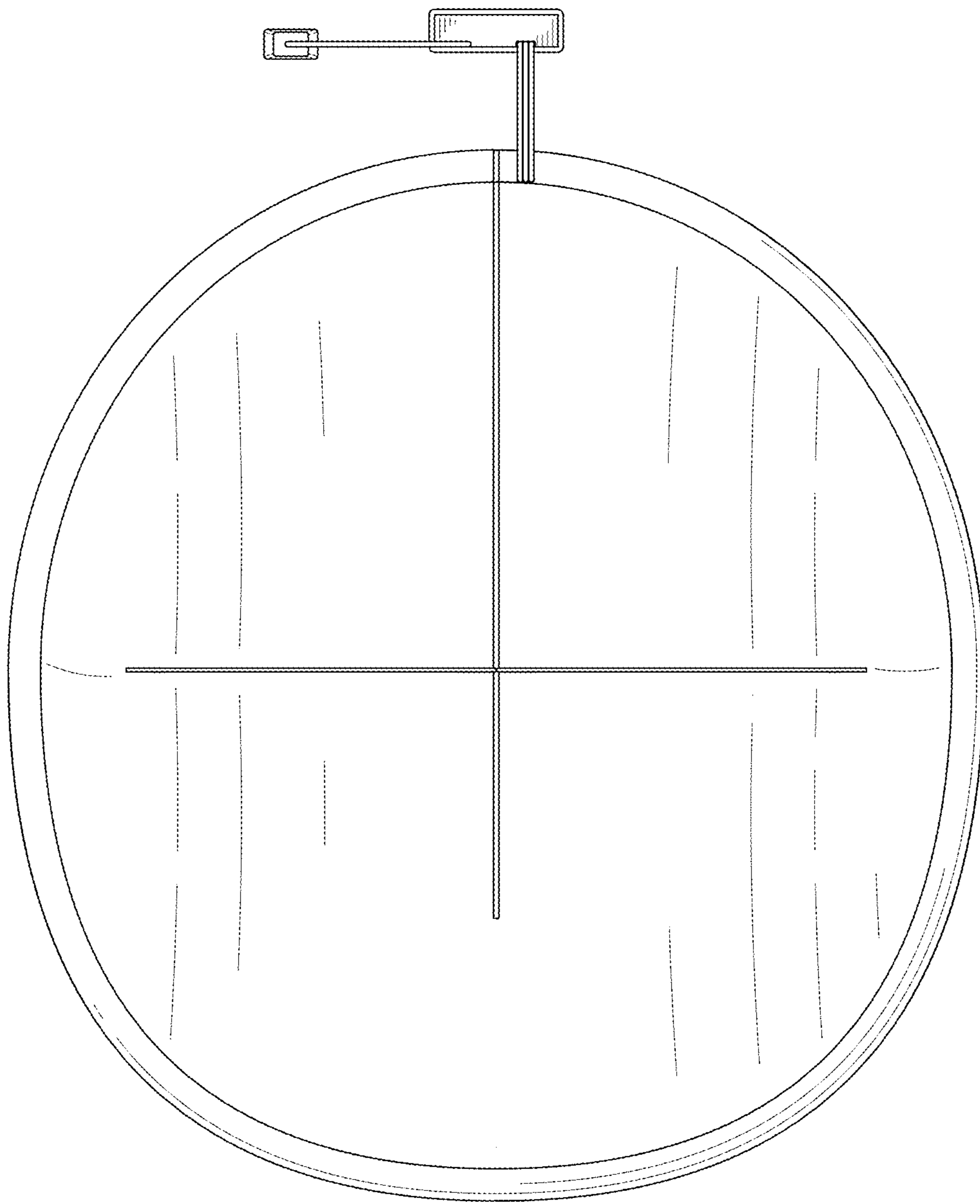


FIG. 7

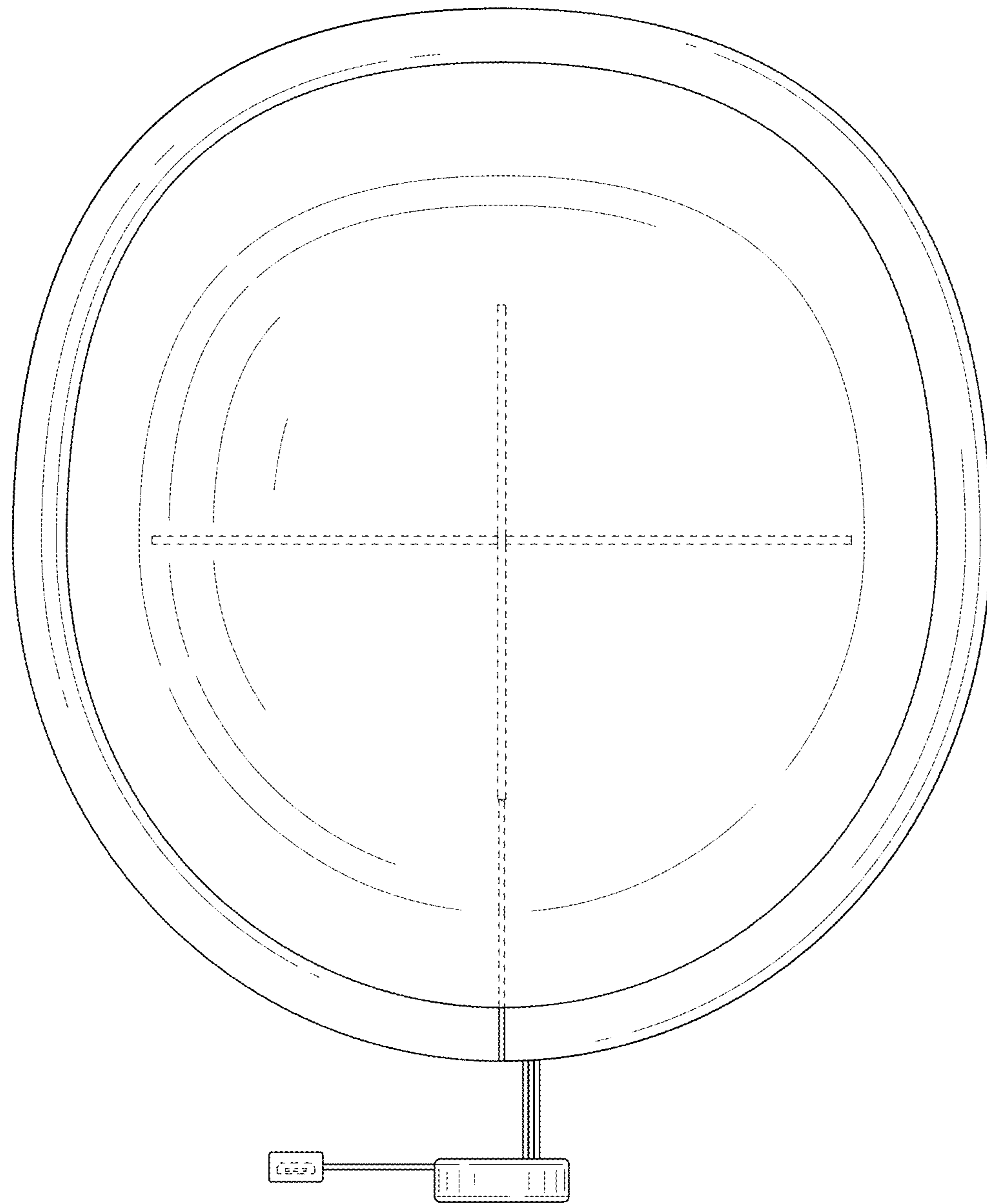


FIG. 8

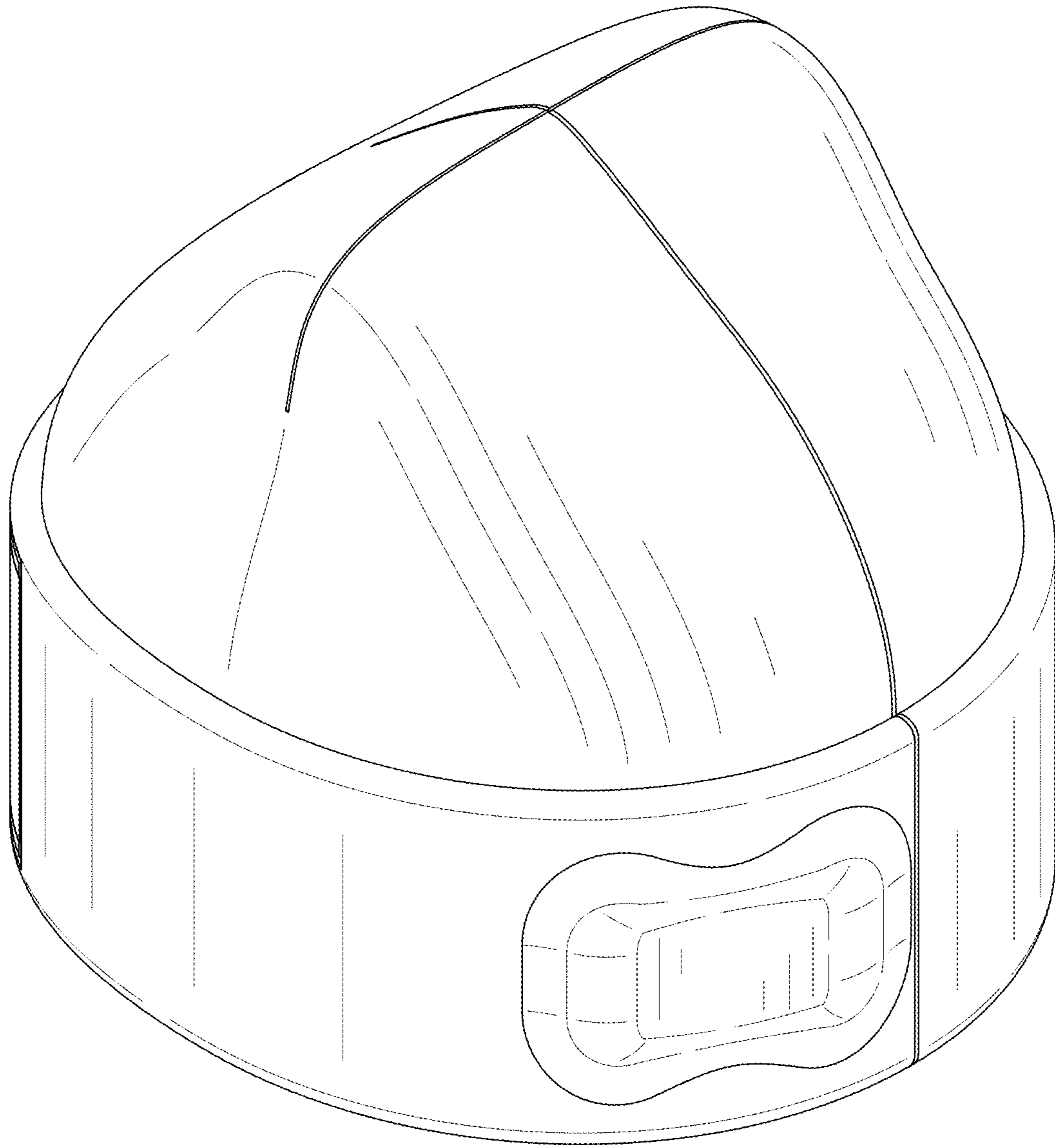


FIG. 9

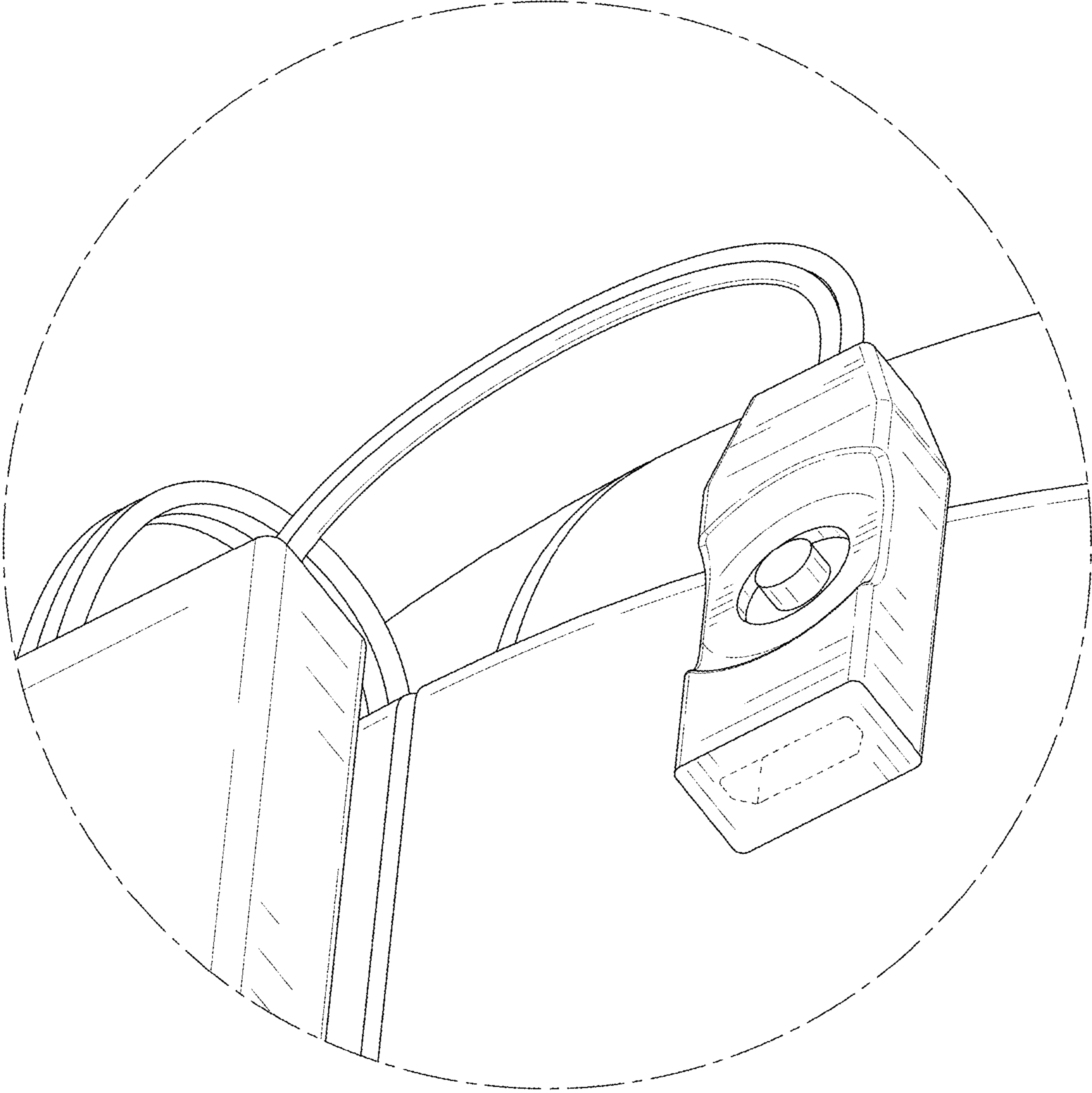


FIG. 10