

US00D948170S

(12) **United States Design Patent** (10) **Patent No.:** **US D948,170 S**
Hasson (45) **Date of Patent:** **** *Apr. 12, 2022**

(54) **SCRUB TOP**

- (71) Applicant: **FIGS, INC.**, Santa Monica, CA (US)
- (72) Inventor: **Heather Leigh Hasson**, Santa Monica, CA (US)
- (73) Assignee: **FIGS, INC.**, Santa Monica, CA (US)
- (*) Notice: This patent is subject to a terminal disclaimer.
- (**) Term: **15 Years**

- (21) Appl. No.: **29/704,045**
- (22) Filed: **Aug. 30, 2019**
- (51) **LOC (13) Cl.** **02-02**
- (52) **U.S. Cl.**
USPC **D2/739**
- (58) **Field of Classification Search**
USPC D2/700, 713, 715-718, 720, 728, 731,
D2/738, 739, 742, 743, 780, 781, 839,
D2/840, 853, 857, 862
CPC A41D 13/1236; A41D 13/1245; A41D
2400/44; A41D 2400/70; A41D 13/1209
See application file for complete search history.

(56) **References Cited**

U.S. PATENT DOCUMENTS

- D444,291 S * 7/2001 Poradzisz D2/717
- 7,305,716 B1 * 12/2007 Richards A41D 13/1245
2/114
- D601,781 S * 10/2009 Rhodes D2/840
- D646,467 S * 10/2011 Campbell D2/840
- D719,720 S * 12/2014 Santana D2/717
- D841,292 S * 2/2019 Vance D2/840
- D888,370 S * 6/2020 Young D2/739

FOREIGN PATENT DOCUMENTS

- JP 6047206 B1 * 12/2016
- JP 2019143262 A * 8/2019

OTHER PUBLICATIONS

FIGS Scrub Top, announced 2014 [online], [site visited Sep. 24, 2020]. Available from internet, URL: <<https://www.facebook.com/wearFIGS/photos/a.439364299419037/732886103400187/?type=3&theater>> (Year: 2014).*

EmpowerRN; "FIGS Scrubs Review + GIVEAWAY!"; Feb. 15, 2017; <https://youtu.be/88o6a0B0yDw?t=117>; 1 page; last accessed Jul. 22, 2021.

Dr. Tommy Martin; "WearFIGS Unboxing; Scrubs Unboxing and Modeling"; Feb. 10, 2017; https://youtu.be/grpp_2umykc?t=204; 1 page; last accessed Jul. 22, 2021.

(Continued)

Primary Examiner — Kevin K Rudzinski
Assistant Examiner — Amber J Rabie
 (74) *Attorney, Agent, or Firm* — Sterne, Kessler, Goldstein & Fox P.L.L.C.

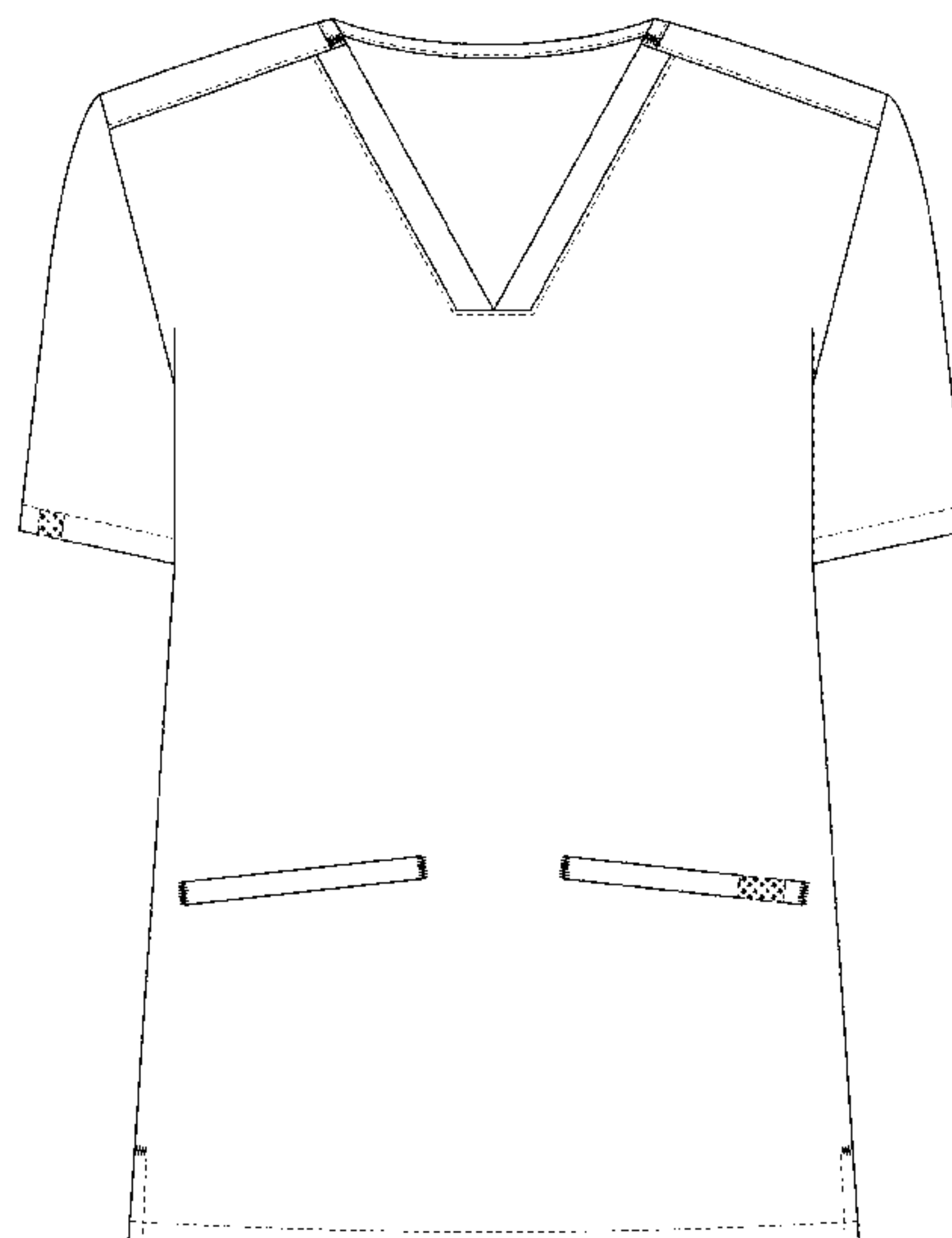
(57) **CLAIM**

The ornamental design for a scrub top, as shown and described.

DESCRIPTION

FIG. 1 is a front view of a scrub top showing the claimed design;
 FIG. 2 is a rear view thereof;
 FIG. 3 is a left side view thereof;
 FIG. 4 is a right side view thereof;
 FIG. 5 is a front perspective view thereof;
 FIG. 6 is a top view thereof; and,
 FIG. 7 is a bottom view thereof.
 The dot-dash broken lines in the figures and the areas within the dot-dash broken lines show portions of the scrub top that form no part of the claimed design.
 The dashed broken lines show a stitching pattern. The dashed broken lines form part of the claimed design.

1 Claim, 7 Drawing Sheets



(56)

References Cited

OTHER PUBLICATIONS

“Nursing Scrubs Review—Today We Try Out FIGS and Jaanuu Scrubs”; Dec. 4, 2017; <https://youtu.be/eGjRkGjYCPY?t=166>; 1 page; last accessed Jul. 22, 2021.

Rubie Lapena; “Figs Scrubs Review; Short Heights XS”; Dec. 20, 2018; <https://youtu.be/P5T4aYTqRfc?t>; 1 page; last accessed Jul. 22, 2021.

FIGS; “It’s #cincodemayo”; May 5, 2014; <https://www.facebook.com/wearFIGS/photos/a.439364299419037/732886103400187/?type=3%26theater>; 1 page; last accessed Jul. 22, 2021.

* cited by examiner

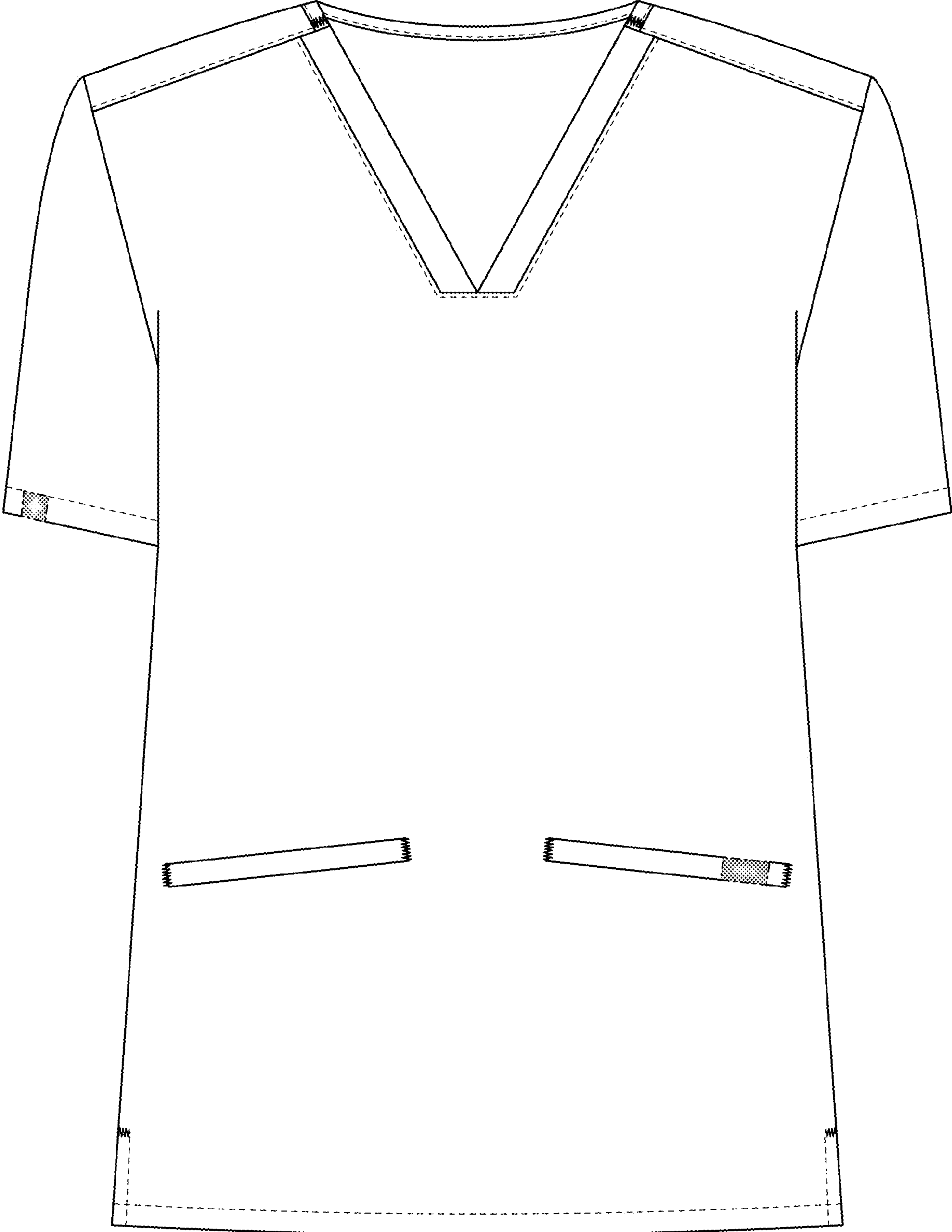


FIG. 1

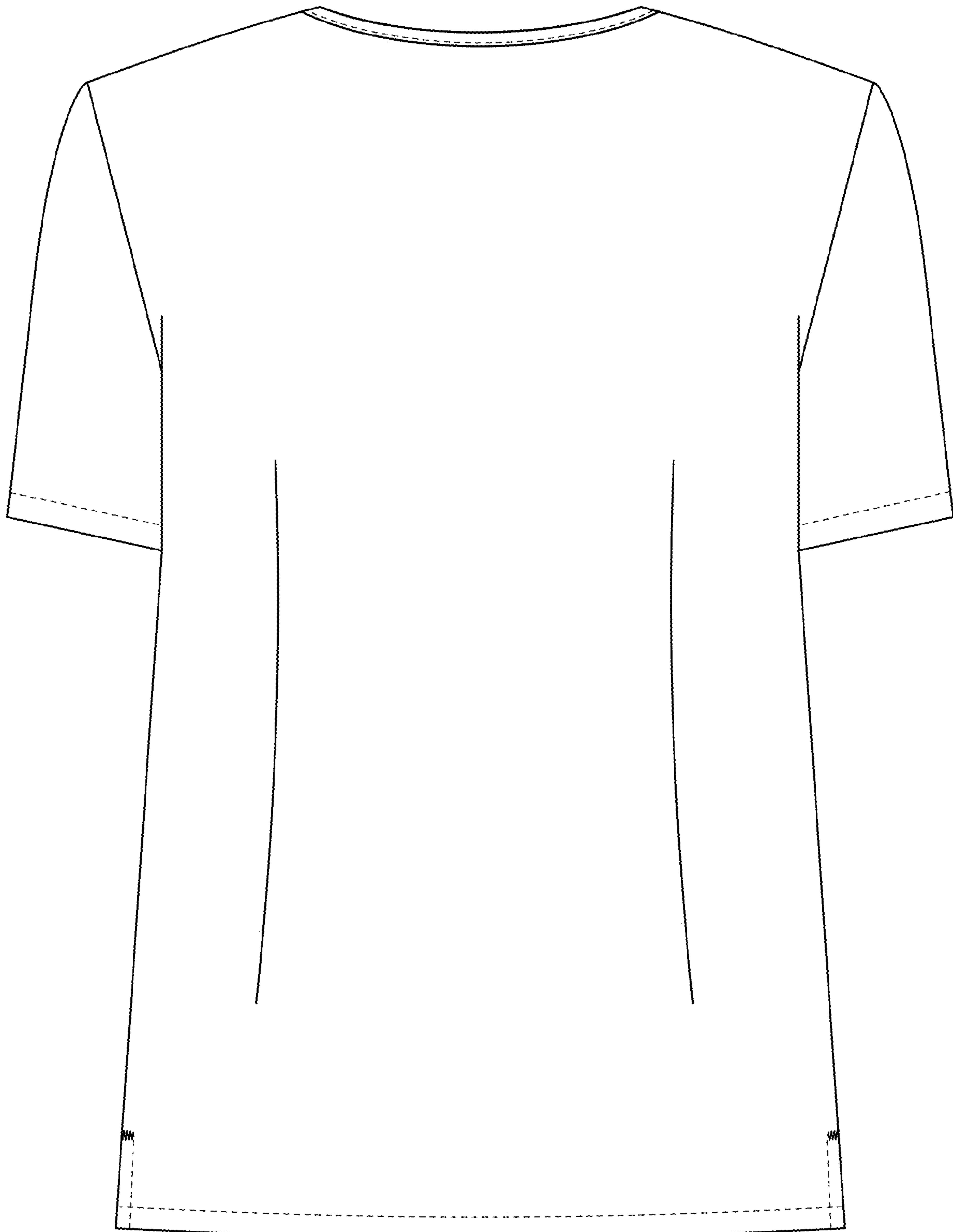


FIG. 2

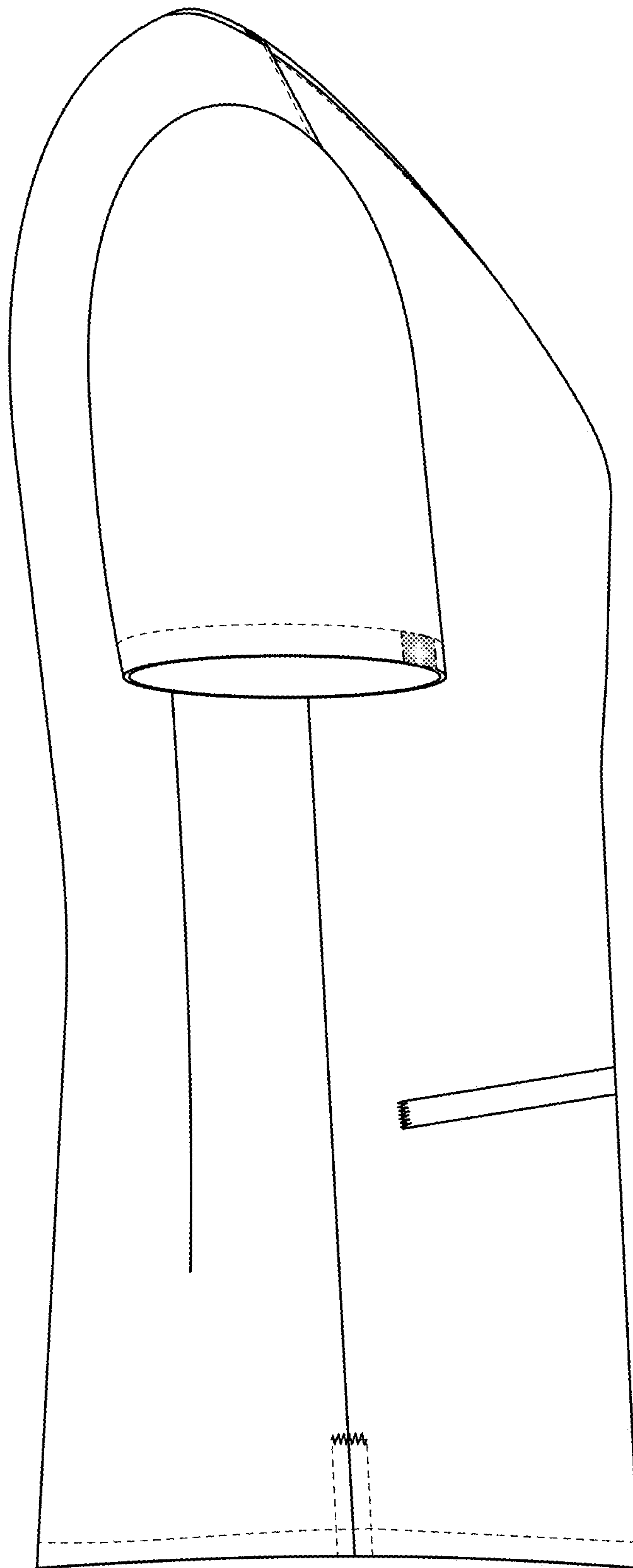


FIG. 3

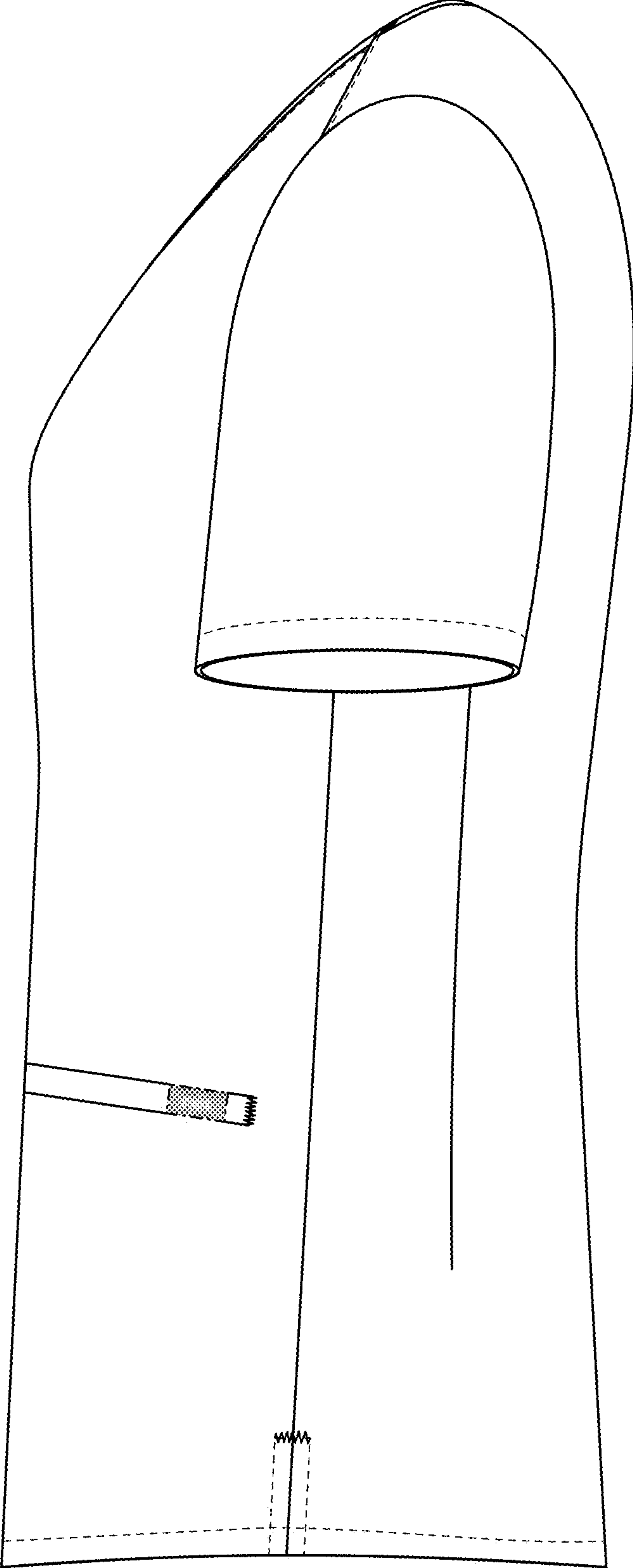


FIG. 4

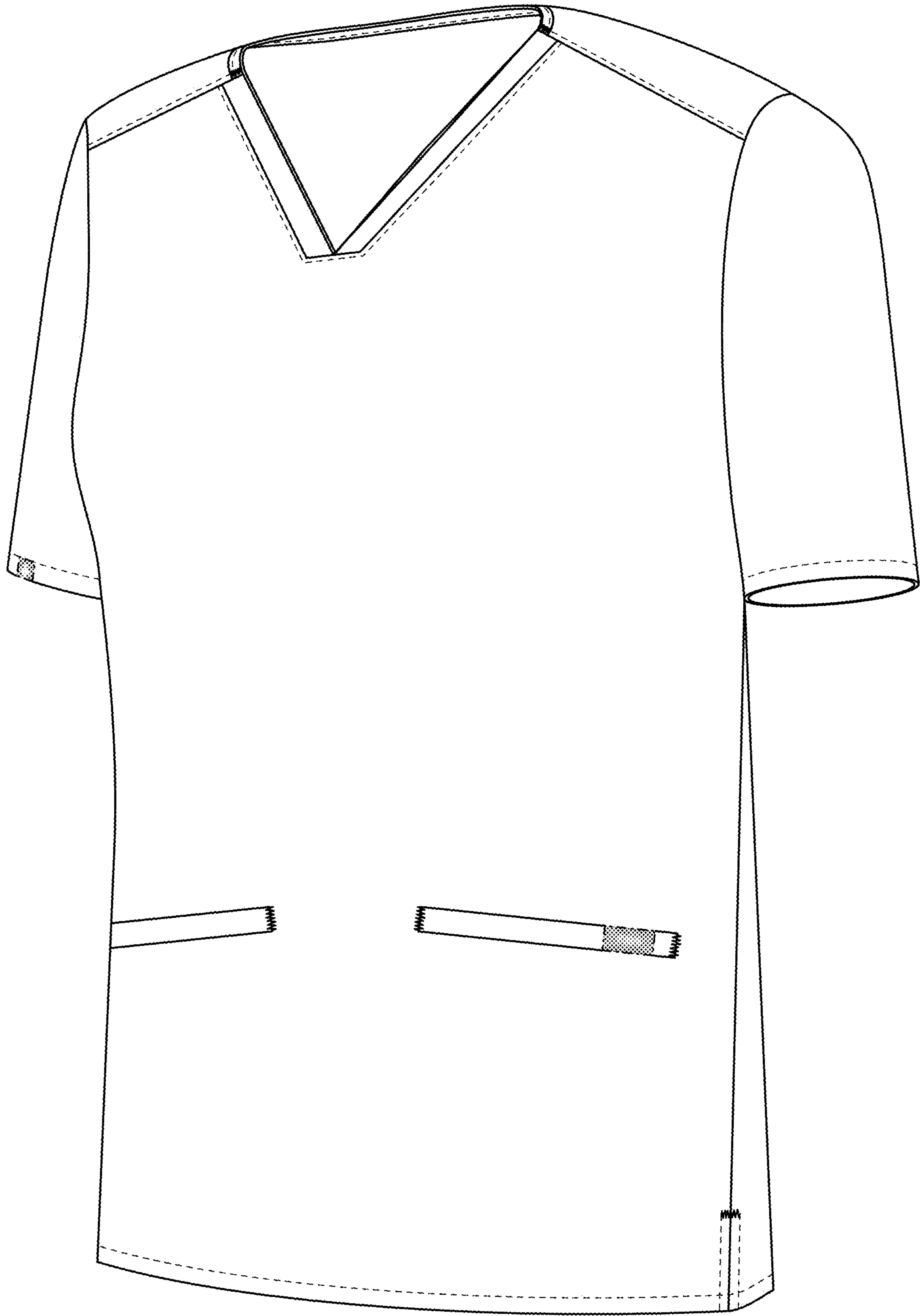


FIG. 5

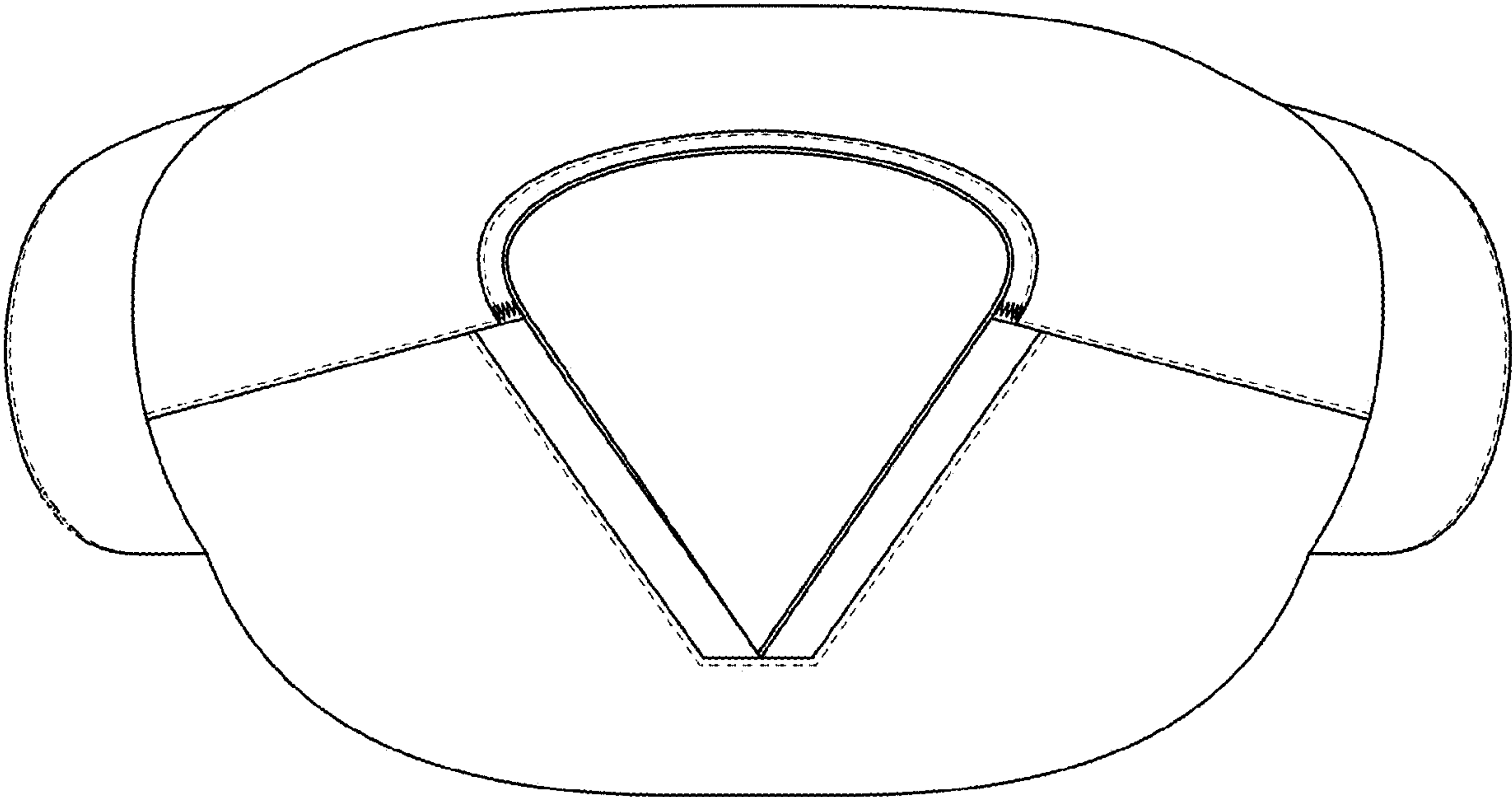


FIG. 6

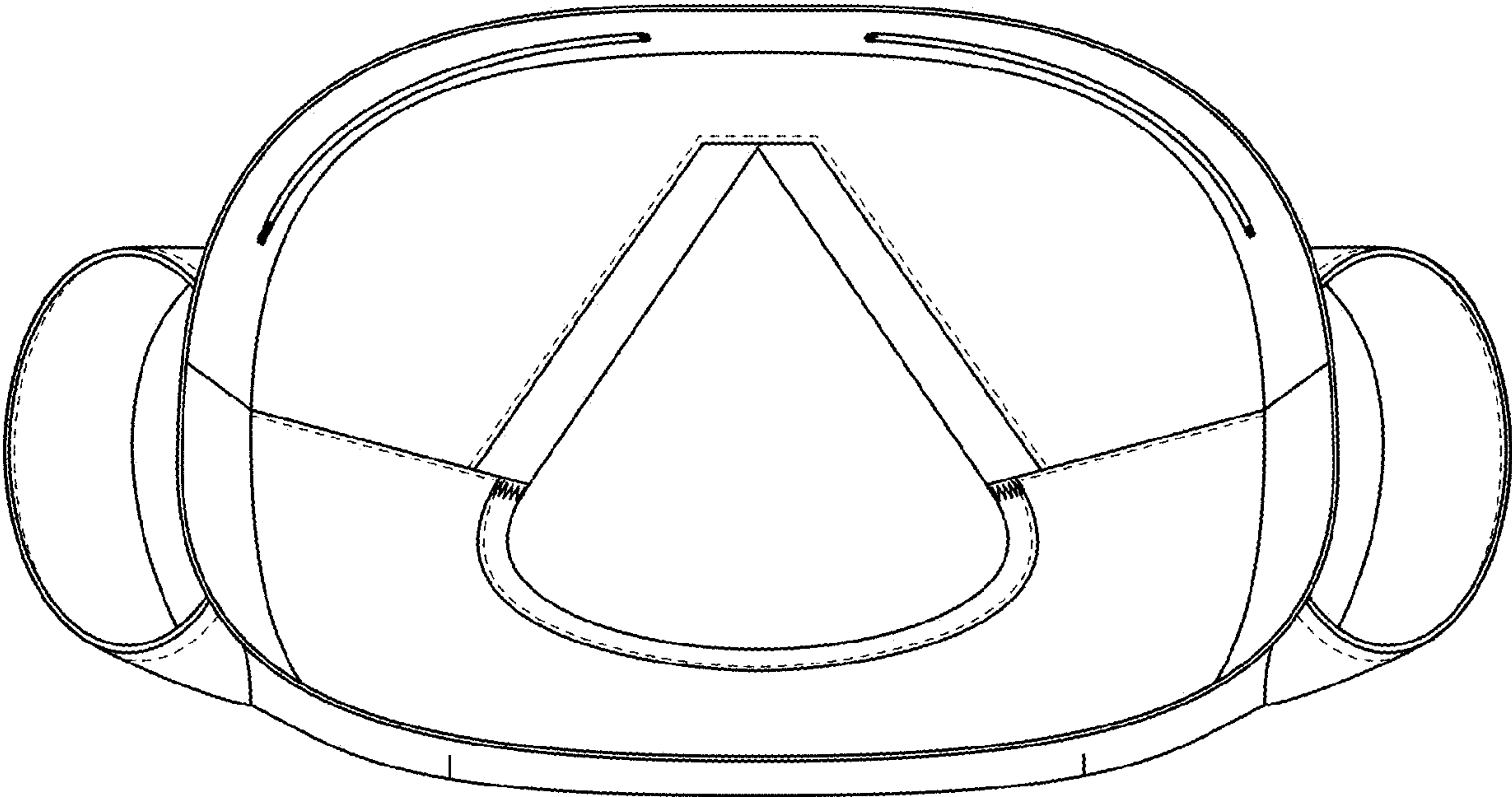


FIG. 7