



US00D948165S

(12) **United States Design Patent**
Alston

(10) **Patent No.:** **US D948,165 S**
(45) **Date of Patent:** **** Apr. 12, 2022**

- (54) **ICE CREAM CONE**
- (71) Applicant: **Michael Lane Sinclair Alston**,
Auckland (NZ)
- (72) Inventor: **Michael Lane Sinclair Alston**,
Auckland (NZ)
- (**) Term: **15 Years**
- (21) Appl. No.: **29/751,717**
- (22) Filed: **Sep. 23, 2020**
- (30) **Foreign Application Priority Data**
Mar. 23, 2020 (NZ) 427274
- (51) **LOC (13) Cl.** **01-01**
- (52) **U.S. Cl.**
USPC **D1/116**
- (58) **Field of Classification Search**
USPC D1/100–130, 199; 426/94, 104, 138,
426/143, 144, 274, 283, 303, 391, 512,
426/514, 518, 549; D6/597, 601;
D7/675, 560, 566, 568, 601, 700;
D24/122; D28/8.1, 8.2; D21/385, 386,
D21/707; D11/164; 47/72
CPC A23L 1/0067; A23L 1/005; A23L 1/0052;
A23L 1/217; A23G 9/48; A23G 3/54;
A23V 2002/00
See application file for complete search history.

- (56) **References Cited**
U.S. PATENT DOCUMENTS
D37,759 S * 12/1905 Yakushiji D1/117
D171,810 S * 3/1954 Marcantonio D1/116
D209,693 S * 12/1967 Pittman D10/46.2
3,557,901 A * 1/1971 Young H04R 1/345
181/176
3,645,535 A * 2/1972 Randolph A63F 9/12
273/157 R

- 3,887,190 A * 6/1975 Ameri A63F 3/00176
273/264
- 3,917,194 A * 11/1975 Muller B64C 3/40
244/46
- 4,852,887 A * 8/1989 Li A63F 3/02
273/264
- 4,936,585 A * 6/1990 Looney A63F 3/00529
273/236
- D315,532 S * 3/1991 Belokin, Jr. D11/146
- 5,249,966 A * 10/1993 Hiigli G09B 23/04
434/211
- 5,409,235 A * 4/1995 Ameri A63F 3/00176
273/242
- 5,757,548 A * 5/1998 Shimomukai G02B 27/08
359/616
- 5,943,836 A * 8/1999 Kassardjian E04C 5/161
52/301
- D428,233 S * 7/2000 Cox D1/102
- D437,239 S * 2/2001 Wei D10/46.2
- D445,721 S * 7/2001 McLeish D11/131.1
- 6,352,262 B1 * 3/2002 Looney A63F 3/00697
273/282.1
- D462,294 S * 9/2002 Walsh D11/143

(Continued)

Primary Examiner — Katie Jane Stofko
(74) *Attorney, Agent, or Firm* — Nixon & Vanderhye

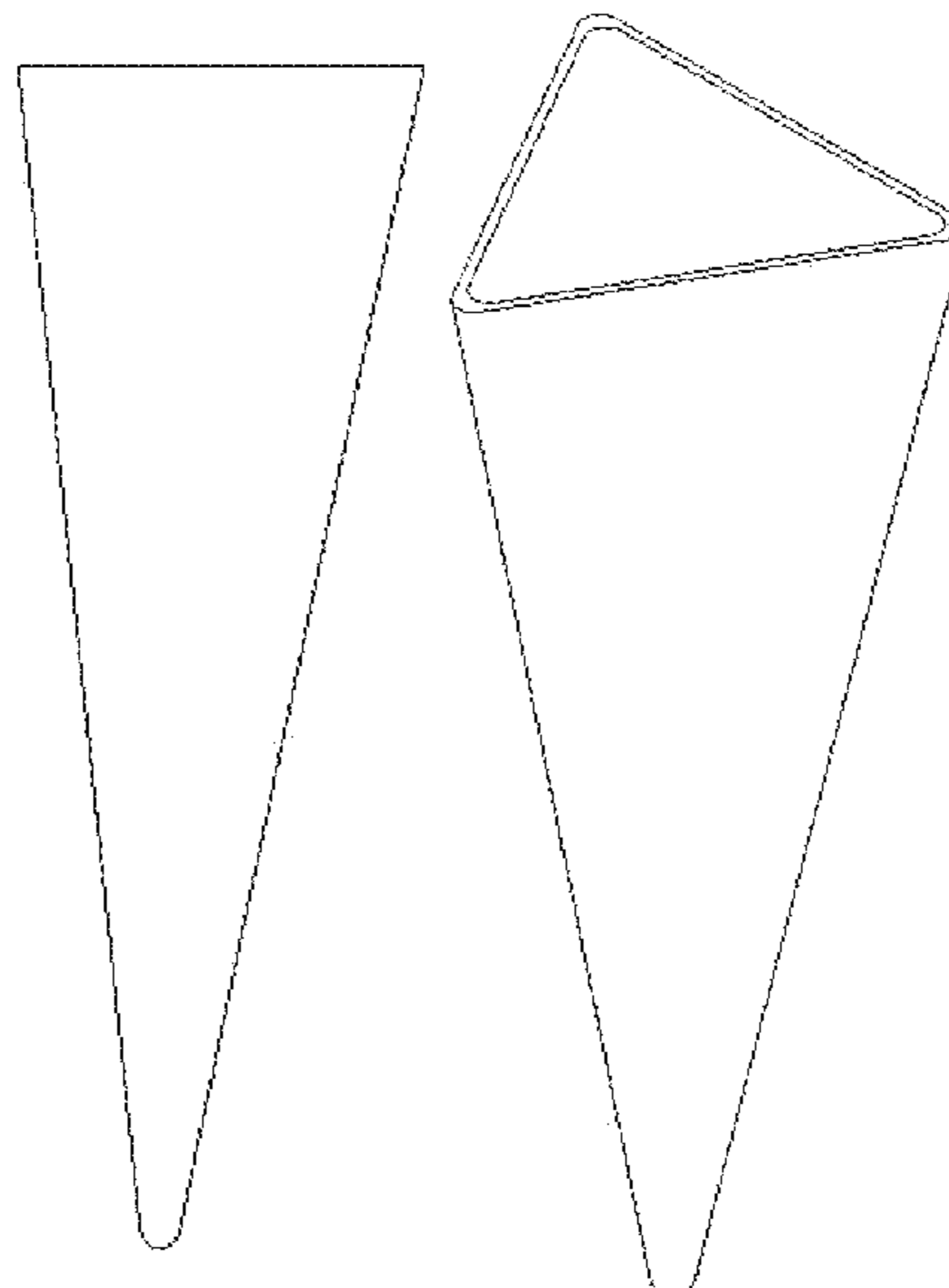
(57) **CLAIM**

The ornamental design for an ice cream cone, as shown and described.

DESCRIPTION

FIG. 1 is a front elevation view of an ice cream cone showing the new design;
FIG. 2 is a rear elevation view thereof;
FIG. 3 is a left side elevation view thereof;
FIG. 4 is a right side elevation view thereof;
FIG. 5 is a top perspective view thereof;
FIG. 6 is a bottom plan view thereof; and,
FIG. 7 is a top plan view thereof.

1 Claim, 4 Drawing Sheets



(56)

References Cited

U.S. PATENT DOCUMENTS

D536,856 S * 2/2007 Davi D1/117
7,247,075 B2 * 7/2007 von Oech A63H 33/04
273/153 S
D708,481 S * 7/2014 Lin D7/523
D793,365 S * 8/2017 Kato D14/218
D887,829 S * 6/2020 Kaufman D9/430
D929,239 S * 8/2021 Caiaffa D9/712
2021/0353017 A1 * 11/2021 Matiteyahu B65D 33/16

* cited by examiner

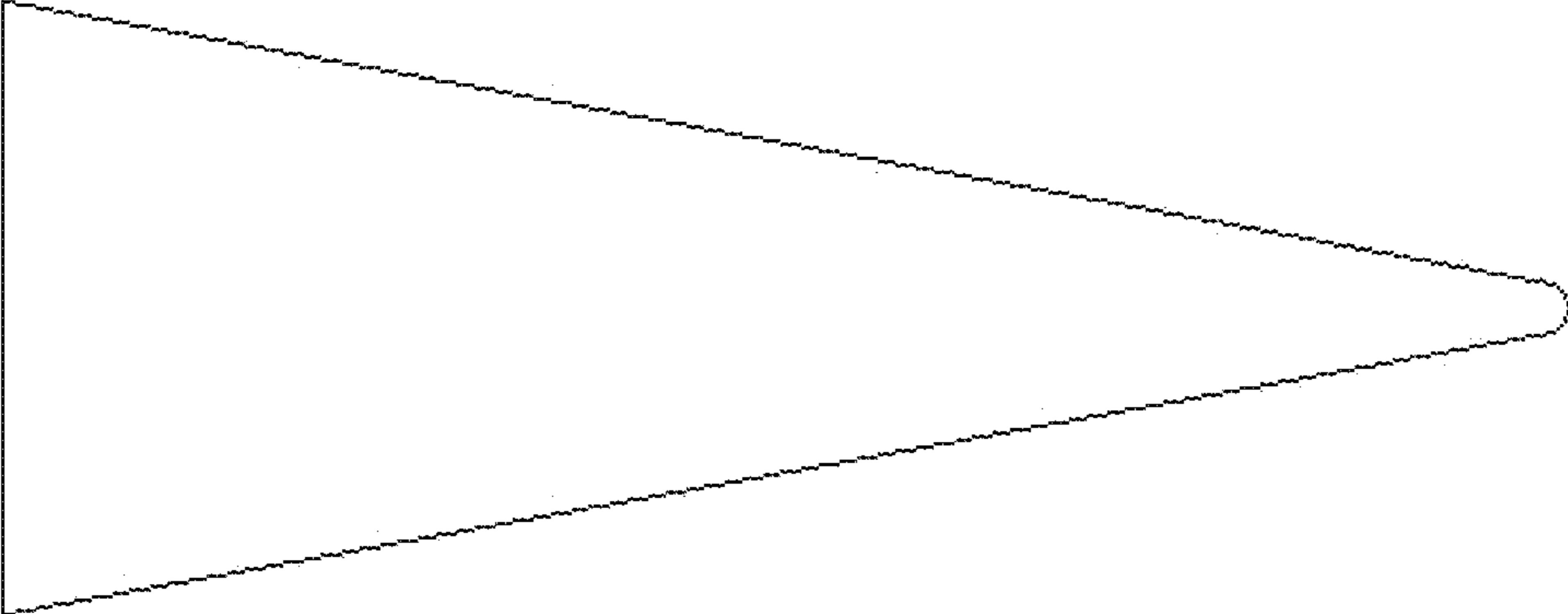


FIG. 1

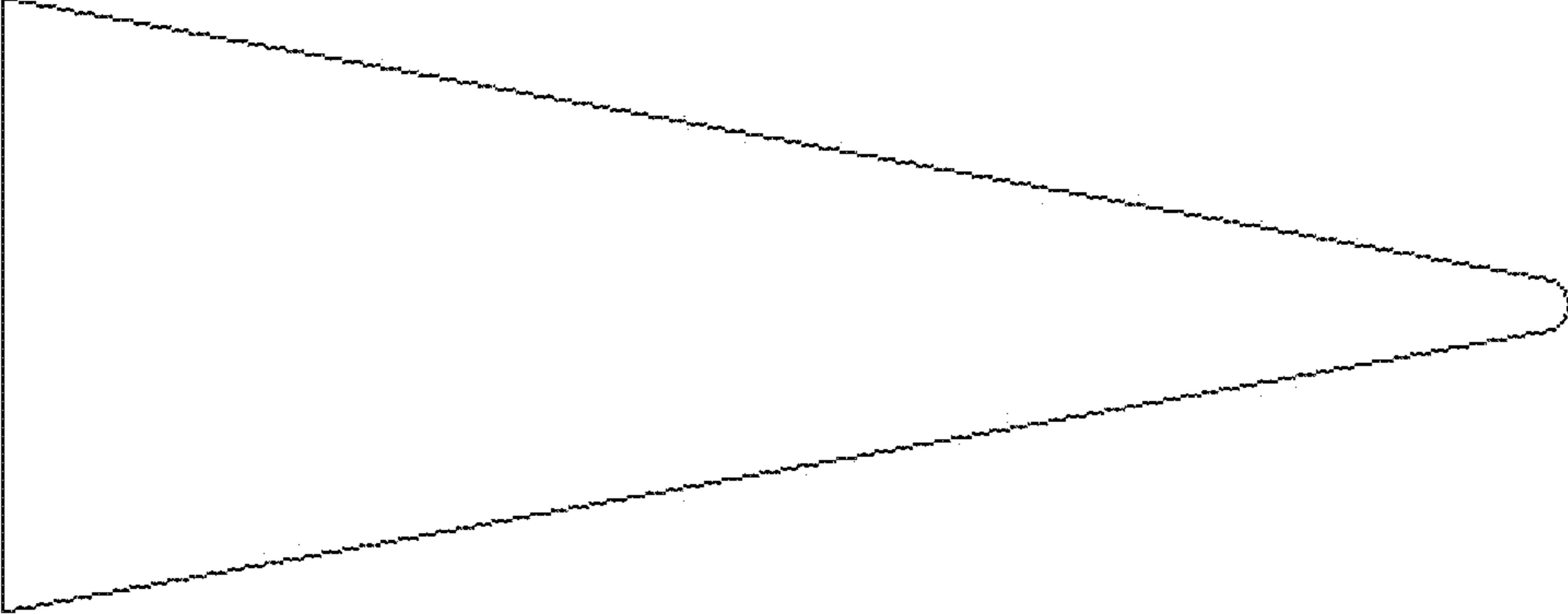


FIG. 2

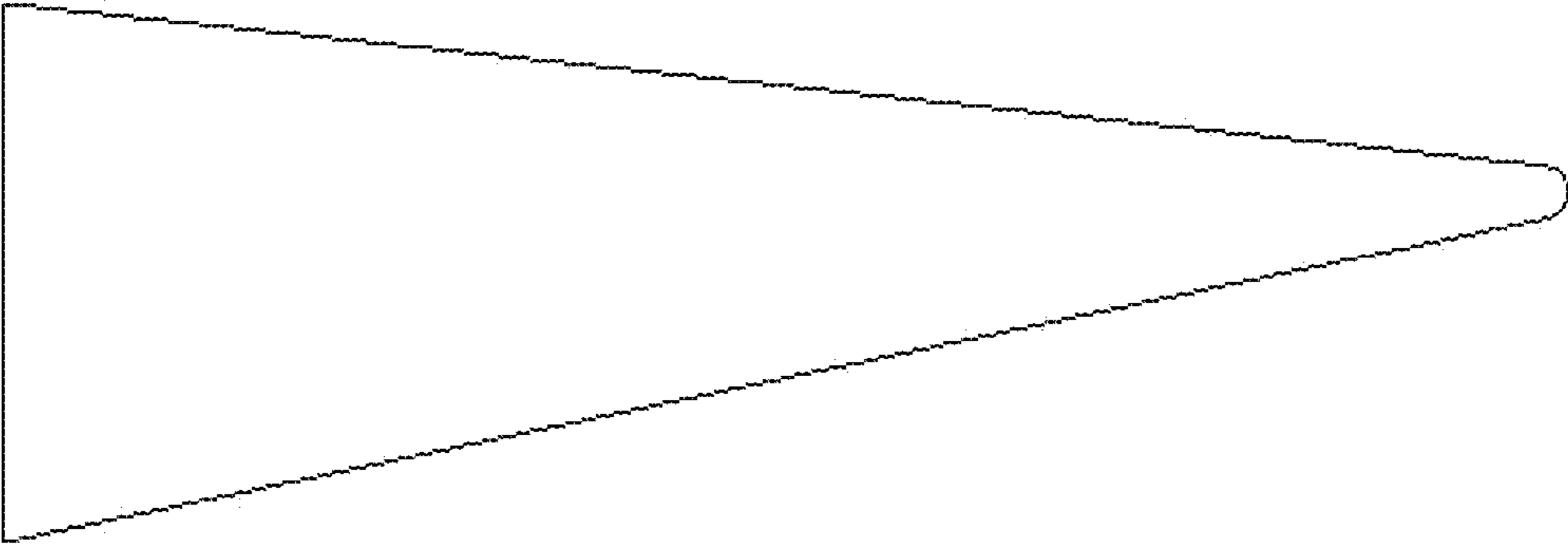


FIG. 4

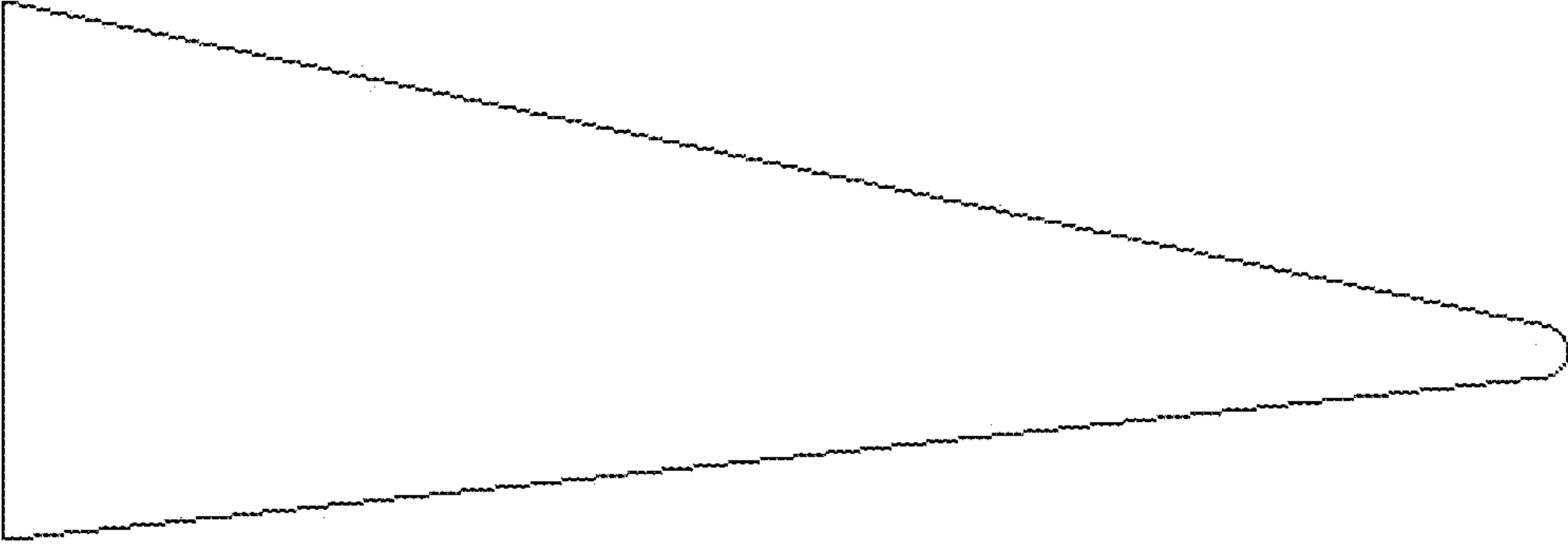


FIG. 3

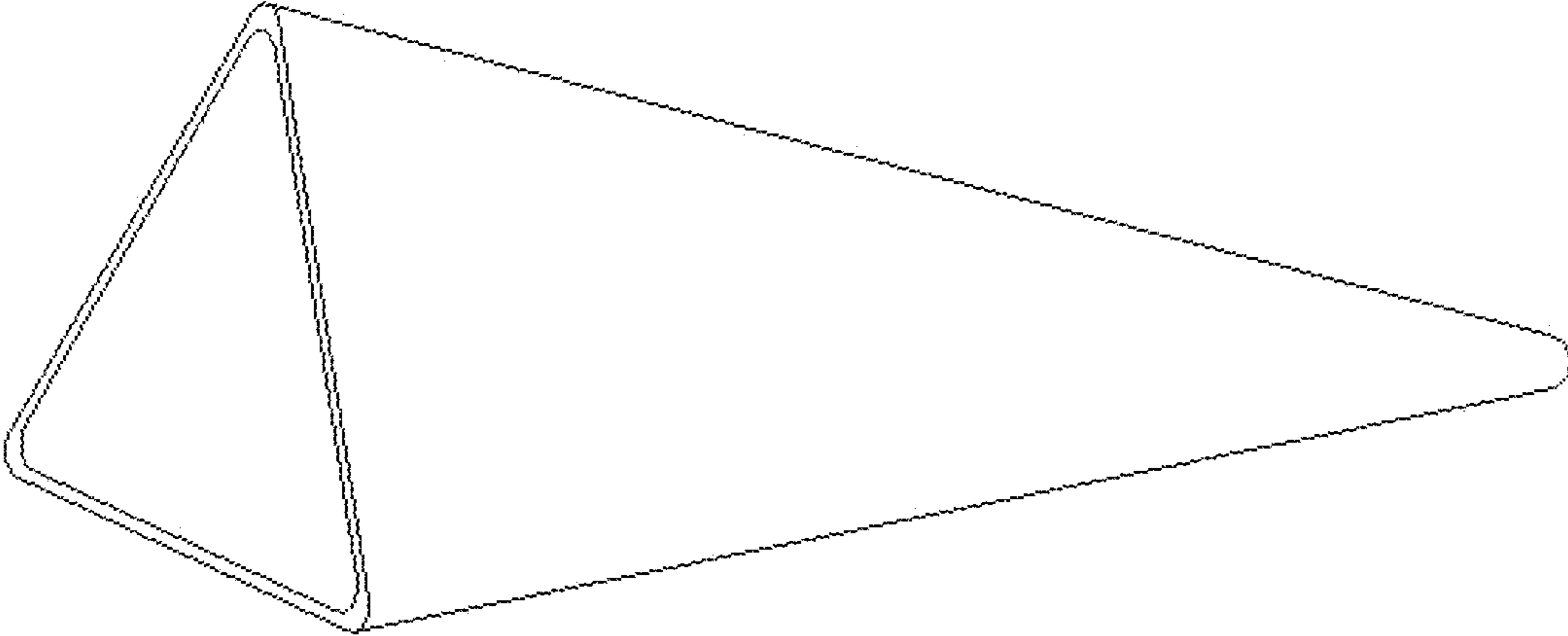


FIG. 5

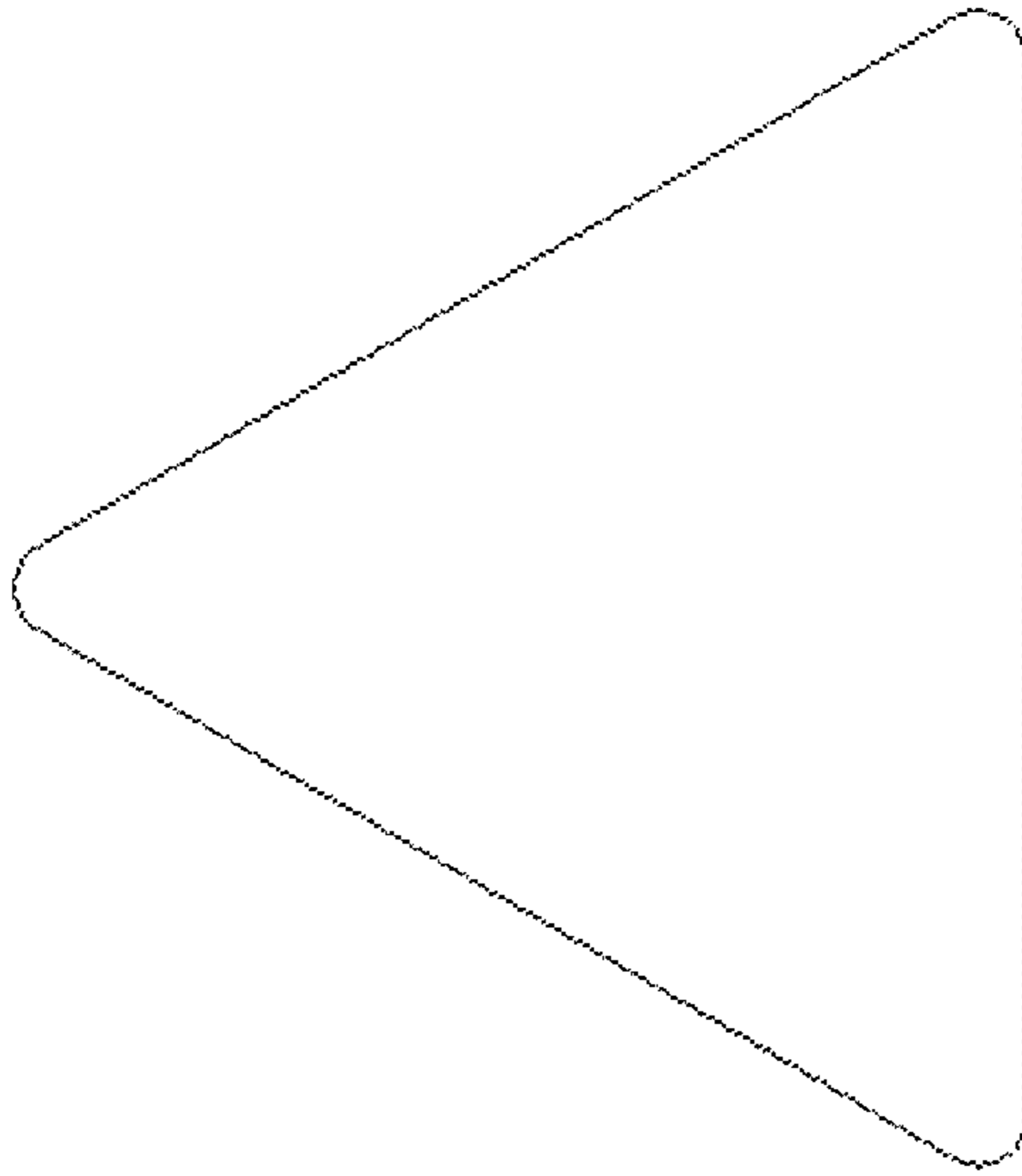


FIG. 6

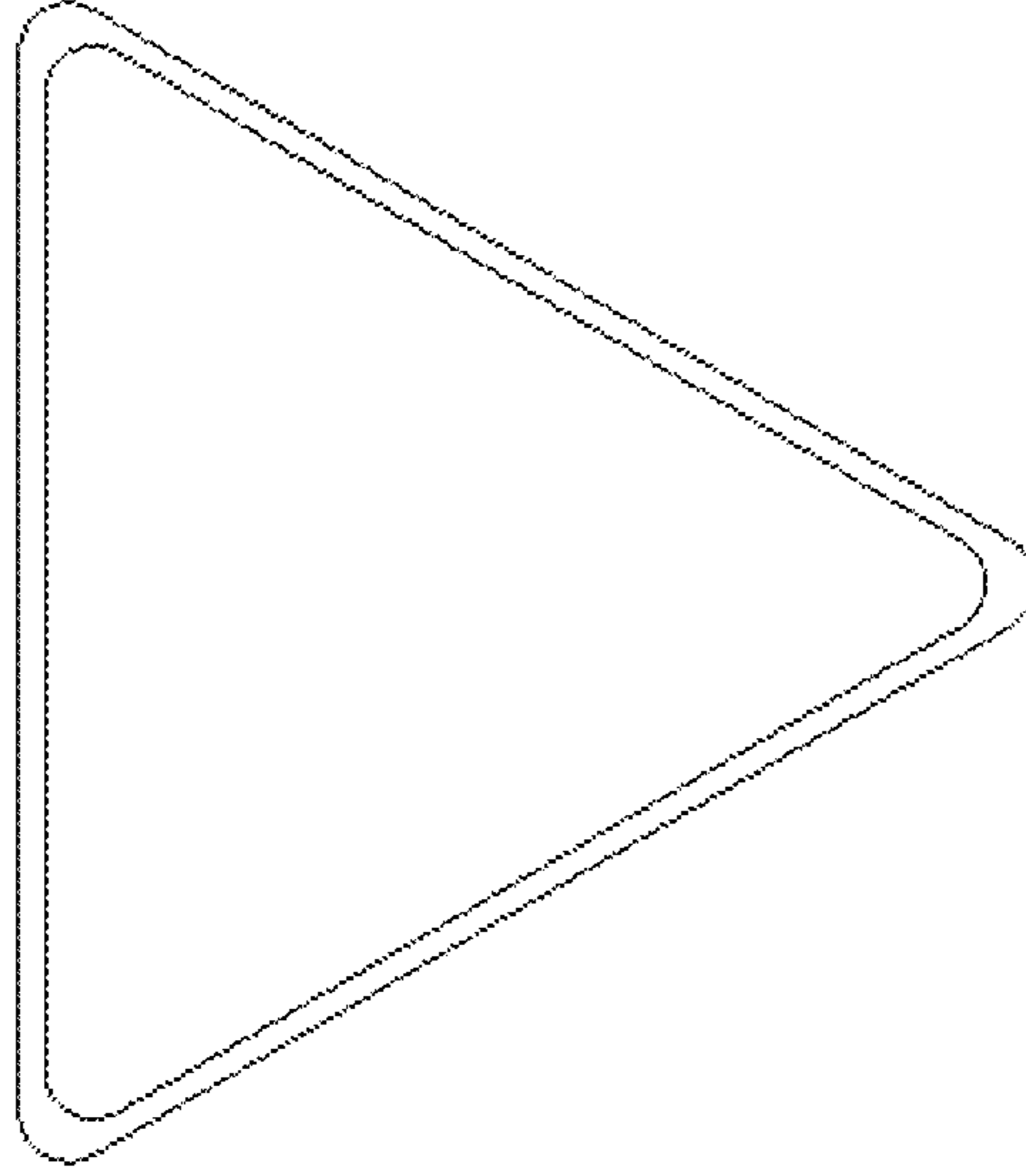


FIG. 7