



US00D948164S

(12) **United States Design Patent**
van Eyk et al.

(10) **Patent No.:** **US D948,164 S**

(45) **Date of Patent:** **** *Apr. 12, 2022**

(54) **HAMBURGER PET TREAT**

(71) Applicant: **Spectrum Brands, Inc.**, Middleton, WI (US)

(72) Inventors: **Gregory van Eyk**, Christiansburg, VA (US); **Tiffany Potter**, Pearisburg, VA (US); **Stephanie Hullverson**, Saint Louis, MO (US)

(73) Assignee: **Spectrum Brands, Inc.**, Middleton, WI (US)

(*) Notice: This patent is subject to a terminal disclaimer.

(**) Term: **15 Years**

(21) Appl. No.: **29/731,508**

(22) Filed: **Apr. 15, 2020**

Related U.S. Application Data

(62) Division of application No. 29/679,702, filed on Feb. 8, 2019, now Pat. No. Des. 884,306.

(51) **LOC (13) Cl.** **01-01**

(52) **U.S. Cl.**
USPC **D1/106**

(58) **Field of Classification Search**
USPC D1/100–130, 199; 426/104, 108, 138, 426/391, 549, 808, 94, 143, 559, 560;
(Continued)

(56) **References Cited**

U.S. PATENT DOCUMENTS

D268,530 S * 4/1983 Ament D21/659
D269,818 S * 7/1983 Ament D11/158
(Continued)

OTHER PUBLICATIONS

Sonic Signature Slingers Cheeseburger, Businesswire. Mar. 1, 2018. Web. Mar. 6, 2020. <<https://www.businesswire.com/news/home/20180301005284/en/New-SONIC-Signature-Slingers-Cheeseburger-Flavor-Guilt>>.

Primary Examiner — Katie Jane Stofko

(74) *Attorney, Agent, or Firm* — Merchant & Gould P.C.

(57) **CLAIM**

The ornamental design for a hamburger pet treat, as shown and described.

DESCRIPTION

FIG. 1 is front and top perspective view of a first embodiment of a hamburger pet treat according to the new design; FIG. 2 is a back and bottom perspective view of the embodiment of FIG. 1;

FIG. 3 is a front elevation view of the embodiment of FIG. 1, the back elevation, left side and right side views being a mirror image of the front elevation view;

FIG. 4 is a top plan view of the embodiment of FIG. 1;

FIG. 5 is a bottom plan view of the embodiment of FIG. 1;

FIG. 6 is front and top perspective view of a second embodiment of a hamburger pet treat according to the new design;

FIG. 7 is a back and bottom perspective view of the embodiment of FIG. 6;

FIG. 8 is a front elevation view of the embodiment of FIG. 6, the back elevation, left side and right side views being a mirror image of the front elevation view;

FIG. 9 is a top plan view of the embodiment of FIG. 6;

FIG. 10 is a bottom plan view of the embodiment of FIG. 6;

FIG. 11 is front and top perspective view of a third embodiment of a hamburger pet treat according to the new design;

FIG. 12 is a back and bottom perspective view of the embodiment of FIG. 11;

FIG. 13 is a front elevation view of the embodiment of FIG. 11, the back elevation, left side and right side views being a mirror image of the front elevation view;

FIG. 14 is a top plan view of the embodiment of FIG. 11;

FIG. 15 is a bottom plan view of the embodiment of FIG. 11;

FIG. 16 is front and top perspective view of a fourth embodiment of a hamburger pet treat according to the new design;

FIG. 17 is a back and bottom perspective view of the embodiment of FIG. 16;

FIG. 18 is a front elevation view of the embodiment of FIG. 16, the back elevation, left side and right side views being a mirror image of the front elevation view;

(Continued)

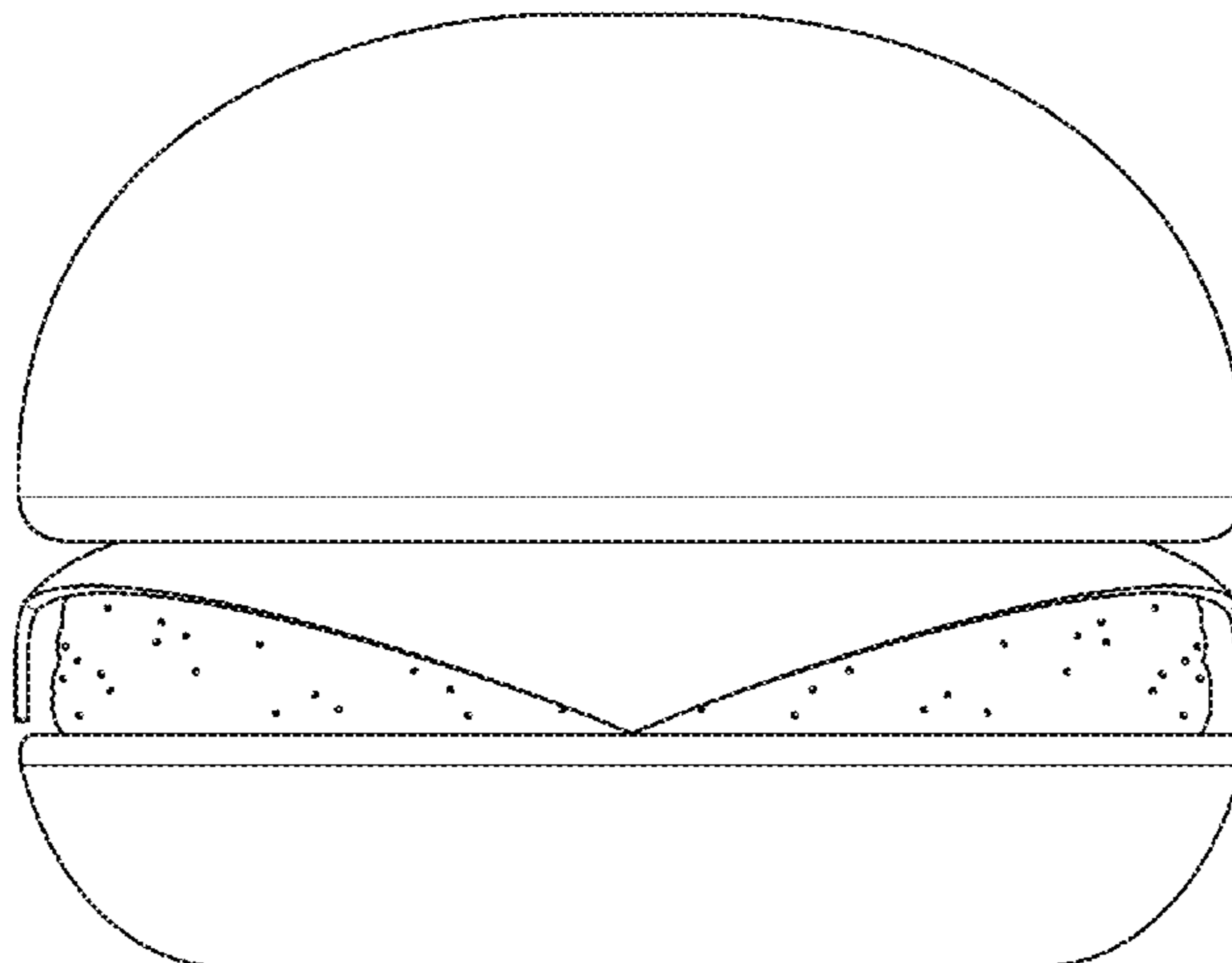


FIG. 19 is a top plan view of the embodiment of FIG. 16; and, FIG. 20 is a bottom plan view of the embodiment of FIG. 16. The broken lines shown in FIGS. 6-8, 12, 15-18 and 20 illustrate portions of the hamburger pet treat that form no part of the claimed design.

1 Claim, 20 Drawing Sheets

(58) **Field of Classification Search**

USPC D6/597, 601, 303; D7/359, 354, 628, D7/675; D21/464, 594; 28/4; 119/710; D25/138; D9/456, 624, 629, 707; D11/44, 56, 81, 83, 103, 149, 157; 249/92; D3/208, 271.1; D99/5
 CPC .. A21D 13/0025; A21D 13/0074; B26D 3/11; A47J 37/043; A47J 37/049; A47J 43/18; A22C 17/006; A22C 13/0013; A23L 1/164; A23L 1/005; A23B 4/10; B65D 81/343

See application file for complete search history.

(56)

References Cited

U.S. PATENT DOCUMENTS

D273,435	S	*	4/1984	Lipschutz	D1/129
D324,172	S	*	2/1992	Mederer	D1/102
D345,400	S	*	3/1994	Pachol	D1/106
D403,717	S	*	1/1999	Hammer	D21/464
D632,456	S	*	2/2011	Roskam	D1/129
D645,637	S		9/2011	Mingyun et al.		
D672,526	S		12/2012	Lee		
8,357,409	B2		1/2013	Caldwell		
8,703,220	B2		4/2014	Caldwell		
D712,623	S		9/2014	James et al.		
D792,050	S		7/2017	Richhard		
D862,833	S	*	10/2019	de Bue	D1/106
D884,306	S	*	5/2020	van Eyk	D1/106
2009/0208633	A1		8/2009	Kyed et al.		
2009/0258116	A1*		10/2009	Peyton	G09F 3/10 426/87
2010/0124589	A1		5/2010	Feldmeier et al.		
2010/0124591	A1		5/2010	Feldmeier et al.		
2013/0295234	A1		11/2013	Culp		
2014/0161927	A1		6/2014	Chang		
2018/0037393	A1		2/2018	Cichowski et al.		

* cited by examiner

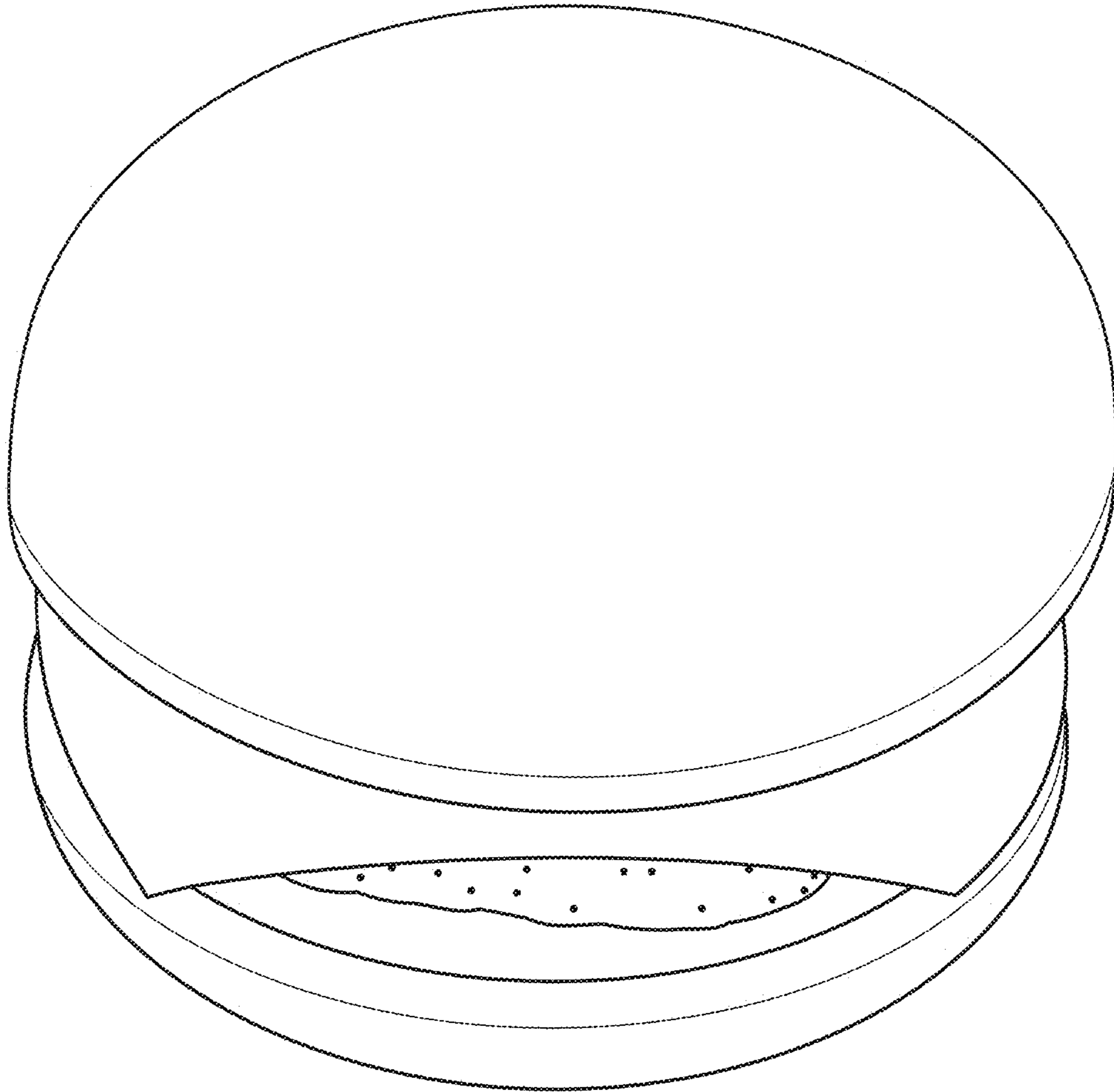


FIG. 1

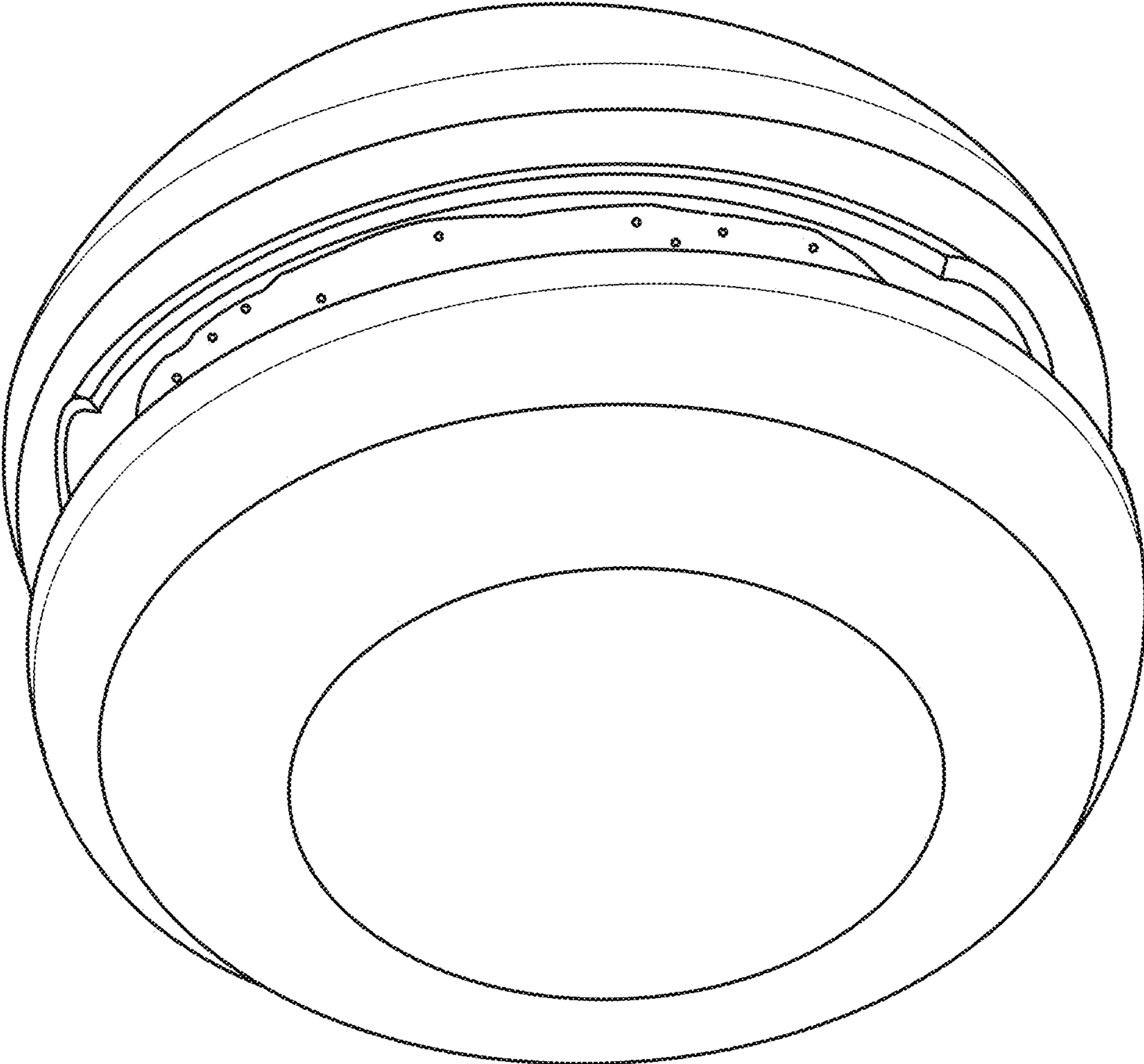


FIG. 2

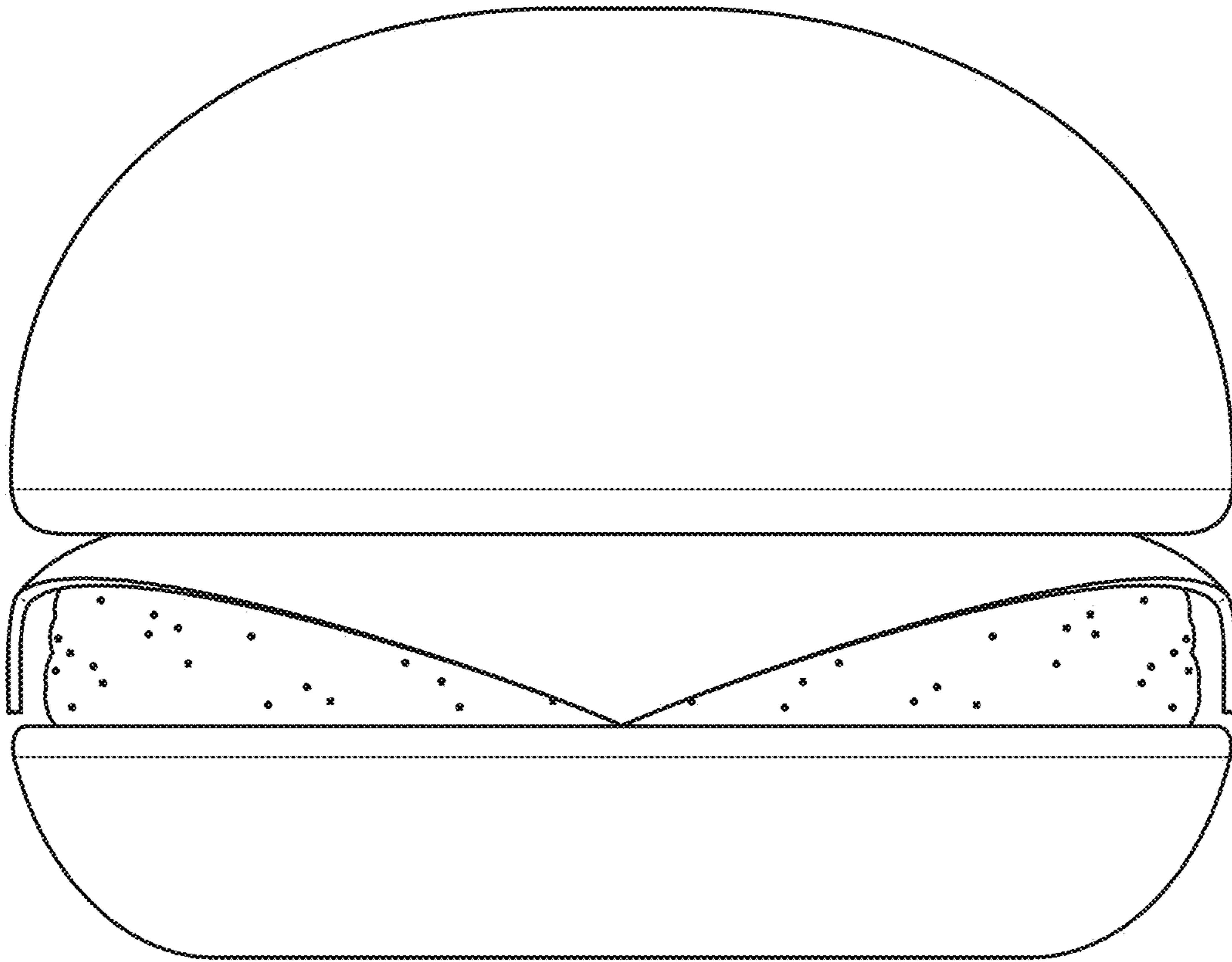


FIG. 3

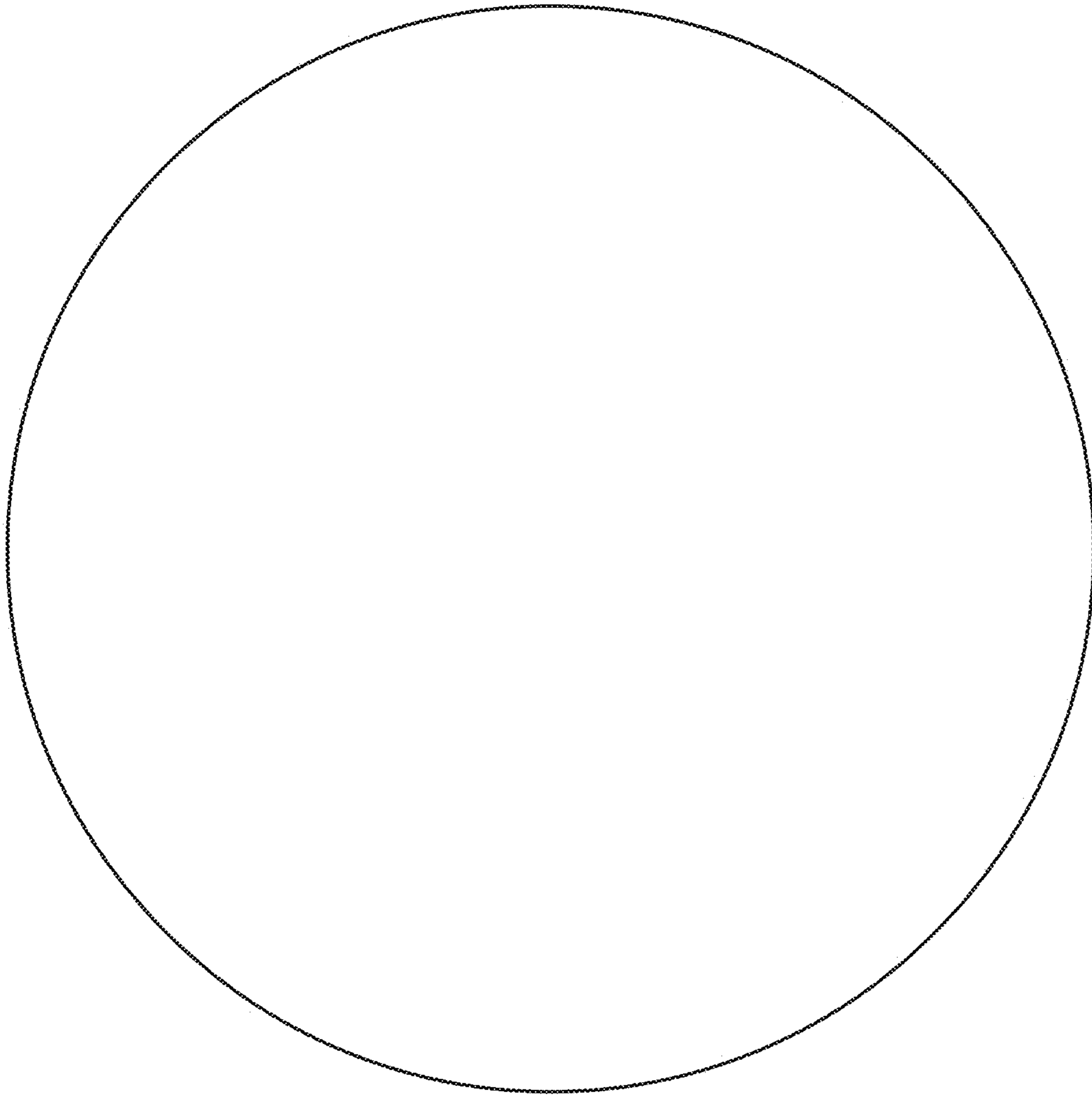


FIG. 4

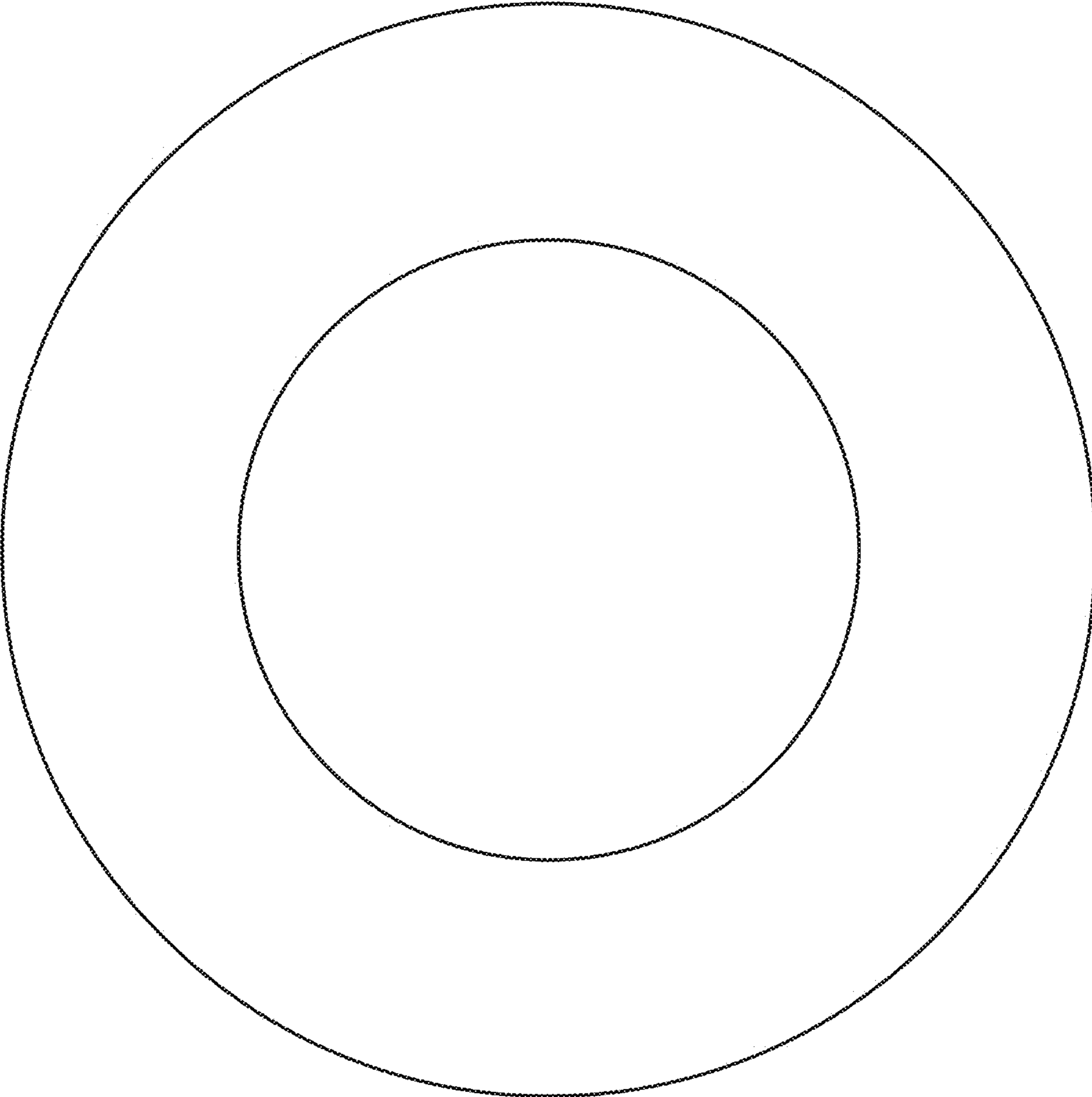


FIG. 5

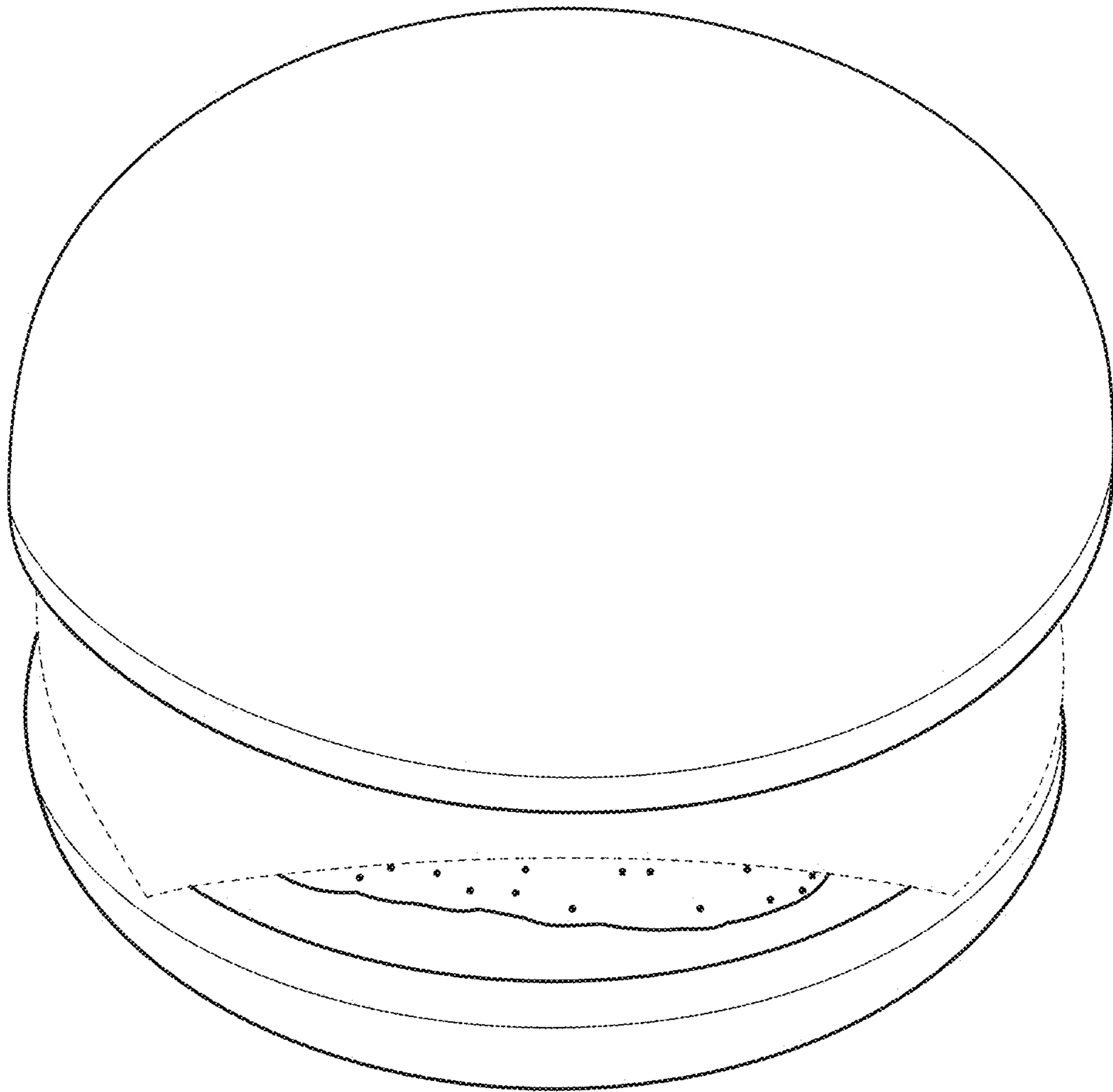


FIG. 6

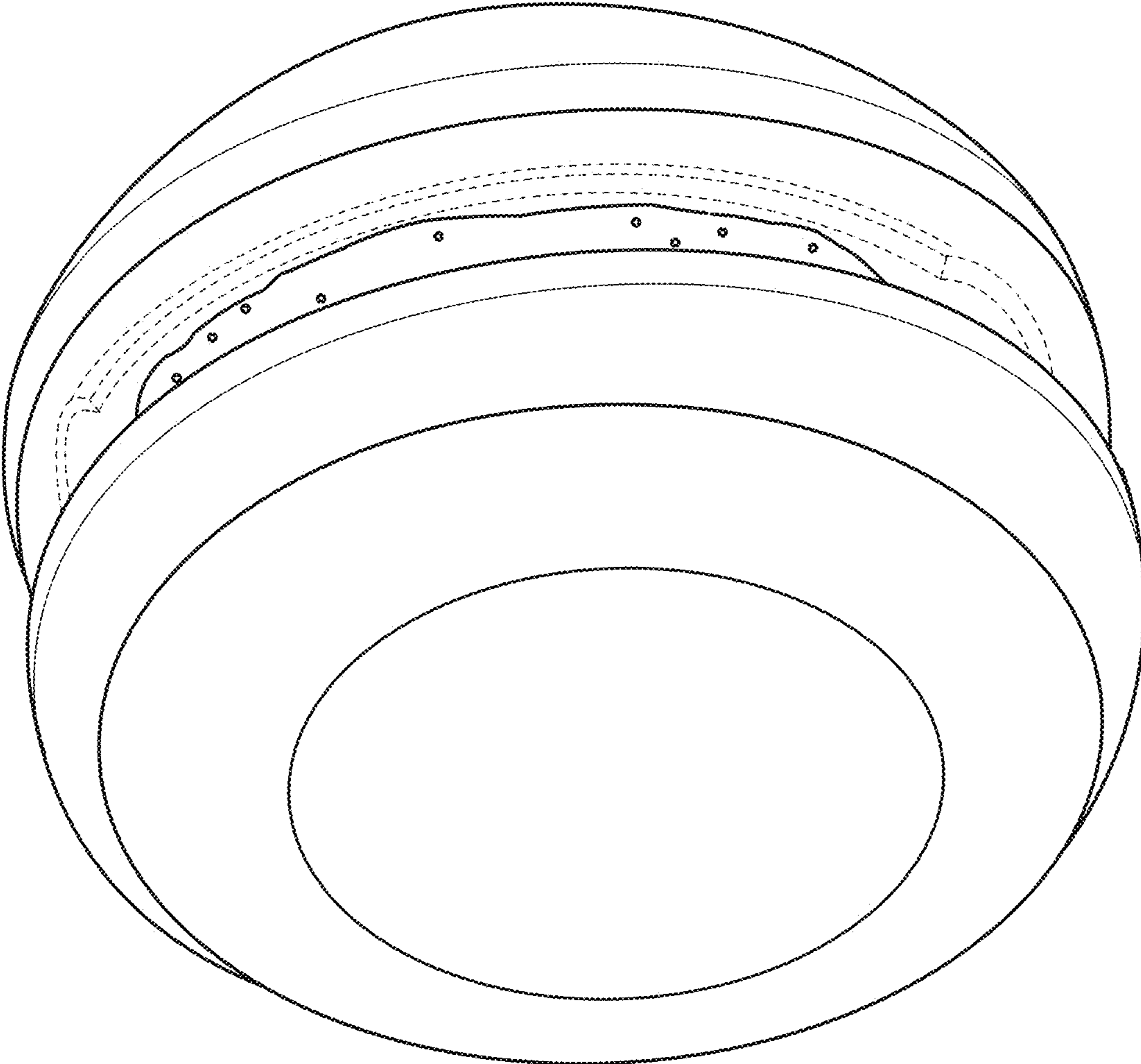


FIG. 7

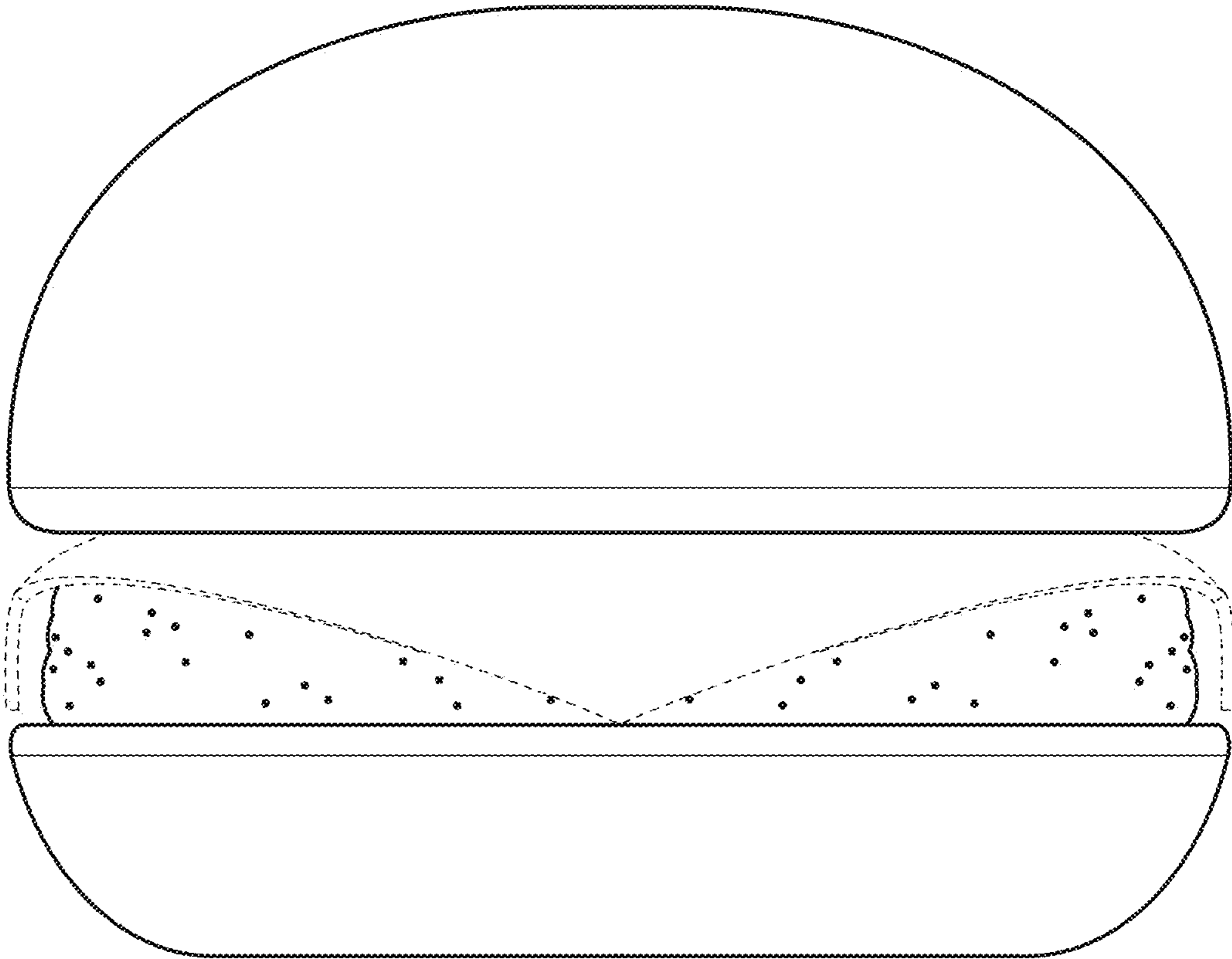


FIG. 8

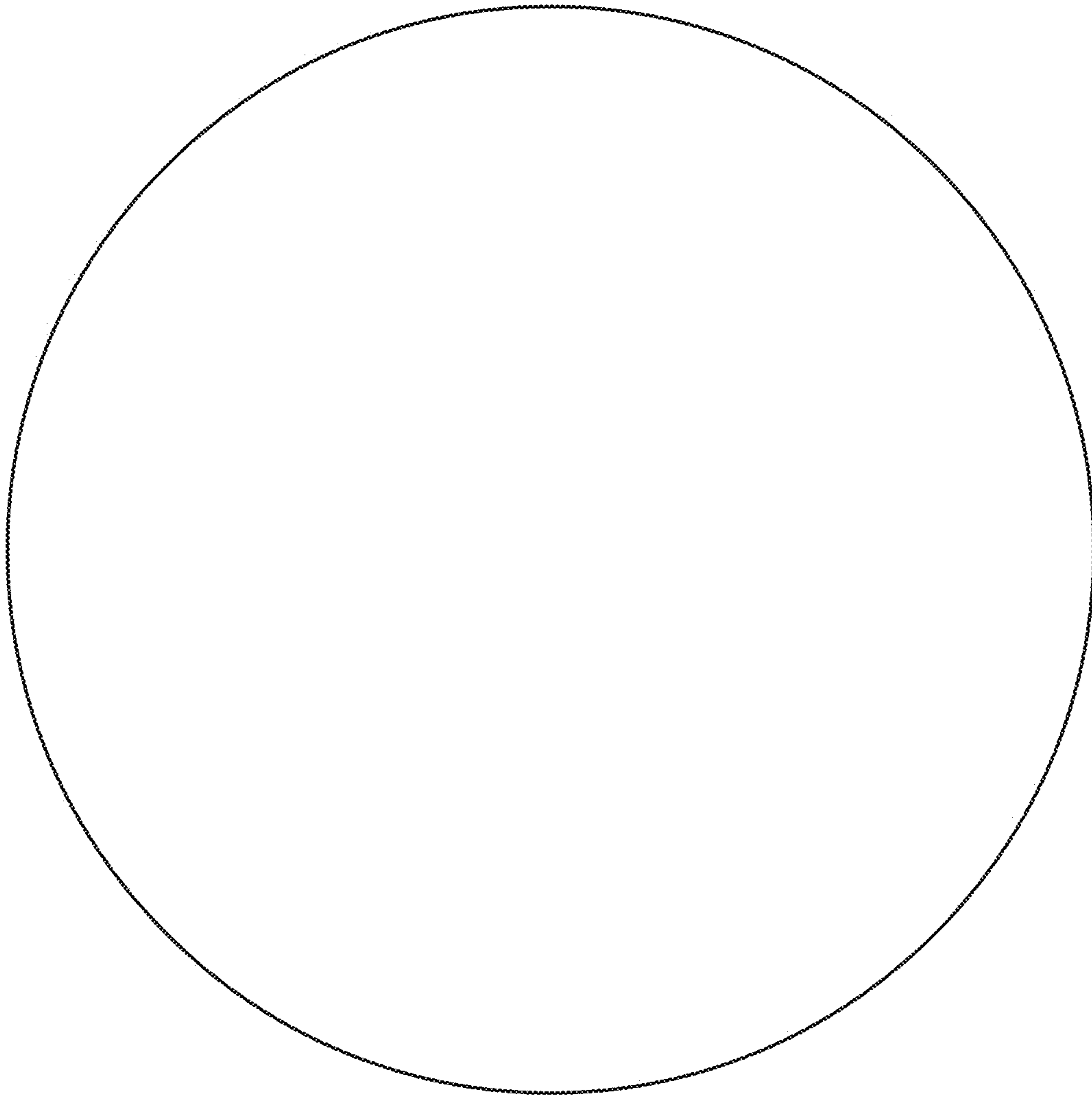


FIG. 9

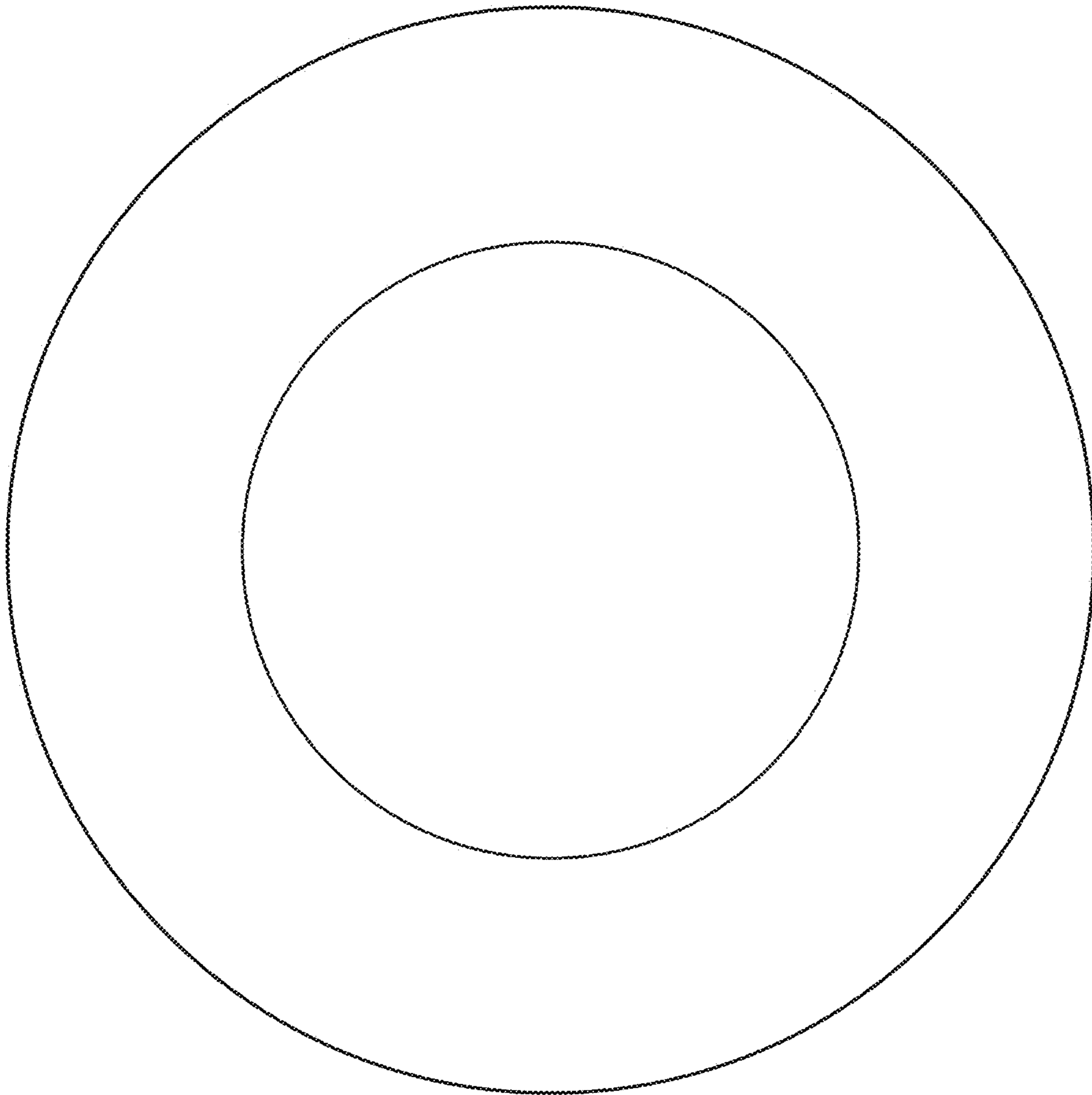


FIG. 10

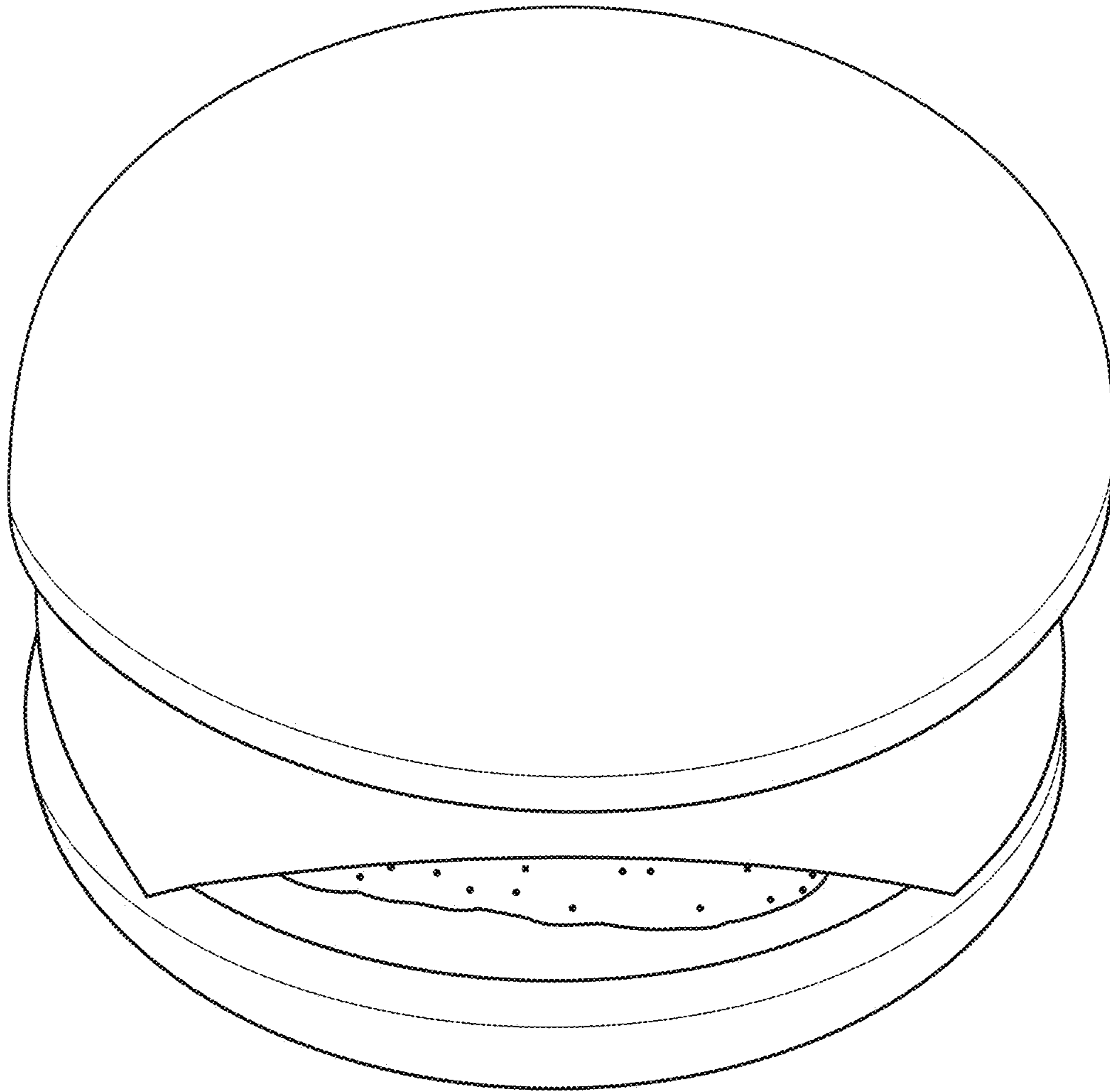


FIG. 11

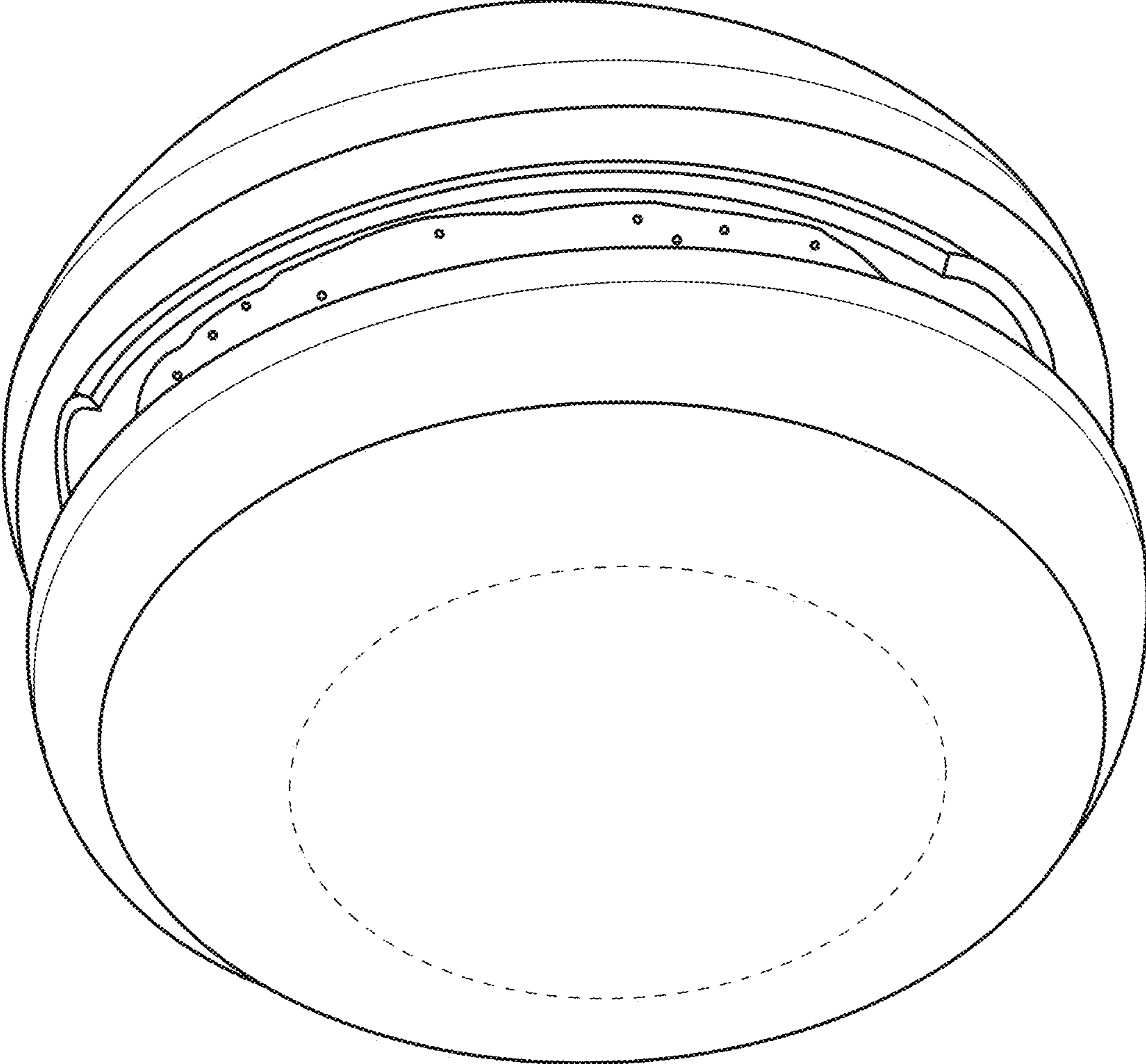


FIG. 12

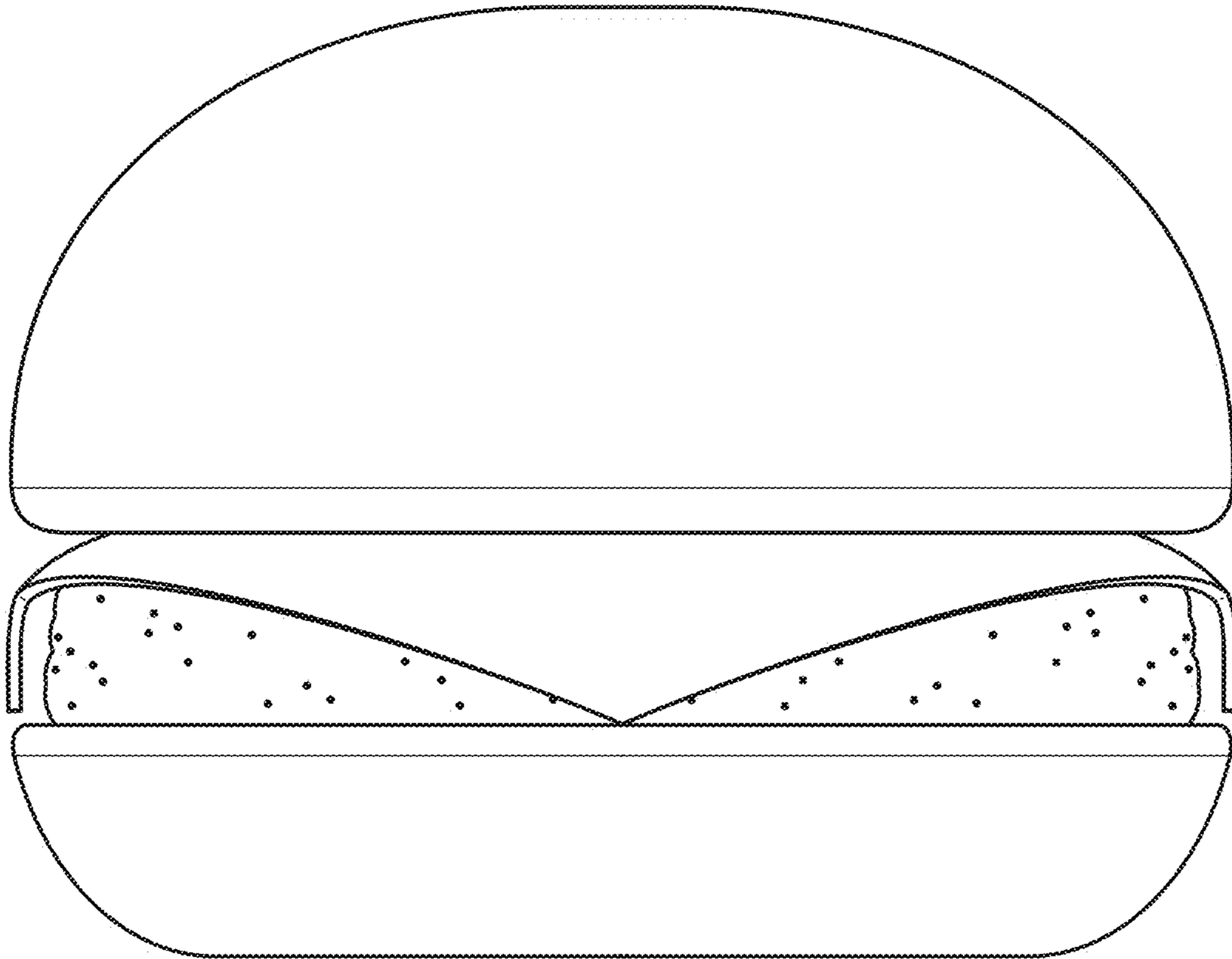


FIG. 13

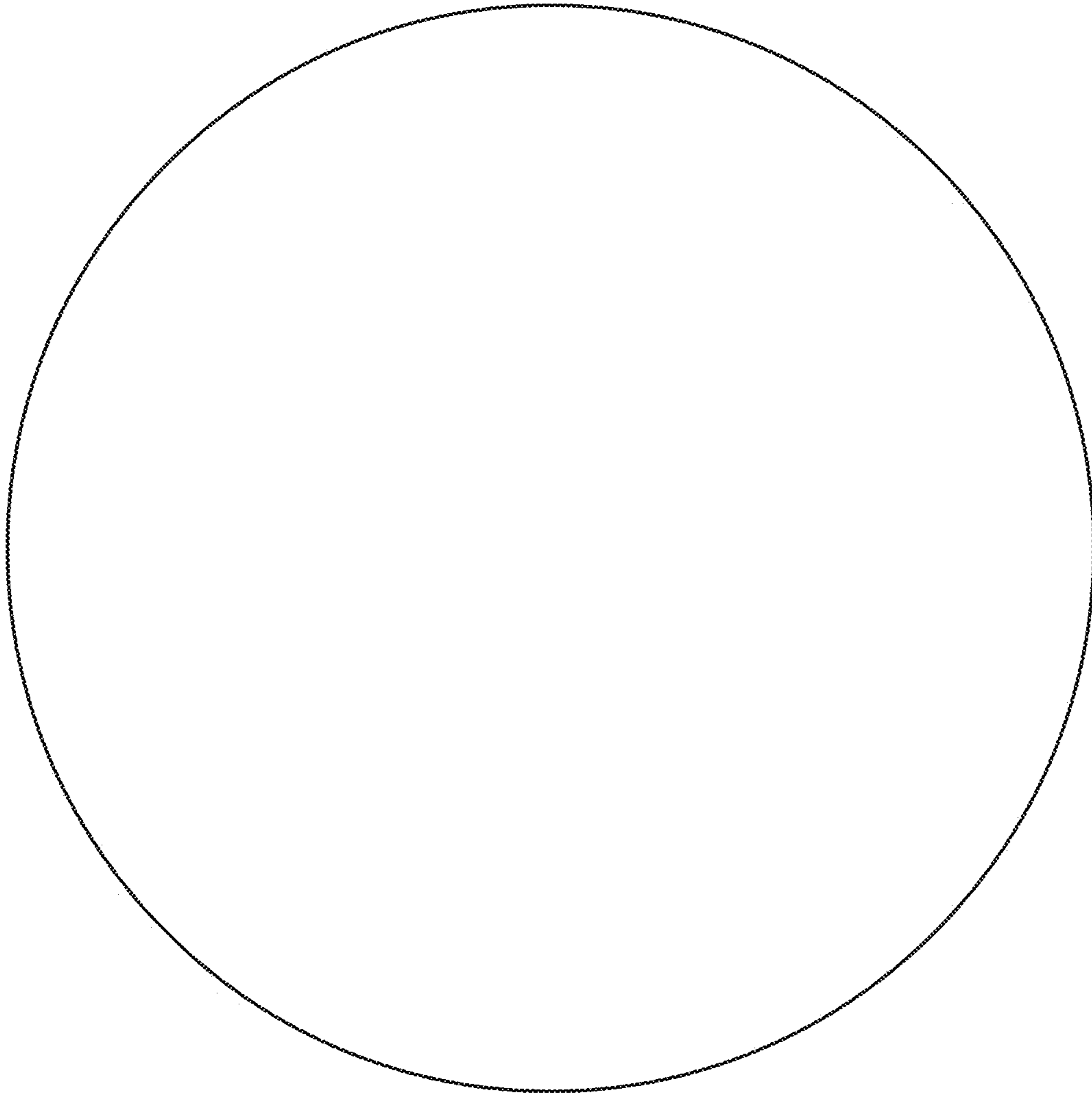


FIG. 14

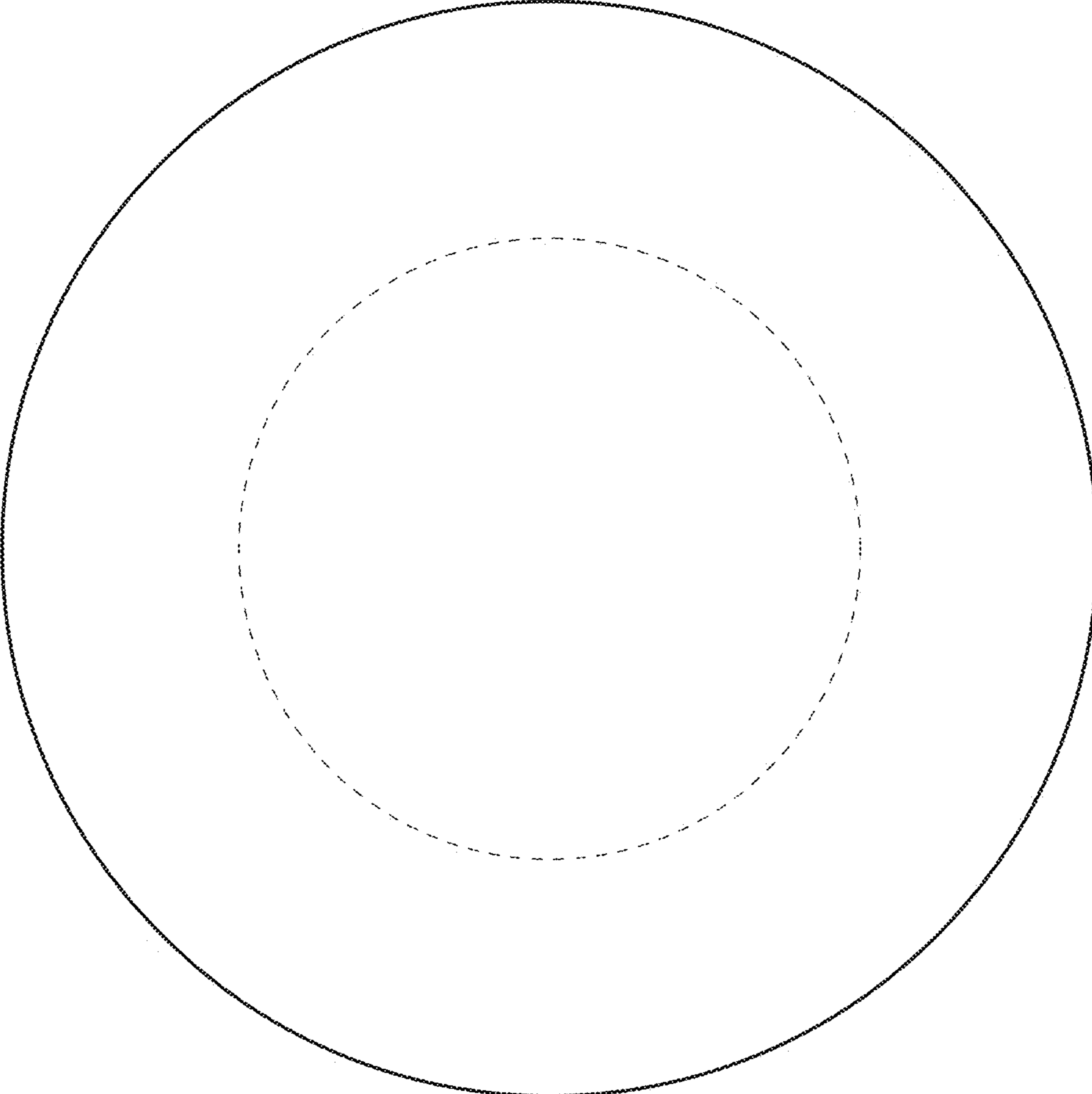


FIG. 15

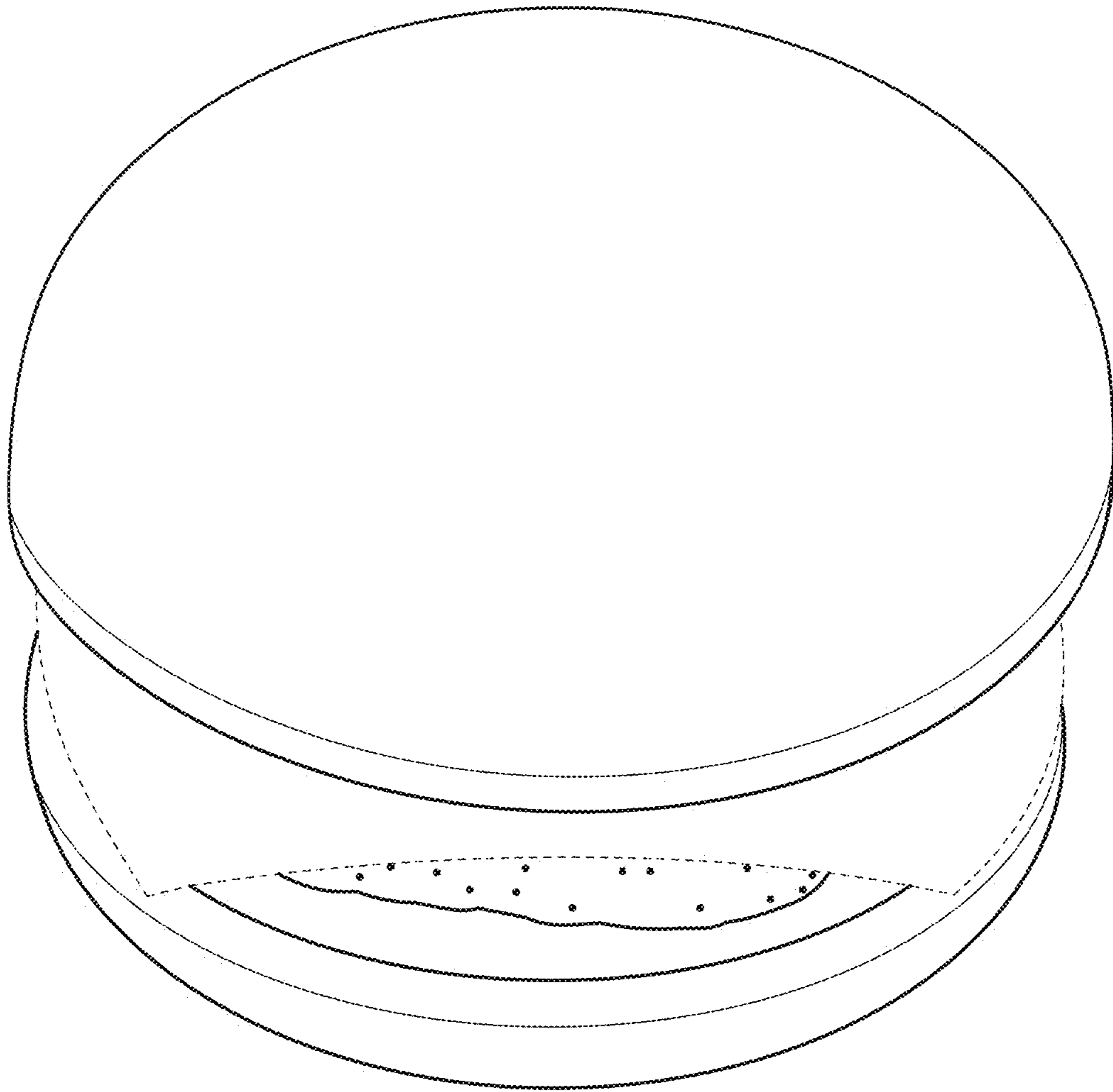


FIG. 16

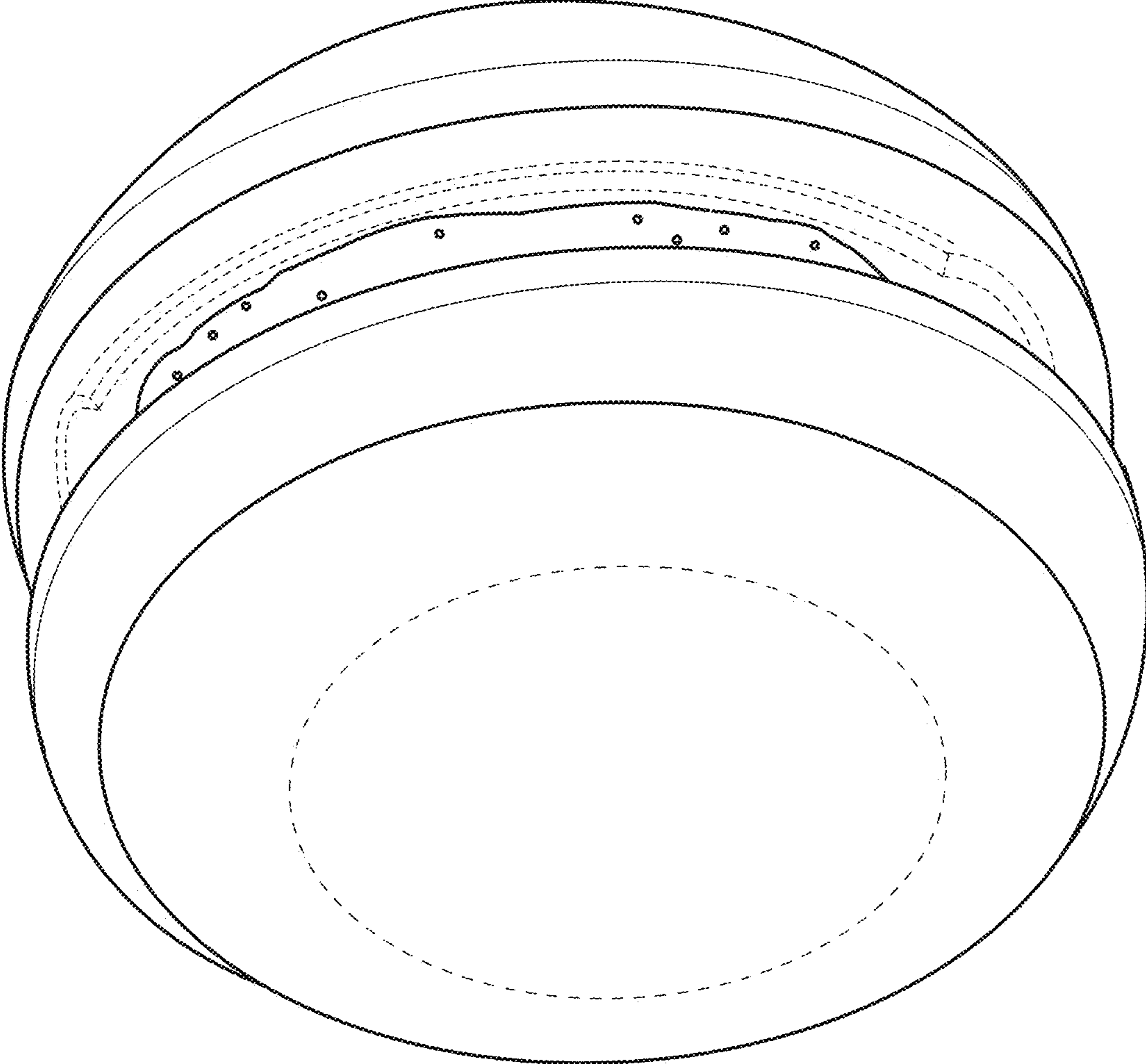


FIG. 17

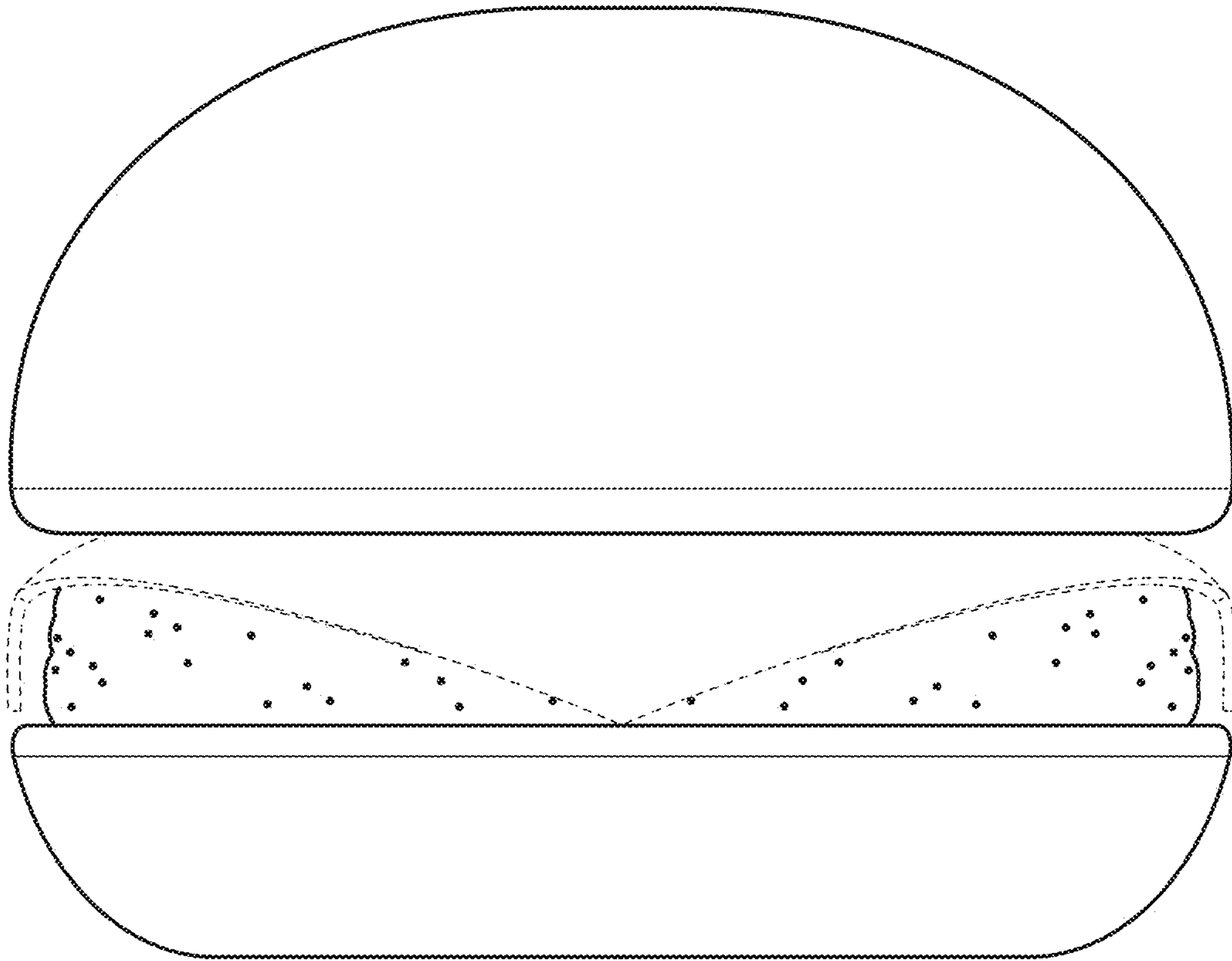


FIG. 18

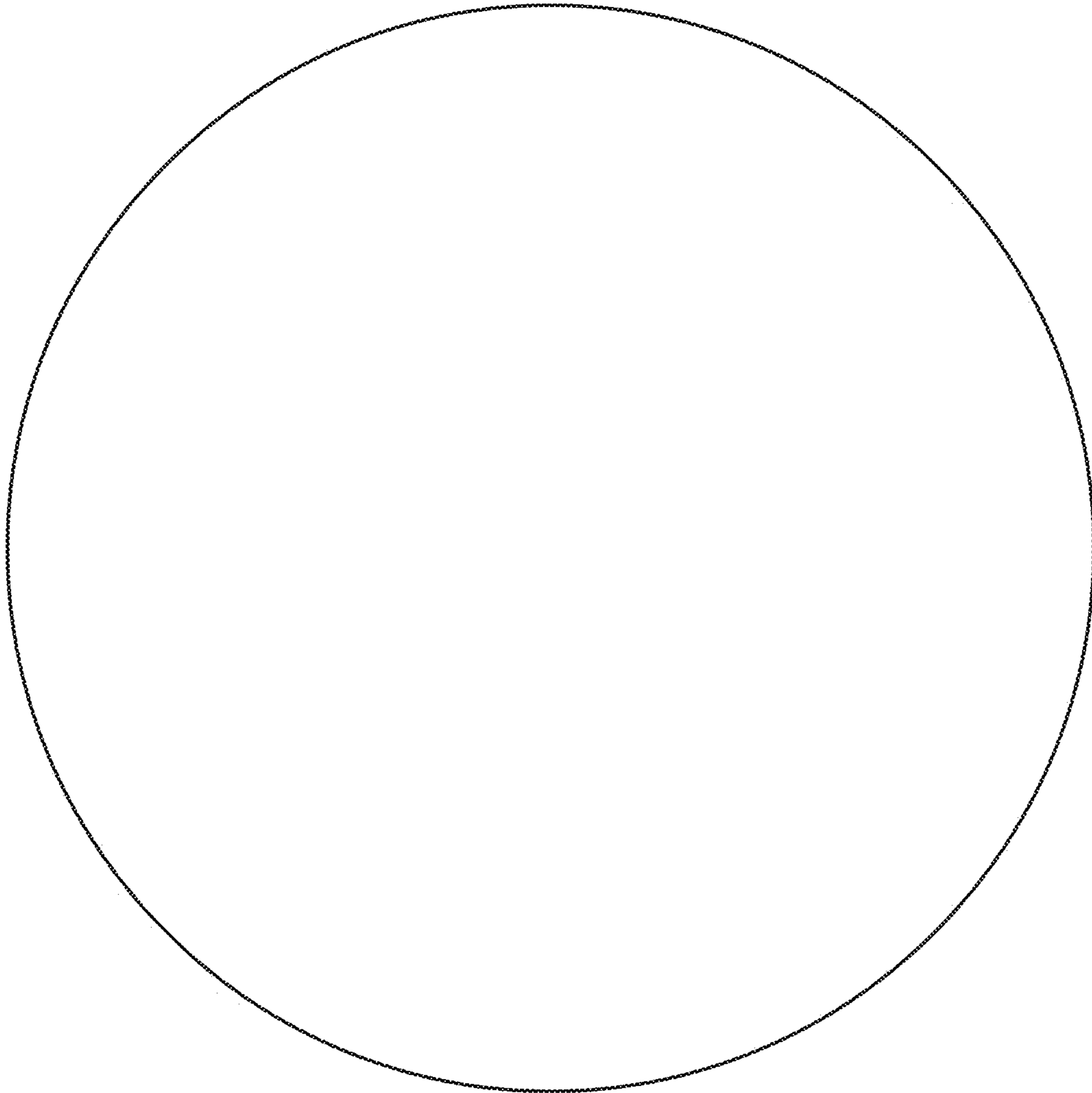


FIG. 19

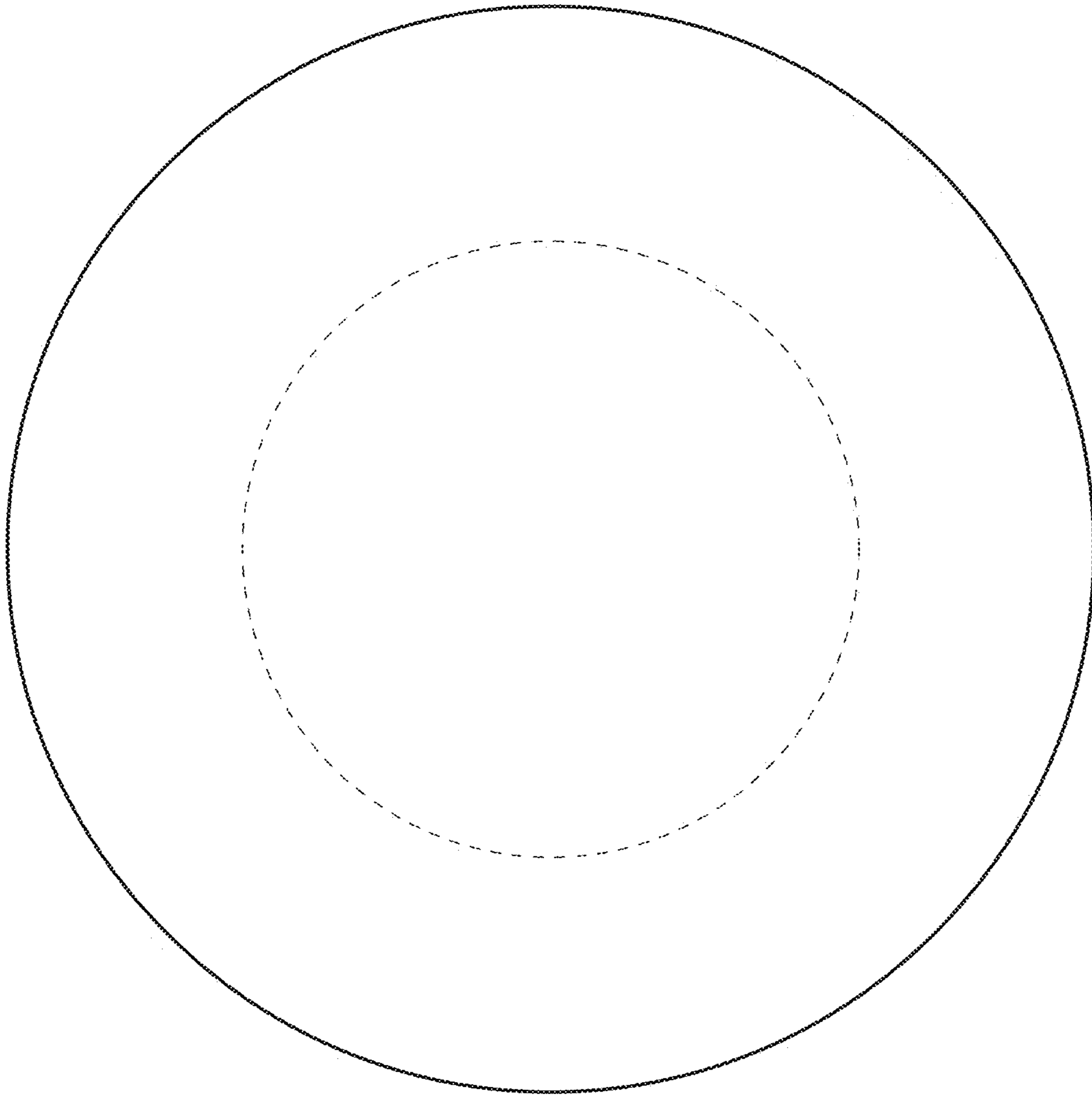


FIG. 20