



US00D948160S

(12) **United States Design Patent**
Chen

(10) **Patent No.:** **US D948,160 S**

(45) **Date of Patent:** **** Apr. 5, 2022**

(54) **PISTOL BOX**

(71) Applicant: **Ningbo Tigerking Safe Co., Ltd.**,
Zhejiang (CN)

(72) Inventor: **Junbiao Chen**, Zhejiang (CN)

(73) Assignee: **Ningbo Tigerking Safe Co., Ltd.**,
Ningbo (CN)

(**) Term: **15 Years**

(21) Appl. No.: **29/747,586**

(22) Filed: **Aug. 24, 2020**

(51) **LOC (13) Cl.** **99-00**

(52) **U.S. Cl.**
USPC **D99/43**; D99/28

(58) **Field of Classification Search**
USPC D99/28, 34, 35, 36, 43; 109/1 R, 1 V, 2,
109/45; 902/9, 30; 235/100; 206/317,
206/527, 235; 312/400, 409
CPC E05B 65/0075; F42B 39/00; F42B 39/002;
F42B 39/14; F42B 39/18; F42B 39/24;
F42B 39/22; F42B 39/20; F42B 39/26;
E05G 1/00; E05G 1/005; E05G 1/024;
E05G 5/00; E05G 5/02; E05G 2700/00;
E05G 2700/02; E05G 2700/04; E07D
11/0006; G07D 11/0009; G07D 11/009;
G07D 9/002; G07D 9/004; G07D 9/008;
G07F 9/06; G07F 9/003; G07F 17/10;
G07F 17/105
See application file for complete search history.

(56) **References Cited**

U.S. PATENT DOCUMENTS

2,104,828	A *	1/1938	Brinnon	B65D 5/48048	206/278
D249,970	S *	10/1978	Wetzel	D99/28	
D268,063	S *	2/1983	Chase	D99/28	
D281,920	S *	12/1985	Lacka	D99/28	
D284,323	S *	6/1986	Whatley	D99/28	

D310,304	S *	9/1990	Carmichael	D12/423	
D335,378	S *	5/1993	Mariol	D99/28	
D461,955	S *	8/2002	Romaen	D3/262	
6,843,081	B1 *	1/2005	Painter	F41C 33/06	109/45
D569,073	S *	5/2008	Osiecki	D99/28	

(Continued)

OTHER PUBLICATIONS

Liberty HD-200 Quick Vault Handgun & Pistol Safe, <https://www.safeandvaultstore.com/collections/handgun-and-pistol-safes/products/liberty-hd-200-quick-vault-handgun-pistol-safe-hd-200>, Jan. 13, 2016. (Year: 2016).*

(Continued)

Primary Examiner — Elizabeth J Oswecki

(74) *Attorney, Agent, or Firm* — Leason Ellis, LLP

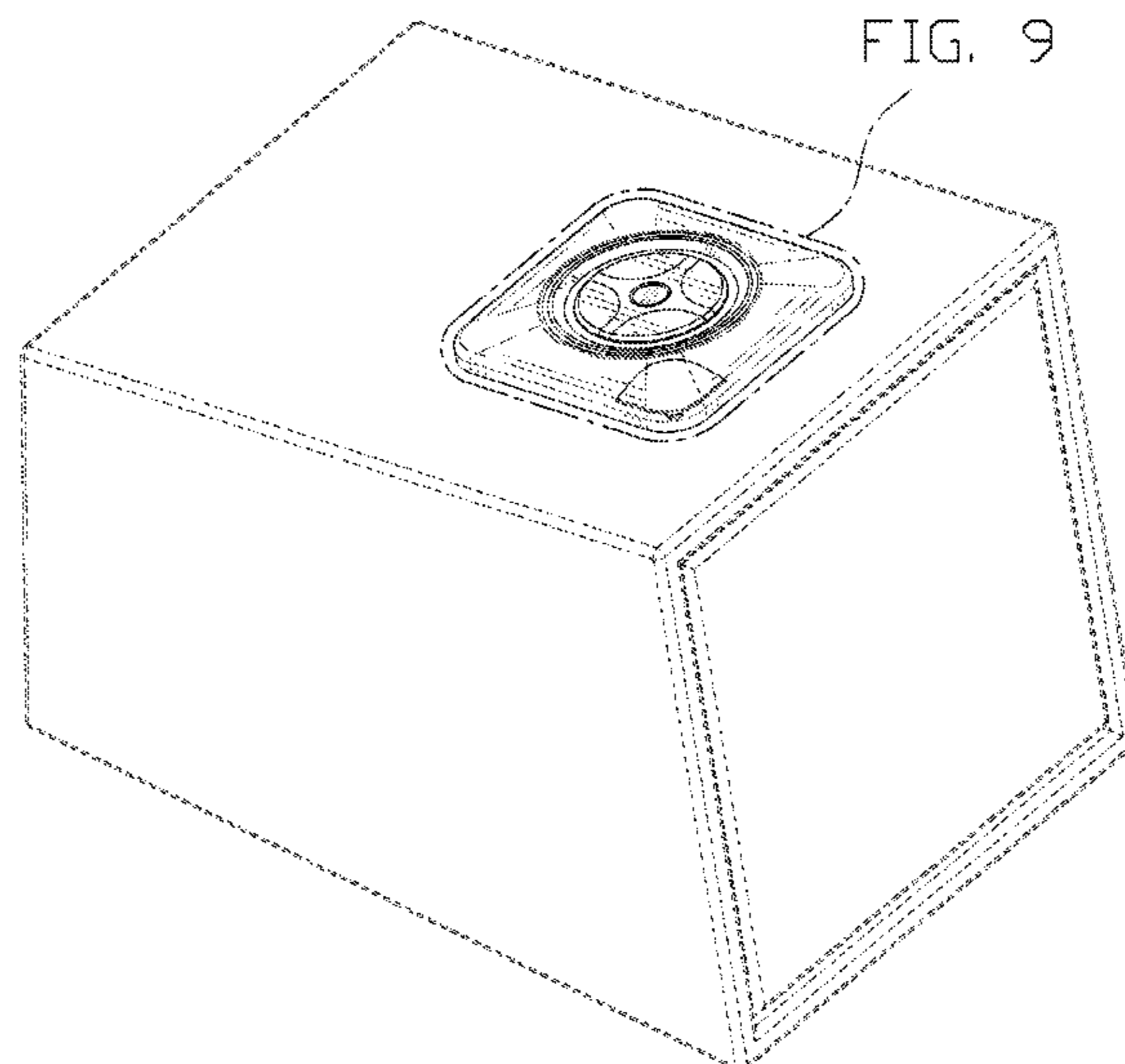
(57) **CLAIM**

The ornamental design for a pistol box, as shown and described.

DESCRIPTION

FIG. 1 is a front, left and top side perspective view of a pistol box showing my new design;
FIG. 2 is a rear, right and top side perspective view thereof;
FIG. 3 is a front elevational view thereof;
FIG. 4 is a rear elevational view thereof;
FIG. 5 is a left side elevational view thereof;
FIG. 6 is a right side elevational view thereof;
FIG. 7 is a top plan view thereof;
FIG. 8 is a bottom plan view thereof; and,
FIG. 9 is an enlarged portion view taken from encircled portion labeled, "FIG. 9," in FIG. 1.
The dashed-dot lines in FIGS. 1 and 9 represent the boundary of the enlarged portion view of FIG. 9 and form no part of the claimed design. The even broken lines in the drawings represent portions of the pistol box that form no part of the claimed design.

1 Claim, 9 Drawing Sheets



(56)

References Cited

U.S. PATENT DOCUMENTS

D570,074	S *	5/2008	Osiecki	D99/28
D799,149	S *	10/2017	Chafetz	D99/28
D803,508	S *	11/2017	Horn	D99/28
D849,354	S *	5/2019	Chen	D99/28
D853,078	S *	7/2019	Rayfield	D99/28
D866,913	S *	11/2019	Xu	D99/28
D881,504	S *	4/2020	Baker	D99/28
D895,225	S *	9/2020	Smith	D99/28
D912,365	S *	3/2021	Shen	D99/28
2005/0194872	A1 *	9/2005	Cleveland	A47B 81/005 312/290
2013/0025511	A1 *	1/2013	Maxwell	E05G 1/04 109/59 R
2016/0018186	A1 *	1/2016	Pikielny	F41A 17/44 206/317

OTHER PUBLICATIONS

Gunbunker GS-1 Car, Motorcycle, Truck, Home Gun Safe, https://www.amazon.com/Gunbunker-GS-1-Motorcycle-Truck-Home/dp/B00YD718WA/ref=as_li_ss_tl?srs=11792960011&ie=UTF8&qid=1531584258&sr=8-1&linkCode=ll1&tag=safewicom-20&linkId=82ef796cd5c7535c64c465e2bca23863, Jun. 1, 2015. (Year: 2015).
Design U.S. Appl. No. 29/747,607, filed Aug. 24, 2020.

* cited by examiner

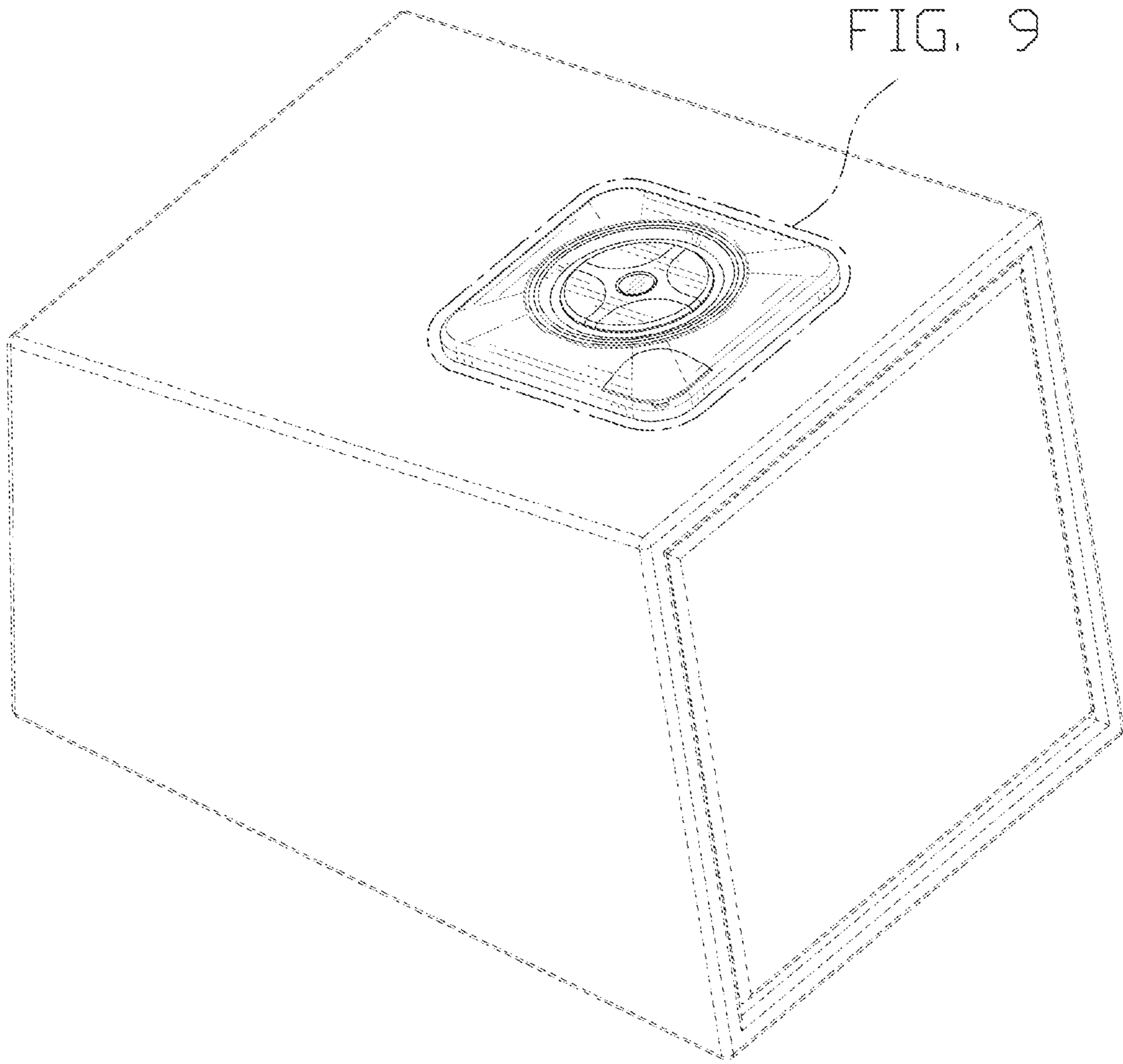


FIG. 1

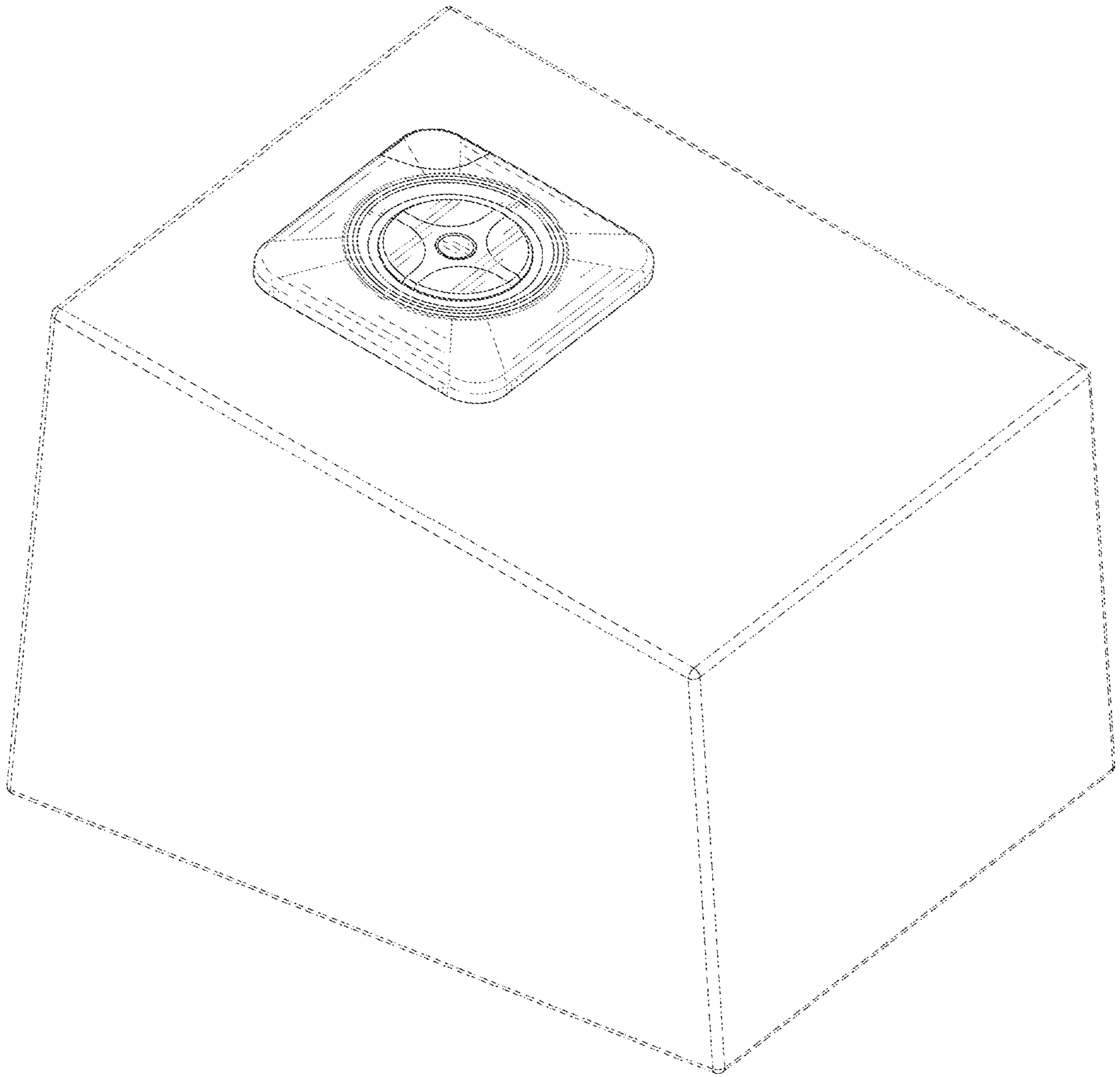


FIG. 2

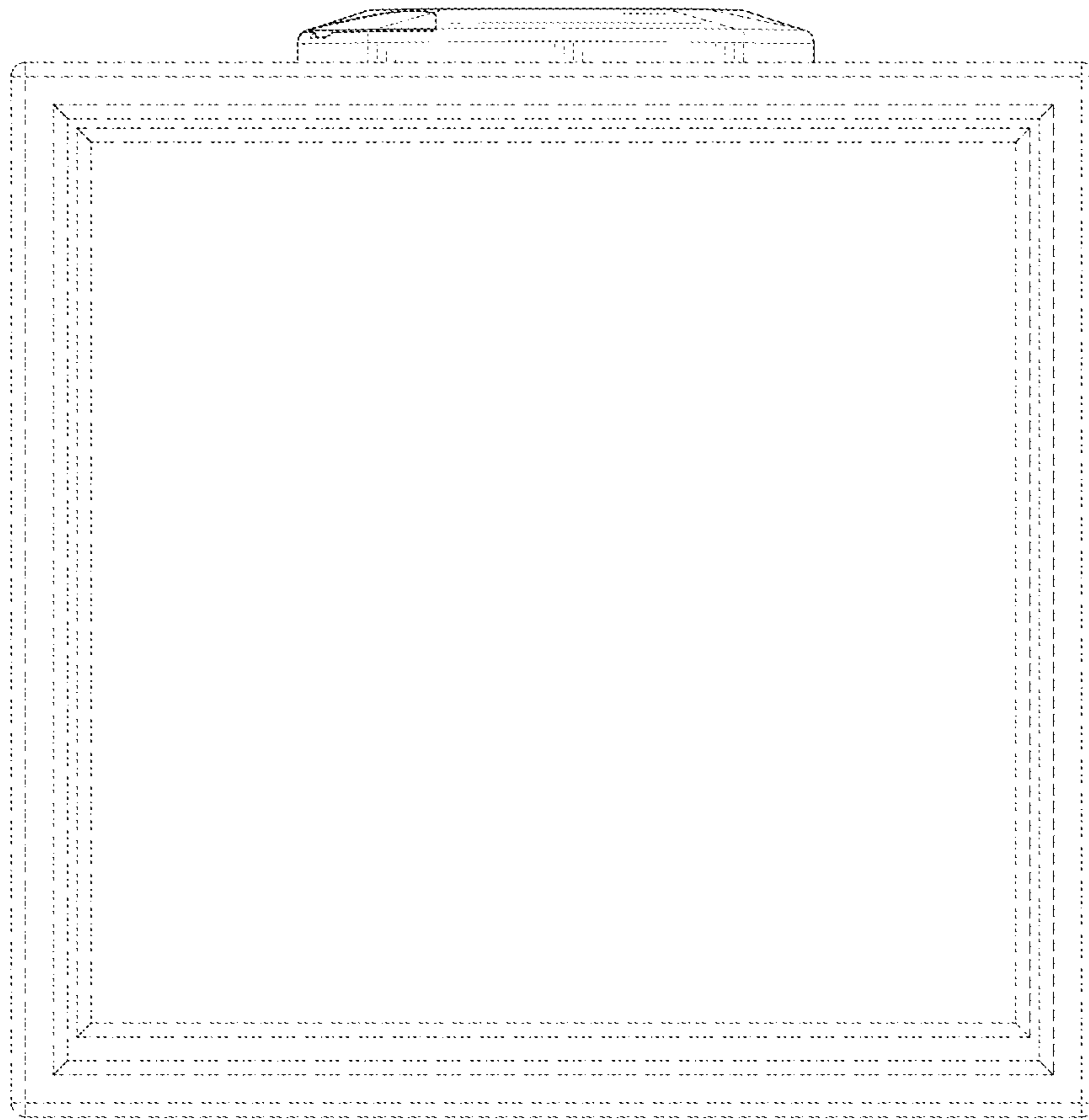


FIG. 3

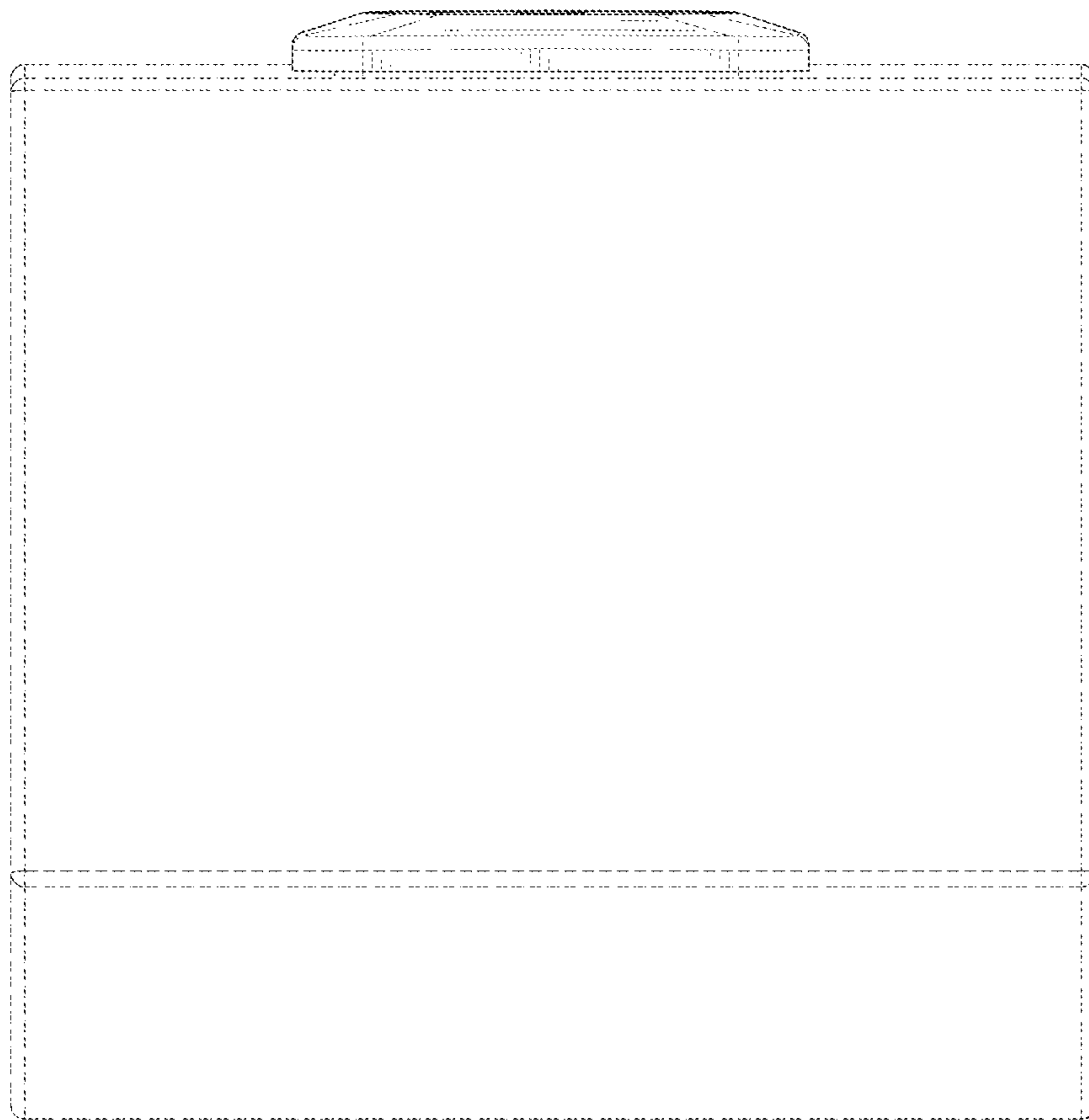


FIG. 4

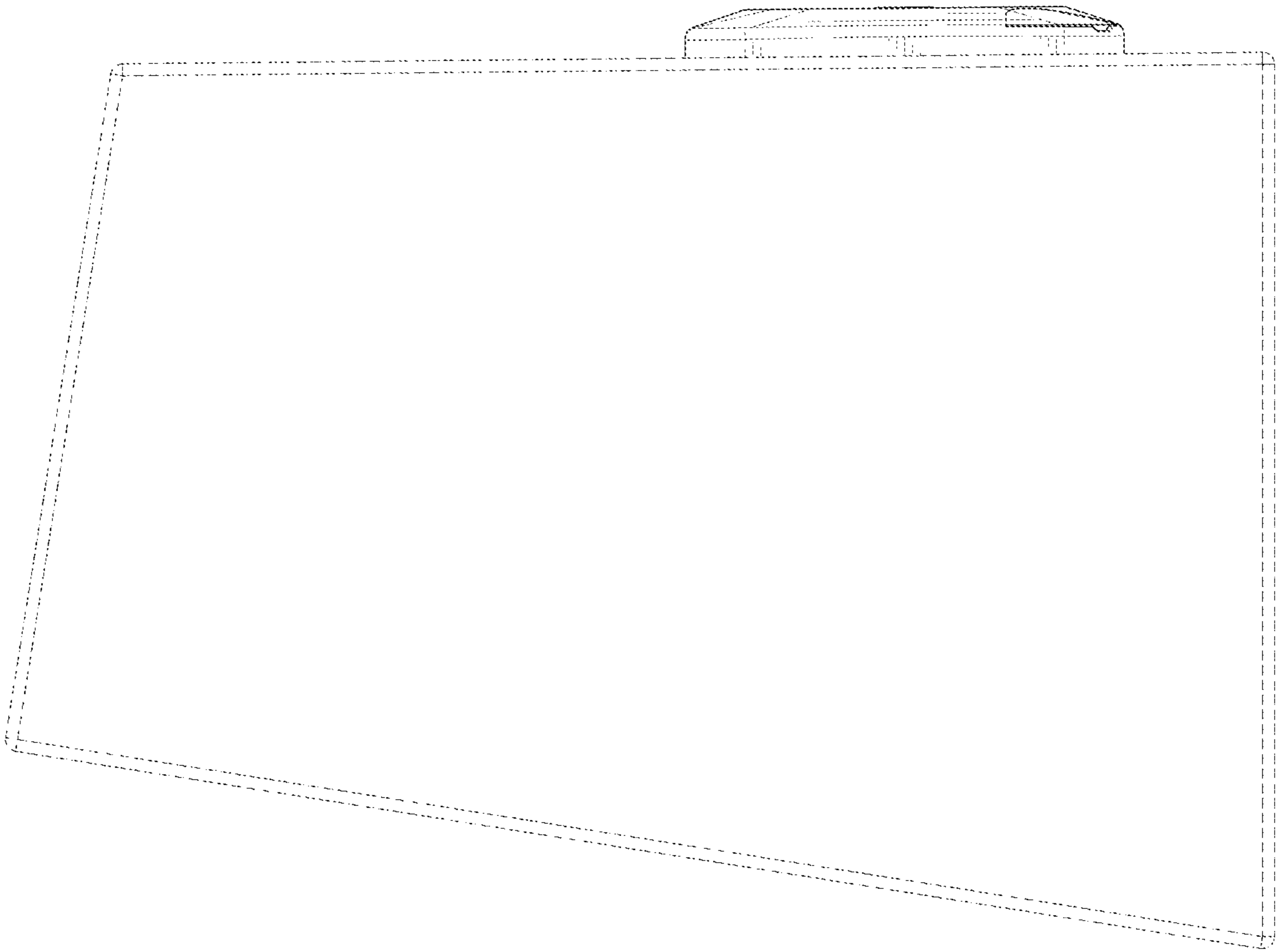


FIG. 5

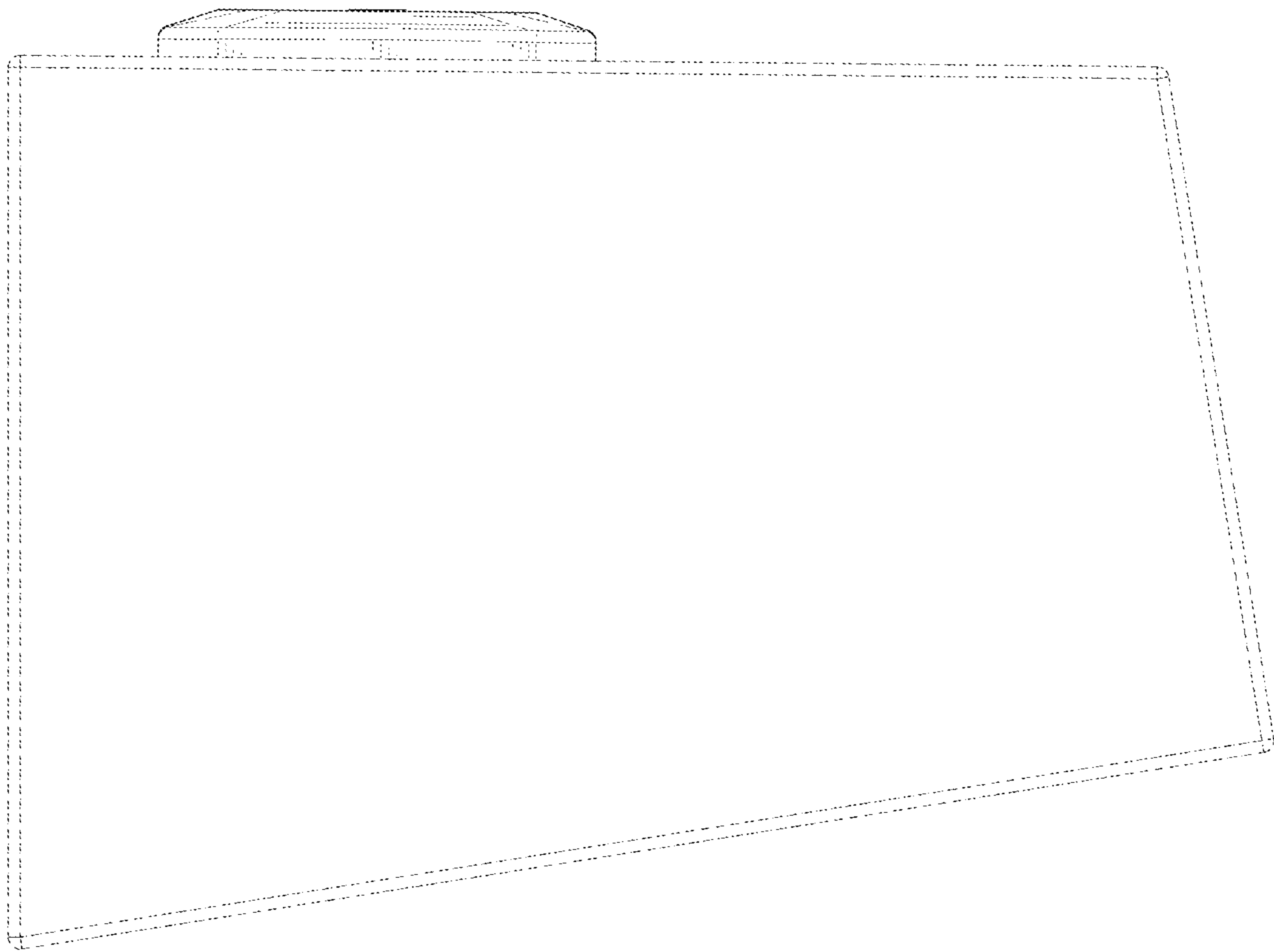


FIG. 6

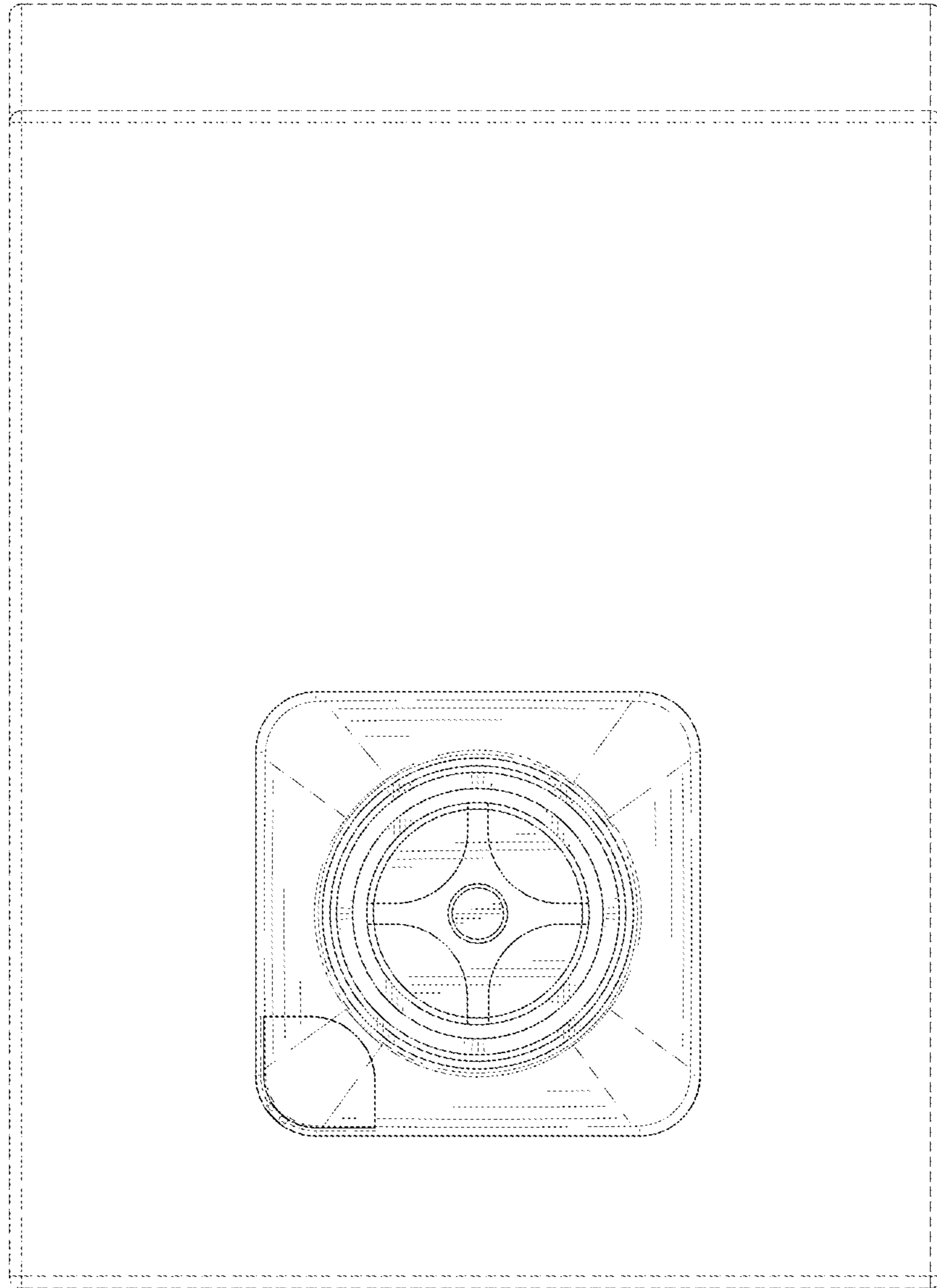


FIG. 7

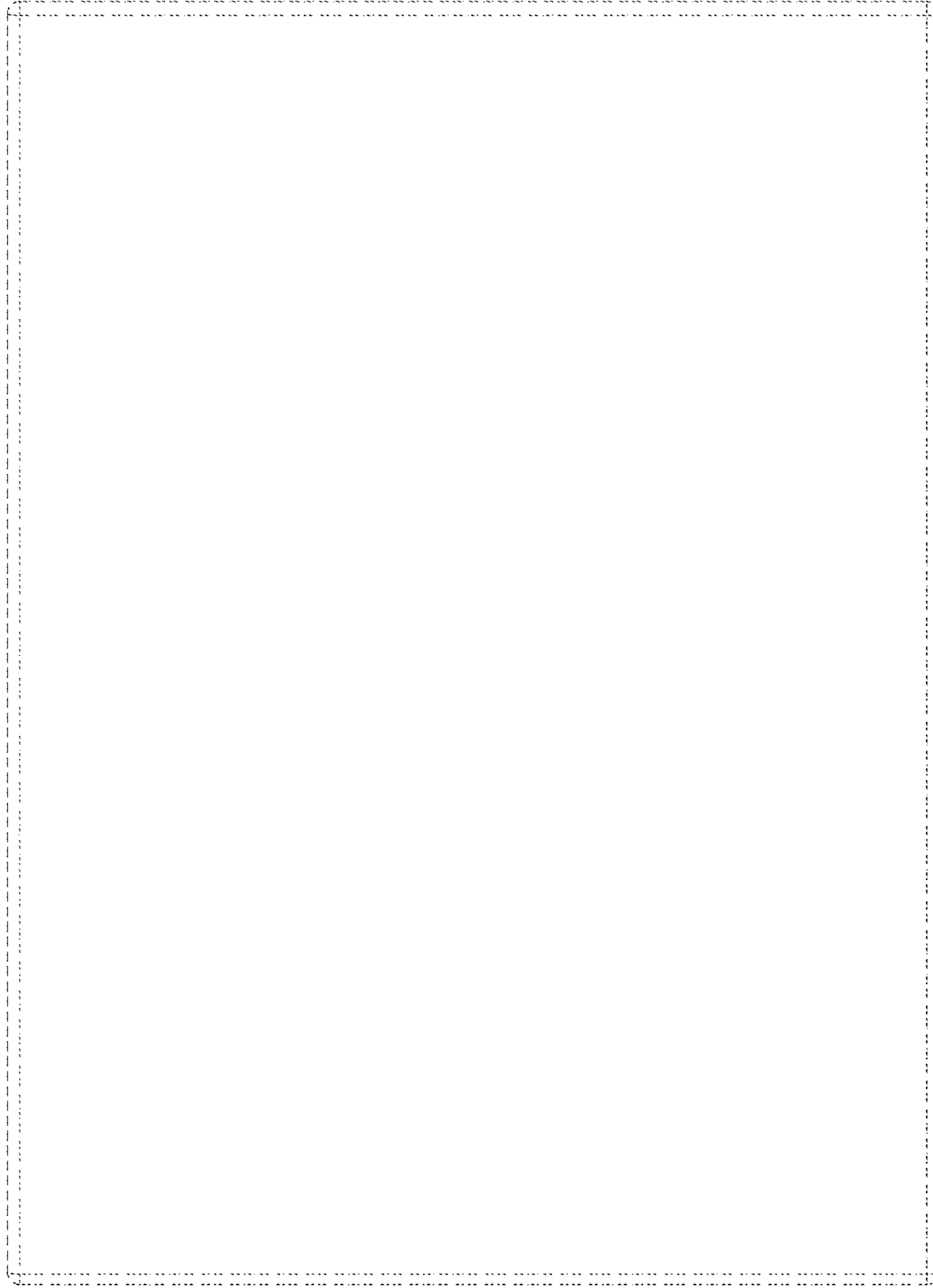


FIG. 8

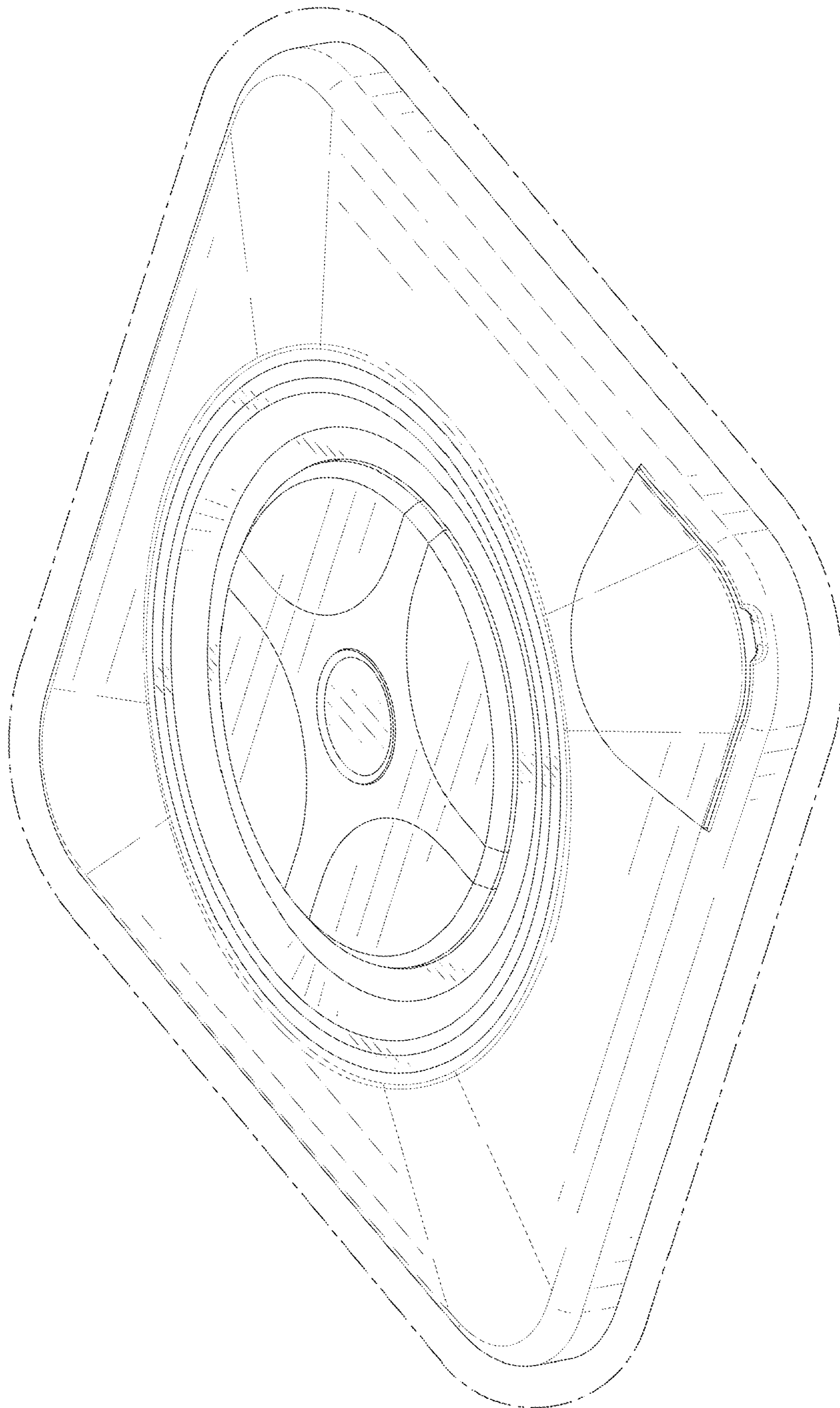


FIG. 9