



US00D948157S

(12) **United States Design Patent**
Loiseau et al.

(10) **Patent No.:** **US D948,157 S**
(45) **Date of Patent:** **** Apr. 5, 2022**

- (54) **PALLET ATTACHMENT**
- (71) Applicant: **CHEP Technology Pty Limited**,
Sydney (AU)
- (72) Inventors: **Christophe Loiseau**, Addlestone (GB);
Daniel Lopez Uran, Addlestone (GB);
Malcolm Cant, Addlestone (GB)
- (73) Assignee: **CHEP Technology Pty Limited**,
Sydney (AU)

D423,179	S *	4/2000	Horner	D34/38
D463,894	S *	10/2002	Ghafourian	D34/38
6,702,532	B1 *	3/2004	Throener	B60P 7/0892 410/121
9,067,521	B1 *	6/2015	Masanek, Jr.	B60P 7/0892
D738,809	S *	9/2015	Thom	D12/426
9,248,783	B2 *	2/2016	Thom	B60R 7/02
D794,420	S *	8/2017	Emmons	D8/349
D826,032	S *	8/2018	Feng	D8/356
D855,553	S *	8/2019	Chiang	D12/426
D870,409	S *	12/2019	Rosca	D34/23
D872,679	S *	1/2020	MacAvoy	D12/223

(Continued)

(**) Term: **15 Years**

FOREIGN PATENT DOCUMENTS

(21) Appl. No.: **29/695,551**

DE	29612792	9/1996
DE	19716365	10/1997

(22) Filed: **Jun. 20, 2019**

(Continued)

(30) **Foreign Application Priority Data**

Dec. 20, 2018 (EM) 005940830-0001

(51) **LOC (13) Cl.** **09-08**

(52) **U.S. Cl.**
USPC **D34/38**

(58) **Field of Classification Search**
USPC D34/38; D8/349, 354, 356; D12/223,
D12/426
CPC B60P 7/135; B60P 7/0892; B60P 7/02;
B60R 11/00; B65D 11/22
See application file for complete search history.

Primary Examiner — Cynthia Ramirez
(74) *Attorney, Agent, or Firm* — Allen, Dyer, Doppelt +
Gilchrist, PA

(57) **CLAIM**

The ornamental design for a pallet attachment, as shown and described.

DESCRIPTION

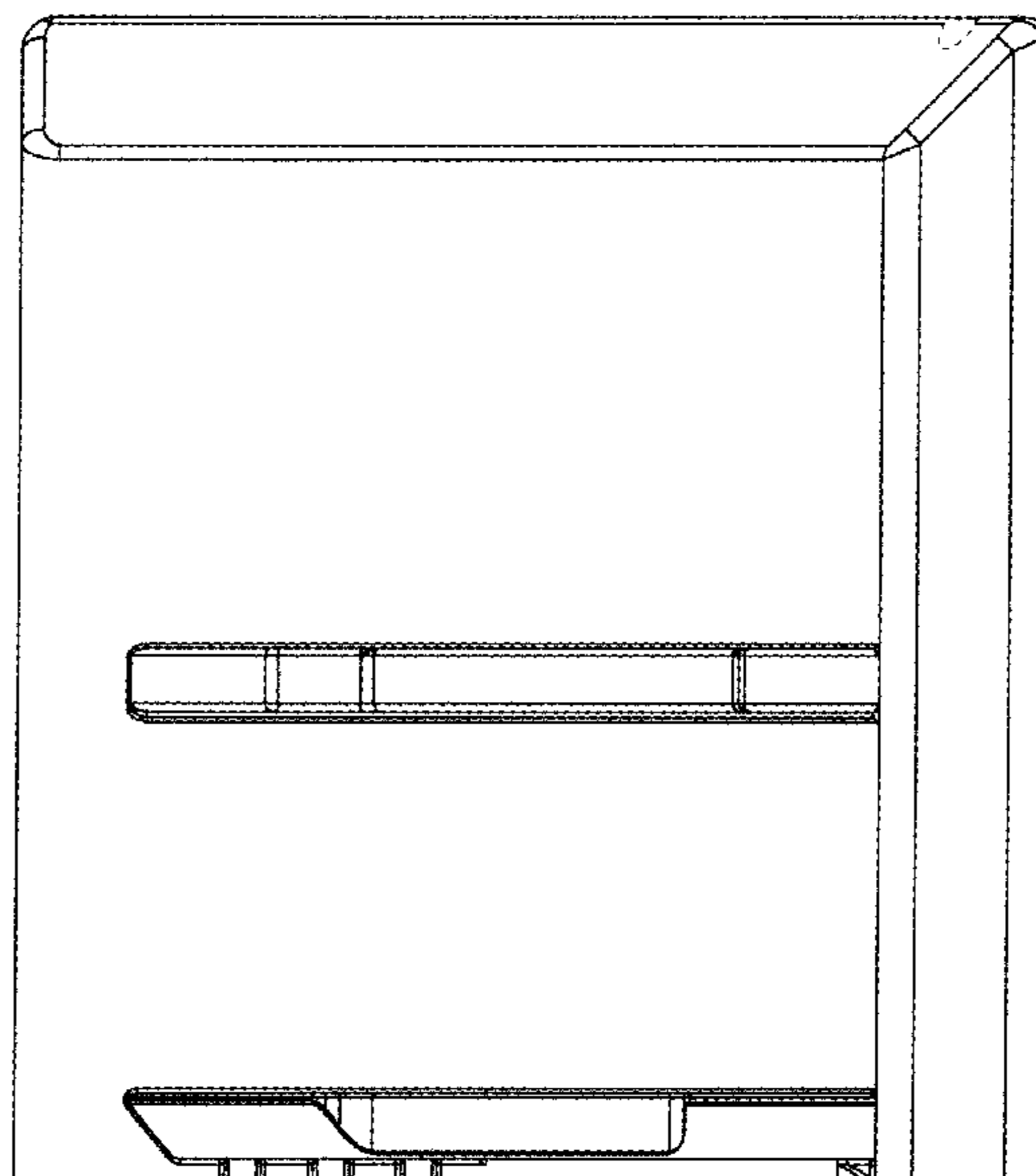
FIG. 1 is a back view for a pallet attachment showing our new design;
FIG. 2 is a bottom view thereof;
FIG. 3 is a front view thereof;
FIG. 4 is a left-side view thereof;
FIG. 5 is a perspective bottom back view thereof;
FIG. 6 is a right-side view thereof;
FIG. 7 is a top view thereof; and,
FIG. 8 is a perspective bottom front view thereof;
The broken lines in the drawings show portions of the pallet attachment, which form no part of the claimed design.

(56) **References Cited**

U.S. PATENT DOCUMENTS

3,699,900	A *	10/1972	Carlson	B65D 21/0234 108/53.1
3,994,241	A	11/1976	Evans		
4,842,460	A *	6/1989	Schlesch	B60R 7/02 410/121
5,655,863	A *	8/1997	Mundt	B60P 7/0892 296/39.2
5,918,551	A	7/1999	Liu		

1 Claim, 8 Drawing Sheets



(56)

References Cited

U.S. PATENT DOCUMENTS

10,814,774 B2 * 10/2020 Millett B60P 7/0892
 2009/0080993 A1 * 3/2009 Burgess B65D 90/006
 410/94
 2009/0090280 A1 4/2009 Mills
 2016/0264292 A1 9/2016 Schoening
 2016/0368702 A1 12/2016 O'Neil et al.
 2017/0203874 A1 7/2017 Dimer
 2017/0349085 A1 * 12/2017 Preston B60P 7/0892
 2019/0329714 A1 * 10/2019 Masanek, Jr. B60P 7/135

FOREIGN PATENT DOCUMENTS

DE 19715840 11/1997
 DE 19646608 5/1998
 DE 19646638 5/1998
 DE 19646884 5/1998
 DE 29703438 8/1998
 DE 102011003999 8/2012
 DE 102012000242 7/2013
 DE 202016100228 2/2016
 DE 102015012163 7/2017
 DE 202018102877 7/2018
 DE 202007014965 2/2020
 EM 000115241-0001 12/2003
 EM 000347232-0001 5/2005
 EM 000730098-0001 5/2007
 EM 000889563-0001 2/2008
 EM 000929351-0001 5/2008
 EM 001088371-0001 2/2009
 EM 001506346-0001 7/2009
 EM 001506346-0002 7/2009
 EM 001685629-0001 3/2010
 EM 001806688-0001 1/2011
 EM 001808965-0019 1/2011
 EM 001808965-0020 1/2011
 EM 001808965-0021 1/2011
 EM 001808965-0022 2/2011
 EM 002962951-0001 1/2016
 EM 002962951-0002 1/2016
 EM 002962951-0003 1/2016
 EM 002962951-0004 1/2016
 EM 002962951-0005 1/2016
 EM 004734218-0001 1/2018
 EM 005241239-0001 4/2018
 EM 005241239-0002 4/2018
 EM 005241239-0003 4/2018

EM 005241239-0004 4/2018
 EM 005241239-0006 4/2018
 EP 0841254 5/1998
 EP 1561778 8/2005
 EP 1739023 1/2007
 EP 1813542 8/2007
 EP 1813543 8/2007
 EP 2487117 8/2012
 EP 2501622 9/2012
 EP 2878548 6/2015
 EP 2878549 6/2015
 EP 2878550 6/2015
 EP 3353088 8/2018
 EP 3400181 11/2018
 EP 3408185 12/2018
 ES 2152767 2/2001
 FR 2747645 10/1997
 FR 2896183 7/2007
 FR 2896482 7/2007
 FR 2896483 7/2007
 GB 1274135 5/1972
 GB 1437496 5/1976
 GB 2032297 5/1980
 GB 2034374 6/1980
 GB 2074409 10/1981
 GB 2078170 1/1982
 GB 2312415 10/1997
 GB 4035869 5/2014
 GB 2555642 5/2018
 IT 1296276 10/1998
 KR 20060091083 8/2006
 LU 90303 11/1998
 NL 1005834 10/1967
 SE 9701455 10/1997
 WO WO9739956 10/1997
 WO WO2006025854 3/2006
 WO WO2008025100 3/2008
 WO WO2008/054219 5/2008
 WO WO11058489 5/2011
 WO WO DM077509-1 12/2011
 WO WO DM077509-2 12/2011
 WO WO2012/062381 5/2012
 WO WO2016/149119 9/2016
 WO WO17050420 3/2017
 WO WO17118599 7/2017
 WO WO2017/130167 8/2017
 WO WO2017181224 10/2017
 WO WODM102669-1 8/2018
 WO WO DM083493-1 4/2019

* cited by examiner

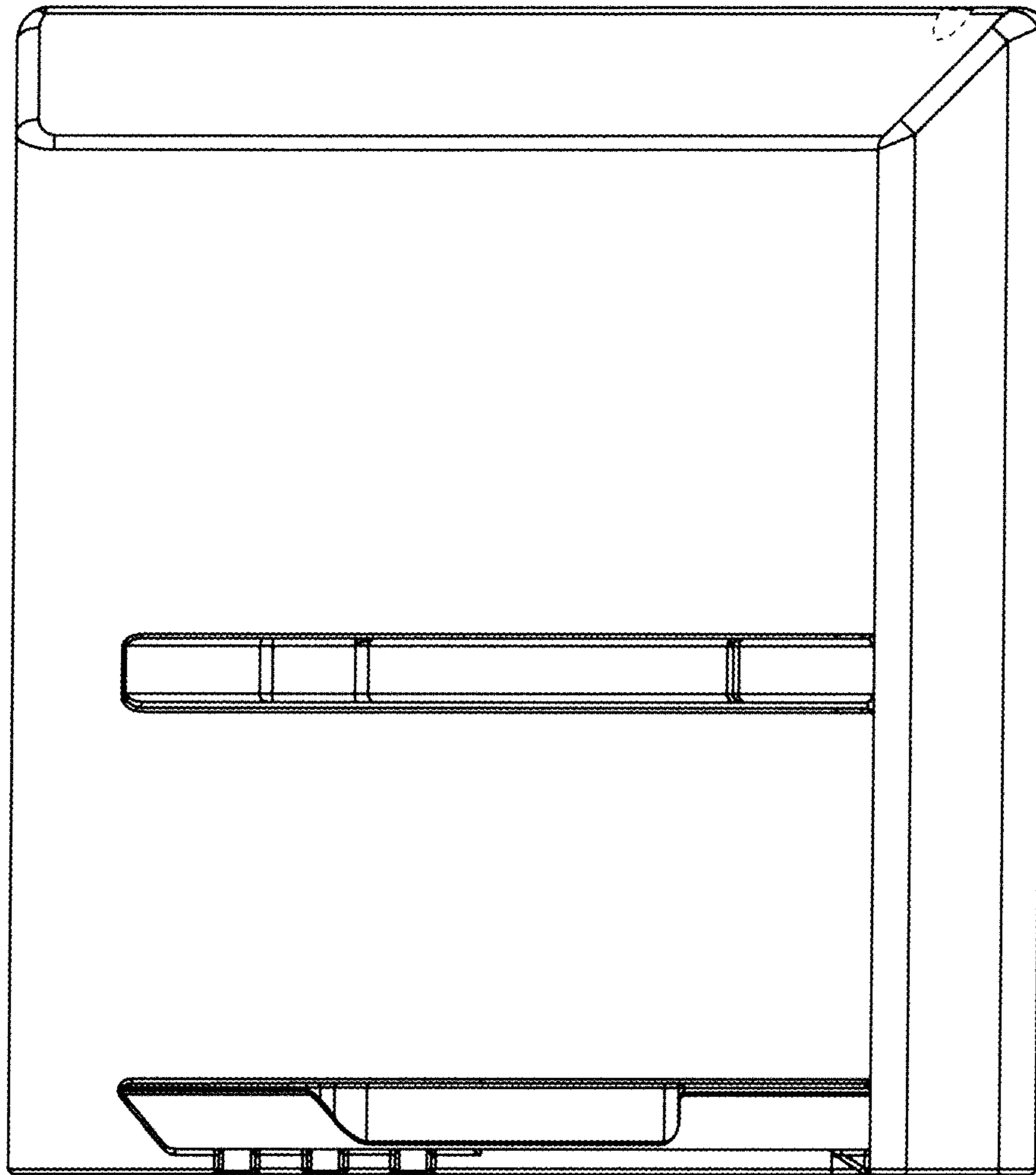


FIG. 1

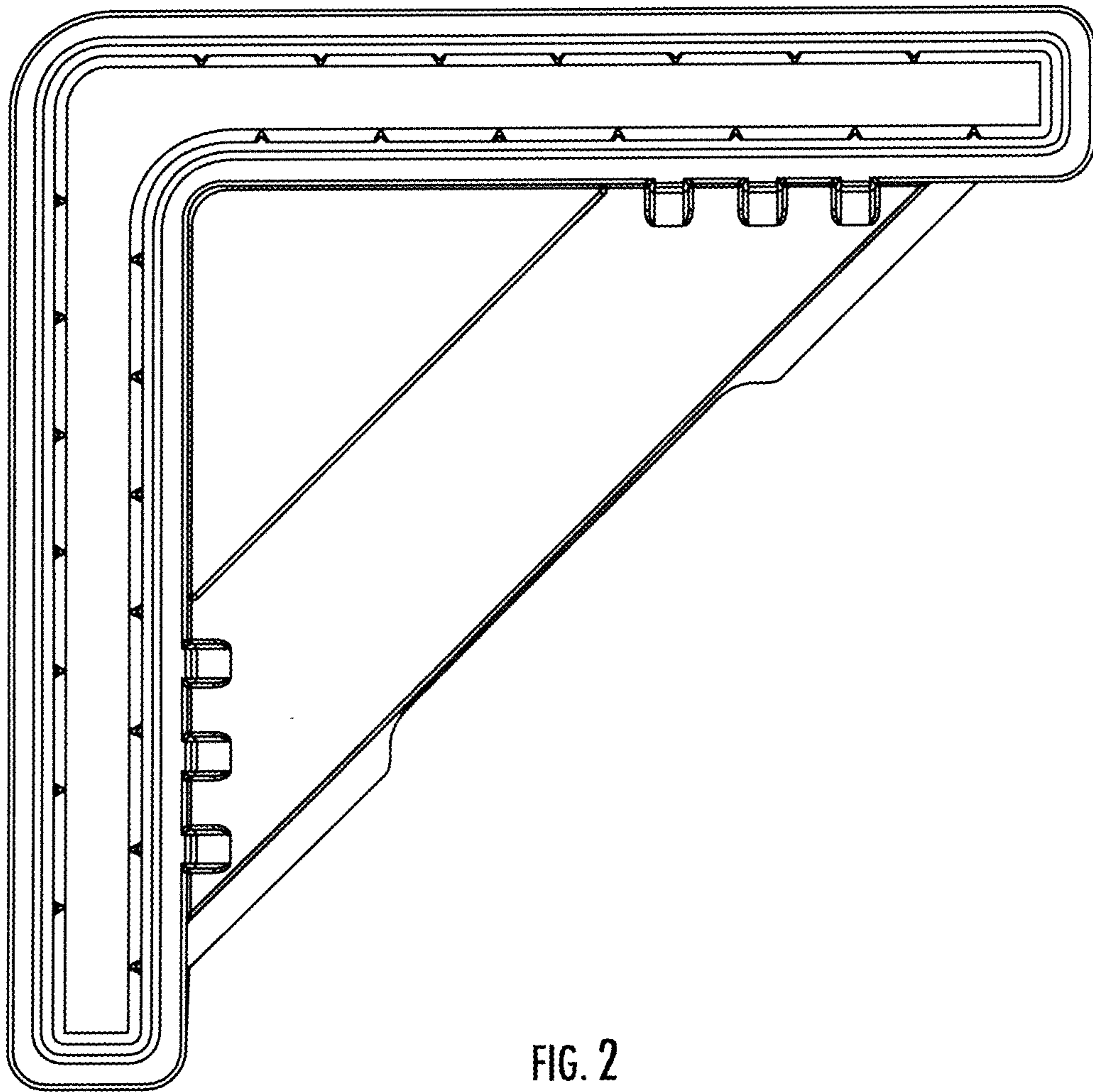


FIG. 2

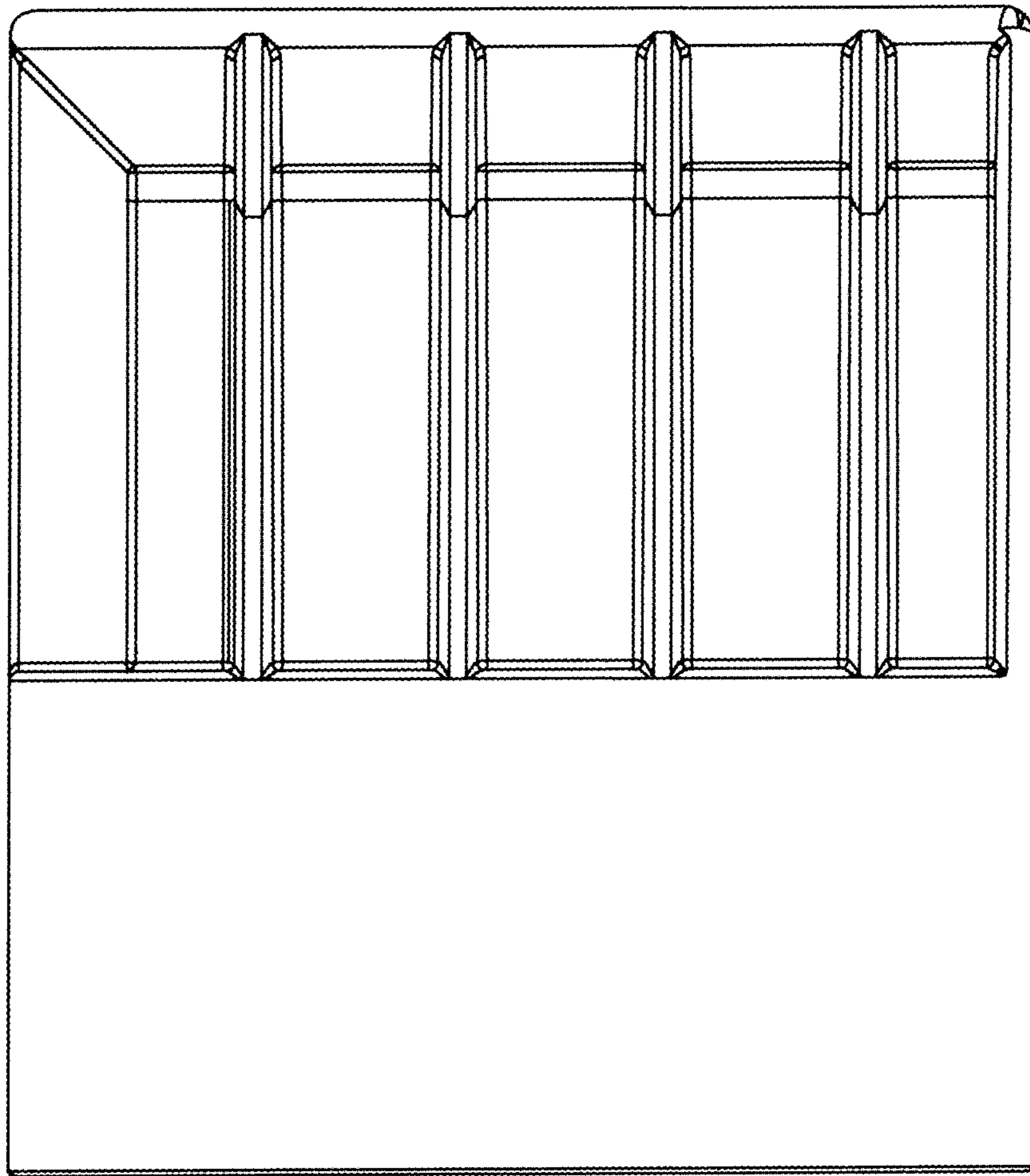


FIG. 3

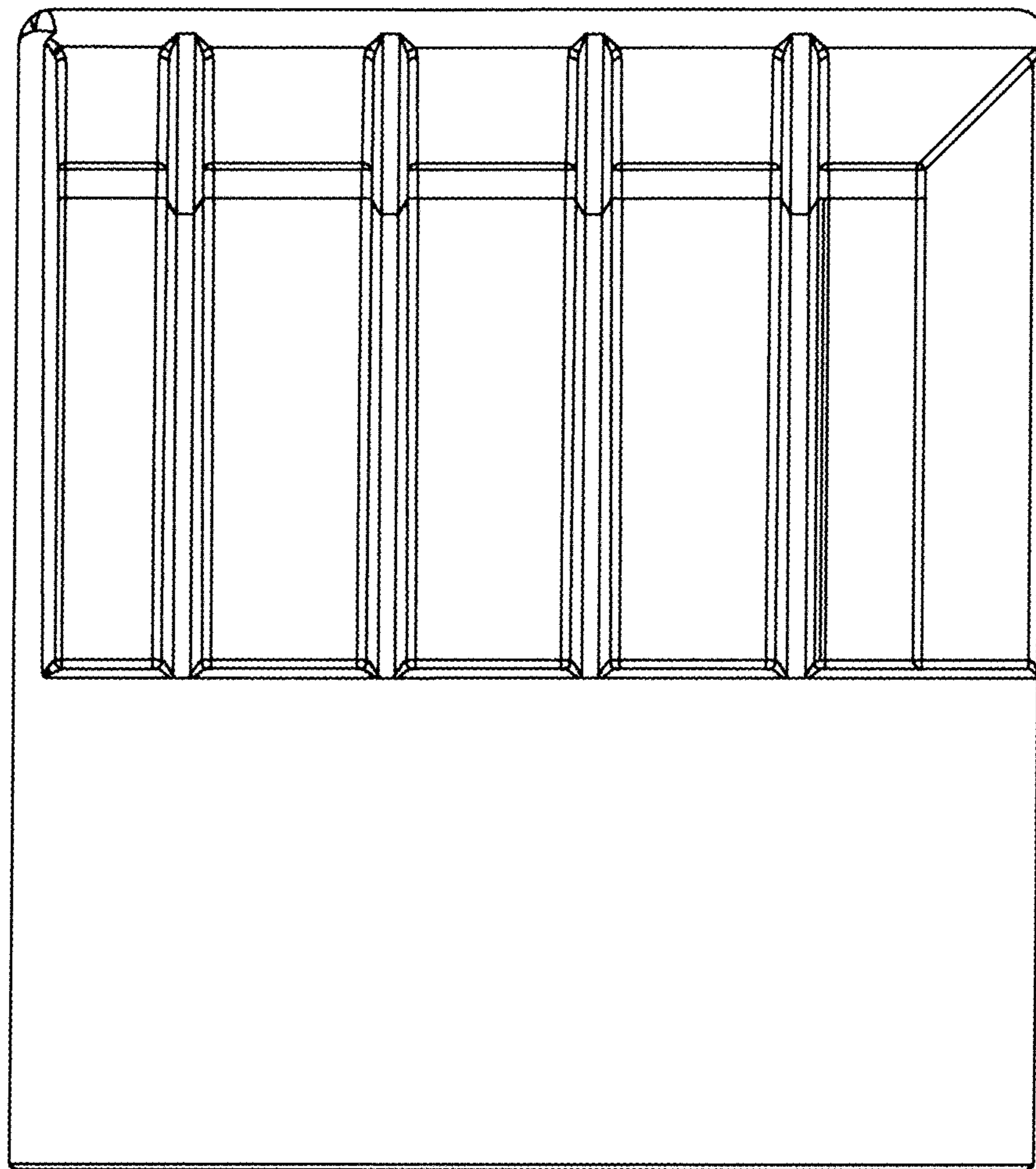


FIG. 4

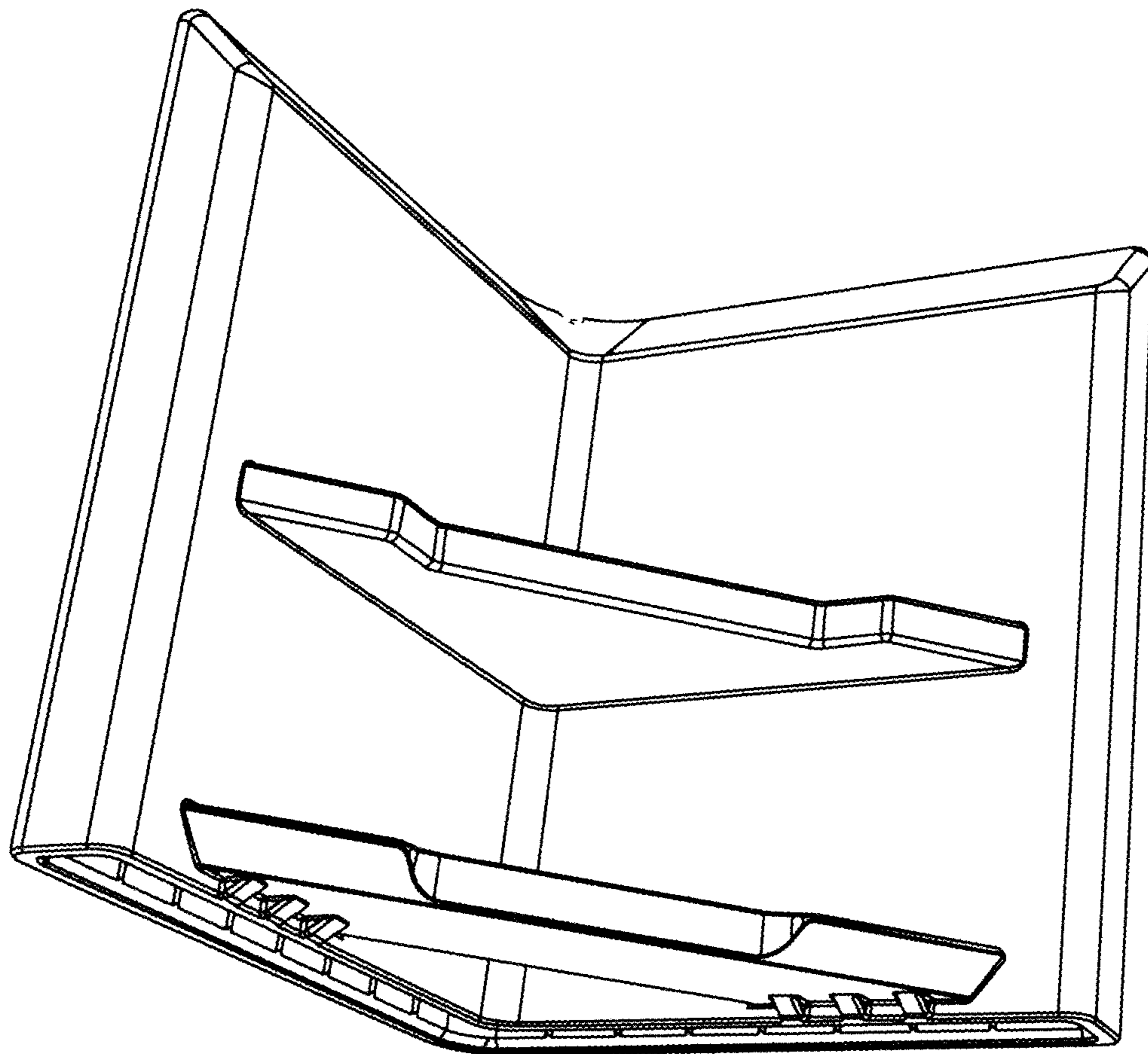


FIG. 5

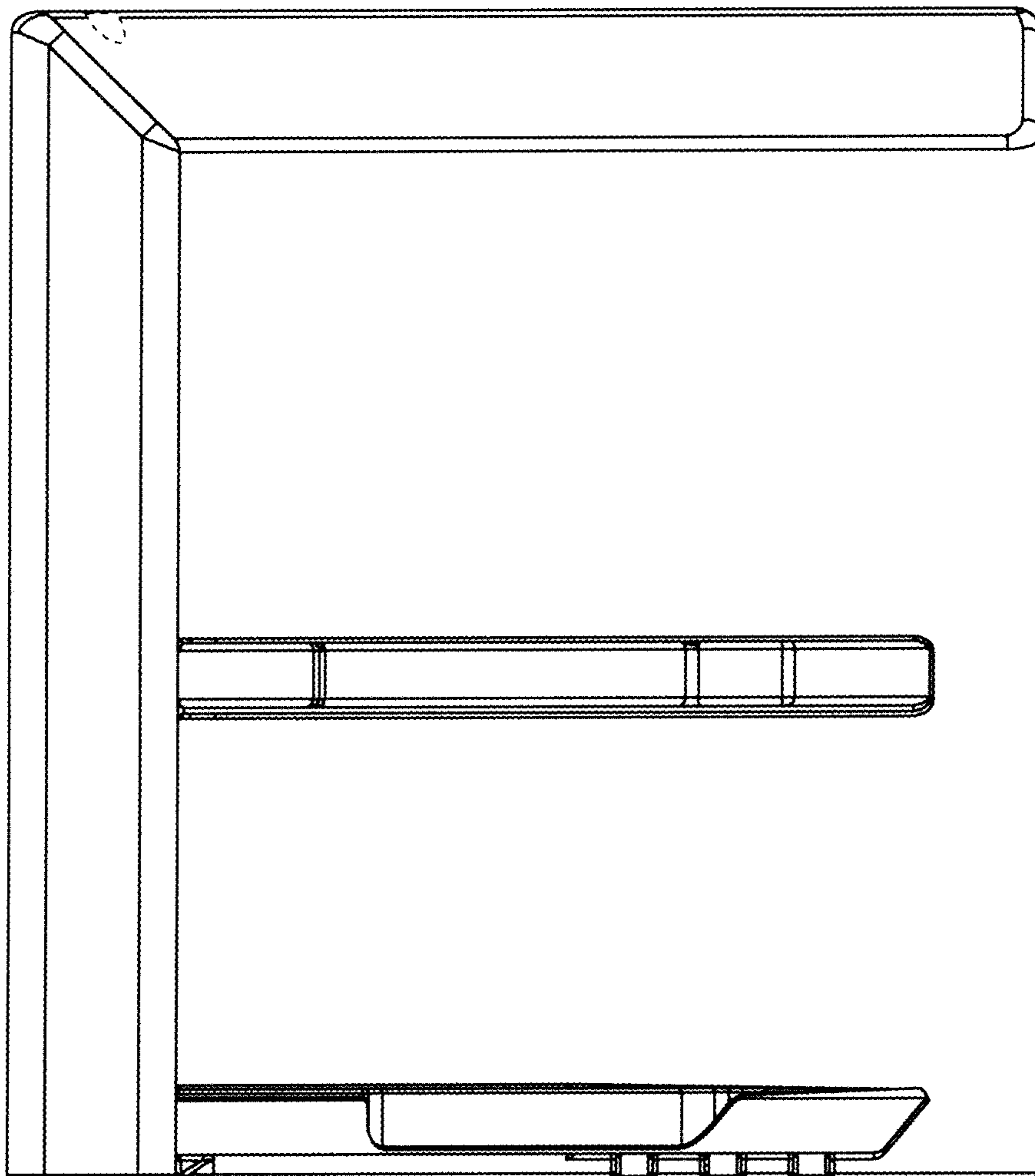


FIG. 6

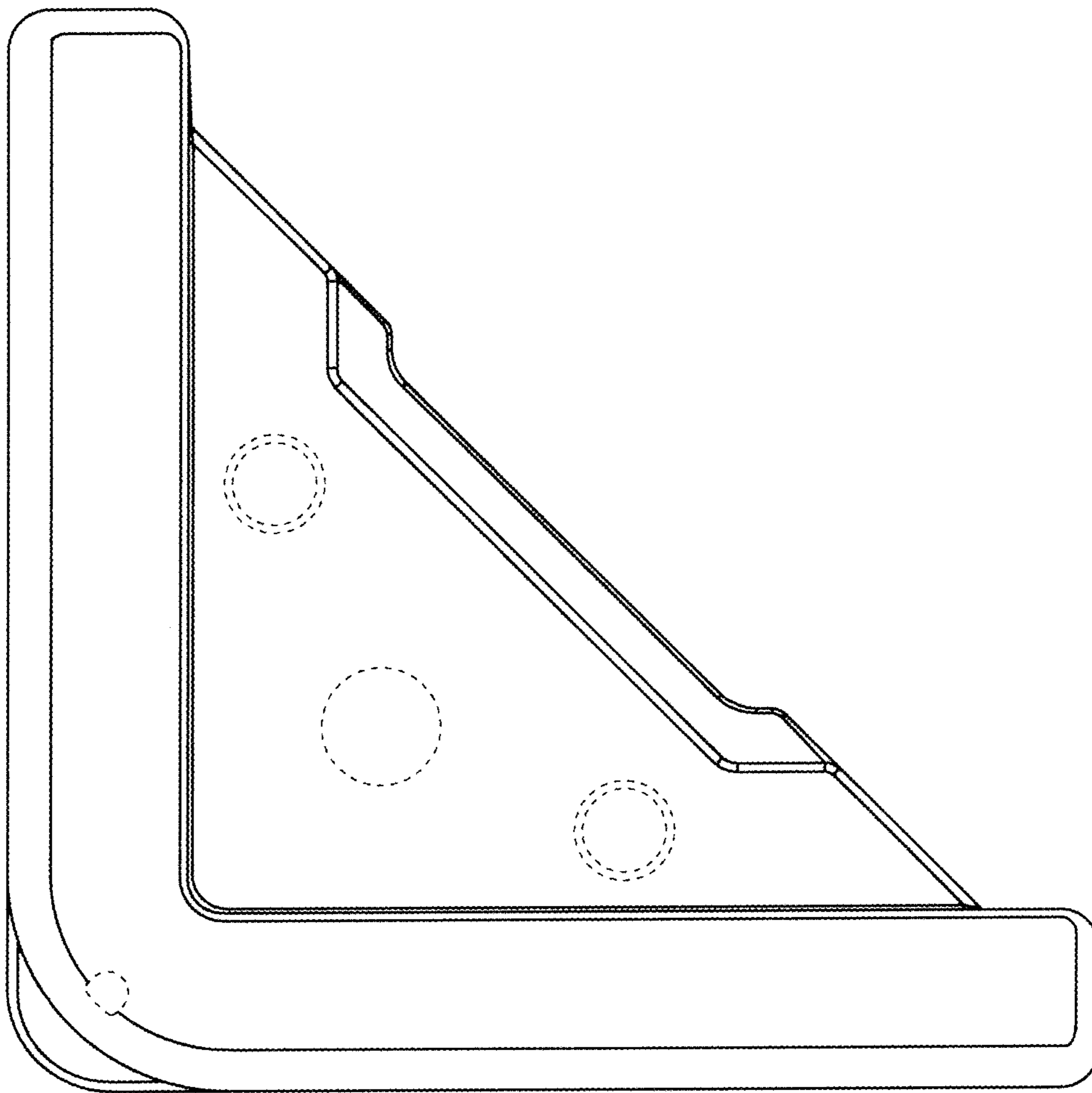


FIG. 7

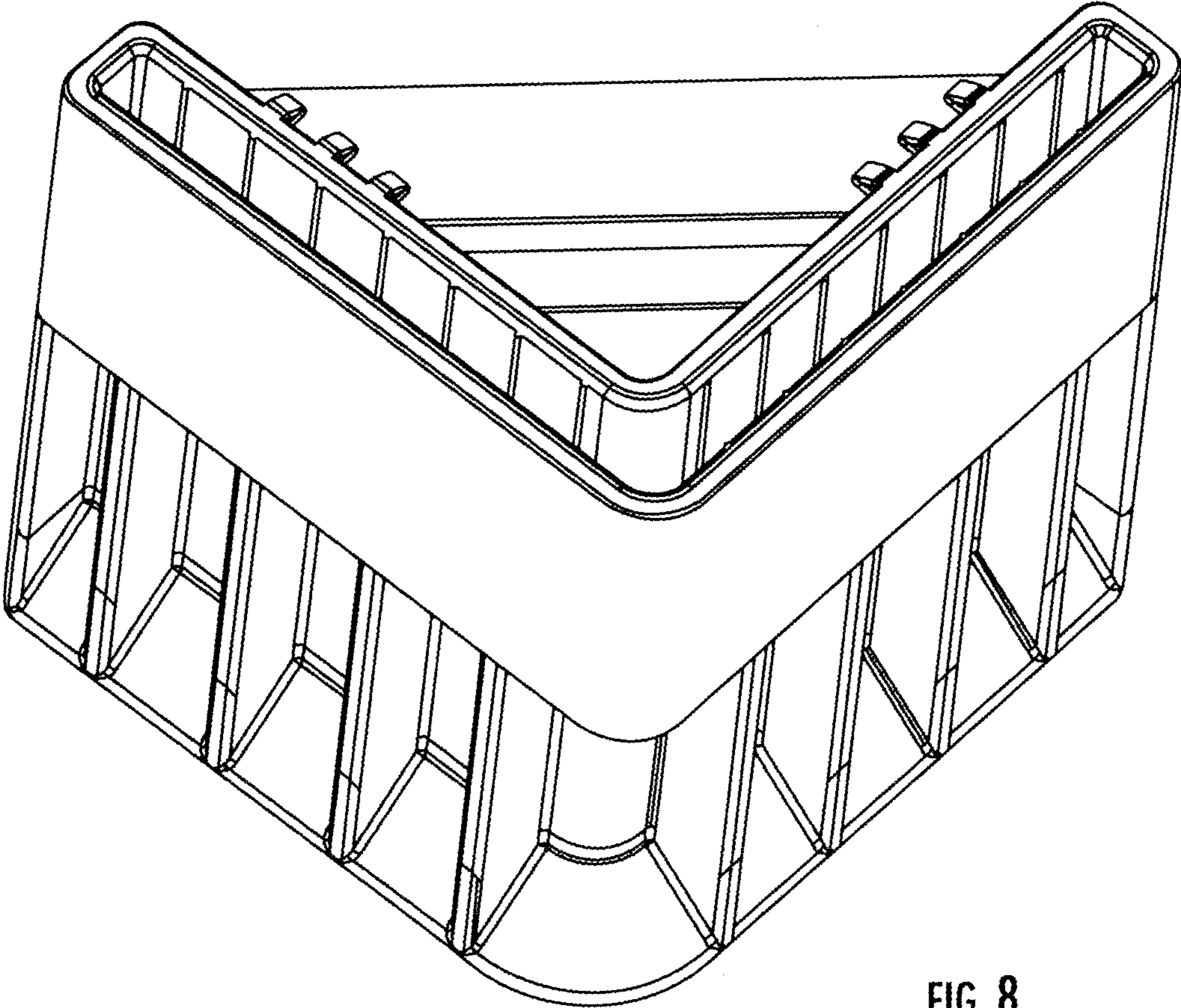


FIG. 8