



US00D948153S

(12) **United States Design Patent** (10) **Patent No.:** **US D948,153 S**
Ye (45) **Date of Patent:** **** Apr. 5, 2022**

(54) **HEAT CONTROL DISPLAY ON HANDLE**

(56) **References Cited**

(71) Applicant: **Hamilton Beach Brands, Inc.**, Glen Allen, VA (US)

U.S. PATENT DOCUMENTS

(72) Inventor: **Guoyao Ye**, Glen Allen, VA (US)

D568,020	S	*	4/2008	Poon	D32/70
D632,862	S	*	2/2011	Massip	D32/70
D635,316	S	*	3/2011	Massip	D32/70
D659,929	S	*	5/2012	Yan	D32/70
D668,013	S	*	9/2012	Rohmer	D32/71
D707,006	S	*	6/2014	Esteve	D32/70
D712,108	S	*	8/2014	Nho	D32/70
D762,935	S	*	8/2016	Dadon	D32/70

(73) Assignee: **Hamilton Beach Brands, Inc.**, Glen Allen, VA (US)

(**) Term: **15 Years**

* cited by examiner

(21) Appl. No.: **29/800,664**

Primary Examiner — Austin Murphy

(22) Filed: **Jul. 22, 2021**

(74) *Attorney, Agent, or Firm* — Alexander D. Raring

Related U.S. Application Data

(60) Division of application No. 29/707,312, filed on Sep. 27, 2019, now abandoned, which is a continuation-in-part of application No. 29/704,490, filed on Sep. 5, 2019, now Pat. No. Des. 905,923.

(57) **CLAIM**

I claim the ornamental design for a heat control display on handle, as shown and described.

(51) **LOC (13) Cl.** **07-05**

DESCRIPTION

(52) **U.S. Cl.**

USPC **D32/71**

(58) **Field of Classification Search**

USPC D32/70, 71, 73, 72, 69, 68, 35; D8/71, D8/373, 349, 396, 30; D15/144, 144.2; D28/73; 219/231, 242, 229; 165/80.1; 126/414

FIG. 1 is a perspective view of an iron from the front, top and right sides, showing the new design.

FIG. 2 is a right side view thereof.

FIG. 3 is a left side view thereof.

FIG. 4 is a front view thereof.

FIG. 5 is a rear view thereof.

FIG. 6 is a top view thereof; and,

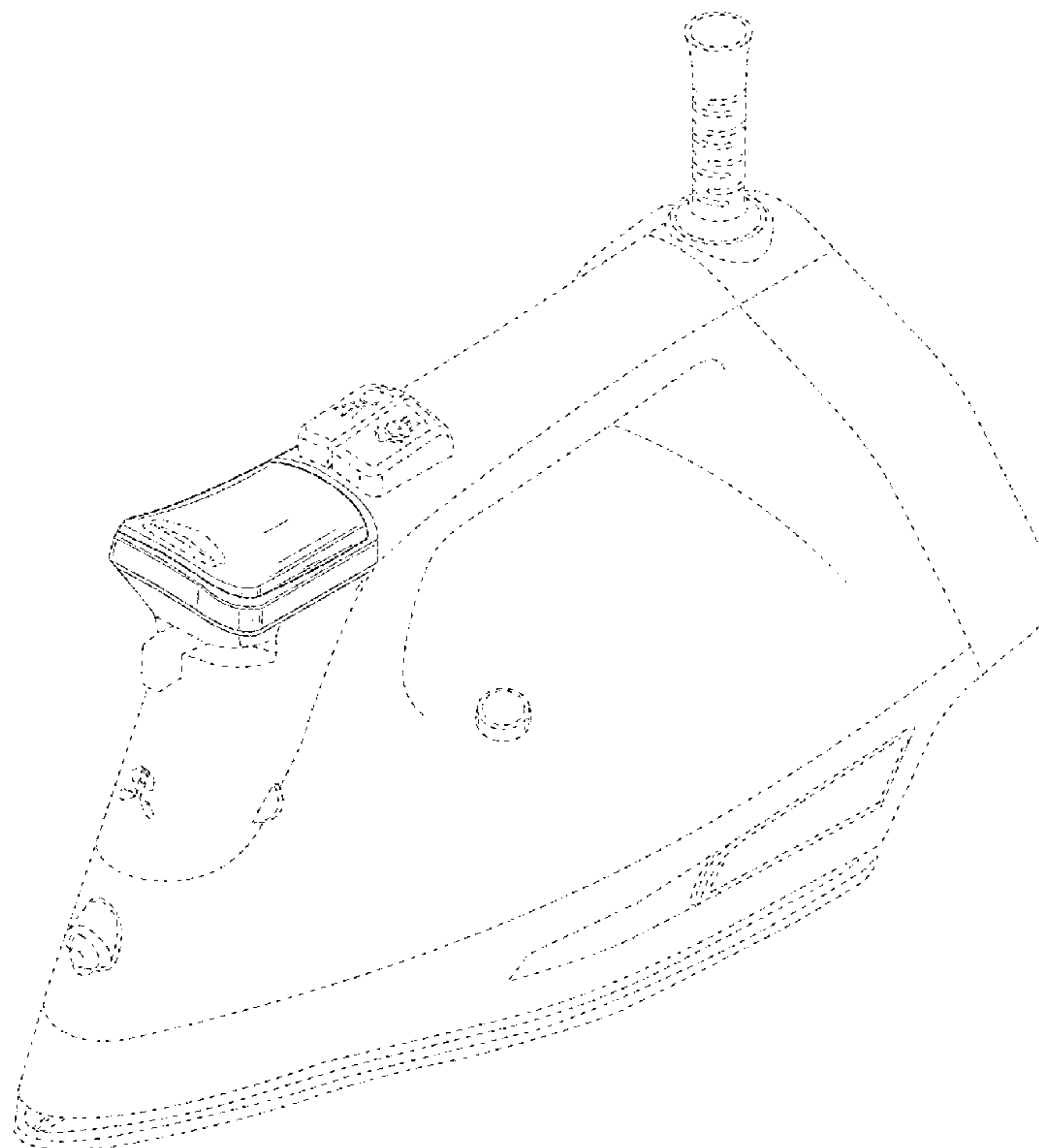
FIG. 7 is a bottom view thereof.

In the drawings, the broken lines shown in the figures depict unclaimed subject matter and form no part of the claimed design.

CPC D06F 75/34; D06F 75/08; D06F 75/38; D06F 75/00; F22B 27/14; B08B 3/006

See application file for complete search history.

1 Claim, 7 Drawing Sheets



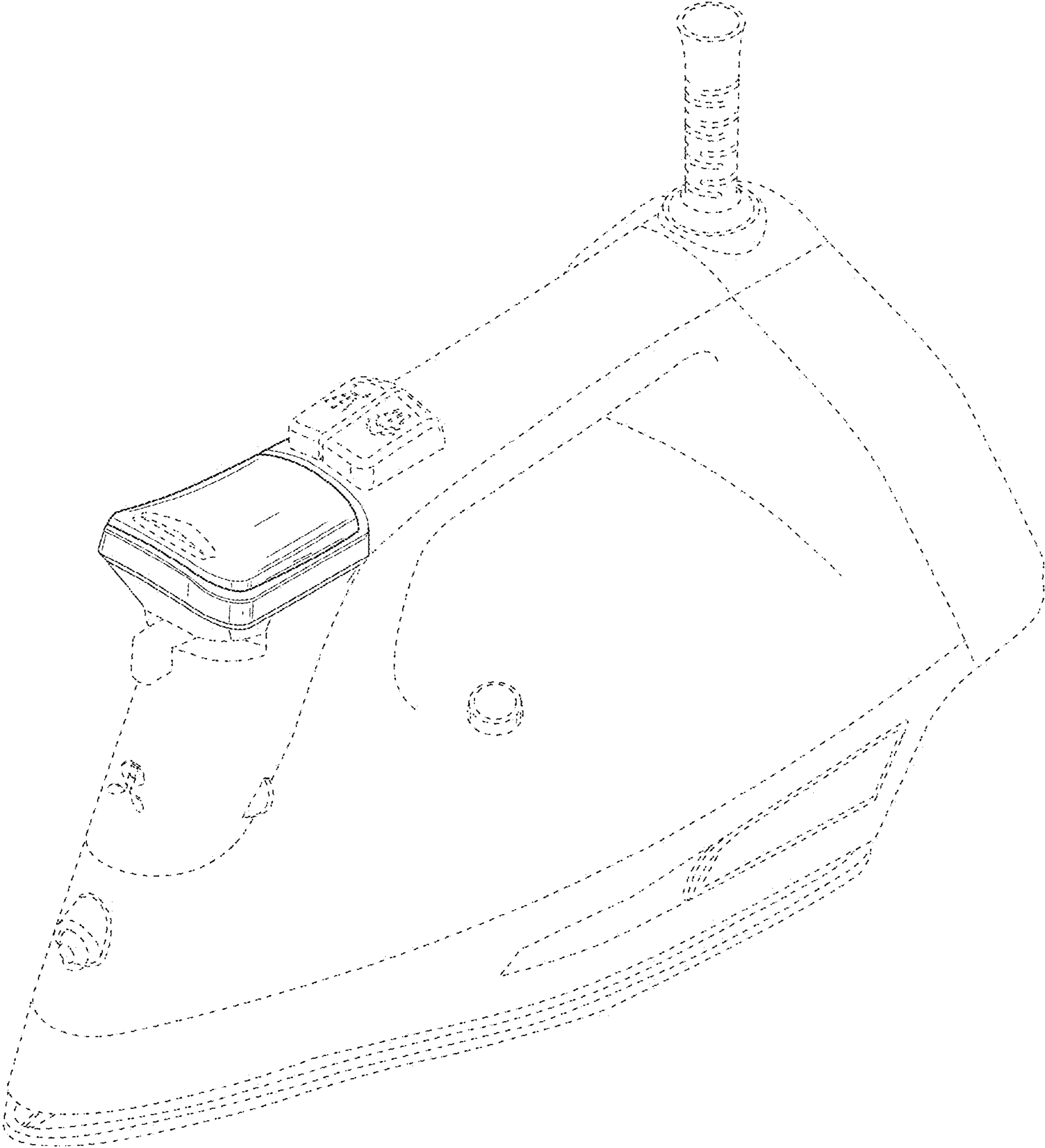


FIG. 1

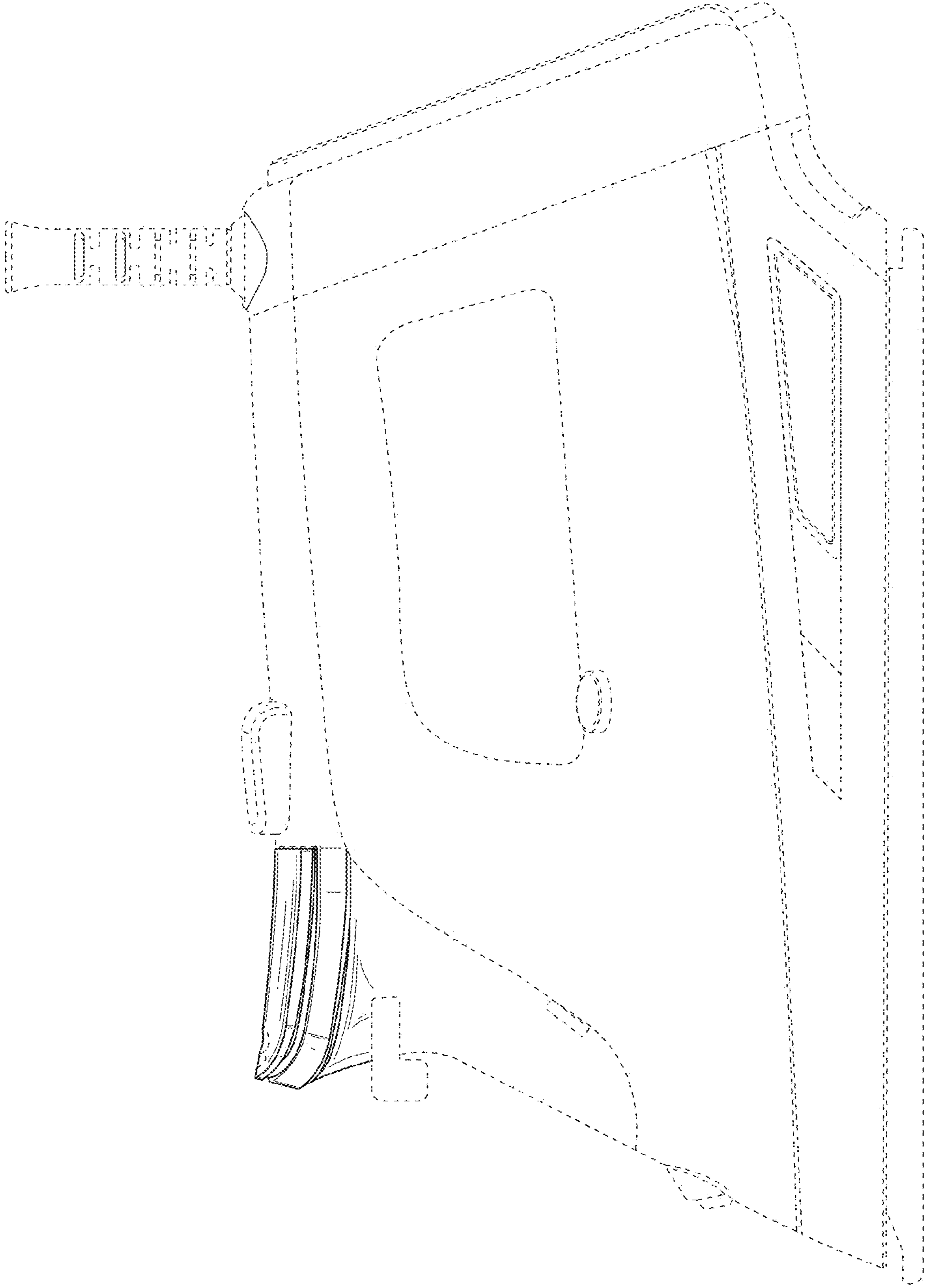


FIG. 2

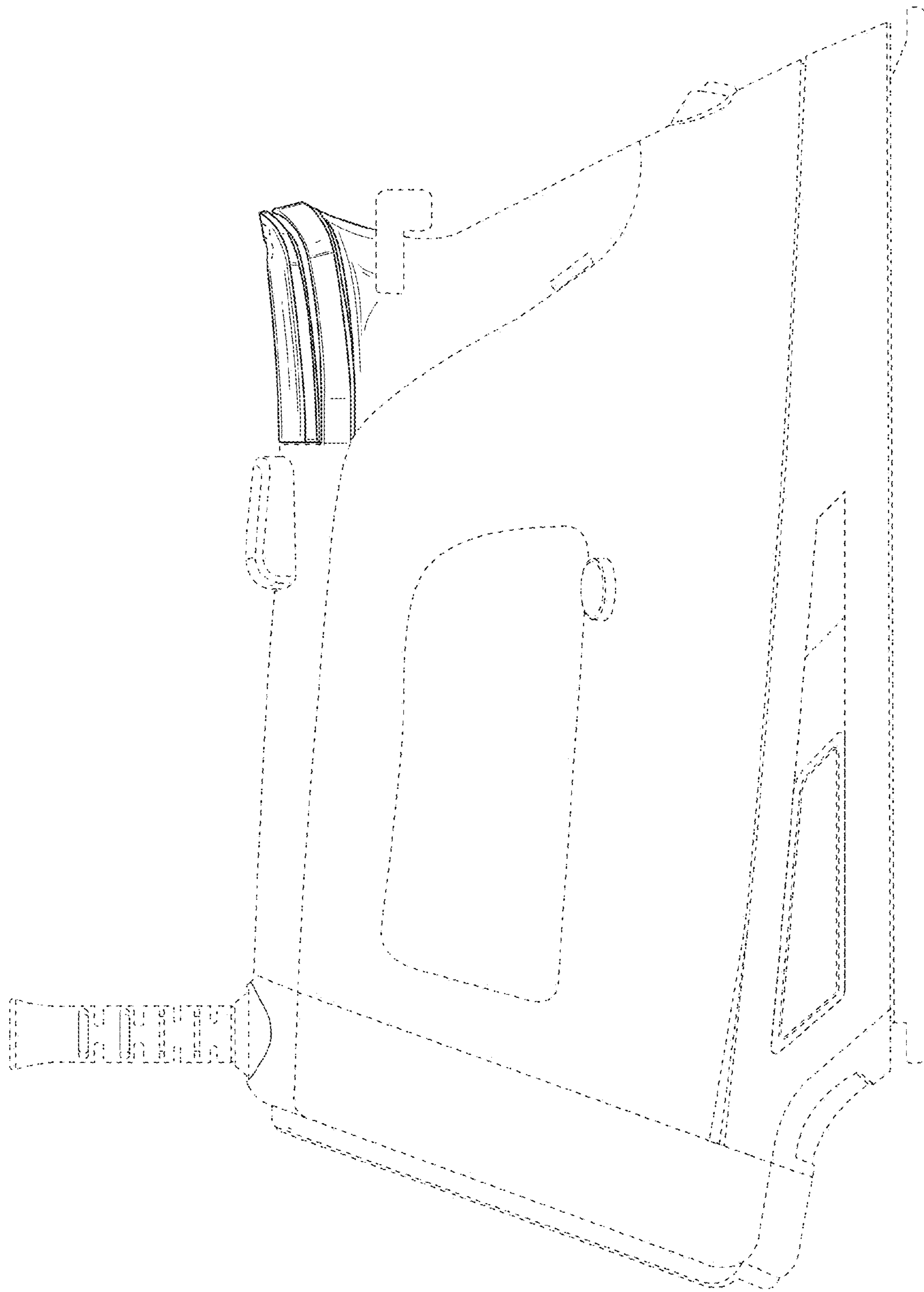


FIG. 3

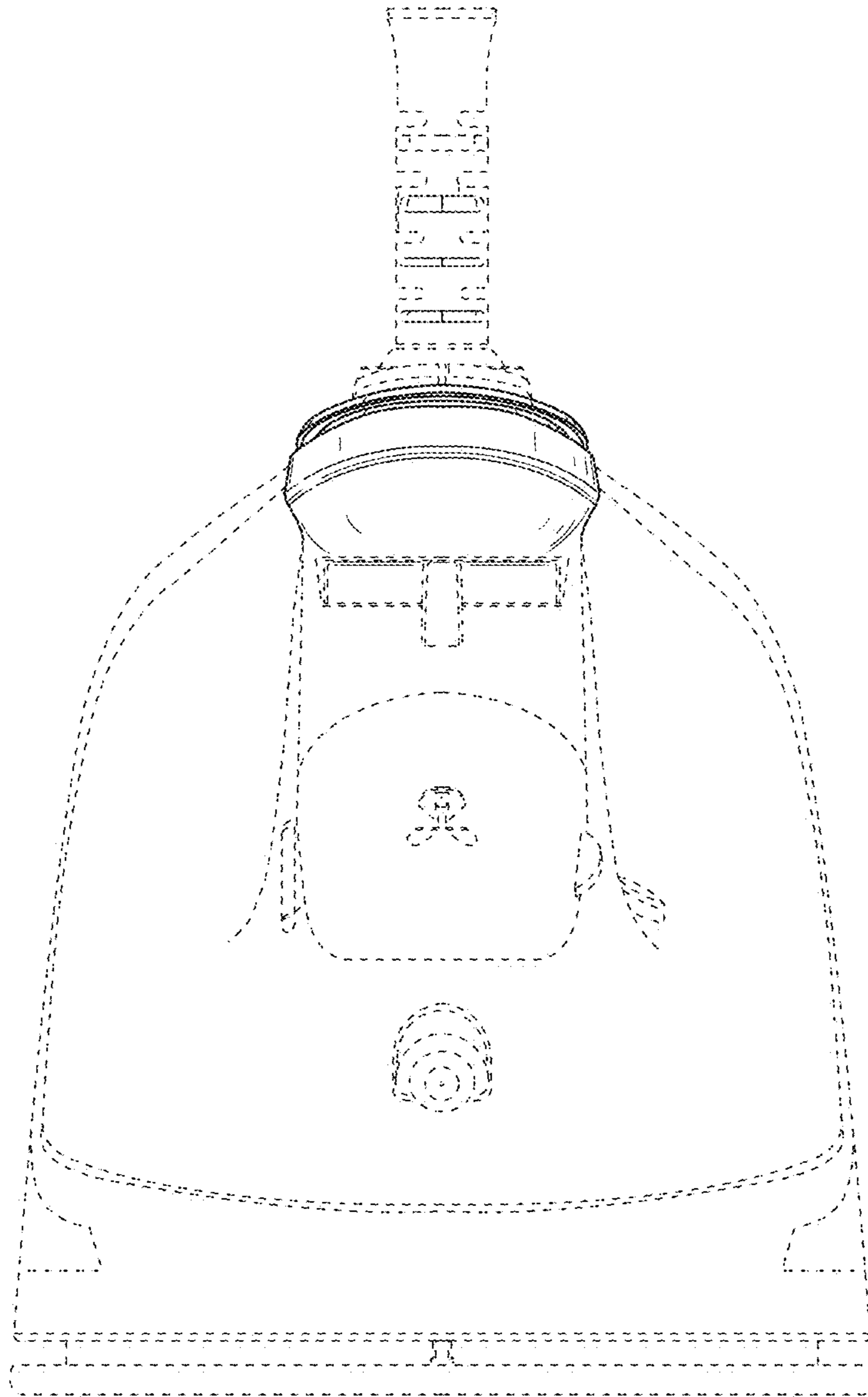


FIG. 4

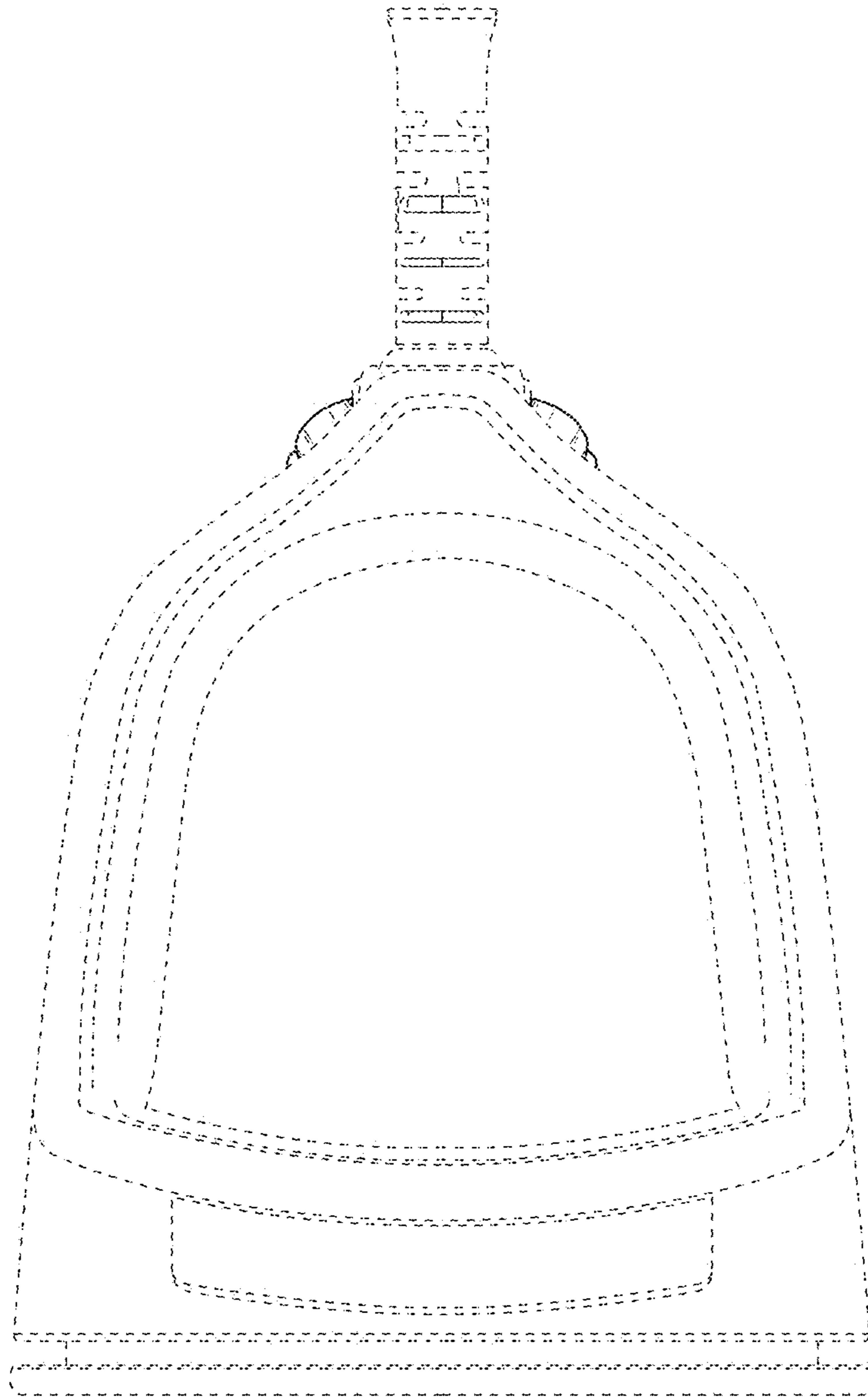


FIG. 5

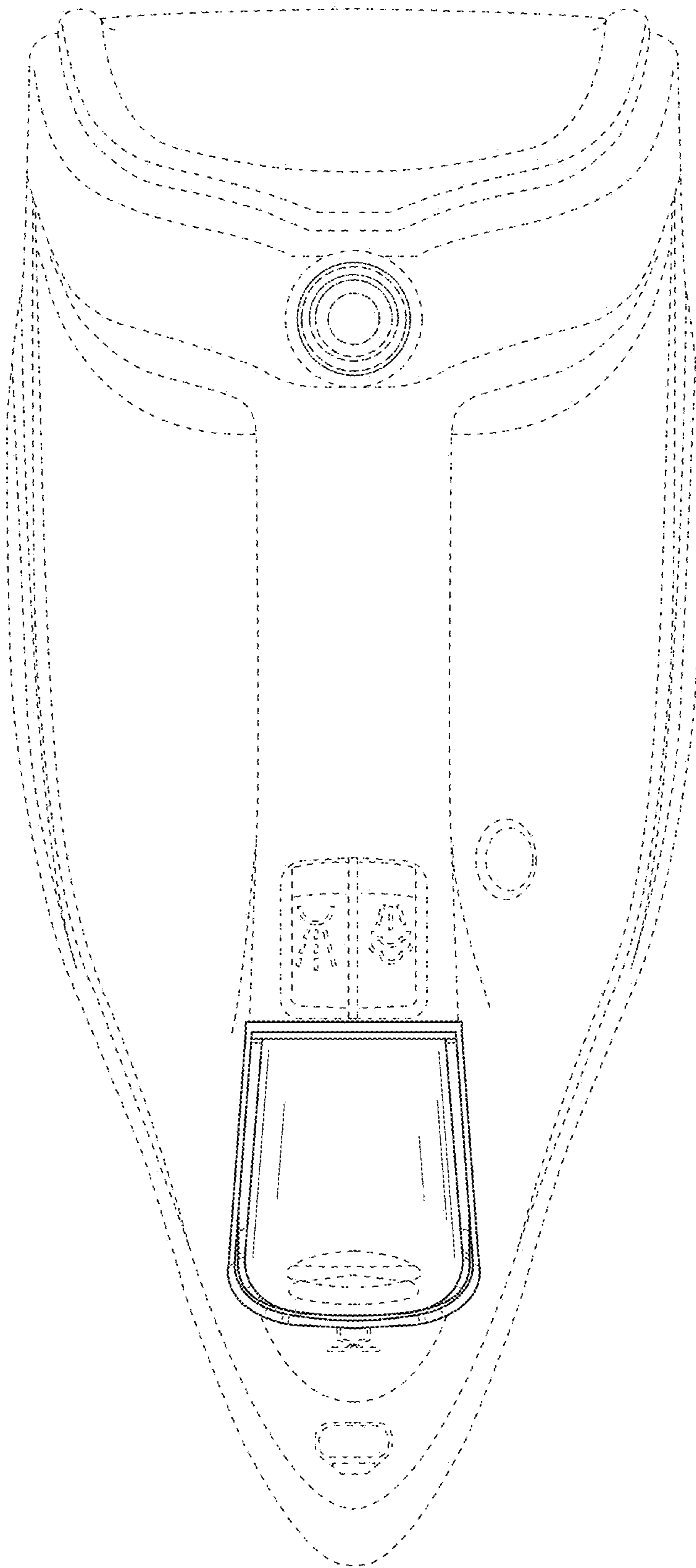


FIG. 6

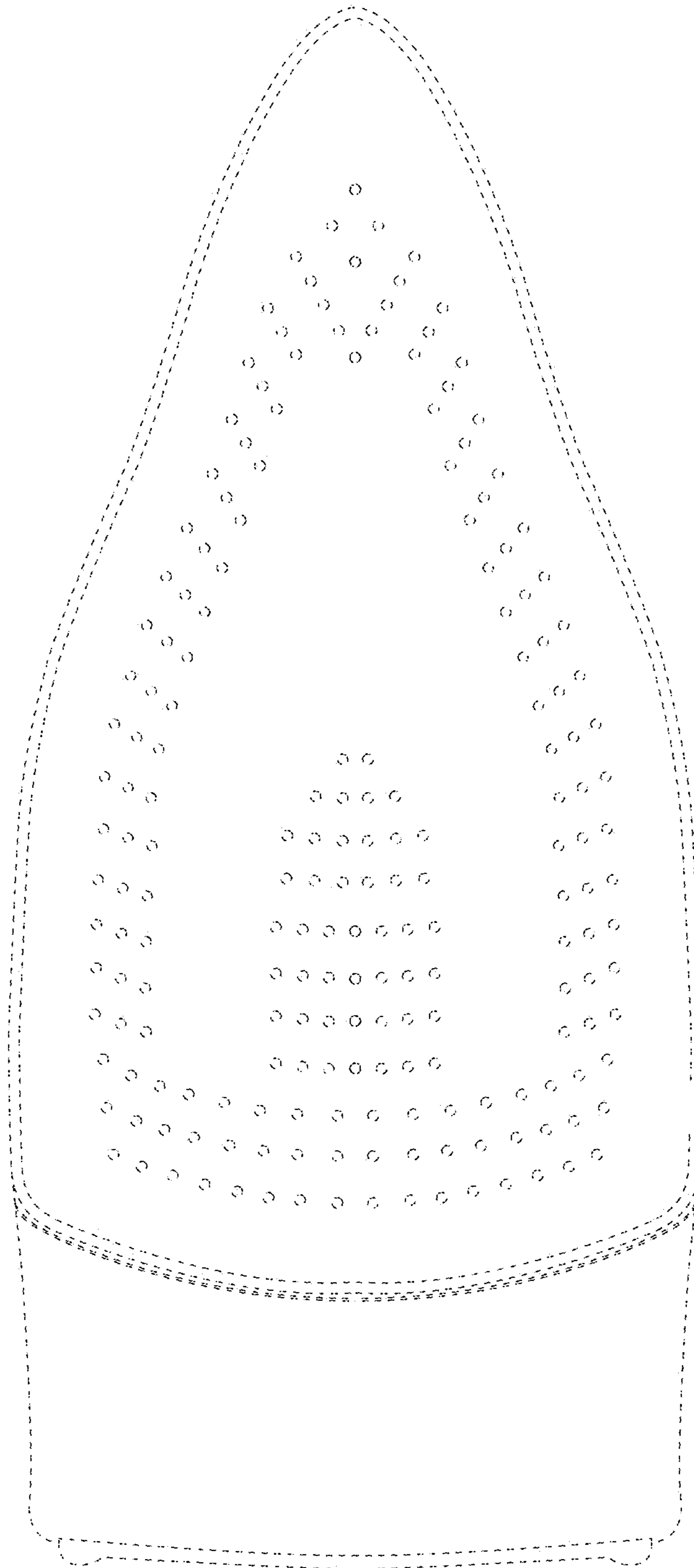


FIG. 7