



US00D948152S

(12) **United States Design Patent**  
**Pei**

(10) **Patent No.:** **US D948,152 S**

(45) **Date of Patent:** **\*\* Apr. 5, 2022**

(54) **CLEANING PLATE FOR AN ELECTRIC MOP**

(71) Applicant: **Cunzhu Pei**, Bengbu (CN)

(72) Inventor: **Cunzhu Pei**, Bengbu (CN)

(\*\*) Term: **15 Years**

(21) Appl. No.: **29/744,171**

(22) Filed: **Jul. 27, 2020**

(30) **Foreign Application Priority Data**

Mar. 18, 2020 (CN) ..... 202030090760.2

(51) **LOC (13) Cl.** ..... **07-05**

(52) **U.S. Cl.**  
USPC ..... **D32/53**

(58) **Field of Classification Search**  
USPC ..... D32/17, 18, 21, 22, 23, 24, 31, 32, 33,  
D32/34, 53  
CPC ..... A47L 11/20; A47L 11/34; A47L 11/40;  
A47L 11/4016; A47L 7/02; A47L 13/58;  
A47L 11/4027; A47L 11/4038; A47L  
11/14; A47L 11/145; A47L 11/16; A47L  
11/161; A47L 11/292; A47I 13/50  
See application file for complete search history.

(56) **References Cited**

**U.S. PATENT DOCUMENTS**

- 7,743,462 B2 \* 6/2010 Yoo ..... A47L 9/0472  
15/385
- D632,446 S \* 2/2011 Tseng ..... D32/53
- D645,628 S \* 9/2011 Tseng ..... D32/53
- D647,268 S \* 10/2011 Chen ..... D32/53
- 8,407,849 B2 \* 4/2013 Chen ..... A47L 13/58  
15/260
- D693,080 S \* 11/2013 Shao ..... D32/53
- D707,003 S \* 6/2014 Dingert ..... D32/53
- D723,234 S \* 2/2015 Lentine ..... D32/53

- D728,882 S \* 5/2015 Tsai ..... A47L 13/59  
D32/53
- D907,872 S \* 1/2021 Messineo ..... D32/53
- D919,216 S \* 5/2021 Lin ..... D32/53
- 2010/0122953 A1 \* 5/2010 Yu ..... A47L 13/58  
210/405
- 2011/0247169 A1 \* 10/2011 Chen ..... A47L 13/58  
15/260

(Continued)

**OTHER PUBLICATIONS**

Automatic Electric Floor Mop Cleaner Cleaning Bucket (on-line), no date available. Retrieved from Internet Oct. 28, 2021, URL: <https://www.kogan.com/au/buy/automatic-electric-floor-mop-cleaner-cleaning-bucket-405x245x14cm/> (1 page).\*

(Continued)

*Primary Examiner* — Kimberly Barnes  
(74) *Attorney, Agent, or Firm* — Cheng-Ju Chiang

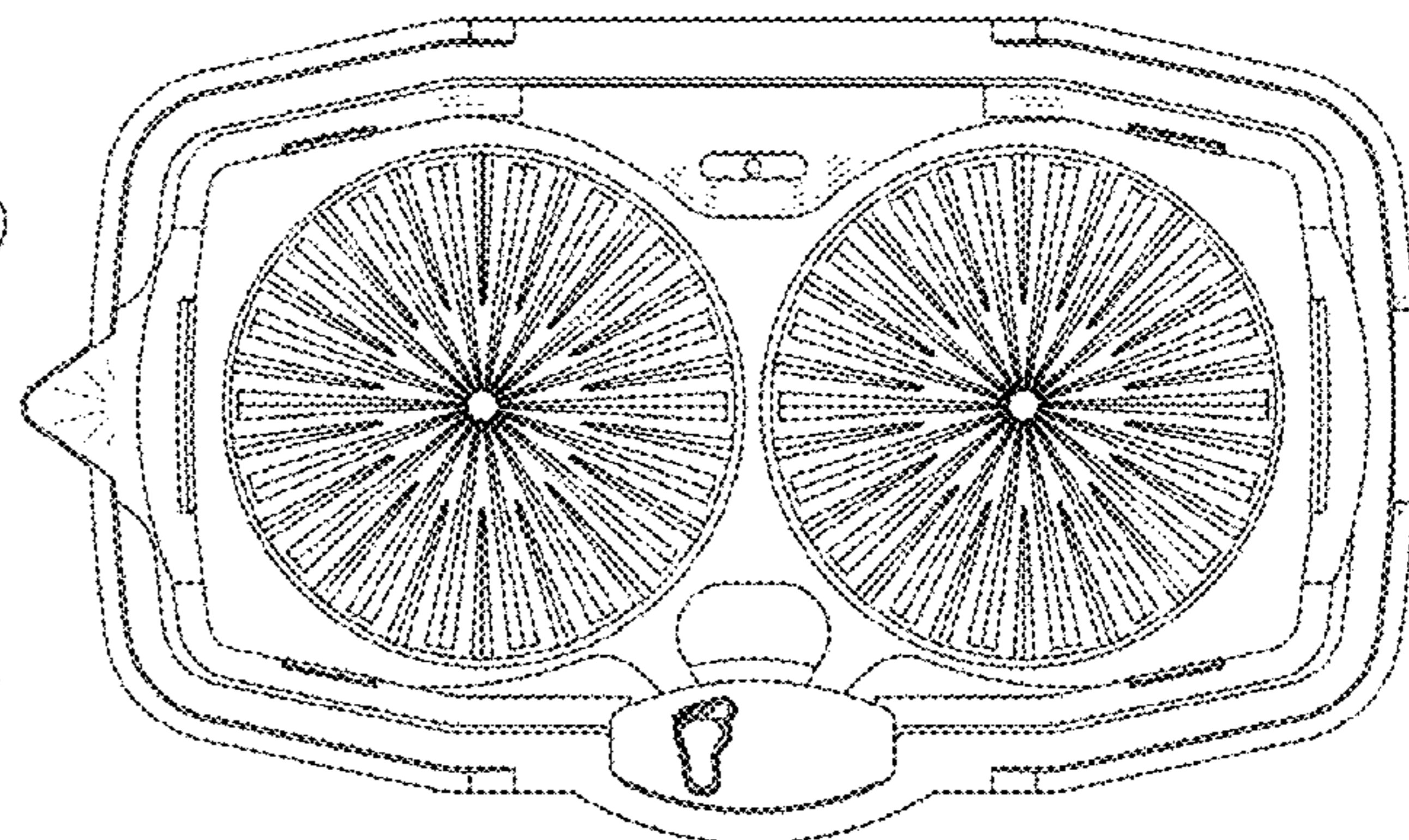
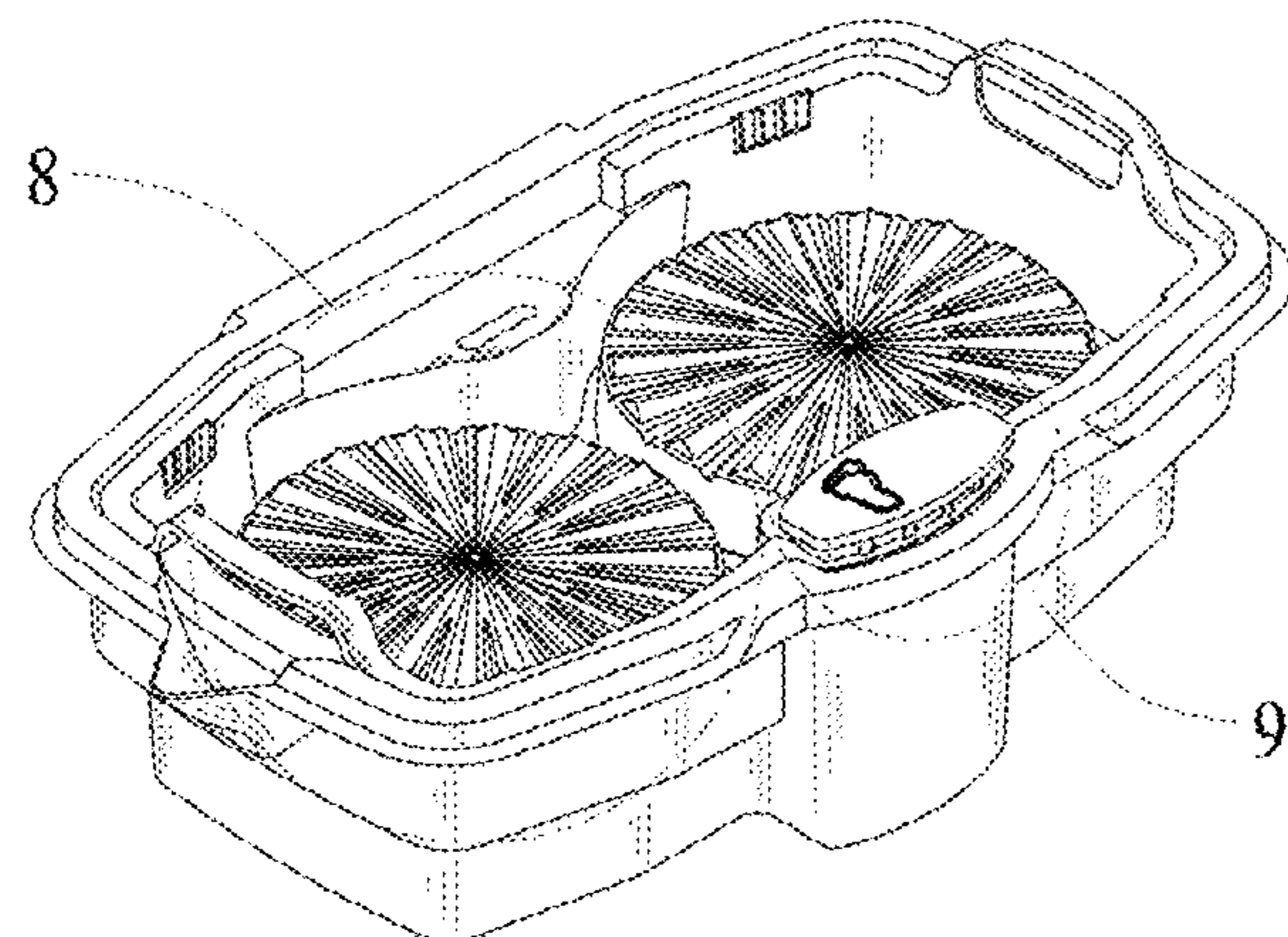
(57) **CLAIM**

The ornamental design for a cleaning plate for an electric mop, as shown and described.

**DESCRIPTION**

FIG. 1 is a front perspective view of a cleaning plate for an electric mop in accordance with my design;  
FIG. 2 is a front side view thereof;  
FIG. 3 is rear side view thereof;  
FIG. 4 is a left side view thereof;  
FIG. 5 is a right side view thereof;  
FIG. 6 is a top view thereof;  
FIG. 7 is a bottom view thereof;  
FIG. 8 is an enlarged view of a circle portion 8 of FIG. 1; and,  
FIG. 9 is an enlarged view of a circle portion 9 of FIG. 1. The broken lines depict portions of the cleaning plate for an electric mop that form no part of the claimed design.

**1 Claim, 9 Drawing Sheets**



(56)

**References Cited**

U.S. PATENT DOCUMENTS

2015/0282689 A1\* 10/2015 Ngan ..... A47L 13/58  
15/260  
2018/0078110 A1\* 3/2018 Li ..... A47L 13/14  
2020/0077858 A1\* 3/2020 Zhang ..... A47L 11/4044  
2020/0397205 A1\* 12/2020 Li ..... A47L 11/283  
2020/0405120 A1\* 12/2020 Liu ..... A47L 13/50

OTHER PUBLICATIONS

Bobot Cordless Electric Mop (on-line), dated Jan. 26, 2021. Retrieved from Internet Oct. 28, 2021, URL: <https://web.archive.org/web/20210126013032/https://www.hardwaremart.my/product/bobot-cordless-electric-mop-mop-8600s/> (1 page) (Year: 2021).\*

\* cited by examiner

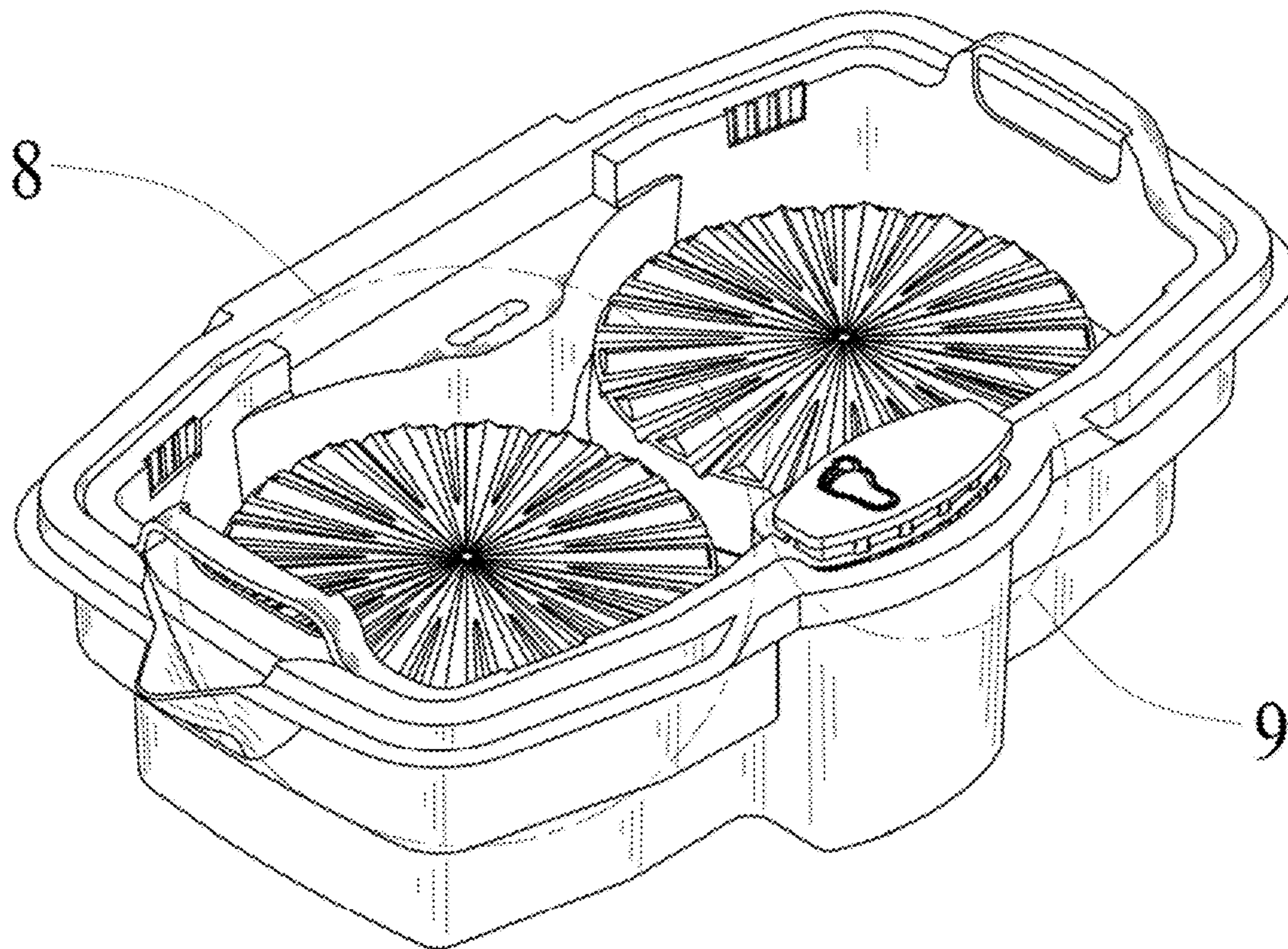


FIG. 1

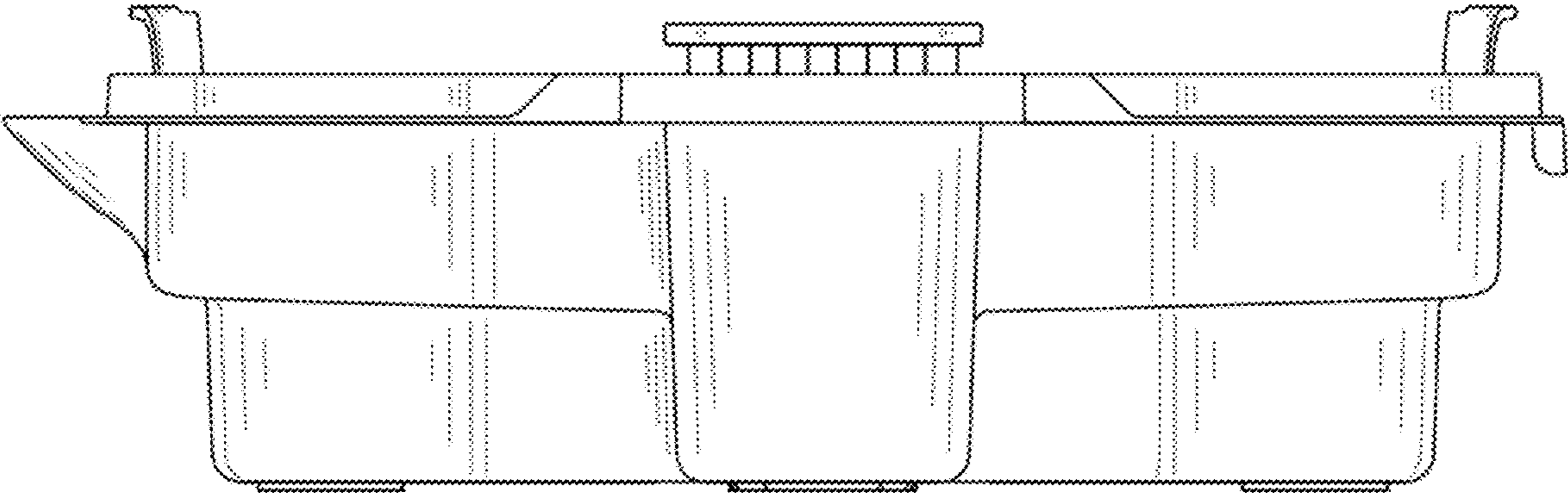


FIG. 2

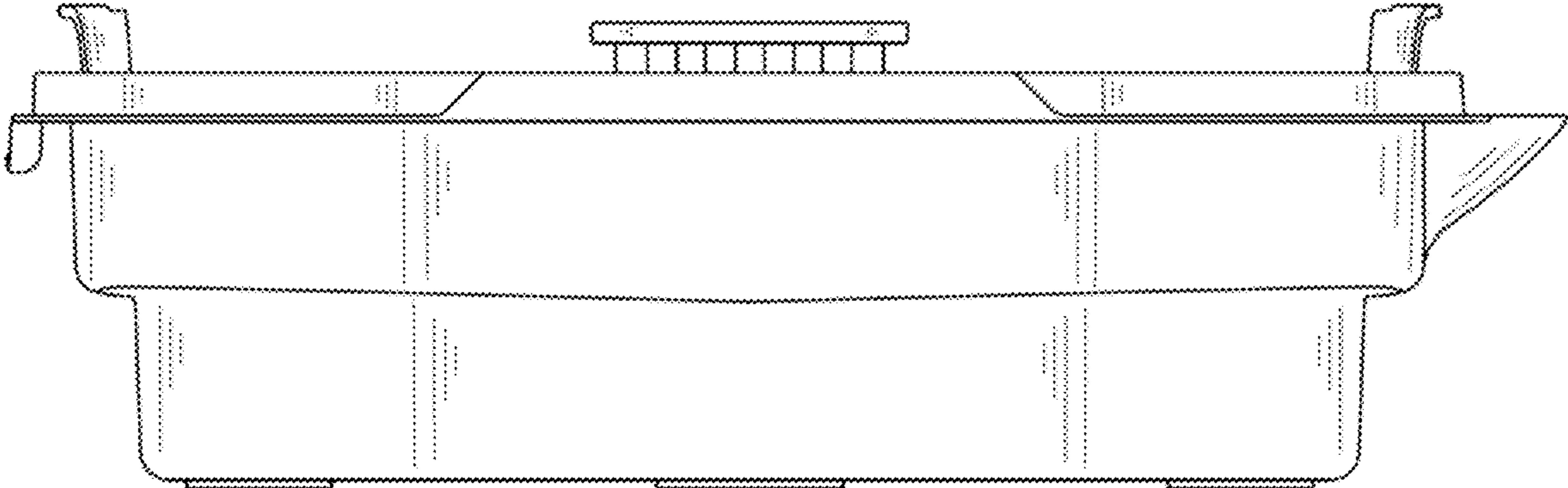


FIG. 3

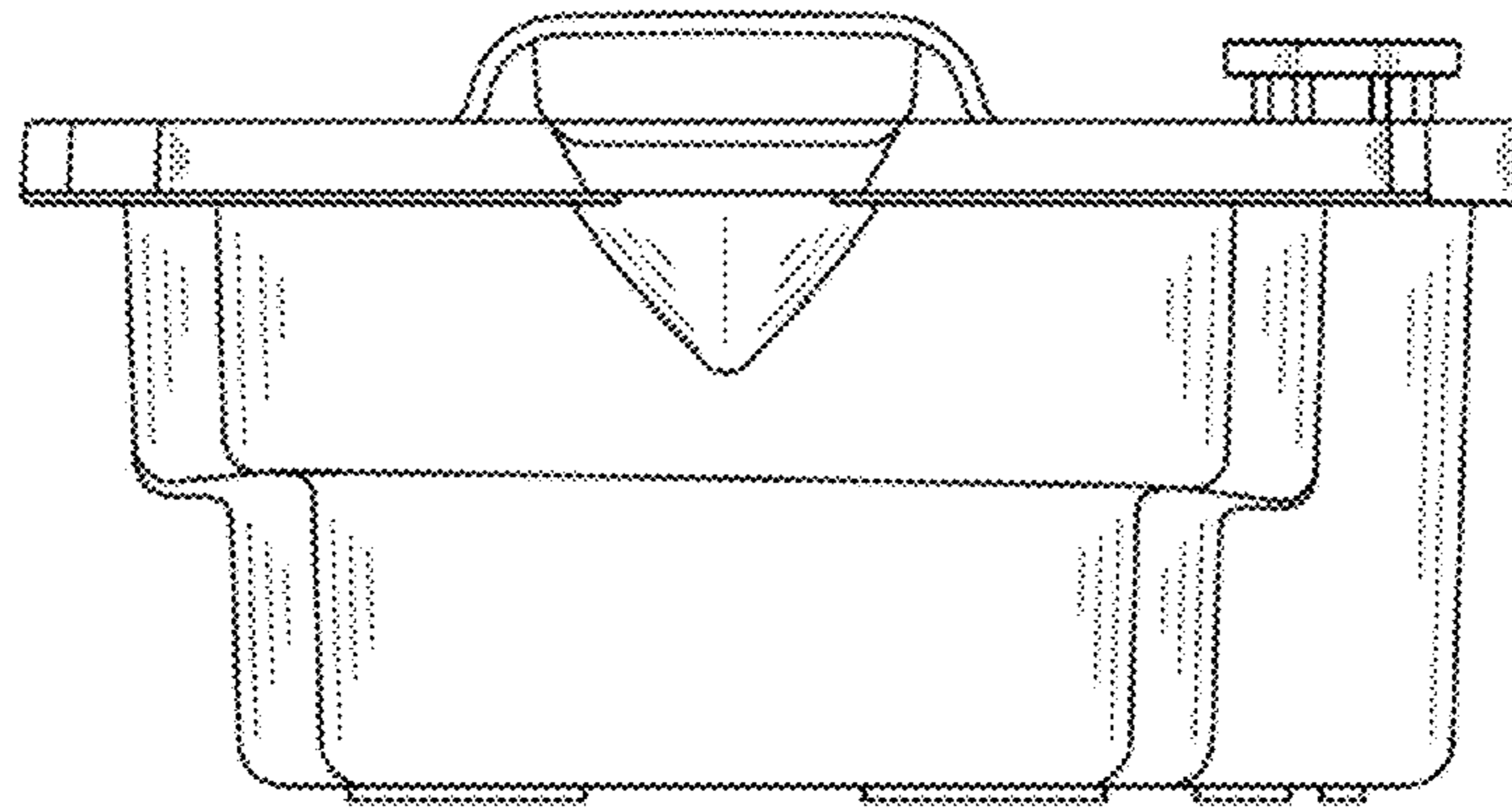


FIG. 4

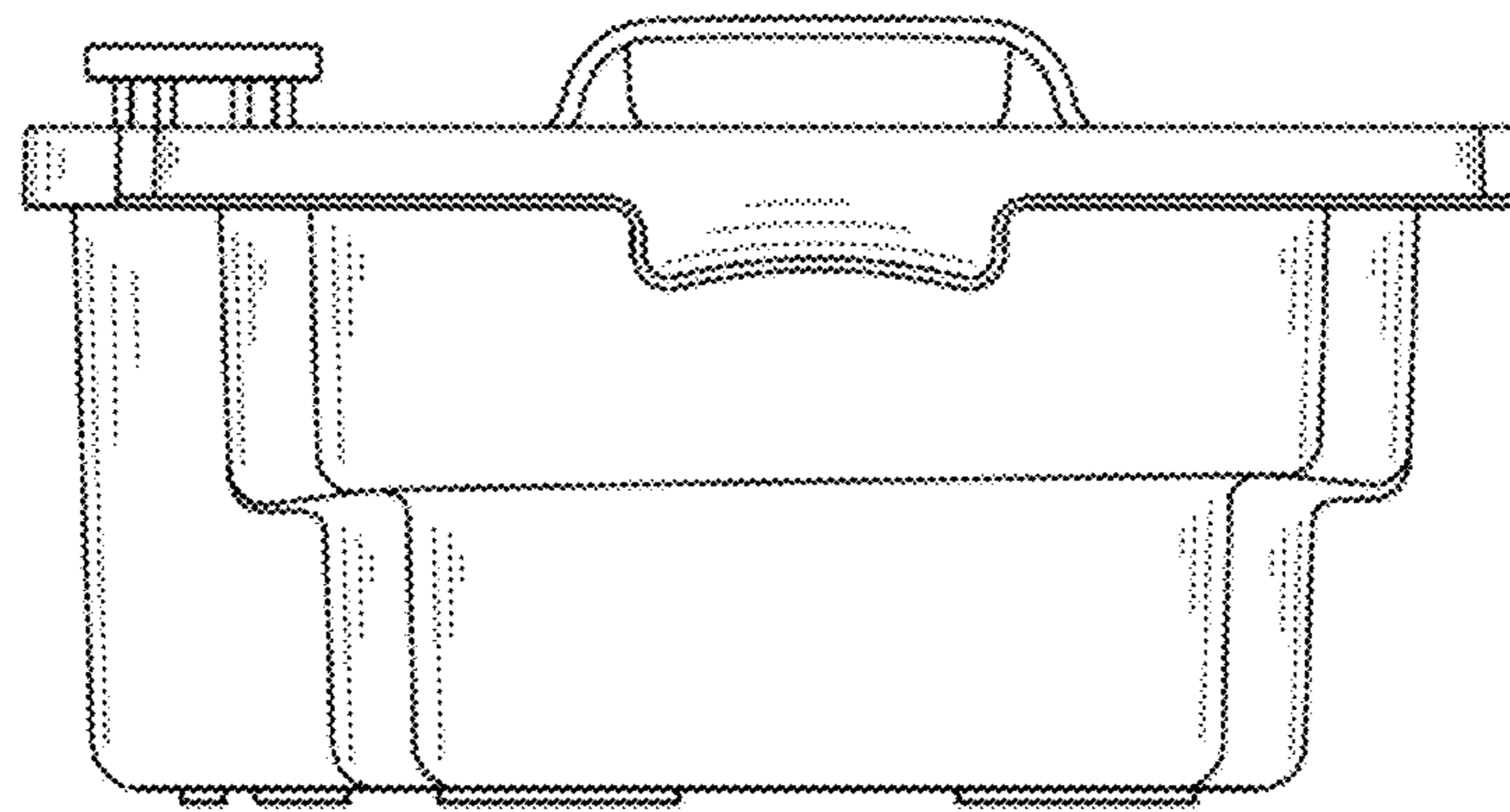


FIG. 5

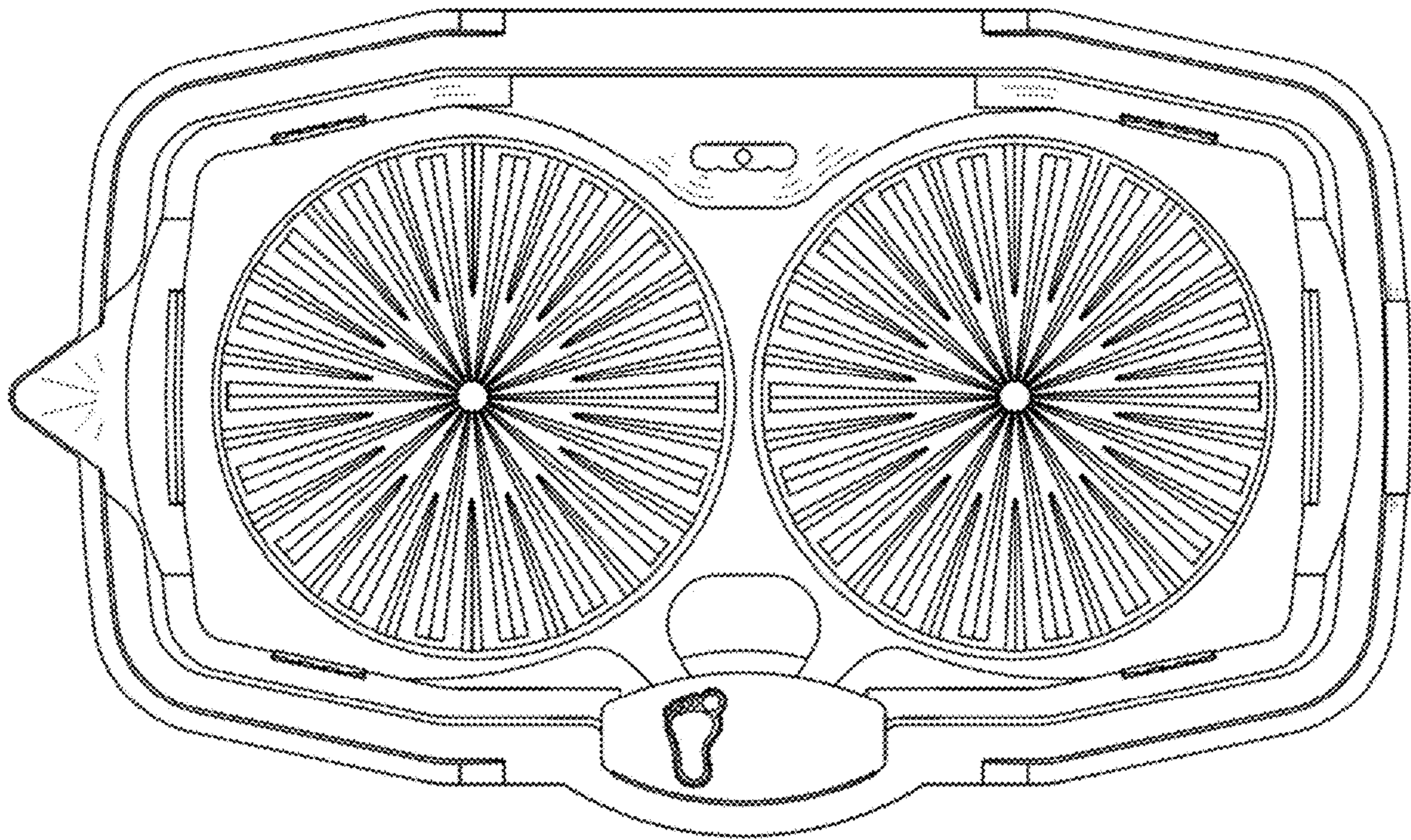


FIG. 6



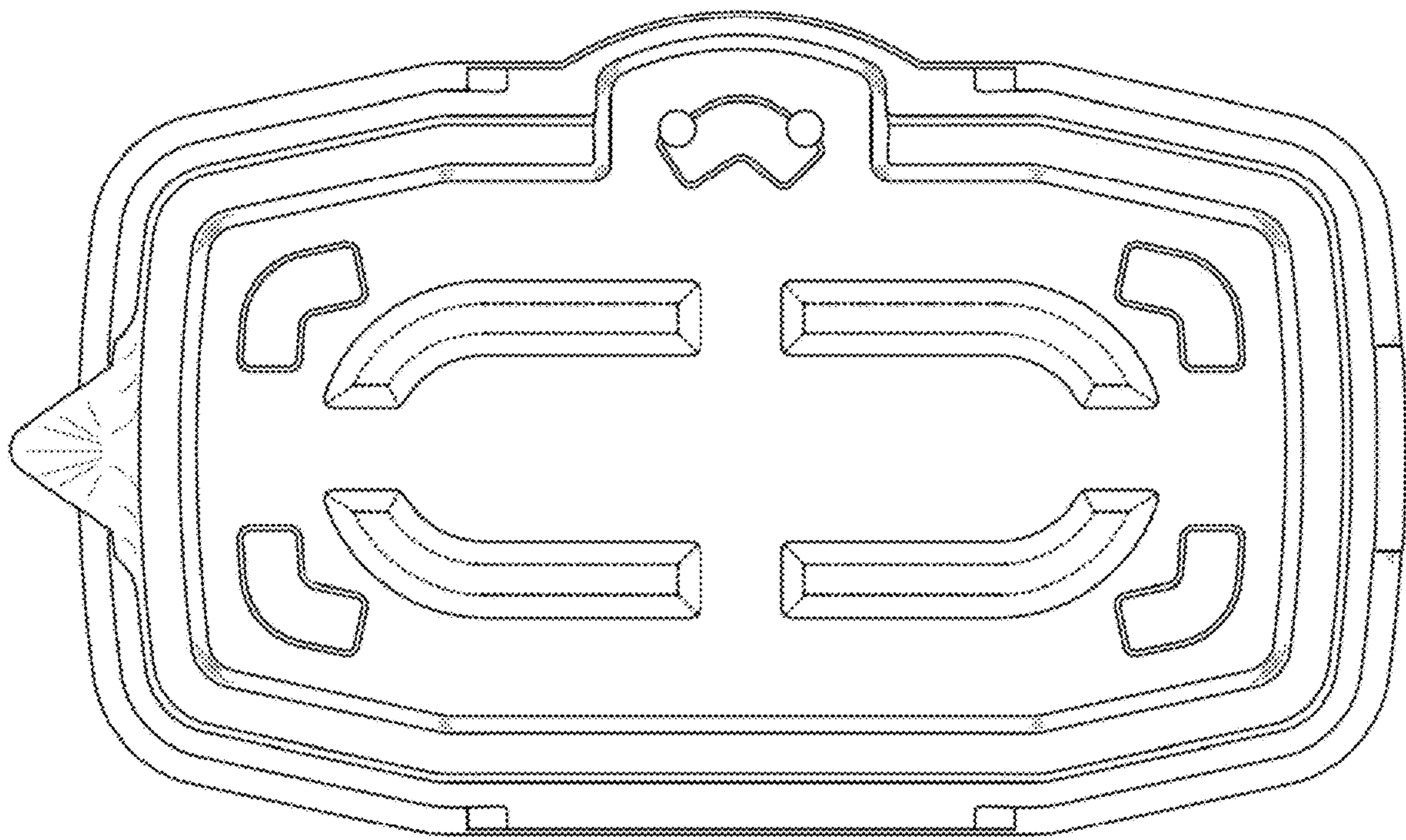


FIG. 7

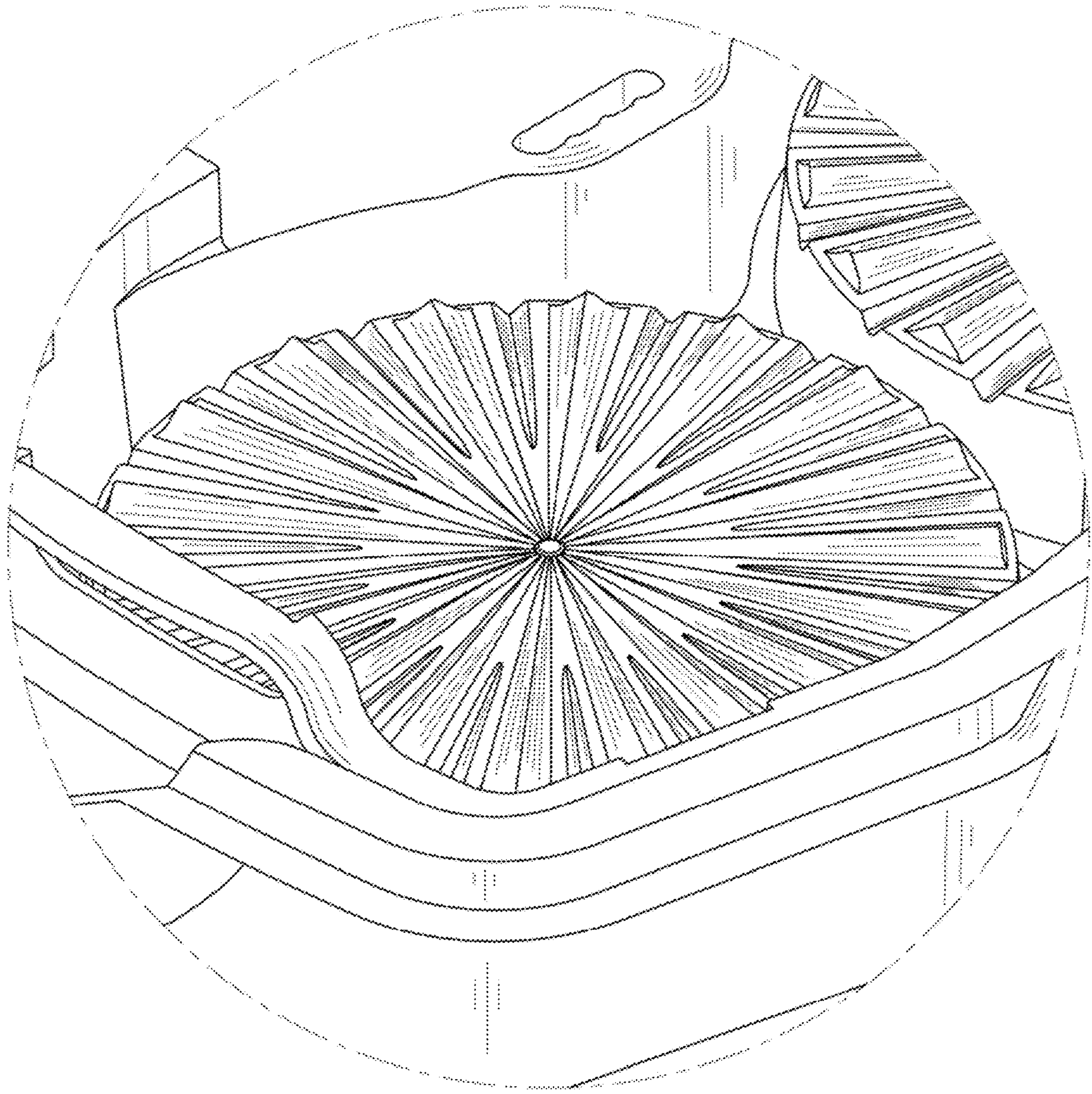


FIG. 8

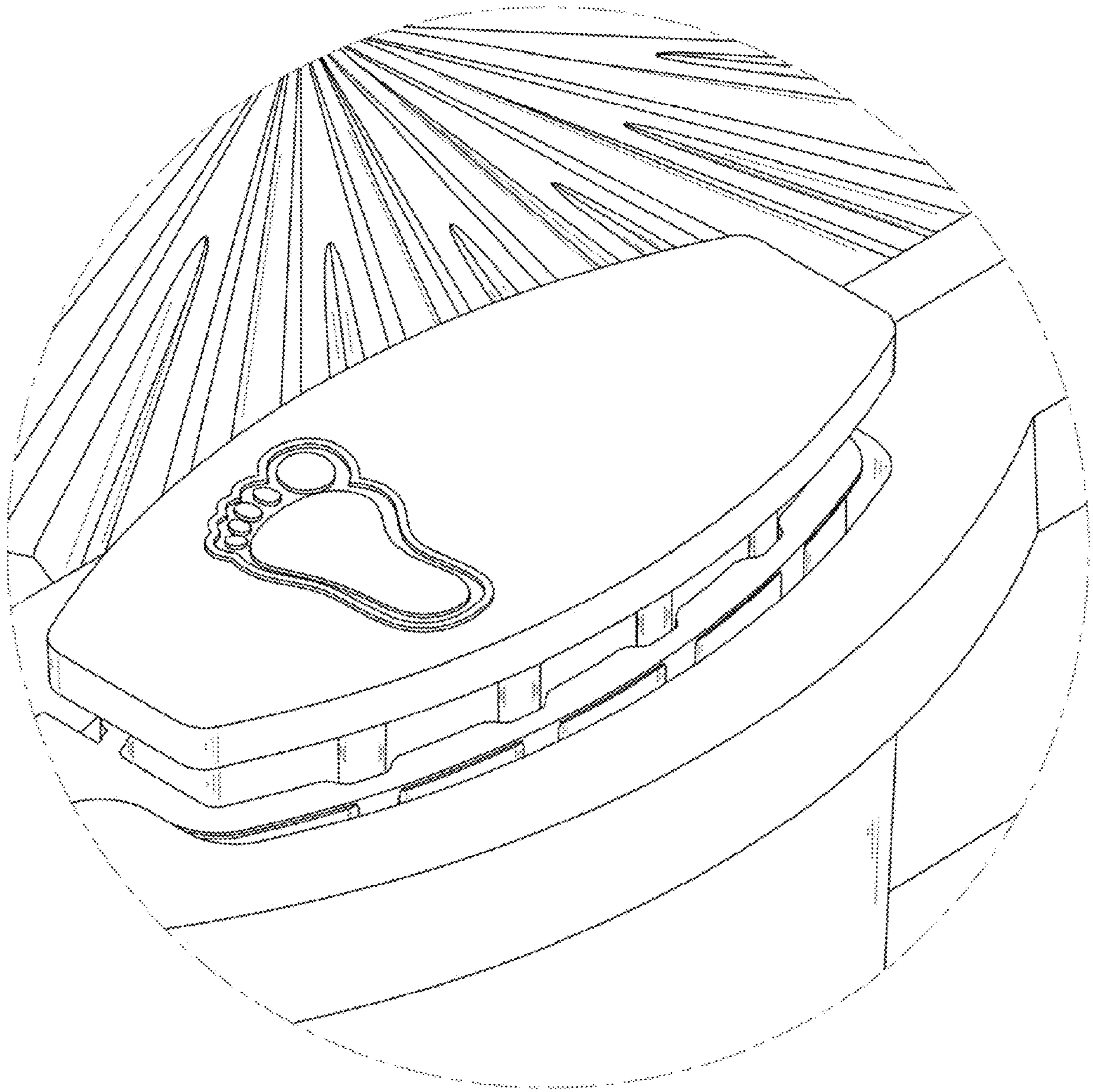


FIG. 9