



US00D948150S

(12) **United States Design Patent**  
**Tian**

(10) **Patent No.:** **US D948,150 S**  
(45) **Date of Patent:** **\*\* Apr. 5, 2022**

(54) **WINDOW CLEANER**

FOREIGN PATENT DOCUMENTS

(71) Applicant: **Qianwen Tian**, Shenzhen (CN)

CN 306575997 \* 6/2021

(72) Inventor: **Qianwen Tian**, Shenzhen (CN)

OTHER PUBLICATIONS

(\*\*) Term: **15 Years**

Joybos website copyright 2021, site visited Dec. 13, 2021, <https://joybos.com/products/joybos%C2%AE-shower-floor-squeegee-broom?>  
\*

(21) Appl. No.: **29/777,031**

(22) Filed: **Apr. 2, 2021**

\* cited by examiner

(51) **LOC (13) Cl.** ..... **07-05**

(52) **U.S. Cl.**  
USPC ..... **D32/41**

*Primary Examiner* — John R Yeh

(58) **Field of Classification Search**  
USPC ..... D32/40-43, 45-46  
CPC ..... B44D 3/16; A47L 17/06; A47L 13/022;  
A47L 1/06; B43L 1/00  
See application file for complete search history.

(57) **CLAIM**

The ornamental design for a window cleaner, as shown and described.

(56) **References Cited**

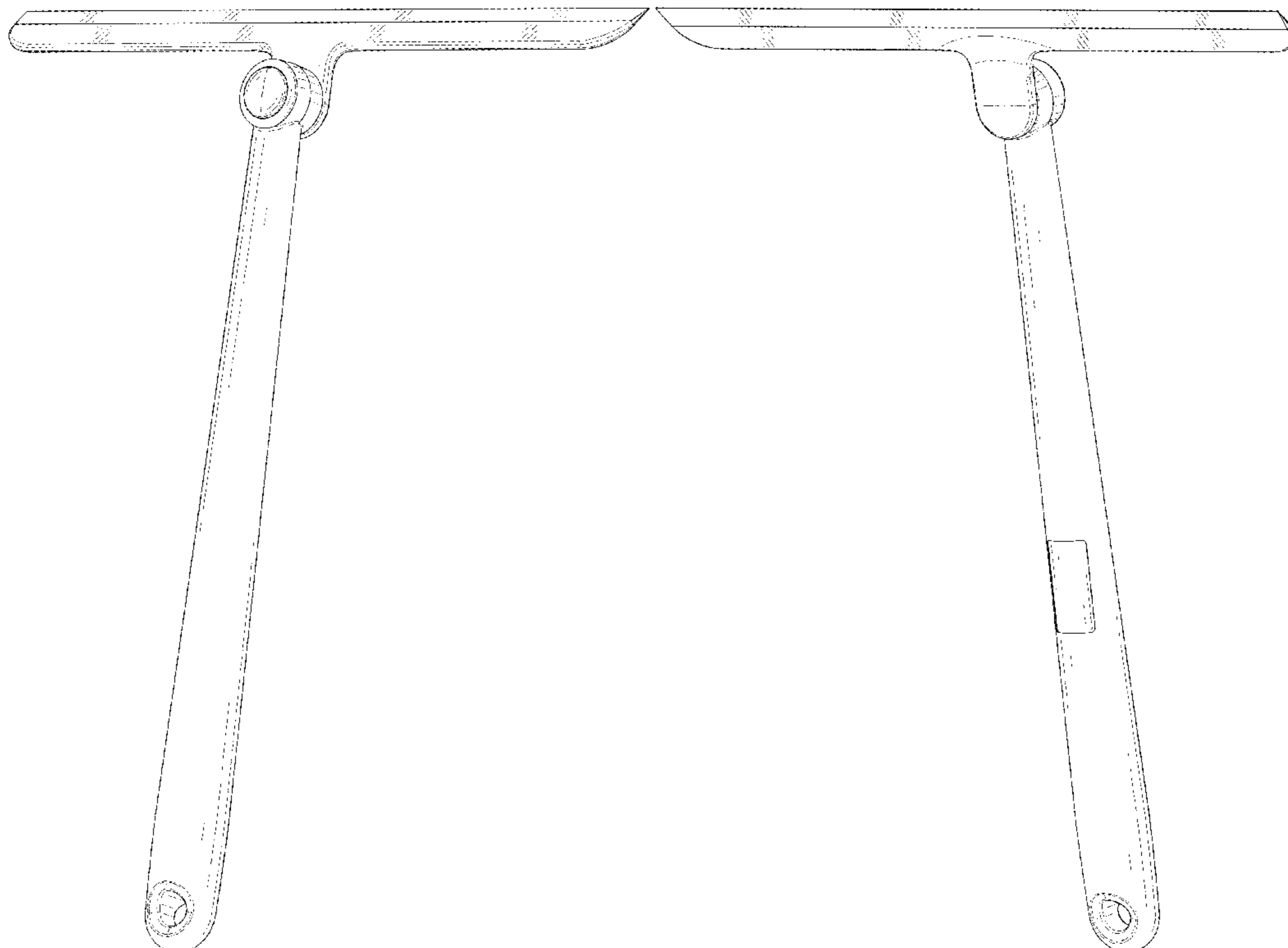
**DESCRIPTION**

U.S. PATENT DOCUMENTS

|              |      |         |             |       |            |
|--------------|------|---------|-------------|-------|------------|
| 6,625,840    | B1 * | 9/2003  | Hansen      | ..... | A47L 1/06  |
|              |      |         |             |       | 15/236.01  |
| D480,853     | S *  | 10/2003 | Snell       | ..... | D32/41     |
| D487,830     | S *  | 3/2004  | Snell       | ..... | D32/41     |
| D704,911     | S *  | 5/2014  | Albo        | ..... | D32/41     |
| 8,726,451    | B2 * | 5/2014  | Patterson   | ..... | A47L 1/06  |
|              |      |         |             |       | 15/245     |
| D709,757     | S *  | 7/2014  | Yang        | ..... | D8/395     |
| D753,354     | S    | 4/2016  | Casini      |       |            |
| D773,141     | S *  | 11/2016 | Chitayat    | ..... | D32/41     |
| D815,380     | S    | 4/2018  | Bond et al. |       |            |
| D907,870     | S *  | 1/2021  | Vasquez     | ..... | D32/41     |
| 2004/0000056 | A1 * | 1/2004  | Chao        | ..... | B44D 3/162 |
|              |      |         |             |       | 30/169     |

FIG. 1 is a perspective view of a window cleaner showing my new design;  
FIG. 2 is another perspective view thereof;  
FIG. 3 is a front elevational view thereof;  
FIG. 4 is a rear elevational view thereof;  
FIG. 5 is a left side elevational view thereof;  
FIG. 6 is a right side elevational view thereof;  
FIG. 7 is a top plan view thereof;  
FIG. 8 is a bottom plan view thereof; and,  
FIG. 9 is a perspective view of the window cleaner where the window cleaner is in a configuration of use.

**1 Claim, 9 Drawing Sheets**



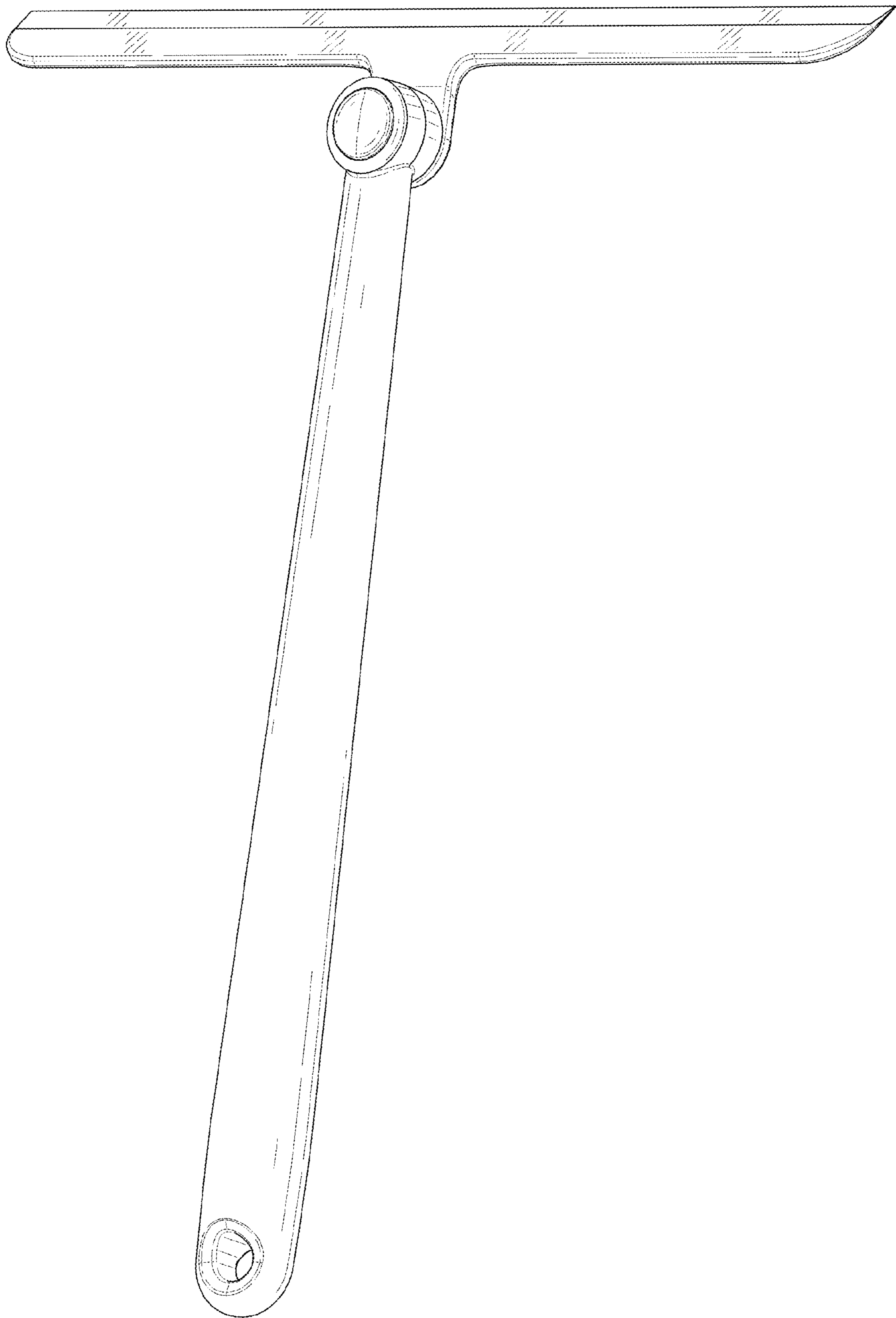


FIG. 1

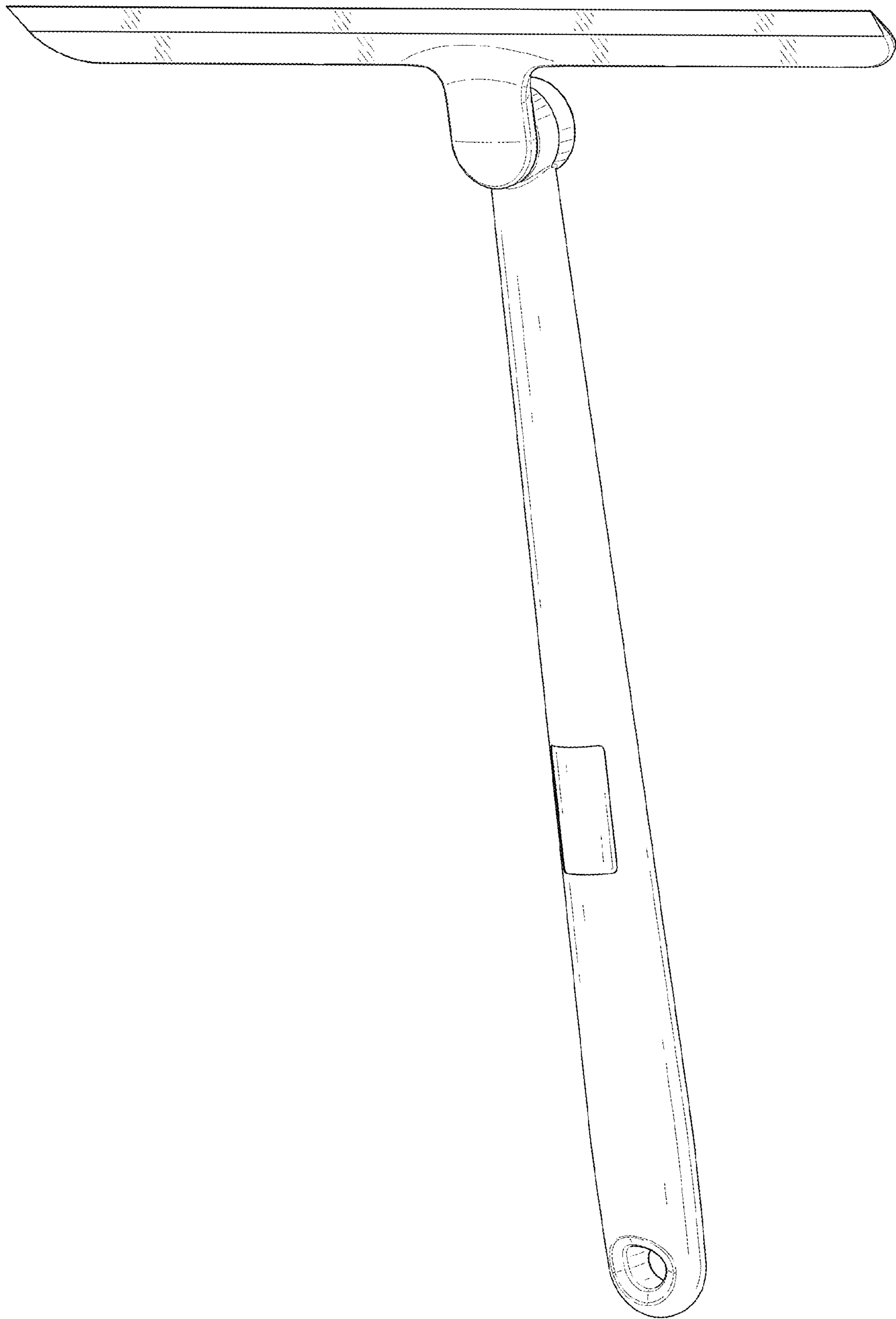


FIG. 2

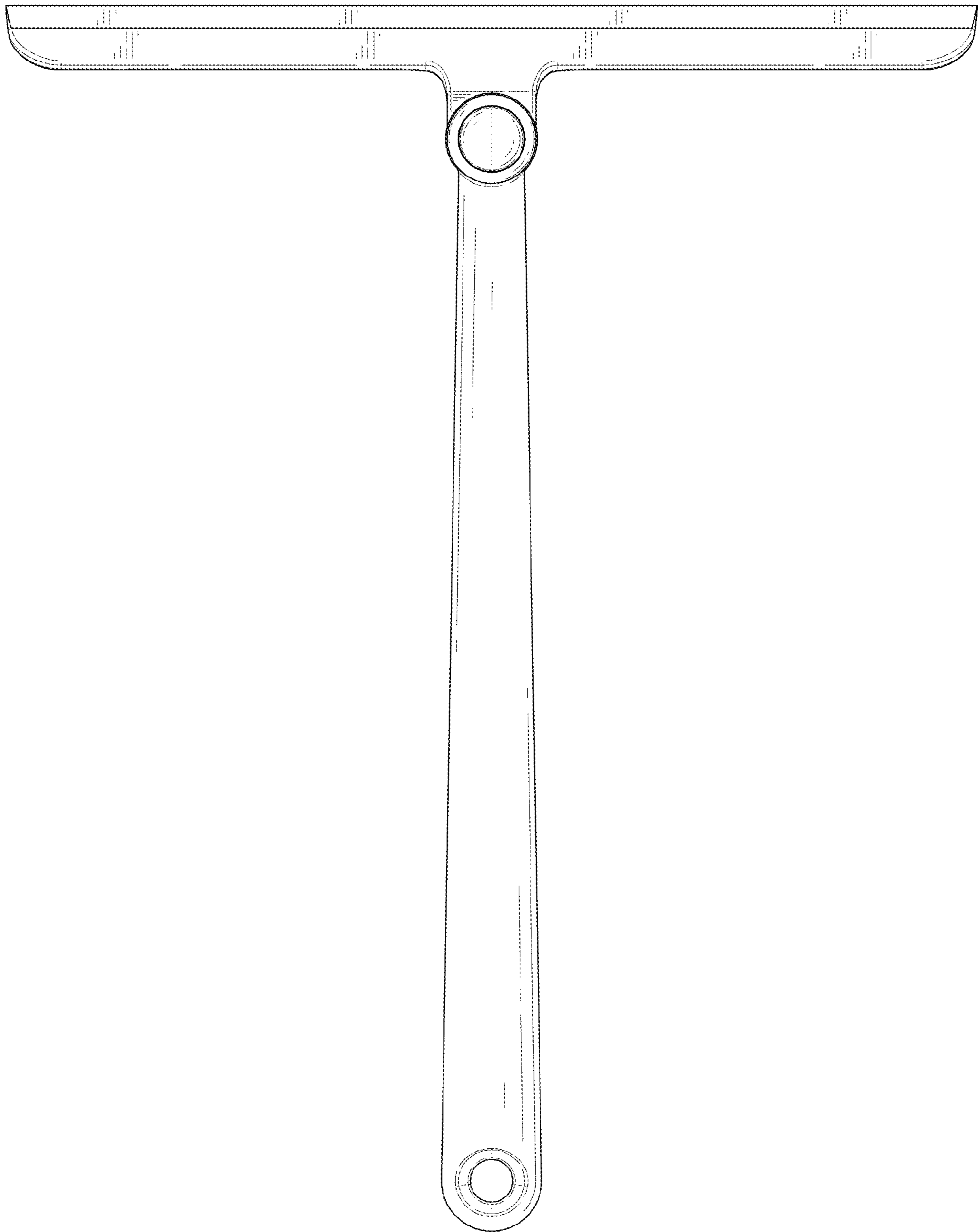


FIG. 3

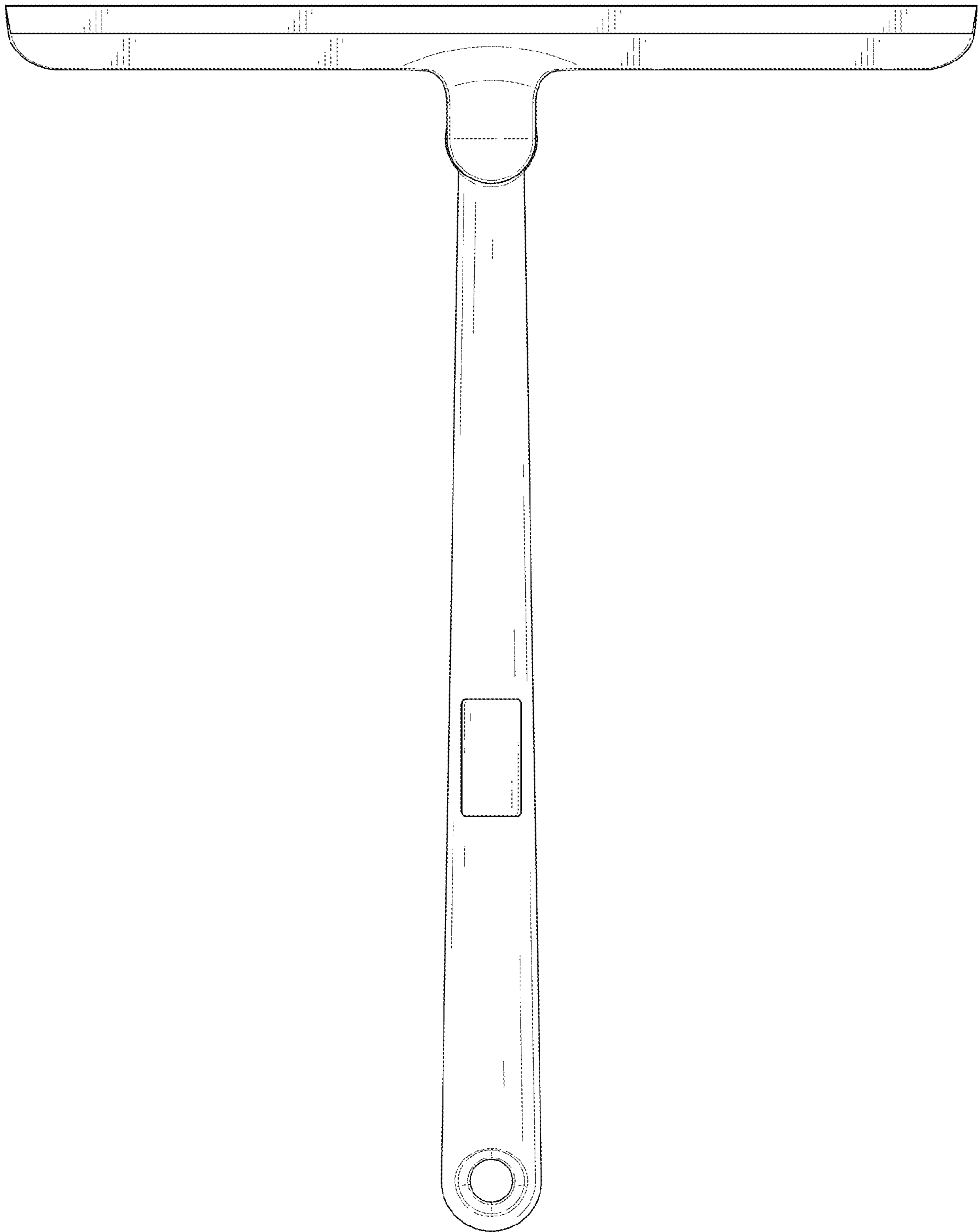


FIG. 4

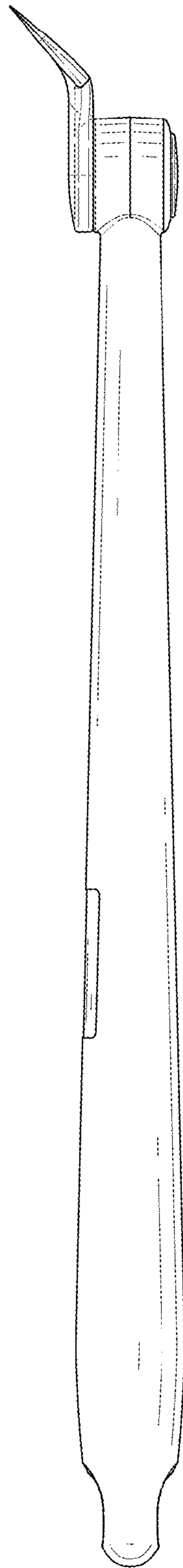


FIG. 5

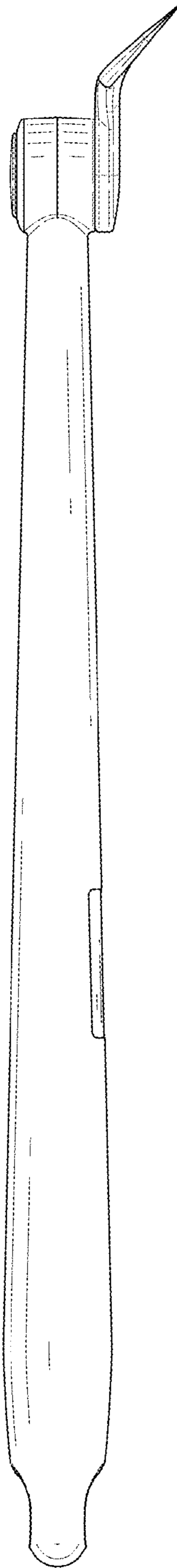


FIG. 6

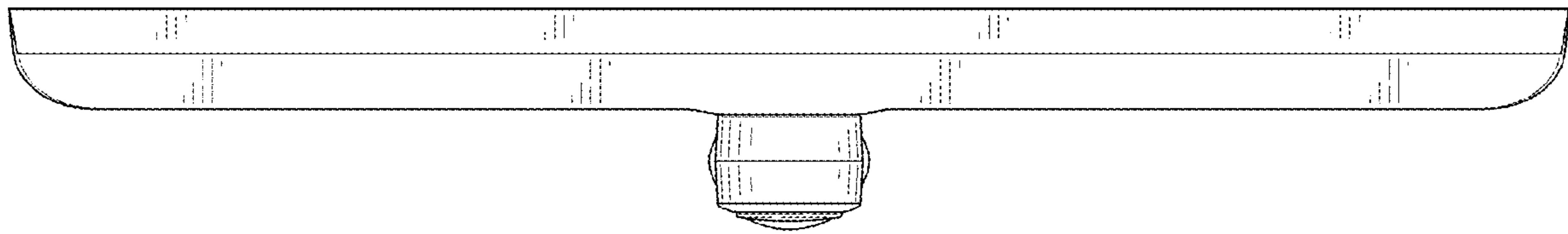


FIG. 7



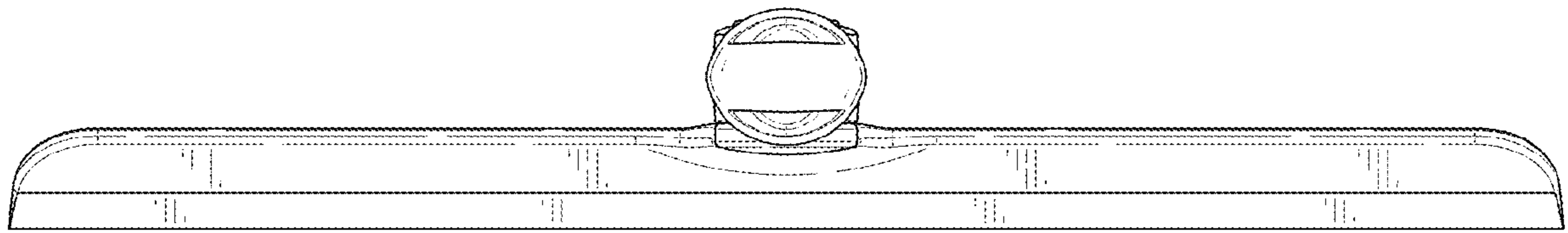


FIG. 8

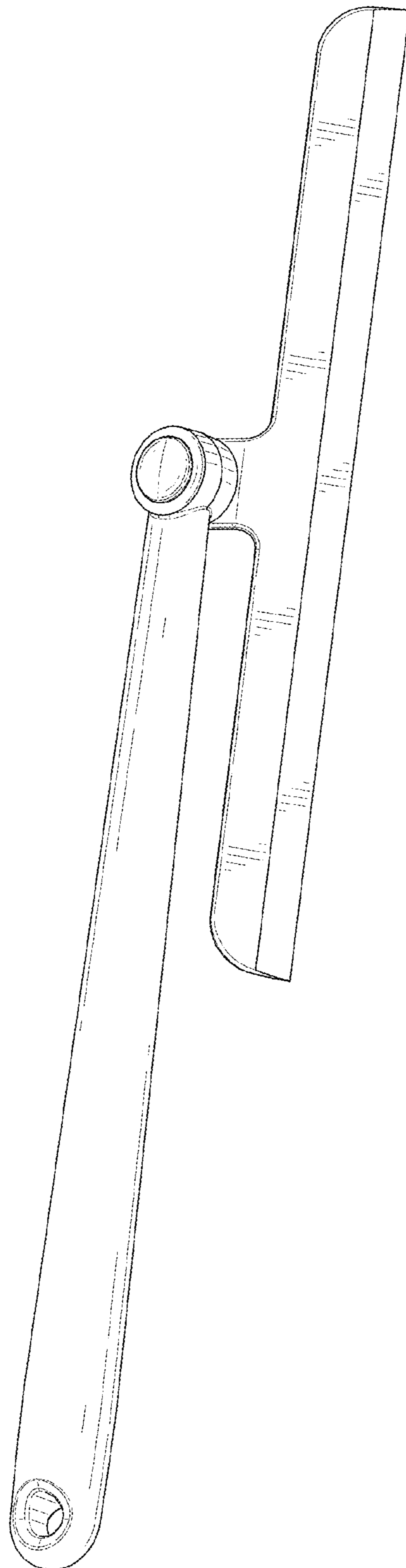


FIG. 9