



US00D948149S

(12) **United States Design Patent** (10) **Patent No.:** **US D948,149 S**  
**Mathias et al.** (45) **Date of Patent:** **\*\* Apr. 5, 2022**

(54) **MOP REPLACEMENT HEAD**  
(71) Applicant: **SharkNinja Operating LLC**,  
Needham, MA (US)  
(72) Inventors: **Richard Mathias**, Needham, MA (US);  
**Brandon J. Suleski**, Cambridge, MA  
(US); **Michael James Douglas**, London  
(GB)

D287,539 S 12/1986 Wilson et al.  
D315,975 S 4/1991 Huang  
D352,432 S \* 11/1994 Monroe ..... D32/41  
5,365,881 A 11/1994 Sporn  
D358,238 S 5/1995 Barnett  
D360,507 S 7/1995 Salvato  
5,455,980 A \* 10/1995 Buchanan ..... A47L 13/24  
15/147.2

(Continued)

(73) Assignee: **SharkNinja Operating LLC**,  
Needham, MA (US)

FOREIGN PATENT DOCUMENTS

JP D1489801 S 2/2014

(\*\*) Term: **15 Years**

OTHER PUBLICATIONS

(21) Appl. No.: **29/724,387**

Mop Head <https://www.homedepot.com/p/Shark-VACMOP-5-9-in-x-10-in-Disposable-Hard-Floor-Vacuum-and-Mop-Pad-Refills-Microfiber-Cloth-10-Count-VMP10/312832515> (Year: 2020).\*

(22) Filed: **Feb. 14, 2020**

(Continued)

(51) **LOC (13) Cl.** ..... **07-05**

(52) **U.S. Cl.**  
USPC ..... **D32/40**

(58) **Field of Classification Search**  
USPC ..... D6/582; D30/159; D32/38, 41, 45, 49,  
D32/50, 51, 40  
CPC .... A47L 9/1409; A47L 13/256; A47L 13/225;  
A47L 9/1445; A47L 13/254; A47L 13/24;  
B01D 50/002; B25G 3/38

*Primary Examiner* — Michelle E. Wilson  
*Assistant Examiner* — Richard E Yenchesky  
(74) *Attorney, Agent, or Firm* — Mintz Levin Cohn Ferris  
Glovsky and Popeo, PC; Lisa Adams

See application file for complete search history.

(57) **CLAIM**

We claim the ornamental design for the mop replacement head, as shown and described.

(56) **References Cited**

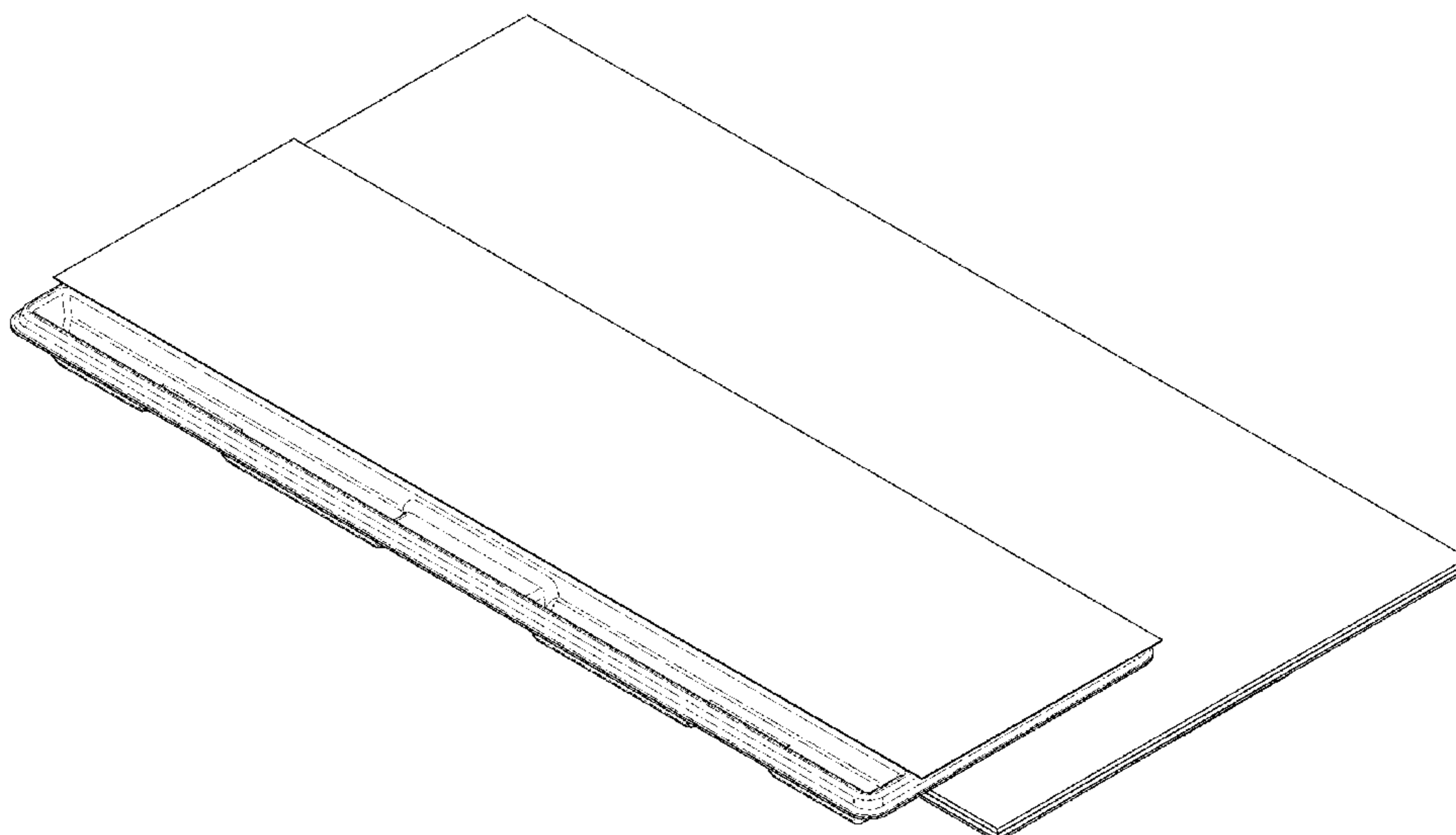
**DESCRIPTION**

U.S. PATENT DOCUMENTS

490,472 A 1/1893 Clements  
D50,310 S \* 2/1917 Krantz ..... D32/38  
D95,984 S \* 6/1935 Pullen ..... D32/38  
D104,418 S \* 5/1937 Williams ..... D32/38  
D117,388 S 10/1939 Woinarovicz  
D214,977 S 8/1969 Roth  
3,676,888 A 7/1972 Akers  
D247,949 S 5/1978 Tillinghast et al.  
D249,821 S 10/1978 Cooke et al.  
D250,245 S 11/1978 Bebb  
D278,099 S 3/1985 Evans  
D286,576 S 11/1986 Schneider et al.

FIG. 1 is an isometric view of the replacement head;  
FIG. 2 is a front view of the replacement head;  
FIG. 3 is a rear view of the replacement head;  
FIG. 4 is a top view of the replacement head;  
FIG. 5 is a bottom view of the replacement head;  
FIG. 6 is a side view of the replacement head; and,  
FIG. 7 is another side view of the replacement head.  
Broken lines shown in the Figures indicate unclaimed subject matter.

**1 Claim, 5 Drawing Sheets**



(56)

References Cited

U.S. PATENT DOCUMENTS

D388,569 S 12/1997 Israel  
D391,715 S \* 3/1998 Irwin ..... A47L 13/254  
D32/50  
D402,776 S 12/1998 Carlson  
5,915,437 A 6/1999 Petner  
D423,157 S 4/2000 Hodges  
D427,401 S \* 6/2000 Kunkler ..... D32/50  
D444,952 S 7/2001 Mason, Jr.  
D455,878 S \* 4/2002 Debreczeni ..... D32/50  
6,379,408 B1 \* 4/2002 Embree ..... A47L 9/1445  
15/347  
D467,686 S 12/2002 Kohler  
D506,050 S 6/2005 Lalanne et al.  
D518,935 S 4/2006 Leitch et al.  
D548,907 S 8/2007 Killen  
D548,910 S \* 8/2007 Murray ..... D32/45  
D554,815 S 11/2007 Harper et al.  
D563,068 S 2/2008 Jiang et al.  
D587,538 S 3/2009 Vendl et al.  
D591,019 S \* 4/2009 Perry Zang Wentz Pho .....  
D32/49  
D597,717 S \* 8/2009 Rosenzweig ..... A47L 13/225  
D32/45  
D613,473 S 4/2010 Pierce  
D615,260 S 5/2010 Koenig  
D617,066 S 6/2010 Koenig et al.  
D625,480 S 10/2010 Raven  
D644,386 S \* 8/2011 Tawara ..... D32/51  
D653,826 S 2/2012 Lee  
D657,515 S \* 4/2012 McGee ..... D32/45  
D657,516 S \* 4/2012 McGee ..... D32/45  
D657,928 S 4/2012 Byrne  
D658,836 S 5/2012 Ediger et al.  
D661,034 S 5/2012 Ediger et al.  
D672,107 S 12/2012 Van Lanningham, Jr. et al.  
D677,031 S 2/2013 Best et al.  
D701,013 S 3/2014 Libman et al.  
D703,407 S 4/2014 Xiong  
D720,906 S 1/2015 Baldwin  
D731,137 S \* 6/2015 Colangelo ..... A47L 13/16  
D32/40  
D740,050 S \* 10/2015 Jalbert ..... D6/582  
D740,051 S \* 10/2015 Jalbert ..... D6/582  
D756,581 S 5/2016 Libman et al.  
D759,329 S 6/2016 Colangelo  
D761,510 S 7/2016 Vicari et al.  
D764,127 S 8/2016 Vicari et al.

D765,931 S \* 9/2016 Presnell ..... D32/50  
D766,528 S 9/2016 Choi et al.  
D766,584 S 9/2016 Blouin et al.  
D779,144 S 2/2017 Layevsky  
D783,215 S \* 4/2017 Presnell ..... D32/50  
D792,043 S 7/2017 Buckley et al.  
D793,639 S 8/2017 Schuller et al.  
D804,123 S 11/2017 Orsino  
D817,574 S 5/2018 Libman et al.  
10,004,372 B2 6/2018 Escobar et al.  
D837,464 S \* 1/2019 Park ..... D30/159  
D850,047 S 5/2019 James et al.  
D885,002 S \* 5/2020 James ..... D32/50  
D912,357 S \* 3/2021 Ross ..... D32/50  
2005/0193516 A1 9/2005 Hughes  
2006/0018706 A1 1/2006 Bensussan et al.  
2006/0048327 A1 3/2006 Lacotta et al.  
2006/0070196 A1 4/2006 Lacotta et al.  
2009/0265872 A1 \* 10/2009 Eldessouky ..... B25G 3/38  
15/144.1  
2016/0167128 A1 \* 6/2016 Stalder ..... B01D 50/002  
164/76.1  
2017/0049292 A1 2/2017 Harrington et al.  
2021/0015324 A1 \* 1/2021 James ..... A47L 13/256  
2021/0045601 A1 \* 2/2021 Douglas ..... A47L 9/1409

OTHER PUBLICATIONS

Replacement Head [https://www.amazon.com/Shark-VACMOP-Disposable-Vacuum-Refills/dp/B0921SPS4B/ref=asc\\_df\\_B0921SPS4B/](https://www.amazon.com/Shark-VACMOP-Disposable-Vacuum-Refills/dp/B0921SPS4B/ref=asc_df_B0921SPS4B/) (Year: 2020).  
Design U.S. Appl. No. 29/680,842, filed Feb. 20, 2019, Richard R. Mathias et al., 4 pages.  
U.S. Appl. No. 29/680,842, filed Feb. 20, 2019, Mop Pad.  
U.S. Appl. No. 29/724,367, filed Feb. 14, 2020, Mop Replacement Head.  
U.S. Appl. No. 29/724,397, filed Feb. 14, 2020, Mop Replacement Head.  
U.S. Appl. No. 29/692,756, filed May 28, 2019, Mop Head.  
U.S. Appl. No. 29/621,018, filed Oct. 3, 2017, Mop Head.  
(2019) Shark Rocket DuoClean Ultra-Light Corded Stick Vacuum, Walmart.com reviews, <https://www.walmart.com/ip/SharkNinja-Rocket-DuoClean-Corded-Ultra-Light-Bagless-M...> site visited Sep. 5, 2019, 19 pages.  
amazon.com “Shark Genius Steam Pocket Mop Hard Floor Cleaner”, oldest reviews 2016, [https://www.amazon.com/Cleaner-Blaster-Technology-Intelligent-S50030/dp/B01KU4BSGK/ref=cm\\_cr\\_arpd\\_product\\_top?ie=UTF8](https://www.amazon.com/Cleaner-Blaster-Technology-Intelligent-S50030/dp/B01KU4BSGK/ref=cm_cr_arpd_product_top?ie=UTF8), site visited Oct. 11, 2018, 11 pages.

\* cited by examiner

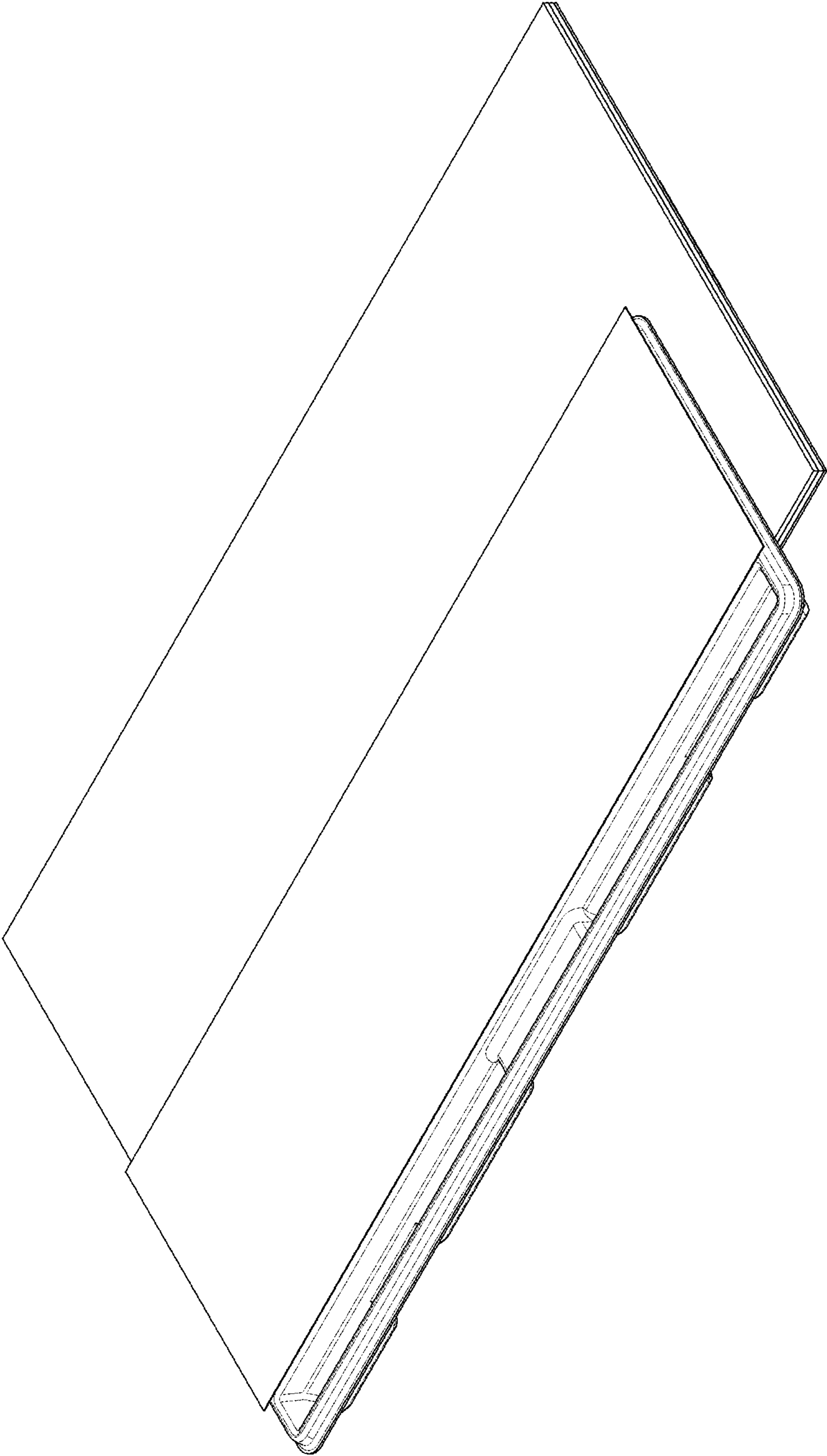


FIG. 1

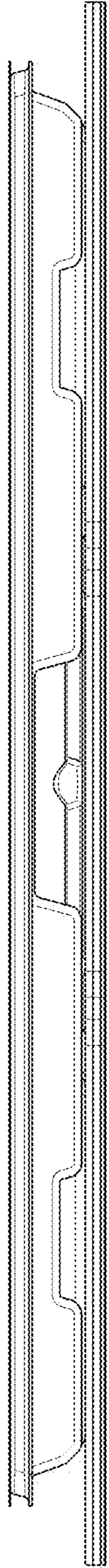


FIG. 2

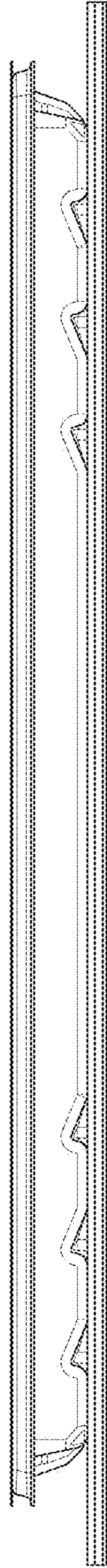


FIG. 3

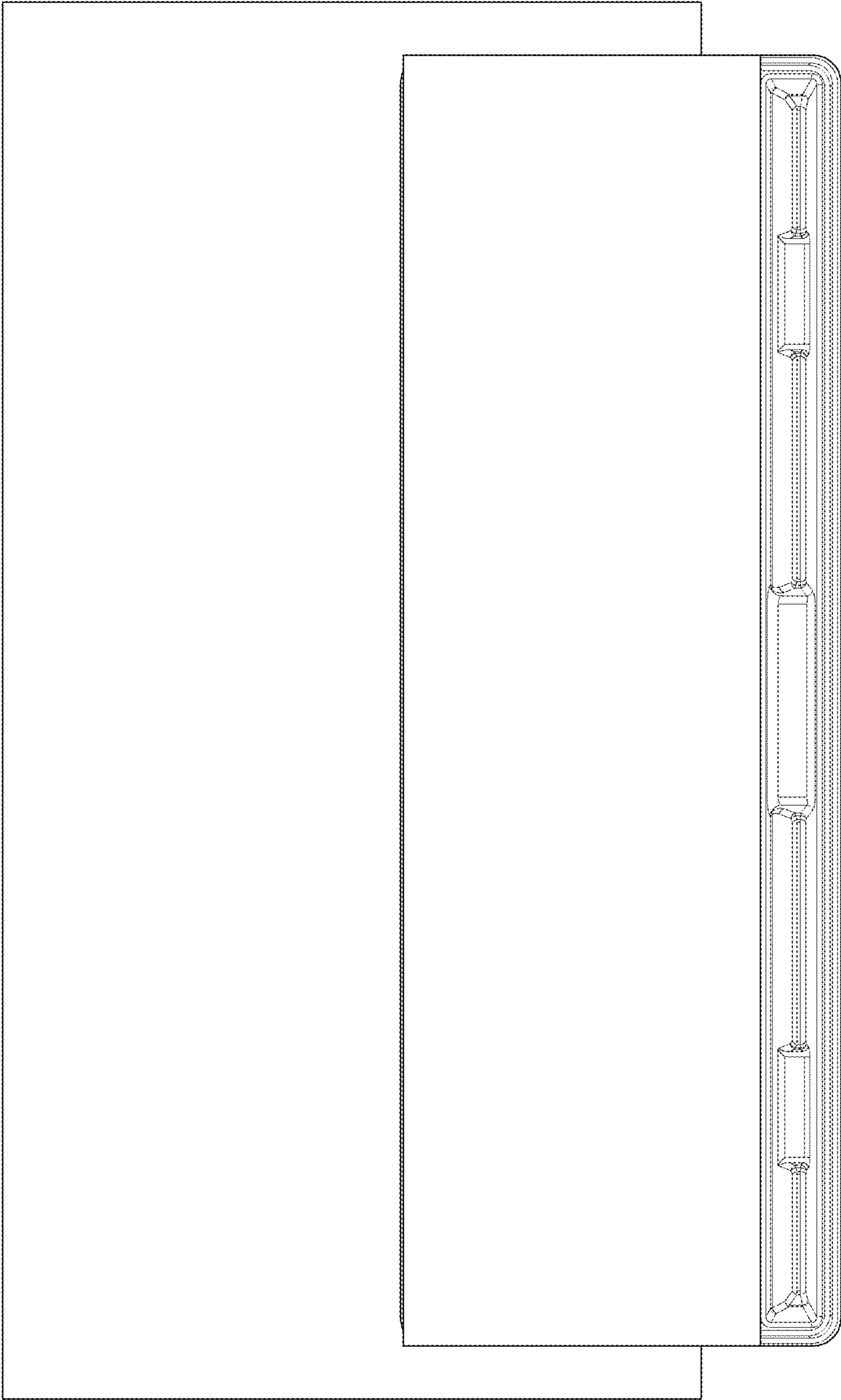


FIG. 4

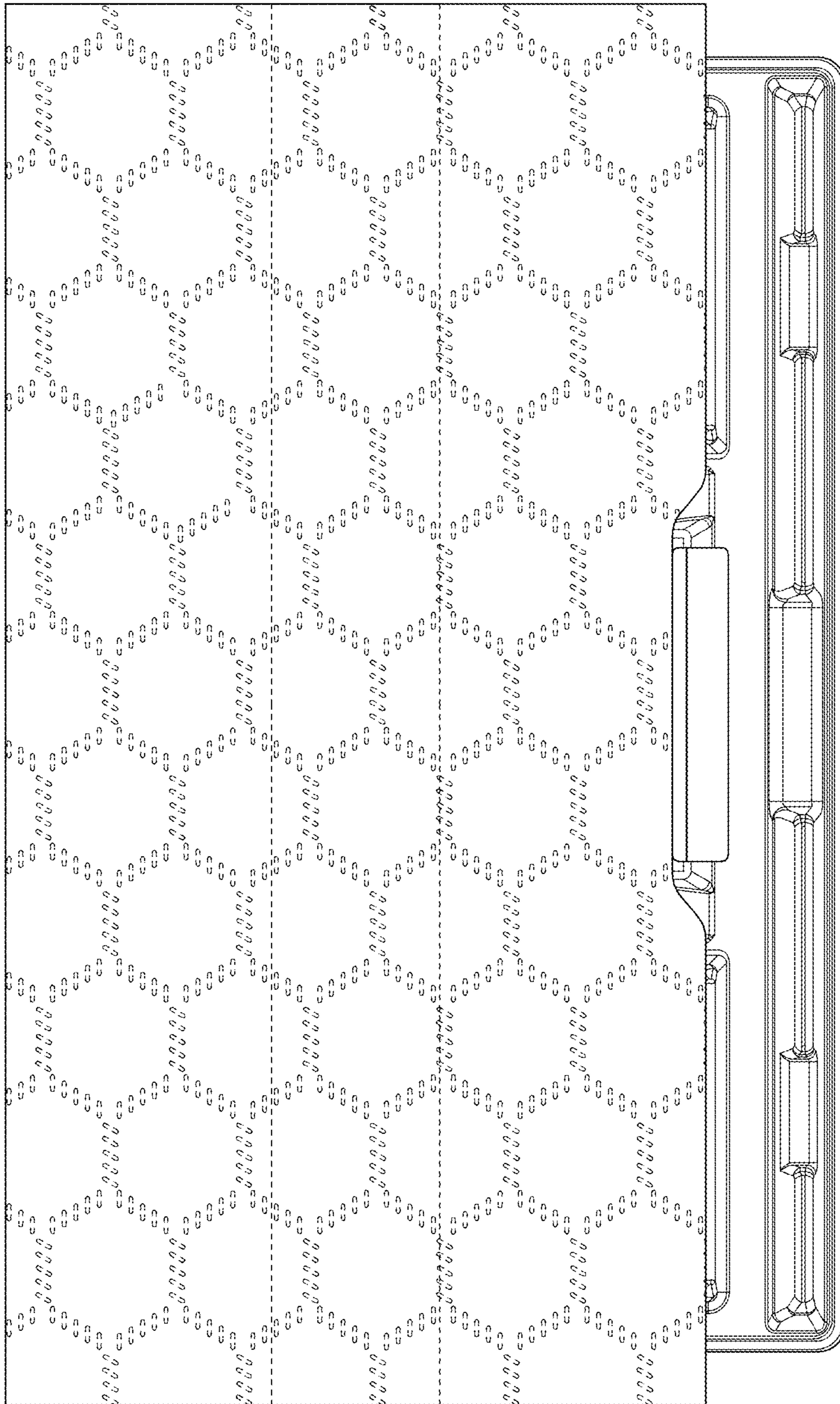


FIG. 5

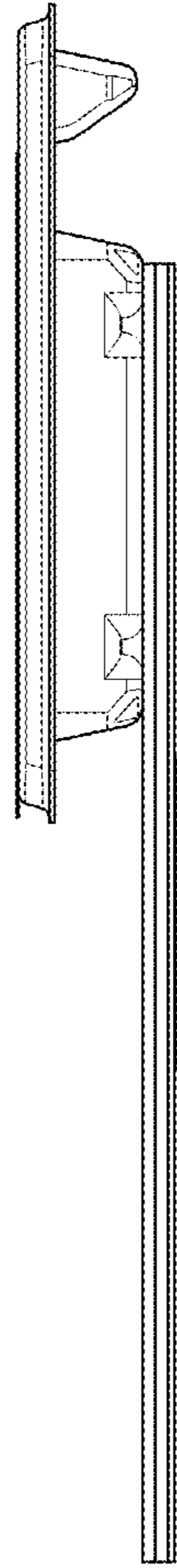


FIG. 6

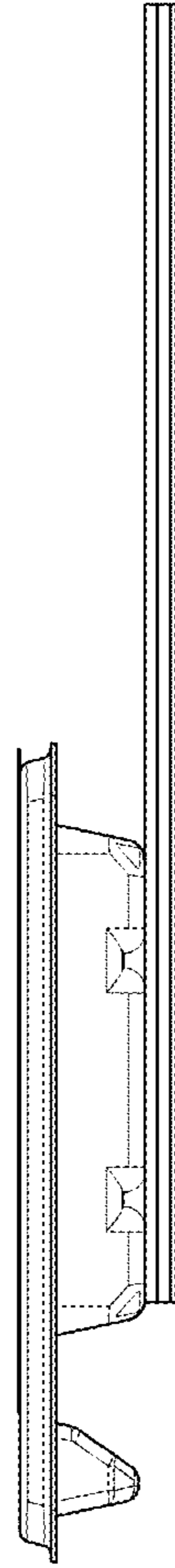


FIG. 7