



US00D948146S

(12) **United States Design Patent**
Bloemendaal

(10) **Patent No.:** **US D948,146 S**
(45) **Date of Patent:** **** Apr. 5, 2022**

- (54) **VACUUM CLEANER**
- (71) Applicant: **BISSELL Inc.**, Grand Rapids, MI (US)
- (72) Inventor: **Colin J. Bloemendaal**, Grand Rapids, MI (US)
- (73) Assignee: **BISSELL Inc.**, Grand Rapids, MI (US)
- (**) Term: **15 Years**
- (21) Appl. No.: **29/806,508**
- (22) Filed: **Sep. 3, 2021**

Related U.S. Application Data

- (62) Division of application No. 29/690,892, filed on May 13, 2019, now Pat. No. Des. 933,320.
- (51) **LOC (13) Cl.** **15-05**
- (52) **U.S. Cl.**
USPC **D32/31**
- (58) **Field of Classification Search**
USPC ... D32/14-15, 17-19, 21-23, 25, 31-35, 38, D32/45, 49, 51-52; D8/51, 70, 80-81,
(Continued)

(56) **References Cited**

U.S. PATENT DOCUMENTS

- D280,033 S * 8/1985 Miyamoto D32/18
 - D348,548 S * 7/1994 Pino D32/18
- (Continued)

FOREIGN PATENT DOCUMENTS

- CN 304359439 * 11/2017
 - CN 305131641 4/2019
- (Continued)

OTHER PUBLICATIONS

Bissell, 2746A ICONpet Pro Cordless Stick Vacuum Cleaner, available in Amazon.ca, date first available Oct. 23, 2019 [online],

[site visited Jan. 25, 2022], Available from the internet URL: https://www.amazon.ca/BISSELL-ICONpet-Cordless-Cleaner-2746A/dp/B07W4S2LDX/ref=sr_1_24 (Year: 2019).*

(Continued)

Primary Examiner — Amy C Wierenga
Assistant Examiner — Jennylou M Binas

(74) *Attorney, Agent, or Firm* — Warner Norcross + Judd LLP

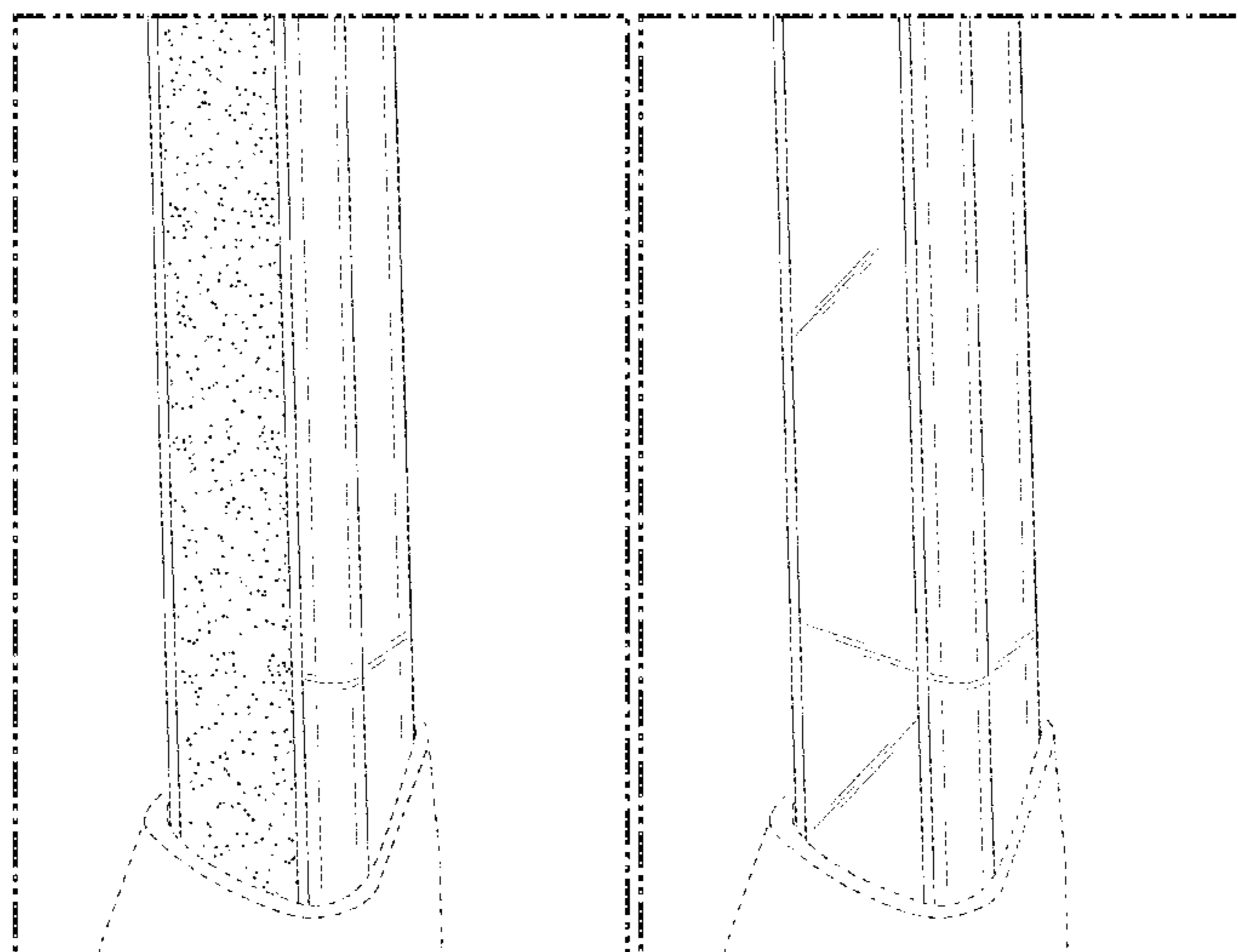
(57) **CLAIM**

The ornamental design for a vacuum cleaner, as shown and described.

DESCRIPTION

FIG. 1 is a front perspective view of a first embodiment of a vacuum cleaner showing my new design;
 FIG. 2 is a front view thereof;
 FIG. 3 is a rear view thereof;
 FIG. 4 is a left side view thereof, the right side being a mirror image;
 FIG. 5 is an enlarged view of the vacuum cleaner shown within the area designed as 5 in FIG. 1;
 FIG. 6 is an enlarged view of the vacuum cleaner shown within the area designed as 6 in FIG. 2;
 FIG. 7 is a front perspective view of a second embodiment of the vacuum cleaner;
 FIG. 8 is a front view thereof;
 FIG. 9 is a rear view thereof;
 FIG. 10 is a left side view thereof, the right side being a mirror image;
 FIG. 11 is an enlarged view of the vacuum cleaner shown within the area designed as 11 in FIG. 7; and,
 FIG. 12 is an enlarged view of the vacuum cleaner shown within the area designed as 12 in FIG. 8.
 The dot-dashed broken line in the drawings shows the boundary of the enlarged view and forms no part of the claimed design. The oblique shade lines in the second embodiment indicate a reflective, glossy or shiny surface.

1 Claim, 12 Drawing Sheets



(58) **Field of Classification Search**

USPC D8/307; D9/711; D10/114.1, 114.9;
 D21/402; D23/213, 223–224, 226, 266;
 D24/108
 CPC . A46B 11/063; A47L 5/28; A47L 5/34; A47L
 5/36; A47L 5/365; A47L 9/02; A47L
 9/127; A47L 9/24; A47L 9/242; A47L
 9/244; A47L 9/248; A47L 9/327; A47L
 11/30; A47L 11/40; A47L 11/4075; A47L
 5/24; A47L 5/30; A47L 9/04; A47L
 9/102; A47L 9/106; A47L 11/302; A47L
 11/4005; A47L 11/4008; A47L 11/4044;
 B08B 9/02; E03C 1/306; F16B 7/00;
 F16B 7/10; F16B 7/105; F16B 7/14;
 F16L 27/12; B04C 5/185; B23Q 11/0046;
 B23Q 11/0071; E04H 4/1636
 See application file for complete search history.

D922,010 S 6/2021 Lin
 D924,503 S 7/2021 Xu
 D926,405 S * 7/2021 Haverkamp D32/31
 D932,124 S * 9/2021 Lin D32/22
 D932,719 S * 10/2021 Liu D32/32
 D933,320 S * 10/2021 Bloemendaal D32/22
 D939,798 S * 12/2021 Yoon D32/22
 D940,417 S * 1/2022 Niedzwecki D32/22
 2016/0174789 A1 6/2016 Han et al.
 2019/0208974 A1 7/2019 Oka et al.

FOREIGN PATENT DOCUMENTS

CN 305767032 5/2020
 CN 305813229 * 5/2020
 IN 315765-001-0001 * 5/2019
 IN 314297-001-0001 11/2019
 JP D1657413 4/2020
 JP D1671946 * 11/2020
 JP D1671998 * 11/2020
 KR 301085156.0000 12/2020

(56) **References Cited**

U.S. PATENT DOCUMENTS

D731,130 S 6/2015 Dyson et al.
 D771,890 S 11/2016 Kim
 D778,015 S * 1/2017 Miller D32/31
 9,675,218 B2 6/2017 Kim et al.
 D800,980 S 10/2017 Carter et al.
 D819,282 S 5/2018 Kim et al.
 9,986,880 B2 6/2018 Conrad
 D857,312 S * 8/2019 Chavana, Jr. D32/17
 D857,315 S * 8/2019 Chavana, Jr. D32/25
 D861,268 S * 9/2019 Meyer D32/22
 D862,011 S 10/2019 Kim et al.
 D902,510 S 11/2020 Knight Adams
 D905,360 S 12/2020 Ma
 D905,919 S 12/2020 Niedzwecki et al.
 D908,990 S 1/2021 Chen et al.
 D910,945 S * 2/2021 Miller D32/31
 D912,344 S 3/2021 Choi et al.
 D922,008 S 6/2021 Cole et al.

OTHER PUBLICATIONS

Black+Decker BSV2020G Powerseries™ Extreme™ Cordless Stick Vacuum, available in Amazon.ca, date first available Jun. 5, 2020 [online], [site visited Jan. 25, 2022], Available from the internet URL: https://www.amazon.ca/dp/B07WFBKG6C/ref=sspa_dk_detail_10?th=1 (Year: 2020).*

Iris Ohyama IC-SLDCP10-R Cordless, available in Amazon.co.jp, date first available Feb. 26, 2020 [online], [site visited Feb. 22, 2021], Available from the internet URL: https://www.amazon.co.jp/dp/B0856B39L9/ref=cm_sw_em_r_mt_imm_awdb_NRDC6NE4VDN965J2F08R (Year: 2020).

Eureka Rapid Clean, available in Amazon.com, customer review oldest date Feb. 16, 2019 [online], [site visited Feb. 22, 2021], Available from the internet URL: https://www.amazon.com/dp/B07SMJJTL7/ref=cm_sw_r_em_apa_fabc_6E27GFNGZ3AAWYD6394?_encoding=UTF8&psc=1 (Year: 2019).

* cited by examiner

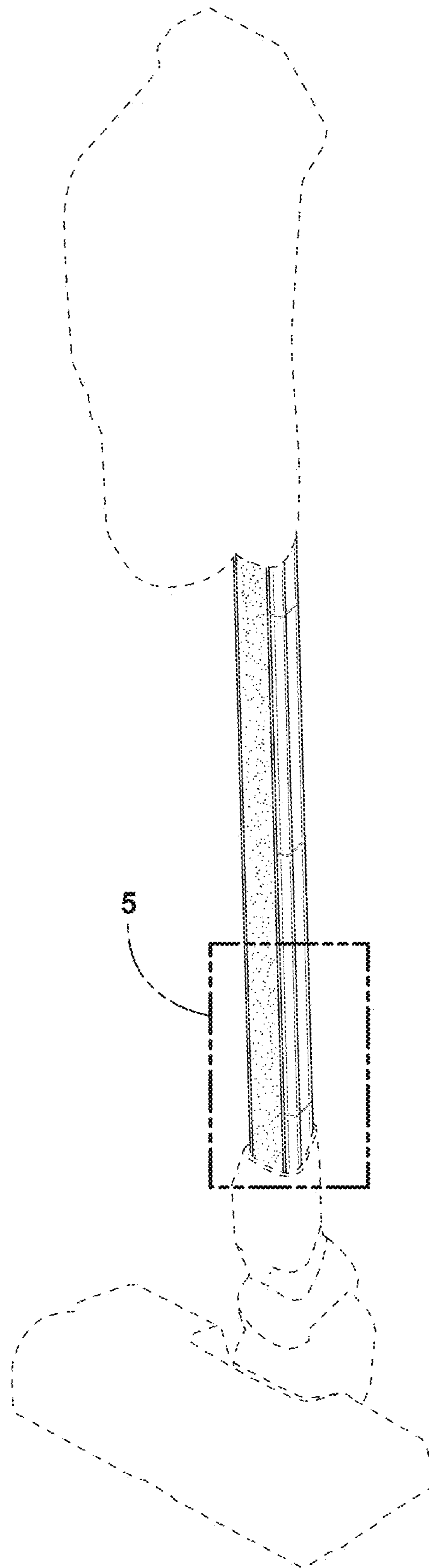


FIG. 1

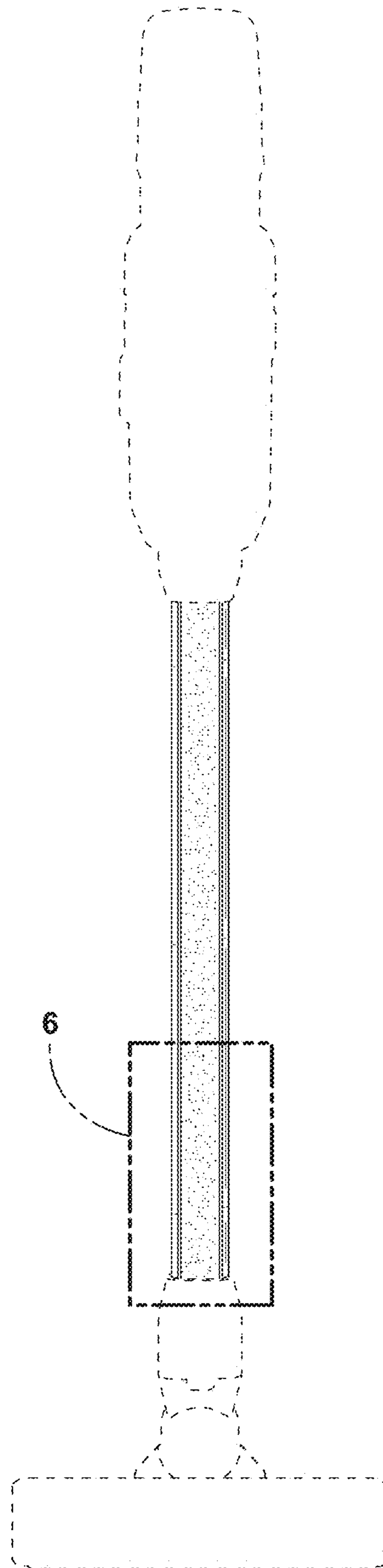


FIG. 2

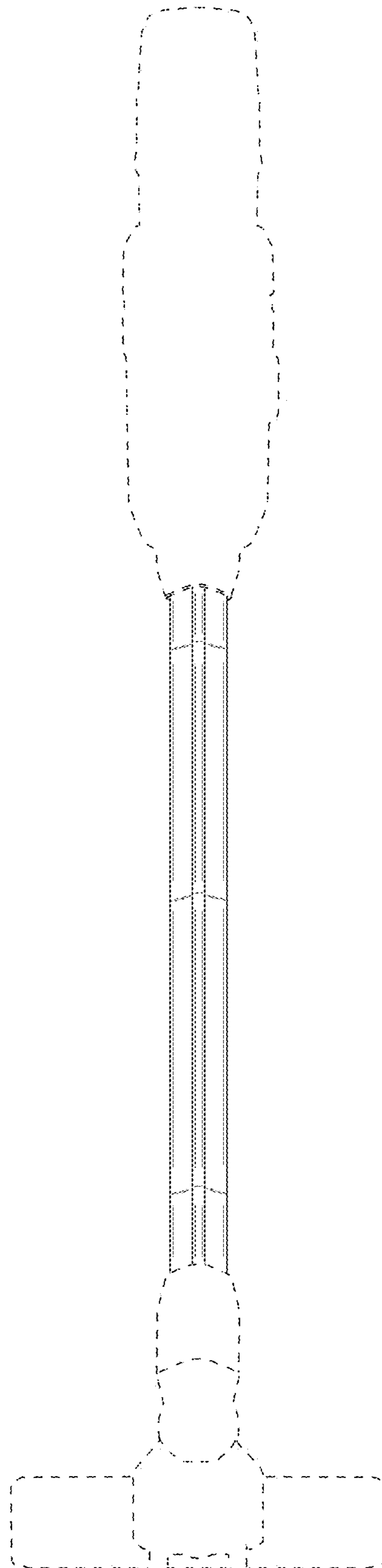


FIG. 3

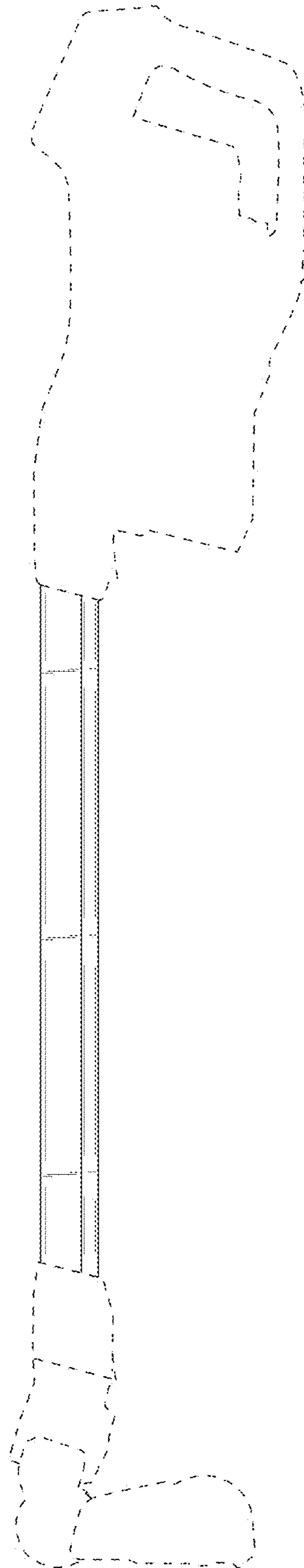


FIG. 4

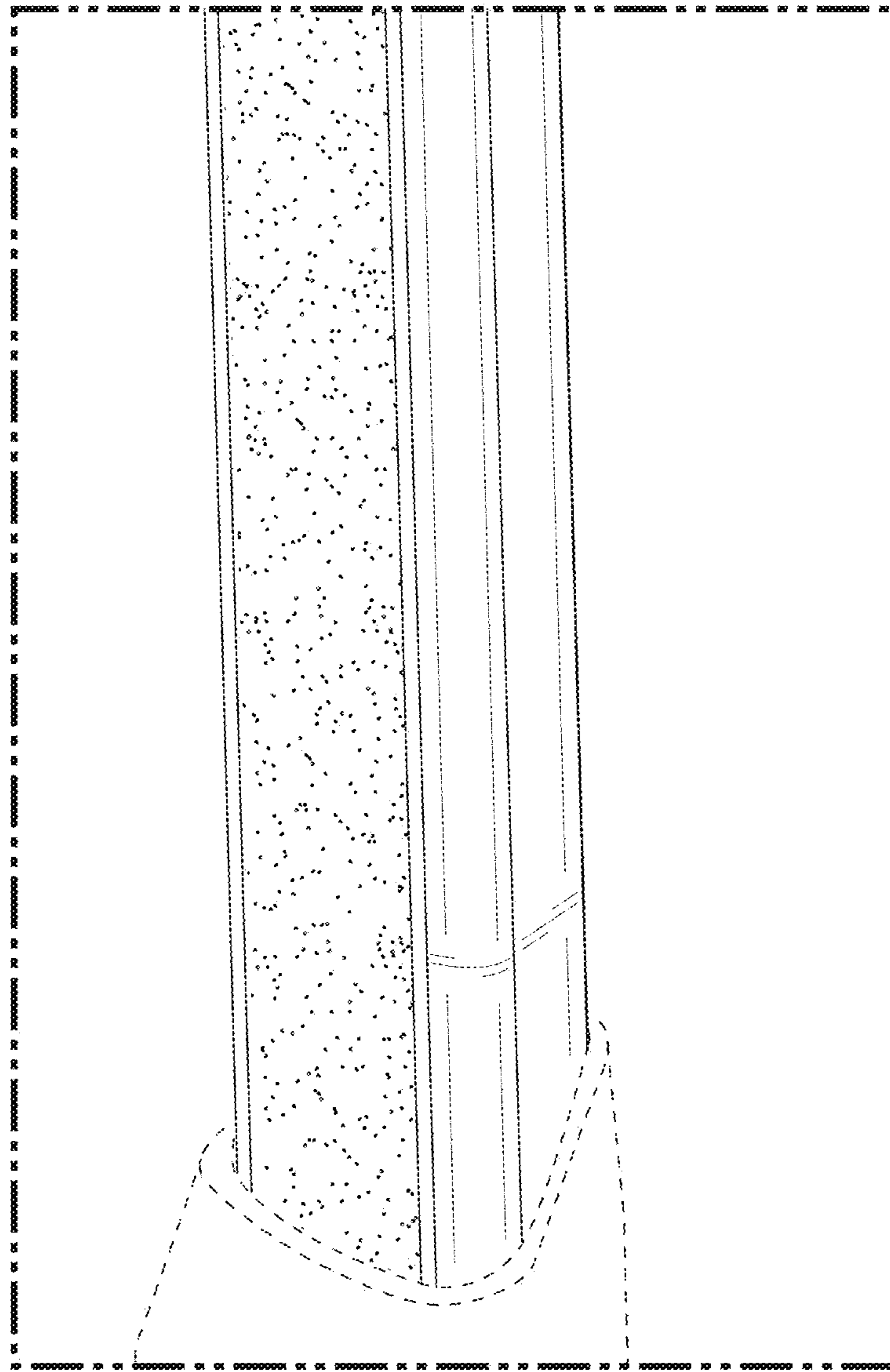


FIG. 5

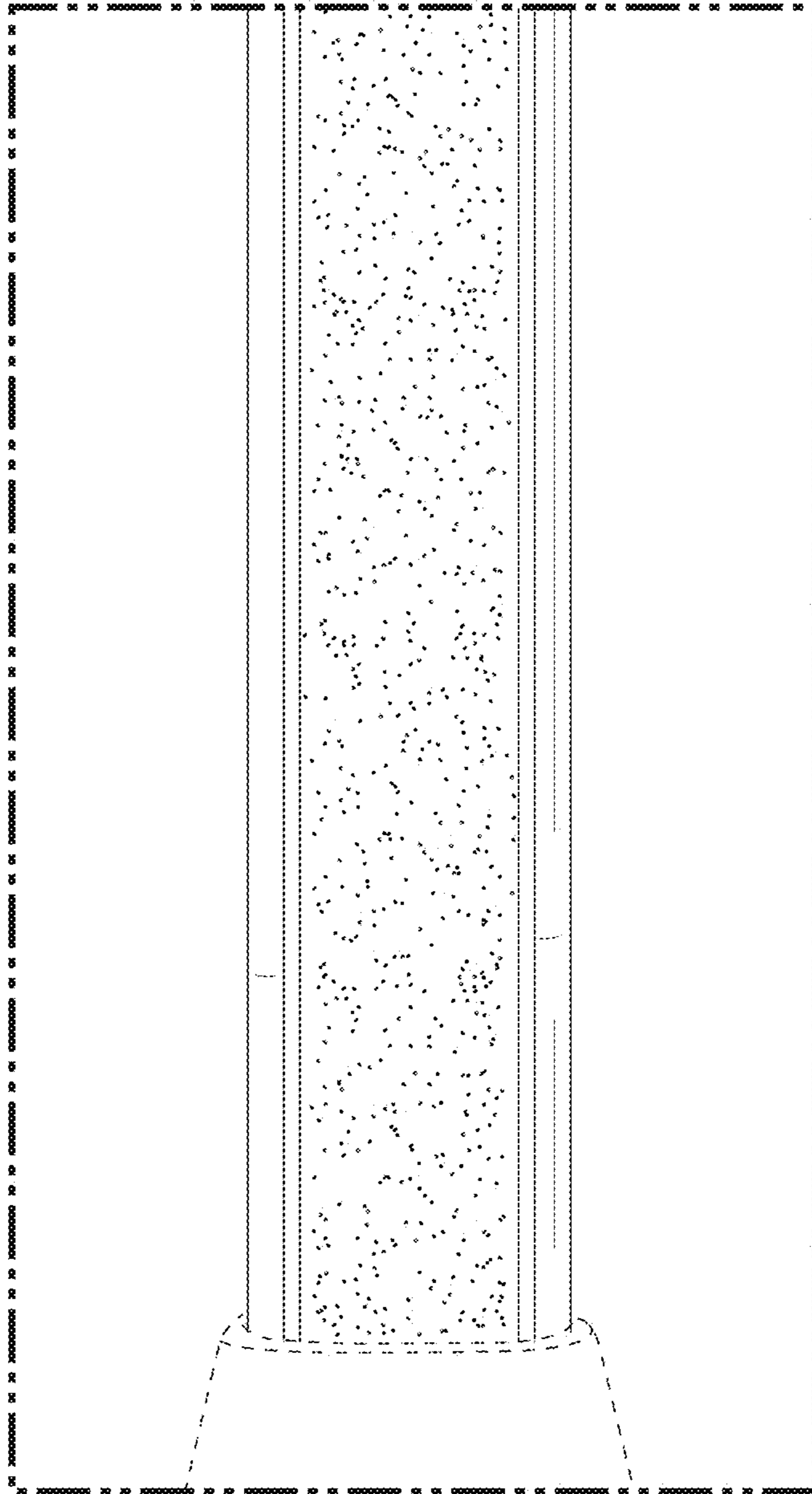


FIG. 6

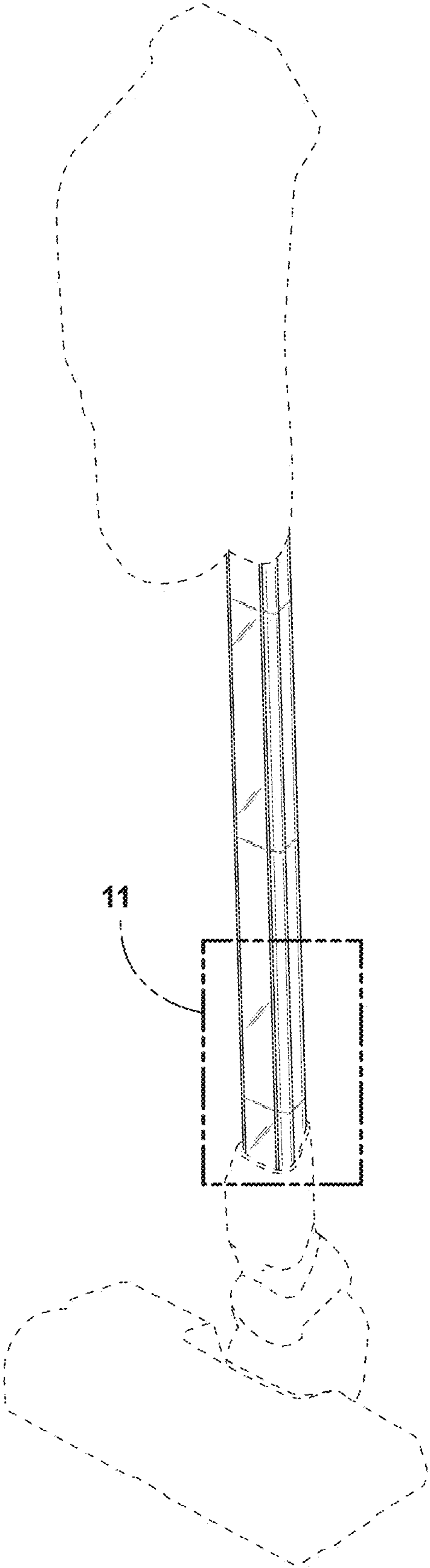


FIG. 7

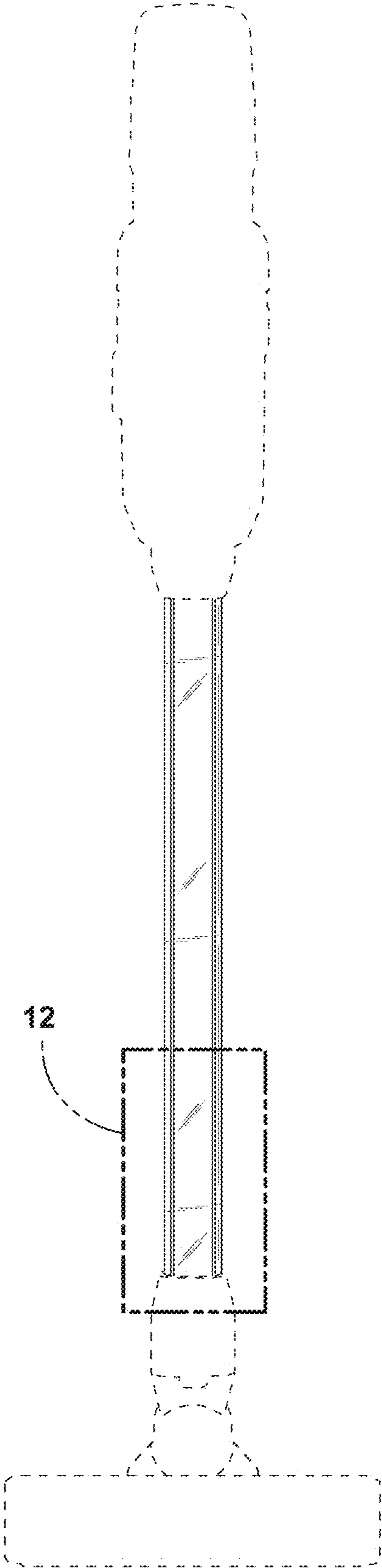


FIG. 8

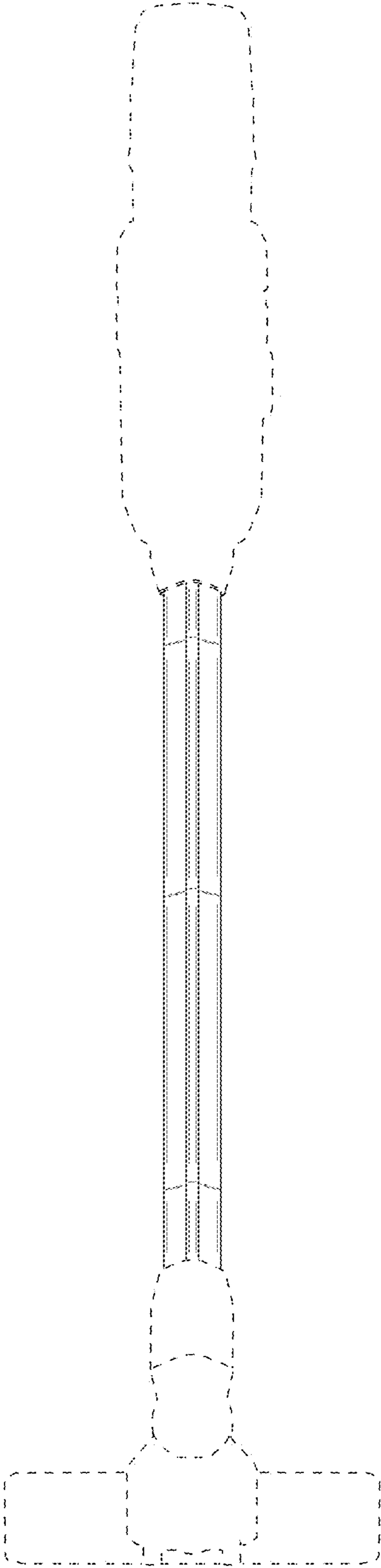


FIG. 9

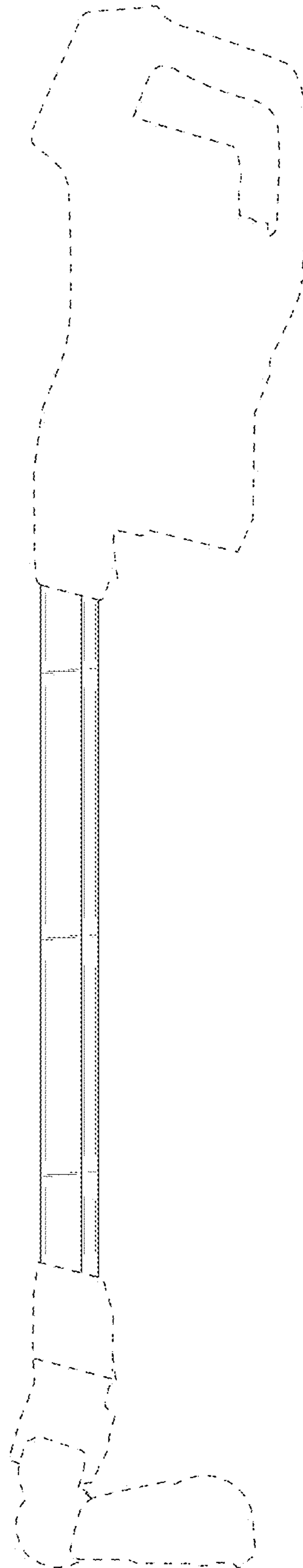


FIG. 10

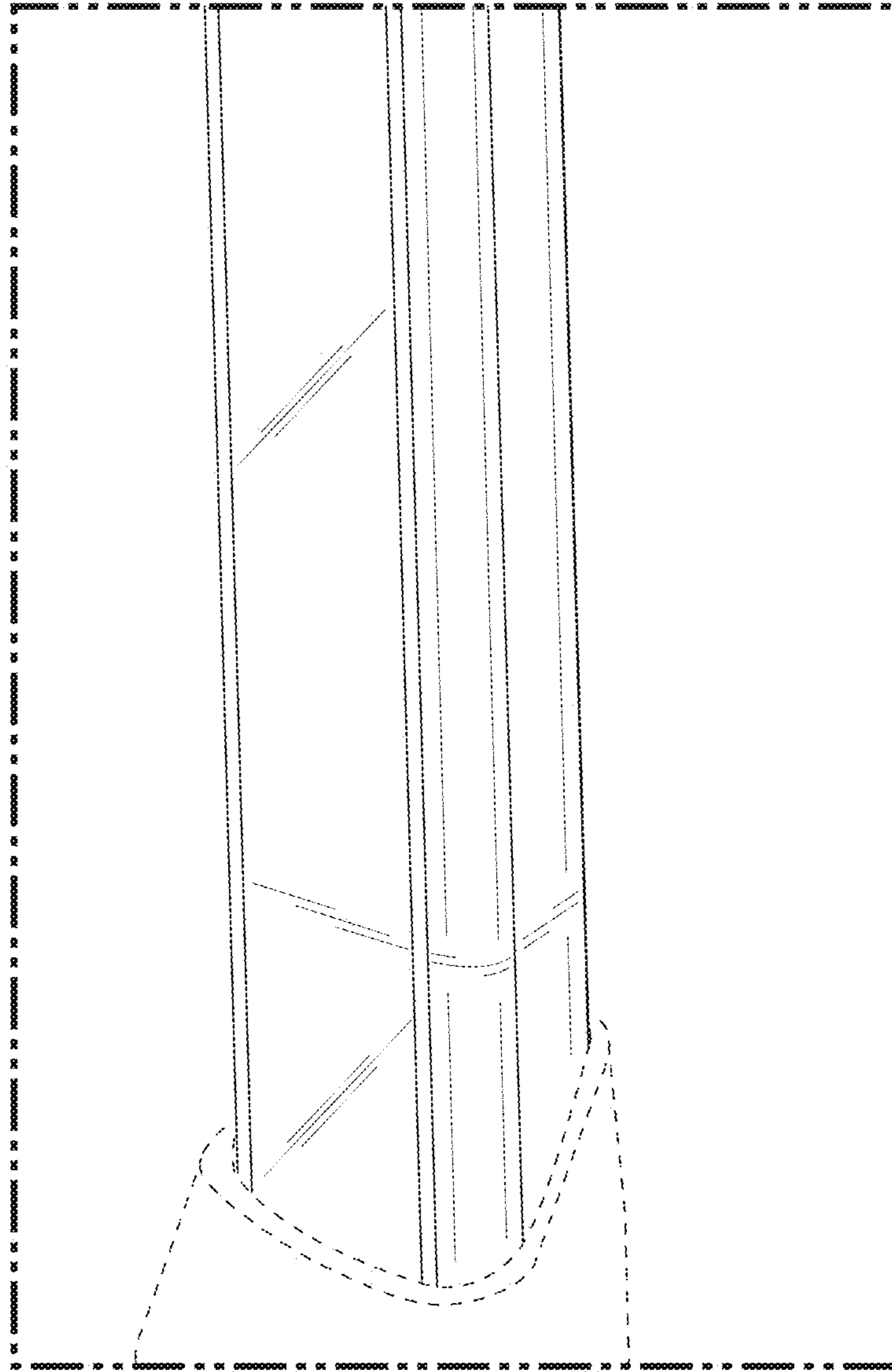


FIG. 11

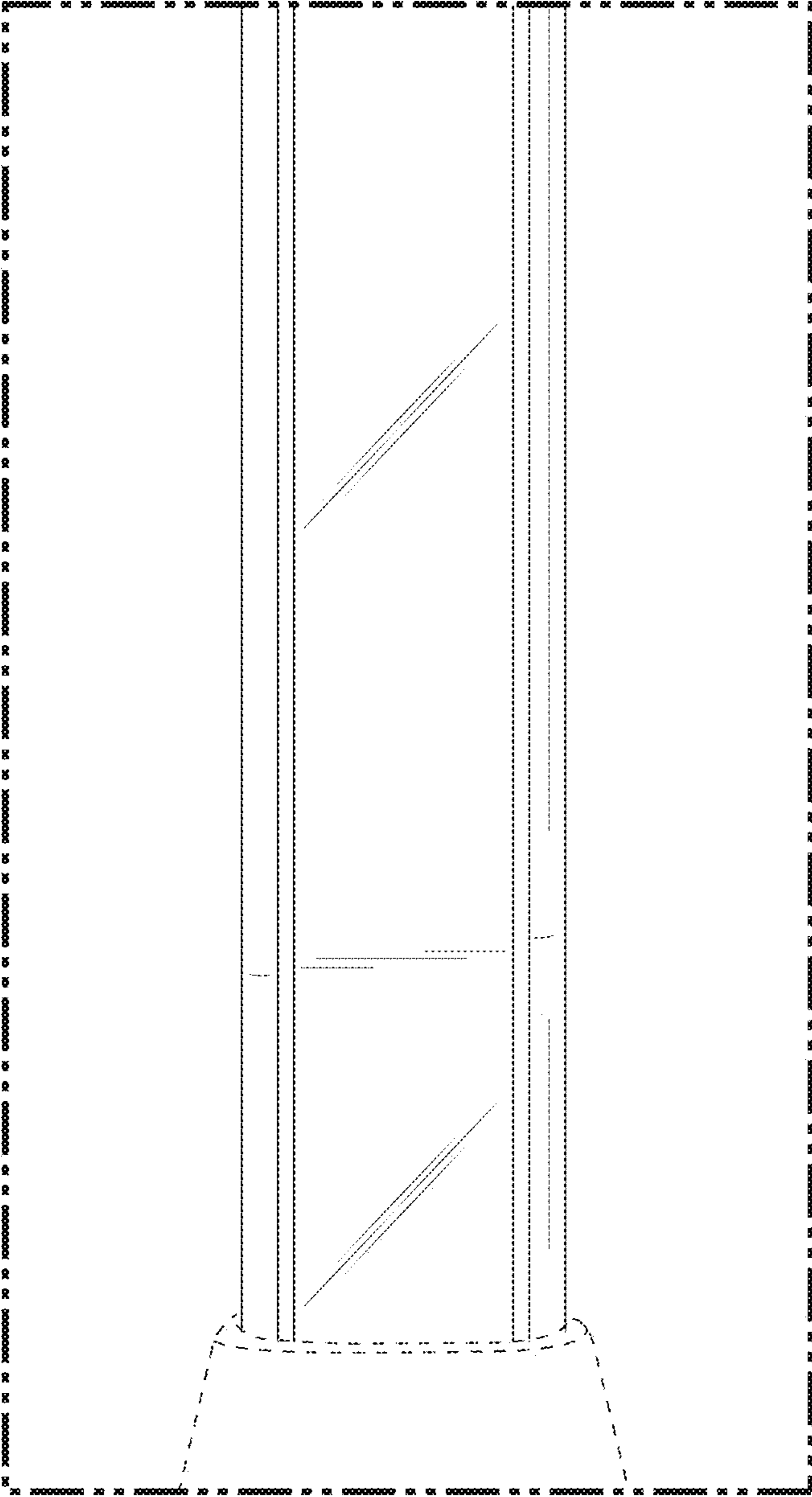


FIG. 12