

US00D948145S

(12) **United States Design Patent**
He

(10) **Patent No.:** **US D948,145 S**

(45) **Date of Patent:** **** Apr. 5, 2022**

(54) **VACUUM CLEANER**

(71) Applicant: **TINECO INTELLIGENT TECHNOLOGY CO., LTD.**, Suzhou (CN)

(72) Inventor: **Wujia He**, Suzhou (CN)

(73) Assignee: **TINECO INTELLIGENT TECHNOLOGY CO., LTD.**, Suzhou (CN)

(**) Term: **15 Years**

(21) Appl. No.: **29/696,667**

(22) Filed: **Jun. 28, 2019**

(30) **Foreign Application Priority Data**

Feb. 21, 2019 (CN) 201930076293.5

(51) **LOC (13) Cl.** **15-05**

(52) **U.S. Cl.**
USPC **D32/31; D32/18**

(58) **Field of Classification Search**
USPC D32/17, 18, 21, 22, 31; D21/526
CPC A47L 5/24; A47L 5/28; A47L 5/30; A47L 5/34; A47L 5/36; A47L 9/04; A47L 9/102; A47L 9/106; A47L 11/30; A47L 11/302; A47L 11/4005; A47L 11/4008; A47L 11/4044; B04C 5/185; B23Q 11/0046; B23Q 11/0071; E04H 4/1636
See application file for complete search history.

(56) **References Cited**

U.S. PATENT DOCUMENTS

D342,001 S * 12/1993 Hibbert D17/20
D598,428 S * 8/2009 Fujiwara D14/214
D598,899 S * 8/2009 Tkachuk D14/216
D697,898 S * 1/2014 Park D14/209.1
D729,771 S * 5/2015 Hoehn D14/215
D751,527 S * 3/2016 Hinokio D14/204

D803,829 S * 11/2017 Lee D14/341
D803,831 S * 11/2017 Kim D14/344
D807,318 S * 1/2018 Folkmann D14/149
D831,661 S * 10/2018 Yao D14/447

(Continued)

FOREIGN PATENT DOCUMENTS

CN 304683815 * 6/2018
CN 306085973 * 10/2020

(Continued)

OTHER PUBLICATIONS

Braun Silk-Expert IPL BD3005, available in Amazon.co.uk date first available Aug. 11, 2017 [online], [site visited Sep. 14, 2021], Available from the internet URL: <https://www.amazon.co.uk/Braun-Silk-Expert-Permanent-Visible-Removal/dp/B06XF561LH?th=1> (Year: 2017).*

(Continued)

Primary Examiner — Dana K Weiland

Assistant Examiner — Jennylou M Binas

(74) *Attorney, Agent, or Firm* — Maschoff Brennan

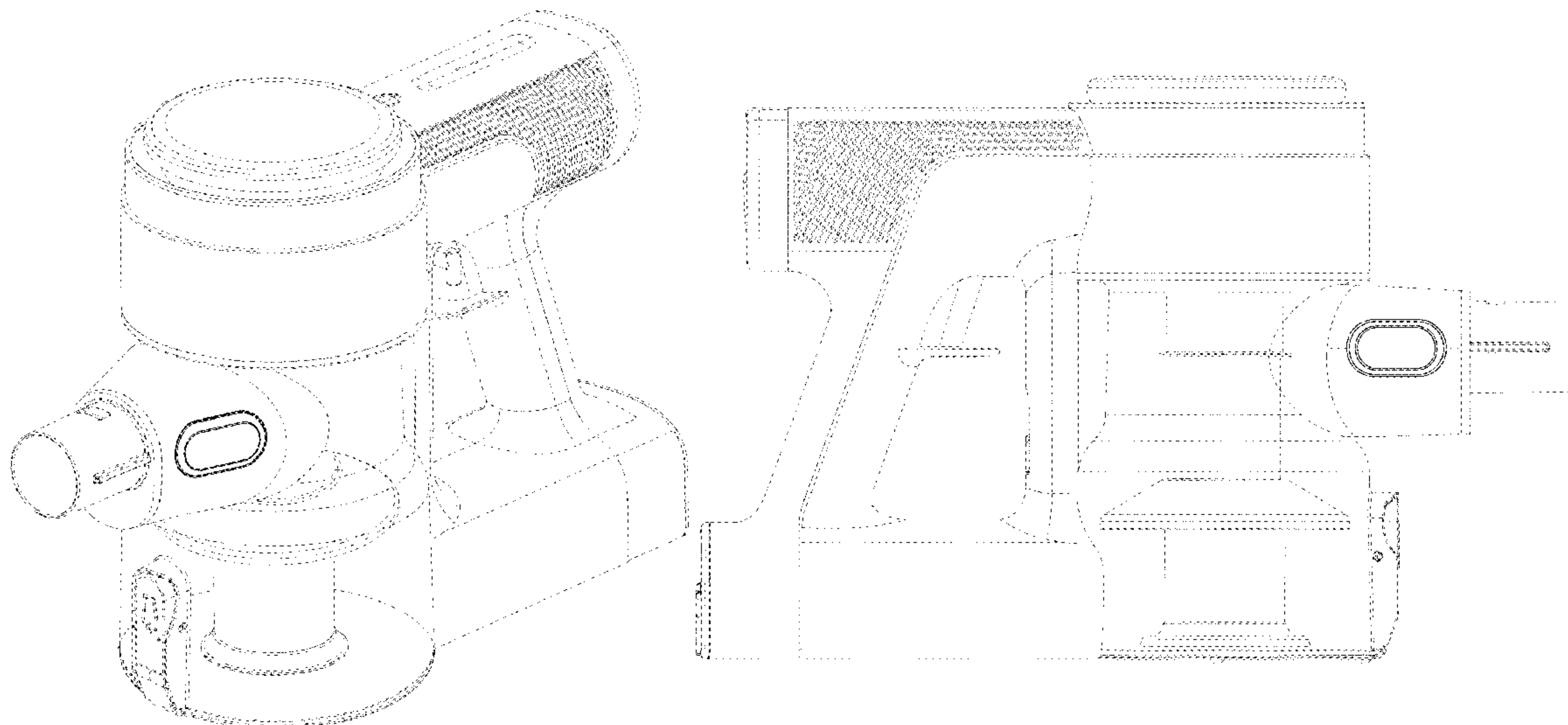
(57) **CLAIM**

I claim the ornamental design for a vacuum cleaner, as shown and described.

DESCRIPTION

FIG. 1 is a perspective view of a vacuum cleaner, showing the new design;
FIG. 2 is a front elevational view thereof;
FIG. 3 is a rear elevational view thereof;
FIG. 4 is a left-side, elevational view thereof;
FIG. 5 is a right-side, elevational view thereof;
FIG. 6 is a top plan view thereof; and,
FIG. 7 is a bottom plan view thereof.
The broken lines shown in the drawings illustrate portions of the vacuum cleaner that form no part of claimed design.

1 Claim, 6 Drawing Sheets



(56)

References Cited

U.S. PATENT DOCUMENTS

D845,309	S	*	4/2019	Goldstein	D14/447
D849,012	S	*	5/2019	Yao	D14/447
D858,509	S	*	9/2019	Yao	D14/253
D868,739	S	*	12/2019	Ryu	D14/216
D871,351	S	*	12/2019	Lee	D13/156
D874,458	S	*	2/2020	Akana	D14/344
D877,741	S	*	3/2020	Leeds-Frank	D14/447
D877,742	S	*	3/2020	Yao	D14/447
D894,716	S	*	9/2020	Gutierrez	D8/353
D894,891	S	*	9/2020	Zhang	D14/253
D898,703	S	*	10/2020	Landerus	D14/217
D898,729	S	*	10/2020	Leeds Frank	D14/253
D901,482	S	*	11/2020	Koo	D14/253
D907,001	S	*	1/2021	Kim	D14/171
D909,985	S	*	2/2021	Landerus	D14/203.1
D912,005	S	*	3/2021	Zhang	D14/155
D917,472	S	*	4/2021	Kwon	D14/348
D918,174	S	*	5/2021	Czaniecki	D14/216
D918,752	S	*	5/2021	Lyu	D10/104.1
D919,414	S	*	5/2021	Lee	D8/352
D919,466	S	*	5/2021	Lyu	D10/104.1
D922,335	S	*	6/2021	Lu	D13/168
D923,723	S	*	6/2021	Yang	D21/578
D927,061	S	*	8/2021	Leon Duque	D27/167
D929,690	S	*	8/2021	Cheng	A47L 9/009 D32/21
D930,295	S	*	9/2021	Xu	D32/18
D930,925	S	*	9/2021	Wong	D32/17
D932,122	S	*	9/2021	Xu	D32/18
D932,123	S	*	9/2021	Li	D32/21
D932,124	S	*	9/2021	Lin	D32/22
D932,718	S	*	10/2021	Yan	D32/21
D933,317	S	*	10/2021	Liu	D32/21
D933,319	S	*	10/2021	Lyu	D32/21
D935,117	S	*	11/2021	Man	D32/17
D935,710	S	*	11/2021	Nakamura	D32/18
D935,712	S	*	11/2021	Wang	D32/21
D937,509	S	*	11/2021	Walraven	D32/17

FOREIGN PATENT DOCUMENTS

EM	006109617-0001	*	2/2019
EM	006109617-0002	*	2/2019
EM	006597027-0001	*	7/2019
EM	006597050-0001	*	7/2019

OTHER PUBLICATIONS

FIDAC IPL Hair Removal Device available in Amazon.co.uk, date 1st available Jan. 27, 2021 [online], [site visited Sep. 14, 2021], Available from internet URL: https://www.amazon.co.uk/FIDAC-Painless-Permanent-Whole-Body-Non-Invasive/dp/B08SC25SHZ/ref=sr_1_5?dchild=1&keywords=B08SC25SHZ&qid=1631641342&sr=8-5 (Year: 2021).*

Nekteck Shiatsu Foot Massager Machine with Soothing Heat, available in Amazon.com, date 1st available Dec. 22, 2019 [online], [site visited Sep. 14, 2021], Available from the internet URL: https://www.amazon.com/Nekteck-Compression-Circulation-Adjustable-Intensity/dp/B07WYX1D4H/ref=psdc_3767541_t5_B07S76JXJ5 (Year: 2019).*

Ozone Generator, available in newegg.com, announced Year Jul. 7, 2021 [online], [site visited Sep. 14, 2021], Internet URL: <https://www.newegg.com/p/101-00TD-00001> (Year: 2021).*

Permanent Hair Removal, available in Amazon.ca date first available Jul. 16, 2020 [online], [site visited Sep. 14, 2021], Available from the internet URL: <https://www.amazon.ca/Removal-Permanent-System-Painless-Flashes/dp/B08HRWPJBD?th=1> (Year: 2020).*

Pocketalk Classic Language Translator Device, available in Amazon.com, date first available May 19, 2021 [online], [site visited Sep. 14, 2021], Available from the internet URL: https://www.amazon.com/dp/B095DXBPHX/ref=cm_sw_r_em_apa_glt_fabc_17DEC56RDA3FNJE51FRP?_encoding=UTF8&psc=1 (Year: 2021).*

Dyson V11 Torque Drive Vs Tineco Pure One S12 Plus Cordless Vacuum Battle, announced in YouTube on Jun. 14, 2019 [online], [site visited Sep. 4, 2021], Available from the internet URL: <https://www.youtube.com/watch?v=r99cgnjghFw> (Year: 2019).*

Vacuum Cleaner, available in Amazon.ca date first available Oct. 24, 2020 [online], [site visited Sep. 14, 2021], Available from the internet URL: <https://www.amazon.ca/Vacuum-Cleaner-Strong-Suction-Filters/dp/B08LSHLDBB> (Year: 2020).*

* cited by examiner

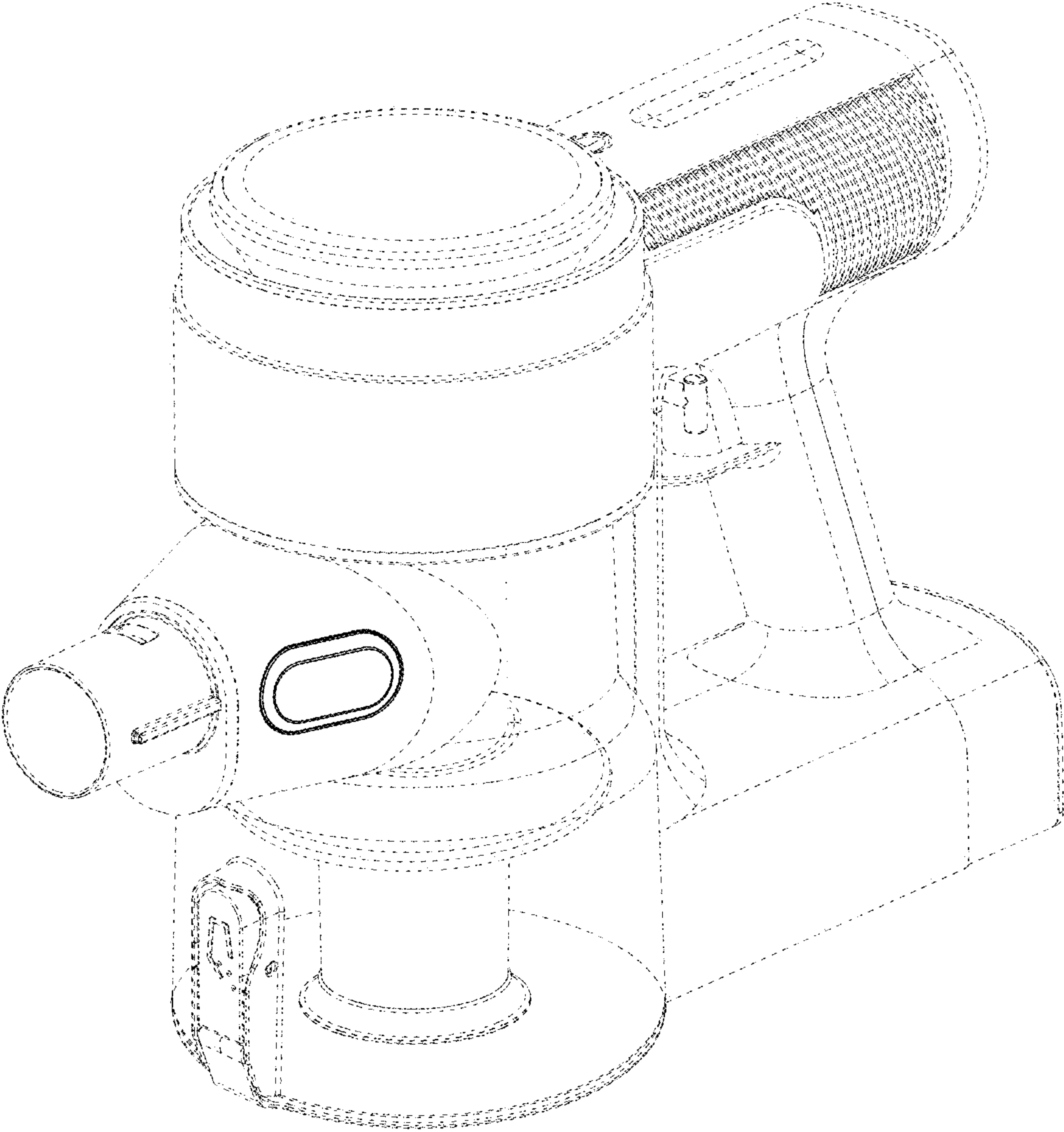


FIG.1

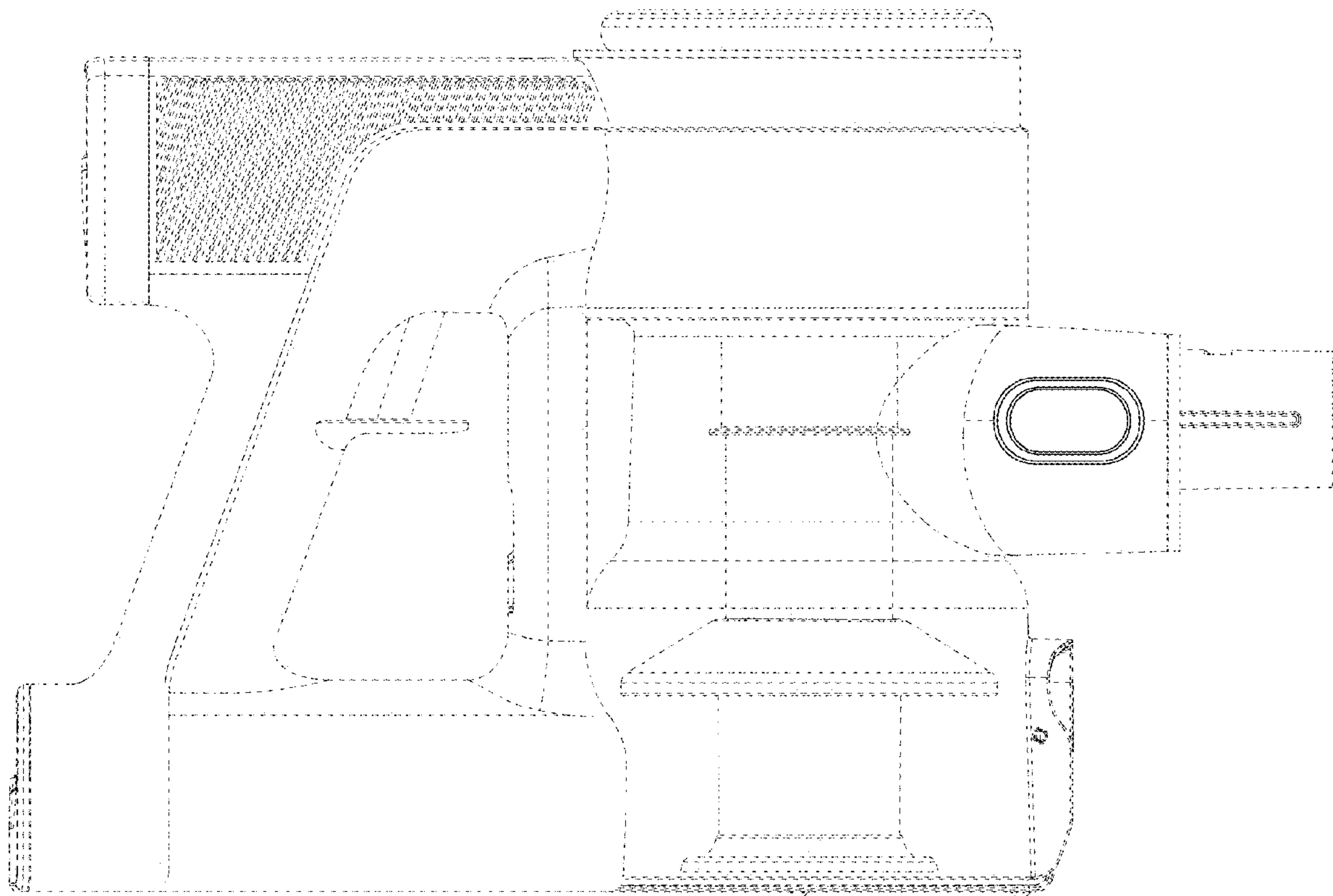


FIG.2

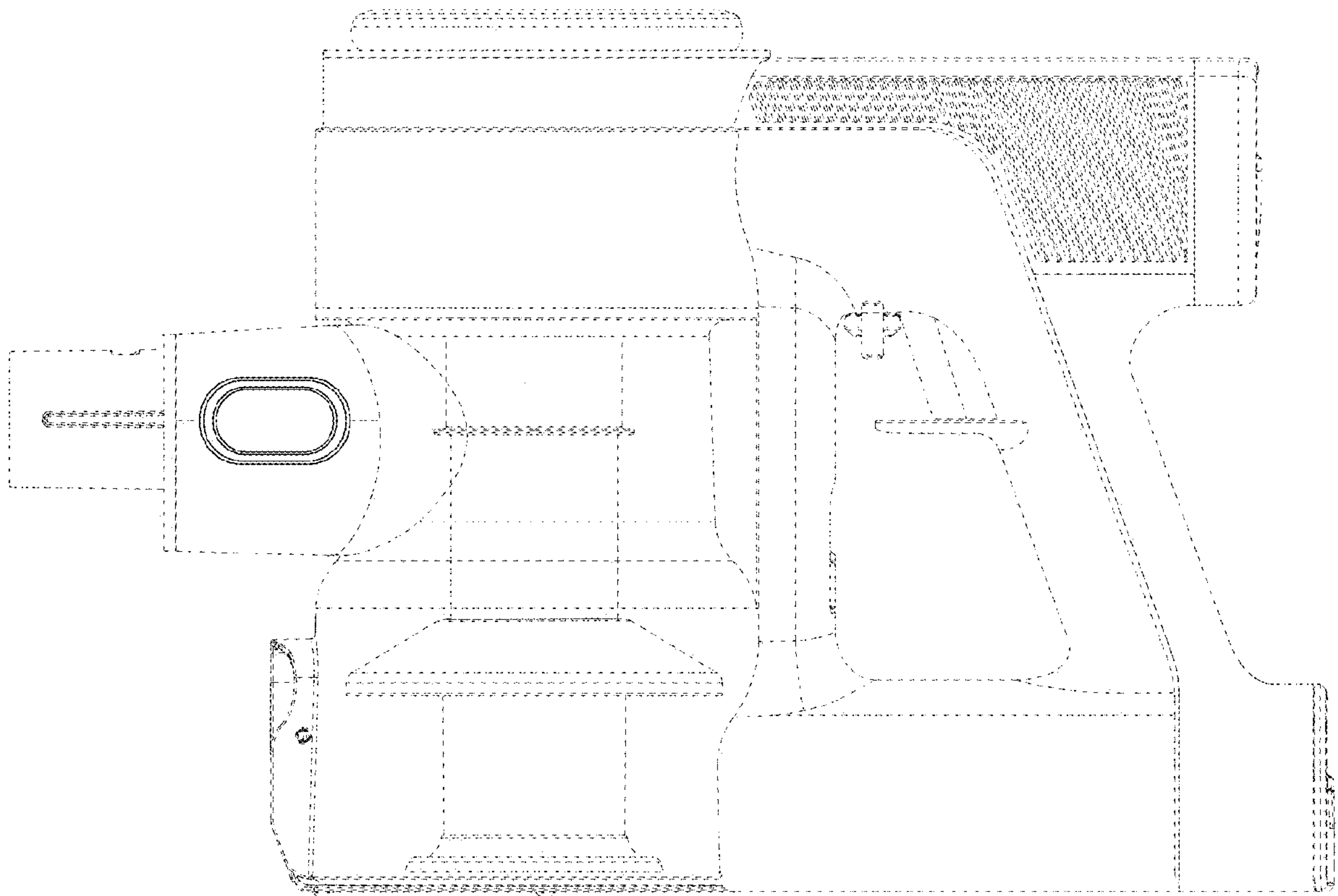


FIG.3

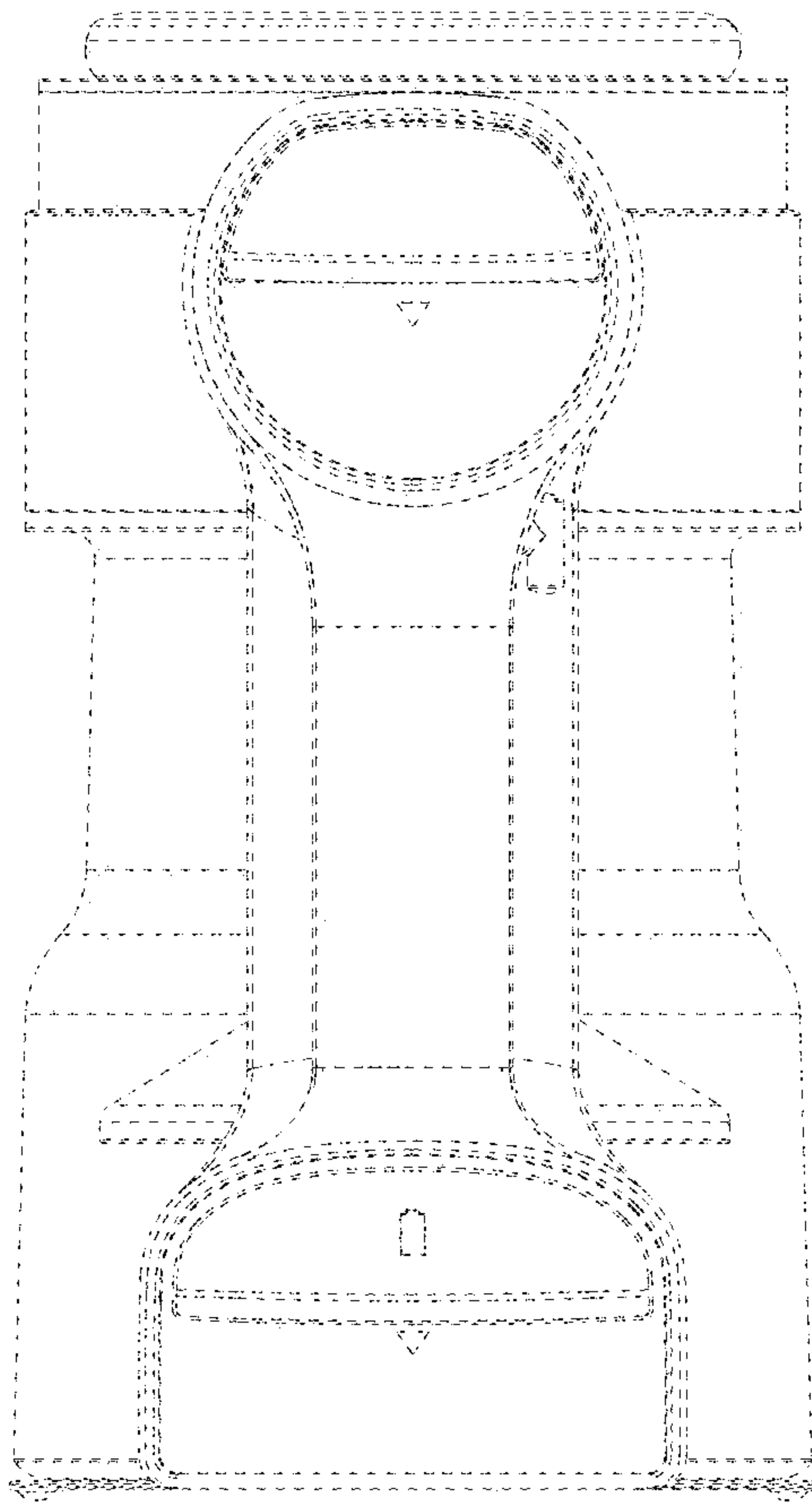


FIG.4

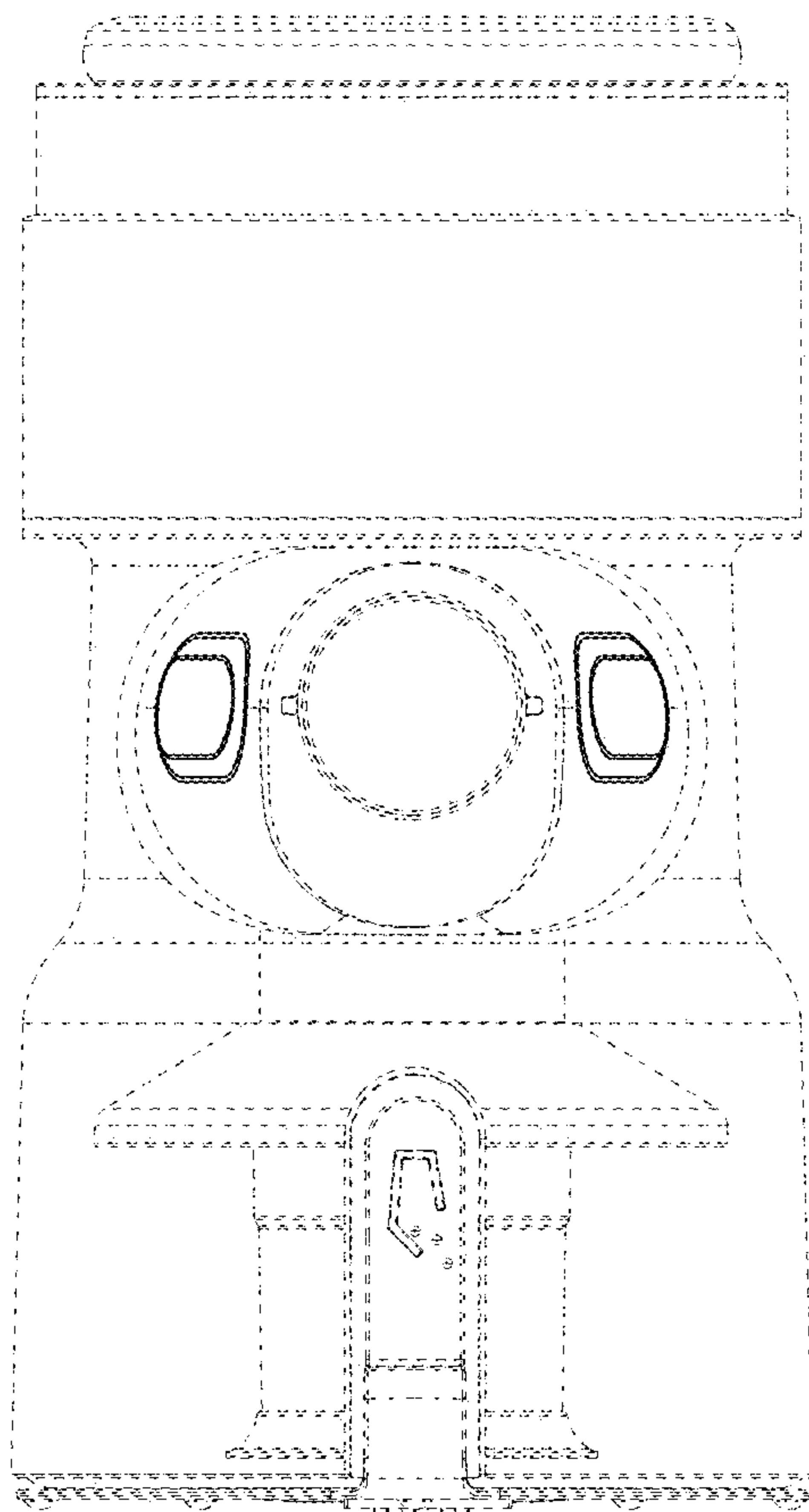


FIG.5

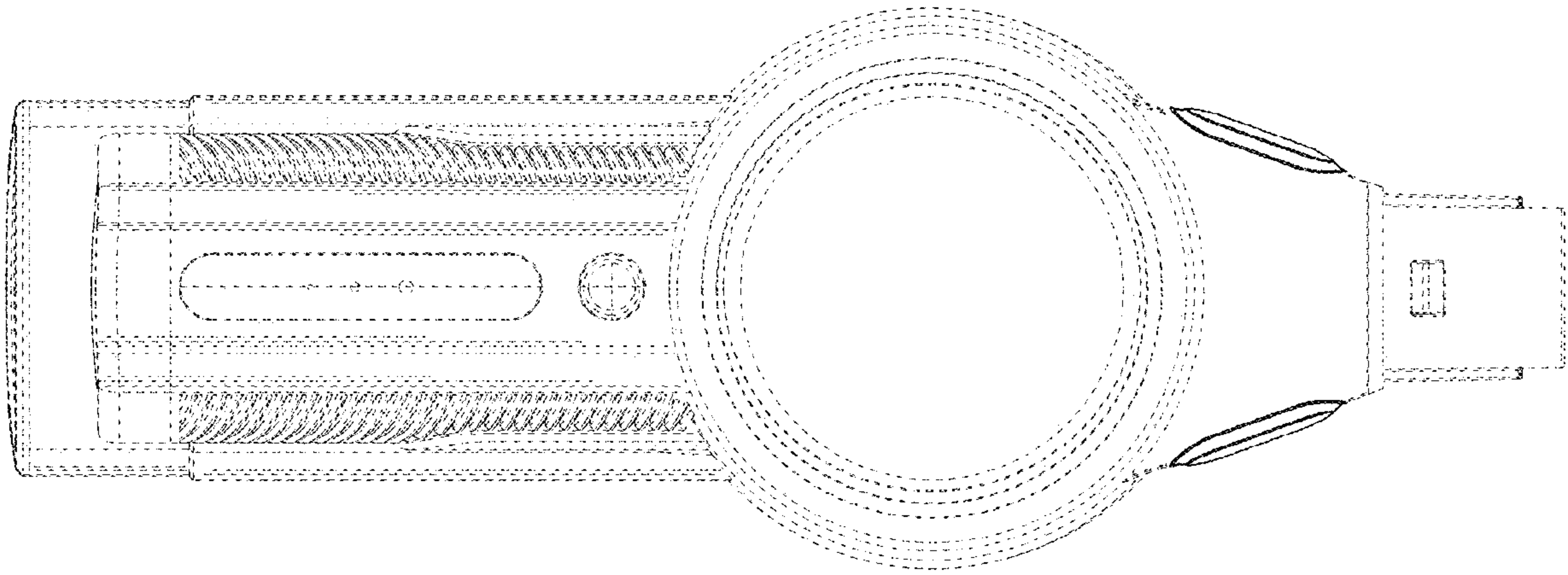


FIG. 6

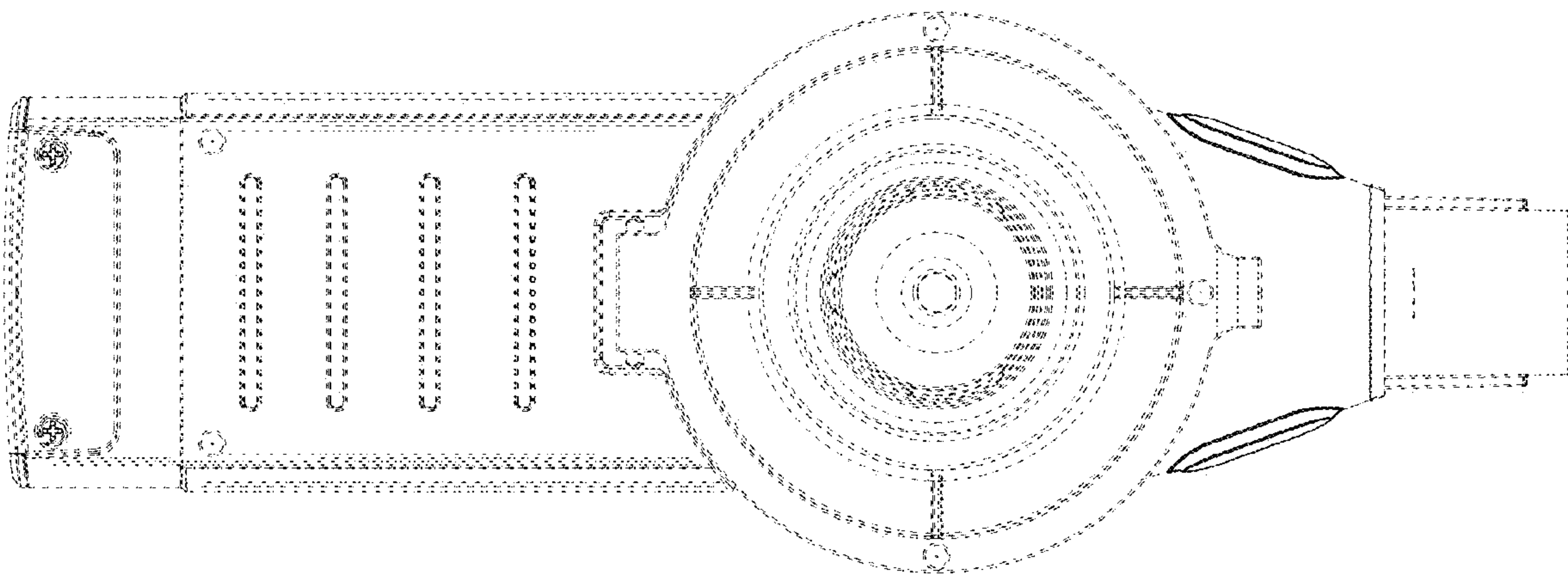


FIG. 7