



US00D948144S

(12) **United States Design Patent** (10) **Patent No.:** **US D948,144 S**  
**Dammkoehler et al.** (45) **Date of Patent:** **\*\* Apr. 5, 2022**

(54) **FLOOR CLEANING MACHINE**  
(71) Applicant: **Alfred Kaercher SE & Co. KG**,  
Winnenden (DE)  
(72) Inventors: **Denis Dammkoehler**, Backnang (DE);  
**Jochen Burchard**, Schwaebisch  
Gmuend (DE)  
(73) Assignee: **Alfred Kaercher SE & Co. KG**,  
Winnenden (DE)

D876,736 S \* 2/2020 Ninomiya ..... D32/22  
D877,430 S \* 3/2020 Hooley ..... D32/22  
D882,893 S \* 4/2020 Hooley ..... D32/31  
10,758,101 B2 \* 9/2020 Fogarty, Jr. .... A47L 9/0411  
D926,405 S \* 7/2021 Haverkamp ..... D32/31  
D929,053 S \* 8/2021 Dong ..... D32/22  
D931,561 S \* 9/2021 Meissner ..... D32/21  
D933,318 S \* 10/2021 Meissner ..... D32/21  
2016/0045090 A1 \* 2/2016 Pilch ..... H02P 6/28  
318/3  
2018/0132686 A1 \* 5/2018 Muir ..... A47L 9/2805  
2019/0261824 A1 \* 8/2019 Conrad ..... A47L 9/22  
2021/0093143 A1 \* 4/2021 Nguyen ..... A47L 9/0477

(Continued)

(\*\*) Term: **15 Years**

(21) Appl. No.: **29/652,517**

(22) Filed: **Sep. 9, 2020**

(51) **LOC (13) Cl.** ..... **15-05**

(52) **U.S. Cl.**  
USPC ..... **D32/22**

(58) **Field of Classification Search**  
USPC ..... D32/18, 21, 22, 31, 34, 38  
CPC ..... A47L 5/30; A47L 9/0411; A47L 9/0477;  
A47L 9/22; A47L 9/2805; A47L 5/28;  
H02P 6/28

See application file for complete search history.

(56) **References Cited**

**U.S. PATENT DOCUMENTS**

D384,783 S \* 10/1997 Strohmeyer ..... D32/22  
D521,699 S \* 5/2006 Greene ..... D32/22  
7,140,068 B1 \* 11/2006 Vander Baan ..... A47L 5/28  
15/347  
D549,910 S \* 8/2007 Bouhuys ..... D32/38  
D600,420 S \* 9/2009 Dammkoehler ..... D32/38  
D666,371 S \* 8/2012 Bilger ..... D32/31  
D671,283 S \* 11/2012 Paterson ..... D32/22  
D694,970 S \* 12/2013 Santiago ..... D32/34  
D837,469 S \* 1/2019 Johnson ..... D32/22  
D870,995 S \* 12/2019 Burgess ..... D32/22

**OTHER PUBLICATIONS**

Karcher <https://www.kaercher.com/au/home-garden/hard-floor-cleaner/fc-7-cordless-hard-floor-cleaner-10557340.html> (Year: 2021).\*

(Continued)

*Primary Examiner* — Michelle E. Wilson  
*Assistant Examiner* — Richard E Yenchesky  
(74) *Attorney, Agent, or Firm* — Lipsitz & McAllister,  
LLC

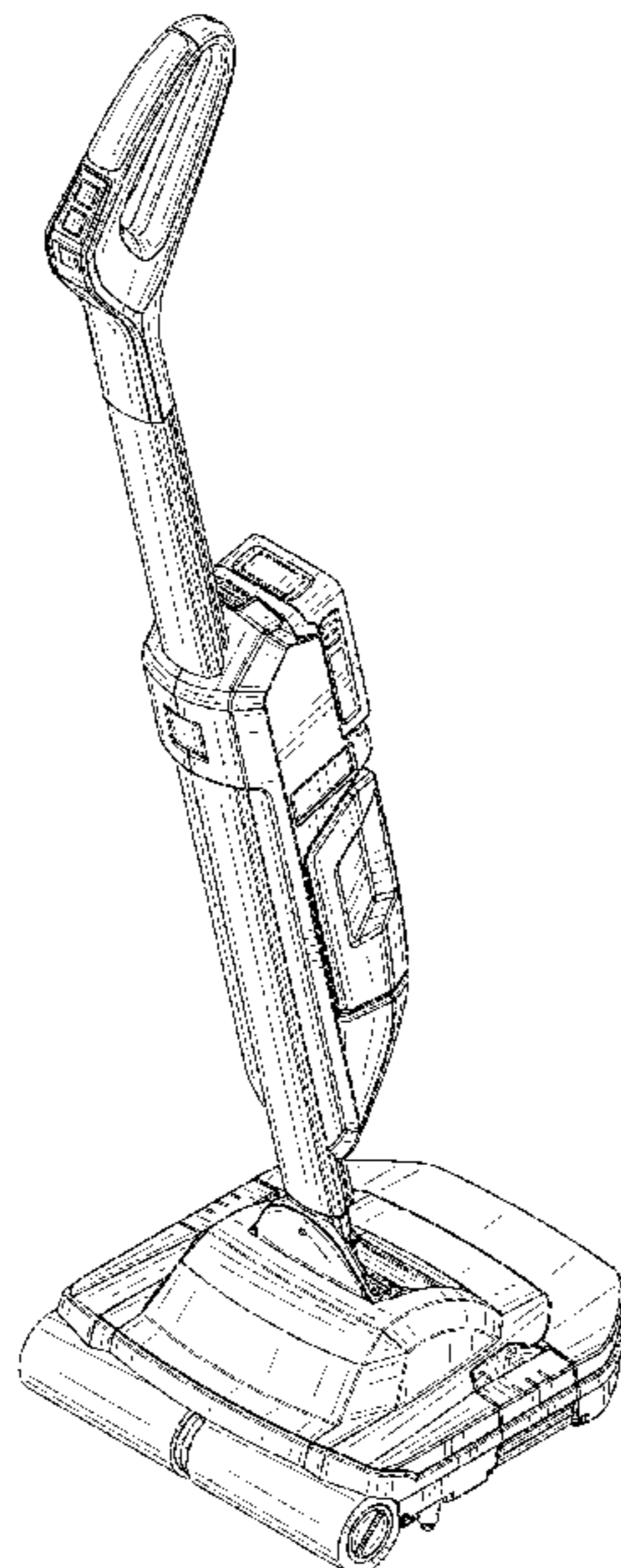
(57) **CLAIM**

The ornamental design for a floor cleaning machine, as shown and described.

**DESCRIPTION**

FIG. 1 is a front, top and left side perspective view of a floor cleaning machine showing the new design;  
FIG. 2 is a front, top and right side perspective view thereof;  
FIG. 3 is a front elevational view thereof;  
FIG. 4 is a left side elevational view thereof;  
FIG. 5 is a rear elevational view thereof;  
FIG. 6 is a right side elevational view thereof; and,  
FIG. 7 is a top plan view thereof.

**1 Claim, 7 Drawing Sheets**



(56)

**References Cited**

U.S. PATENT DOCUMENTS

2021/0204781 A1\* 7/2021 Bosses ..... A47L 5/30

OTHER PUBLICATIONS

Alfred Kaercher SE & Co. KG, photographs of floor cleaning machines, 5 pages, date unknown, [admitted prior art].

Bissell, photograph of floor cleaning machine, 1 page, date unknown, [admitted prior art].

\* cited by examiner

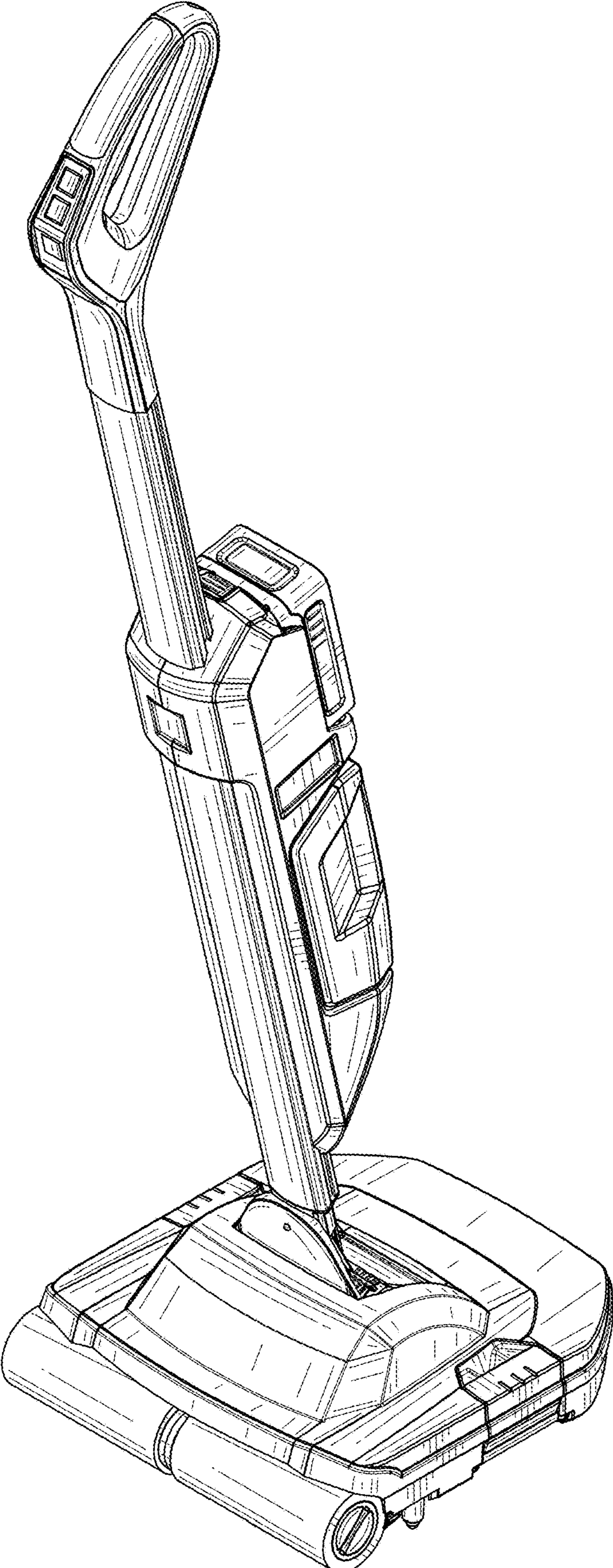


FIG. 1

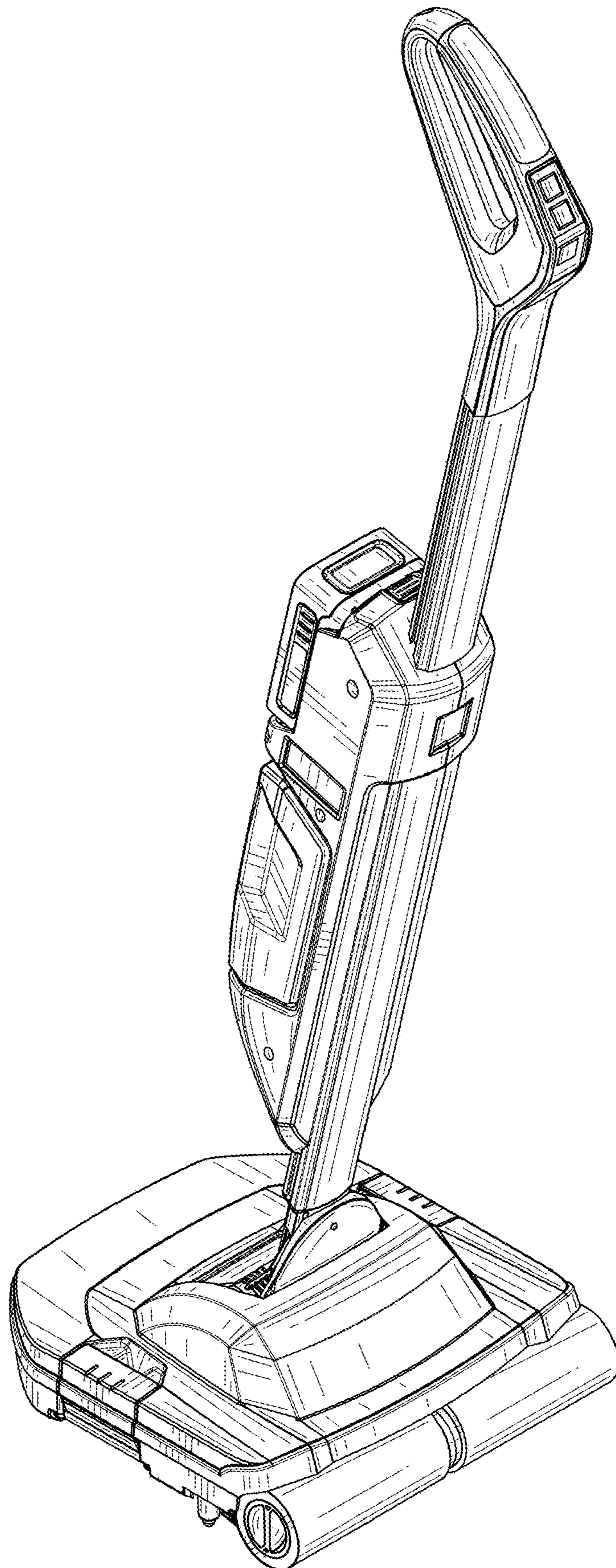


FIG. 2

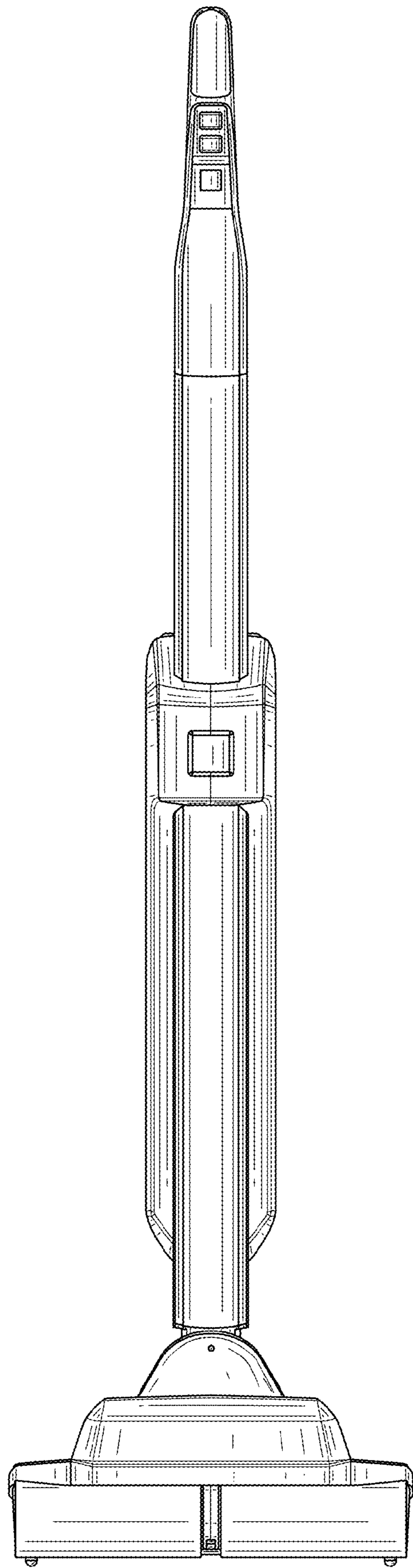


FIG. 3

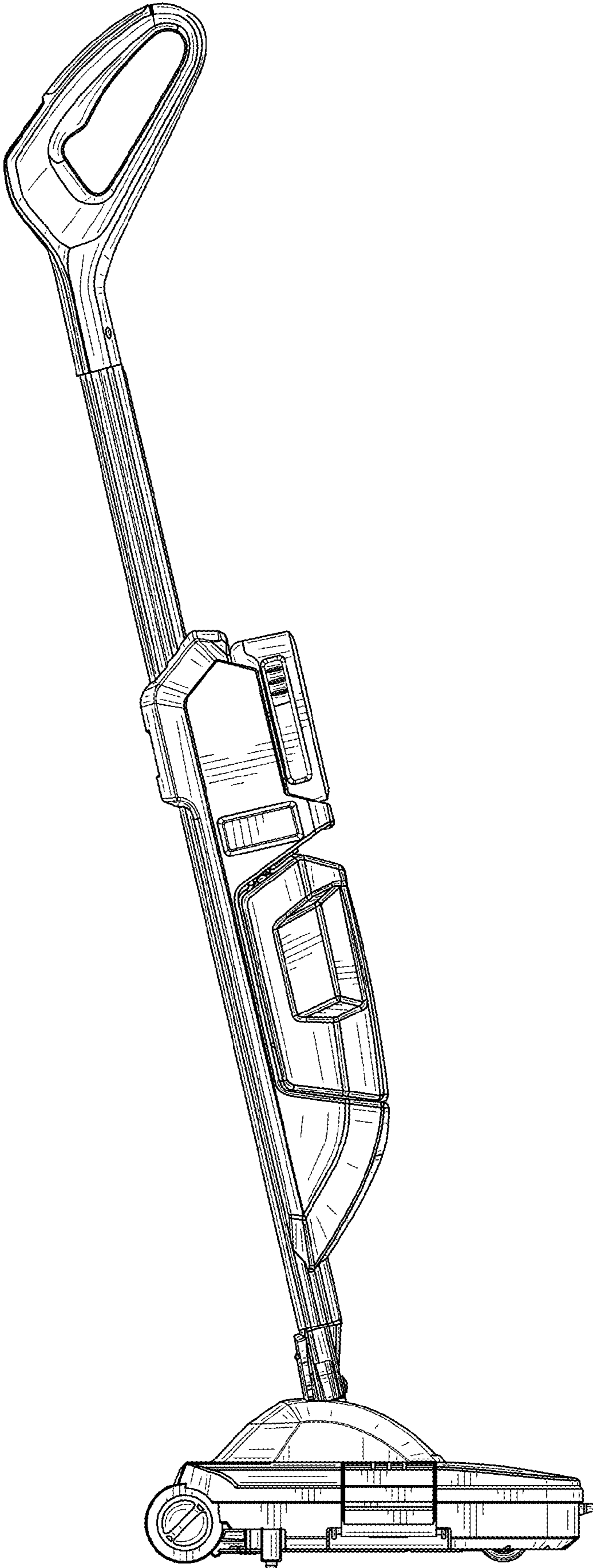


FIG. 4

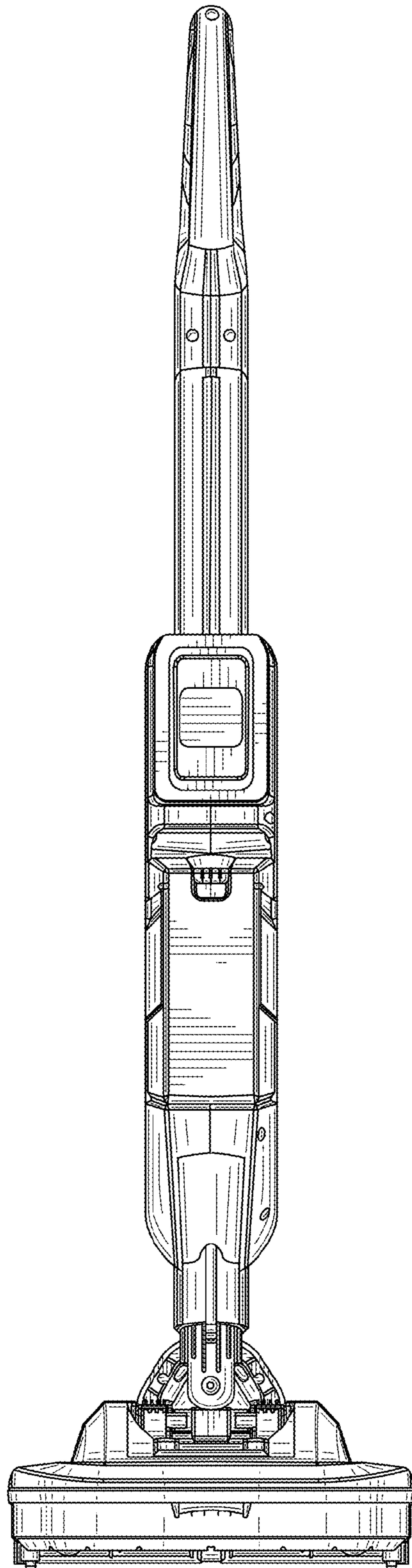


FIG. 5

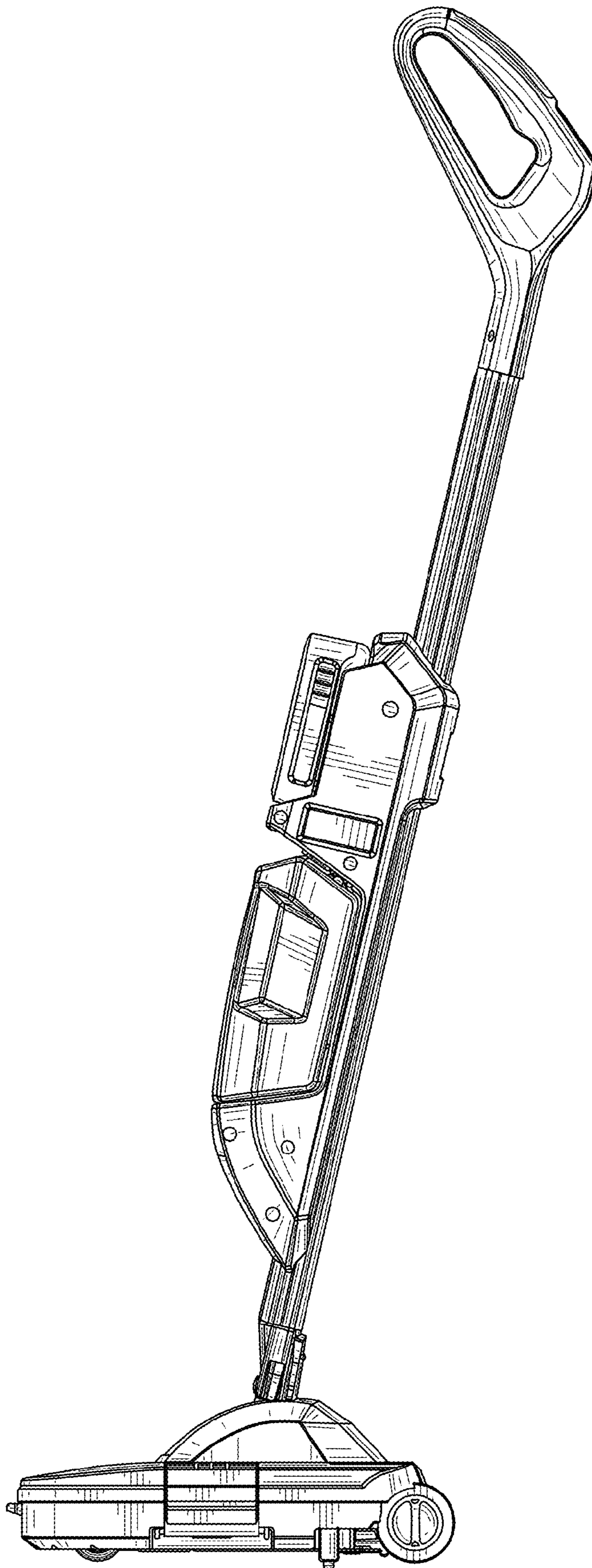


FIG. 6



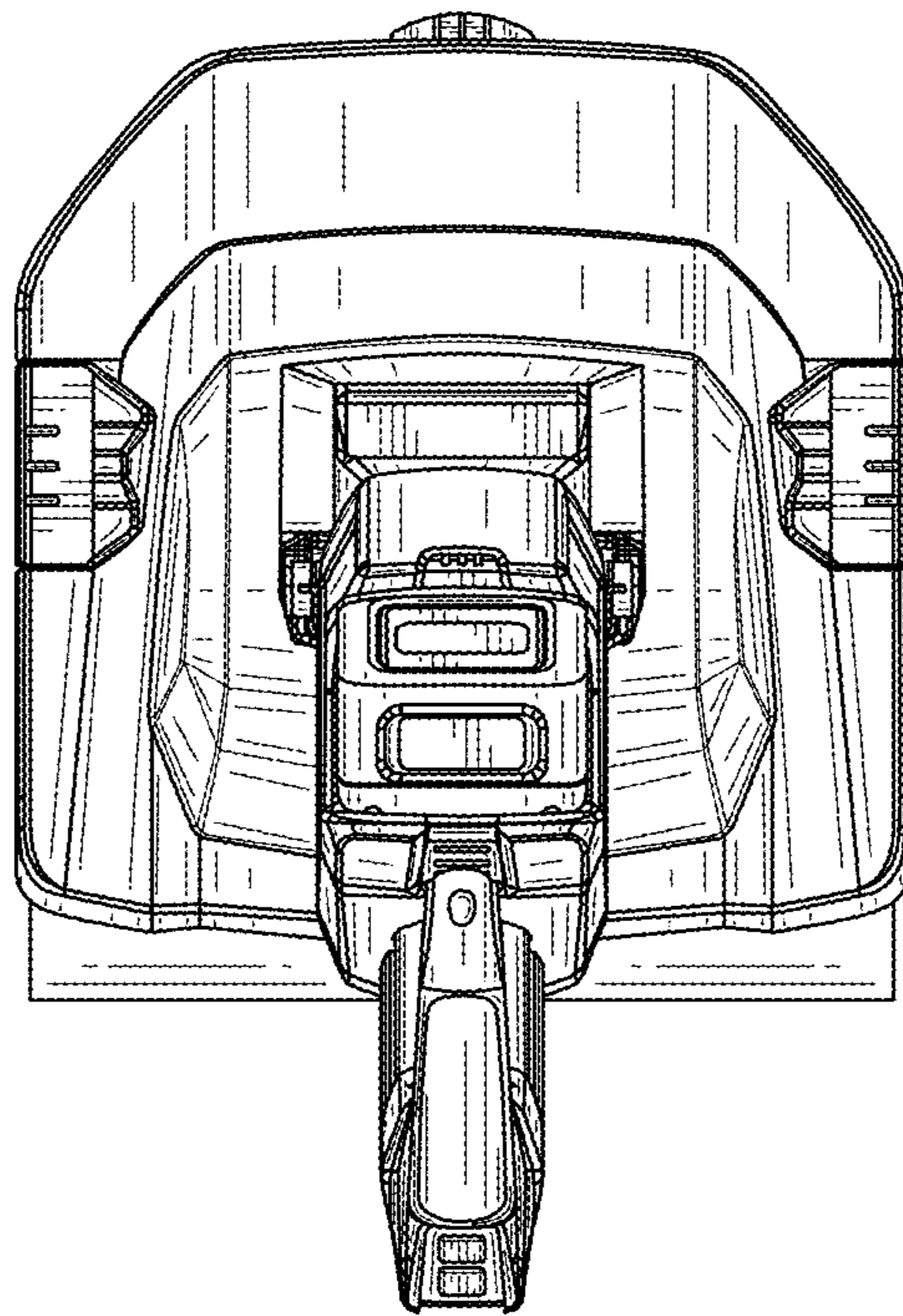


FIG. 7

UNITED STATES PATENT AND TRADEMARK OFFICE  
**CERTIFICATE OF CORRECTION**

PATENT NO. : D948,144 S  
APPLICATION NO. : 29/652517  
DATED : April 5, 2022  
INVENTOR(S) : D. Dammkoehler

Page 1 of 1

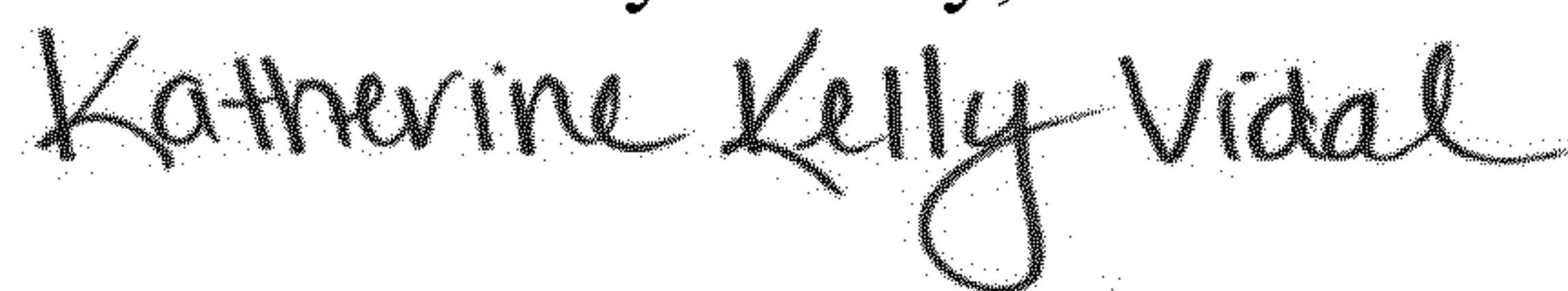
It is certified that error appears in the above-identified patent and that said Letters Patent is hereby corrected as shown below:

On the Title Page

Item [30], insert:

--Mar. 13, 2020 (WO) ..... WIPO93199--

Signed and Sealed this  
Fifth Day of July, 2022



Katherine Kelly Vidal  
*Director of the United States Patent and Trademark Office*