



US00D948143S

(12) **United States Design Patent**
Pearce et al.

(10) **Patent No.:** **US D948,143 S**

(45) **Date of Patent:** **** Apr. 5, 2022**

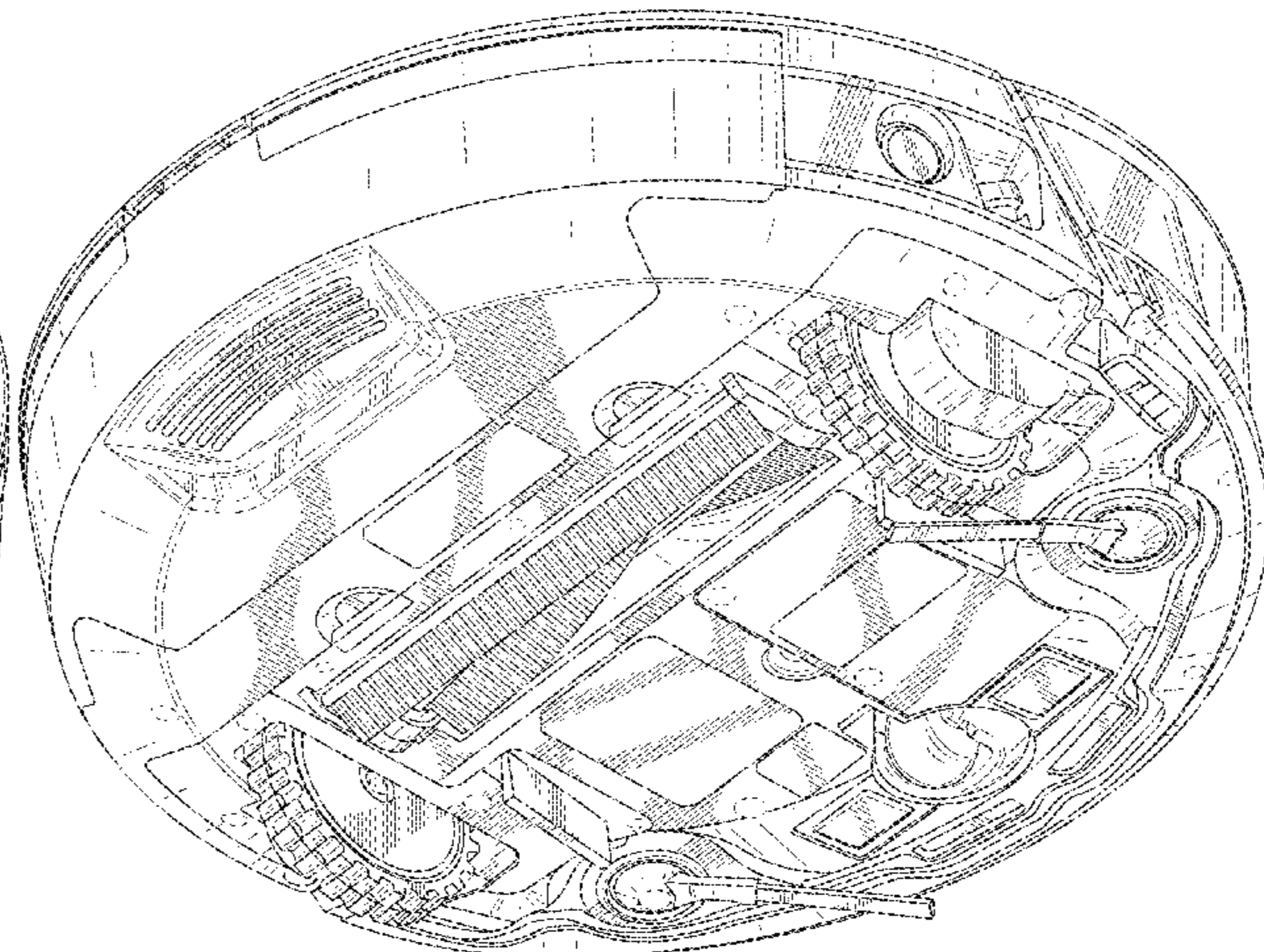
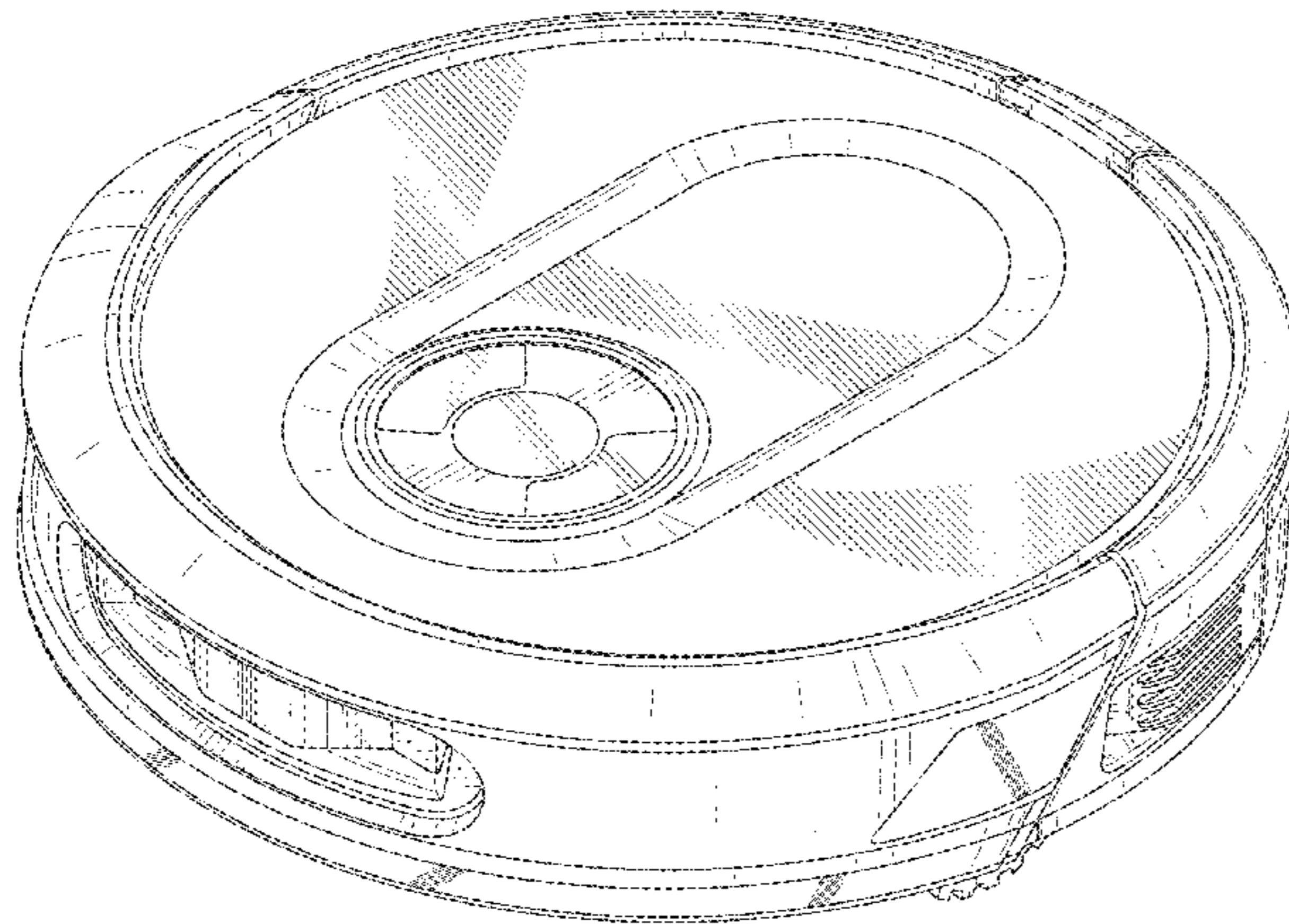
- (54) **ROBOTIC VACUUM CLEANER**
- (71) Applicant: **SharkNinja Operating, LLC**,
Needham, MA (US)
- (72) Inventors: **Emily Pearce**, Somerville, MA (US);
Tyler Nikitas, Lancaster, MA (US);
Isaku D. Kamada, Brighton, MA (US);
Adam Leech, Newton, MA (US);
Melinda L. Liggett, Watertown, MA
(US); **Catriona C. A. Sutter**,
Brookline, MA (US)
- (73) Assignee: **SHARKNINJA OPERATING LLC**,
Needham, MA (US)
- (**) Term: **15 Years**
- (21) Appl. No.: **29/680,732**
- (22) Filed: **Feb. 19, 2019**
- (51) **LOC (13) Cl.** **15-05**
- (52) **U.S. Cl.**
USPC **D32/21**
- (58) **Field of Classification Search**
USPC D32/21, 31; D21/526, 578; D8/70, 310,
D8/330; D10/37, 38, 50, 106.2, 106.5;
D13/108, 209; D23/254
See application file for complete search history.

(56) **References Cited**

U.S. PATENT DOCUMENTS

D524,495 S	7/2006	Ljunggren	
D548,902 S	8/2007	Chun et al.	
D548,903 S	8/2007	Chu et al.	
D556,961 S	12/2007	Swyst et al.	
D586,969 S	2/2009	Geringer et al.	
D596,815 S	7/2009	Baek	
D602,215 S	10/2009	Ljunggren	
D609,636 S *	2/2010	Jensen	D13/108
D658,341 S	4/2012	Nam et al.	
D659,311 S	5/2012	Geringer et al.	
D660,530 S	5/2012	Geringer et al.	
D665,547 S	8/2012	Nam et al.	
D667,382 S *	9/2012	Cosentino	D13/168

D669,235 S	10/2012	Bassett	
D670,877 S	11/2012	Geringer et al.	
D679,825 S *	4/2013	Elkerbout	D24/217
D682,199 S *	5/2013	Rautiainen	D13/108
D690,478 S	9/2013	Li	
D691,337 S	10/2013	Kim et al.	
D694,093 S *	11/2013	Mostert	D8/334
D703,397 S	4/2014	Sunghyung et al.	
D714,002 S	9/2014	Casini	
D714,003 S	9/2014	Casini	
D715,504 S	10/2014	Deoksang	
D716,267 S *	10/2014	Kim	D14/217
D729,771 S *	5/2015	Hoehn	D14/215
D733,888 S *	7/2015	Tuhkanen	D24/167
D743,645 S	11/2015	Lee	
D746,771 S *	1/2016	Perez	D13/108
D764,461 S *	8/2016	Romanoff	D14/358
D771,332 S	11/2016	Verhoorn et al.	
D771,333 S	11/2016	Verhoom	
D771,884 S	11/2016	Ninomiya	
9,483,055 B2	11/2016	Johnson et al.	
D773,941 S *	12/2016	Holzer	D10/22
D774,717 S	12/2016	Choi et al.	
D781,512 S	3/2017	Neumann et al.	
D784,640 S	4/2017	Verhoom	
D785,262 S	4/2017	Choi et al.	
D787,443 S *	5/2017	Chiang	D13/110
D789,367 S *	6/2017	Jentz	D14/388
D796,757 S	9/2017	Verhoorn et al.	
D800,313 S *	10/2017	Chang	D24/167
D800,720 S *	10/2017	Kim	D14/344
D803,374 S *	11/2017	Patton	D23/366
D809,481 S *	2/2018	McManigal	D14/216
D815,091 S *	4/2018	Nguyen	D14/356
D815,967 S *	4/2018	Ramasarma	D10/104.1
9,931,007 B2	4/2018	Morin	
D817,187 S *	5/2018	Poandl	D10/15
D829,121 S *	9/2018	Colasse	D10/106.1
D835,869 S	12/2018	Li	
D838,926 S *	1/2019	Delgado	D32/16
D840,617 S	2/2019	Dou	
D843,671 S	3/2019	Chei et al.	
D847,741 S *	5/2019	Hu	D13/108
D869,797 S	12/2019	Chei	
D872,691 S *	1/2020	Liao	D13/108
D883,921 S *	5/2020	Ryu	D13/108
D884,632 S *	5/2020	Xie	D13/119
D887,977 S *	6/2020	Weinstein	H02J 7/0027 D13/108
D890,457 S	7/2020	Pearce	
D892,045 S *	8/2020	Zhang	D13/108
D896,764 S *	9/2020	Gutierrez	D13/162
D903,588 S *	12/2020	Shoemake	D13/108



D903,961 S *	12/2020	Li	D32/21
D906,608 S *	12/2020	Li	D32/21
D906,783 S *	1/2021	Jung	D8/330
D906,784 S *	1/2021	Jung	D8/330
D907,575 S *	1/2021	Xu	D13/108
D909,985 S *	2/2021	Landerus	D14/203.1
D911,277 S *	2/2021	Shang	D13/108
D911,642 S *	2/2021	Burgess	D32/31
D911,954 S *	3/2021	Xie	D13/108
D914,187 S *	3/2021	Bink	D23/365
D917,809 S *	4/2021	Kim	D32/21
D918,752 S *	5/2021	Lyu	D10/104.1
D919,910 S *	5/2021	Li	D32/21
D921,308 S *	6/2021	Cao	D32/21
D921,309 S *	6/2021	Liu	D32/21
D929,690 S *	8/2021	Cheng	A47L 9/009
				D32/21
D932,123 S *	9/2021	Li	D32/21
D932,718 S *	10/2021	Yan	D32/21
D933,319 S *	10/2021	Lyu	D32/21
2015/0230680 A1 *	8/2015	Li	G01N 29/04
				15/319
2016/0236343 A1 *	8/2016	Neumann	A47L 9/2889
2019/0372377 A1 *	12/2019	Weinstein	H02J 7/342

FOREIGN PATENT DOCUMENTS

CN	304073685	*	3/2017
CN	304306208	*	10/2017
CN	304400660	*	12/2017
CN	304530173	*	3/2018
CN	304962760	*	12/2018
CN	304968271	*	12/2018
CN	305211139	*	6/2019
EM	002593442-0002		1/2015
EM	007388400-0010	*	3/2020
EM	007388400-0011	*	3/2020
EM	007388400-0013	*	3/2020
EM	007388400-0014	*	3/2020
JP	1475310		7/2013
JP	1541696		1/2016
JP	1545765		3/2016
JP	D1642436	*	9/2019
JP	D1667616	*	9/2020
JP	D1676572	*	1/2021
JP	D1676637	*	1/2021
KR	30-0845638		3/2016

OTHER PUBLICATIONS

Google Chromecast(2020), available in engadget.com, announced Sep. 30, 2020 [online], [site visited Dec. 23, 2020], Internet URL: <https://www.engadget.com/new-chromecast-2020-google-tv-hands-on-assistant-remote-control-183038500.html> (Year: 2020).*

MOOSOO Robot Vacuum, available in Amazon.com, customer review oldest date Aug. 23, 2020 [online], [site visited Dec. 23, 2020], Available from the internet URL: https://www.amazon.com/dp/B089R737HV/ref=cm_sw_r_em_apa_fabc_Xwc3Fb0E0BBN0?_encoding=UTF8&pvc=1 (Year: 2020).*

Shark AI Robot Vacuum RV2001, available in Amazon.com, customer review oldest date Dec. 8, 2020 [online], [site visited Dec. 14, 2020], Available from the internet URL: <https://www.amazon.com/Shark-RV2001-Navigation-Self-Cleaning-Brushroll/dp/B089TPY526> (Year: 2020).*

Robomann 361 Robot Vacuum Cleaner, available in Amazon.com, first date available May 10, 2020 [online], [site visited Dec. 23, 2020], Available from the internet URL: https://www.amazon.com/dp/B088D2WZ1V/ref=cm_sw_r_em_apa_fabt1_r8hXFb6ZEDEGF?_encoding=UTF8&pvc=1 (Year: 2020).*

Robotic Vacuum Cleaner, available in behance.com, announced 2020 [online], [site visited Nov. 30, 2020], Internet URL: https://www.behance.net/gallery/107290477/Robotic-Vacuum-Cleaner-Rendering?tracking_source=search_projects_recommended%7Crobot%20vacuum%20cleaner%20industrial%20design (Year: 2020).*

Shark IQ Robot Vacuum, available in Amazon.com, first date available Oct. 12, 2019 [online], [site visited Dec. 23, 2020], Available from the internet URL: https://www.amazon.com/Shark-Robot-App-Controlled-Vacuum-RV1001/dp/B07Z2BCPZ9/ref=psdc_3743561_t2_B07SBKV115 (Year: 2019).*

SharkNinja—AI Robot VacMop Pro, announced in YouTube on Nov. 18, 2020, [online], [site visited Dec. 23, 2020], Available from the internet URL: <https://www.youtube.com/watch?v=OjY66HbsjFs> (Year: 2020).*

Shark IQ AV993, available in Amazon.com, customer review oldest date Dec. 5, 2020 [online], [site visited Dec. 23, 2020], Available from the internet URL: https://www.amazon.com/Shark-AV993-Cleaning-Brushroll-Navigation/dp/B08DVJBMM3/ref=pd_rhf_cr_p_img_3?_encoding=UTF8&pvc=1&refRID=KDEYXDKHXX6GPE329CPH (Year: 2020).*

Tokusengai, Jan. 3, 2016, vol. 38, No. 2, p. 60 (ROOMBA, Publicly known document No. HA28001207 of JPO Design Division), listed on JP Notice of References received with Notice of Allowance dated May 17, 2018 in JP Application No. 2018-001435, 2 pgs.

U.S. Appl. No. 29/695,074, filed Jun. 14, 2019.

* cited by examiner

Primary Examiner — Dana K Weiland

Assistant Examiner — Jennylou M Binas

(74) Attorney, Agent, or Firm — Grossman, Tucker, Perreault & Pfleger, PLLC

(57) CLAIM

The ornamental design for a robotic vacuum cleaner, as shown and described.

DESCRIPTION

FIG. 1 is a front view of the first embodiment of a robotic vacuum cleaner, showing the new design;
 FIG. 2 is a rear view thereof;
 FIG. 3 is a top view thereof;
 FIG. 4 is a bottom view thereof;
 FIG. 5 is a right view thereof;
 FIG. 6 is a left view thereof;
 FIG. 7 is a front, top, right perspective view thereof;
 FIG. 8 is a front, bottom, left perspective view thereof;
 FIG. 9 is a rear, top, left perspective view thereof;
 FIG. 10 is a rear, bottom, left perspective view thereof;
 FIG. 11 is a rear, top, right perspective view thereof;
 FIG. 12 is a rear, bottom, right perspective view thereof;
 FIG. 13 is a front, top, left perspective view thereof; and
 FIG. 14 is a front, bottom, left perspective view thereof;
 FIG. 15 is a front view of the second embodiment of the robotic vacuum cleaner;
 FIG. 16 is a rear view thereof;
 FIG. 17 is a top view thereof;
 FIG. 18 is a bottom view thereof;
 FIG. 19 is a right view thereof;
 FIG. 20 is a left view thereof;
 FIG. 21 is a front, top, right perspective view thereof;
 FIG. 22 is a front, bottom, right perspective view thereof;
 FIG. 23 is a rear, top, left perspective view thereof;
 FIG. 24 is a rear, bottom, left perspective view thereof;
 FIG. 25 is a rear, top, right perspective view thereof;
 FIG. 26 is a rear, bottom, right perspective view thereof;
 FIG. 27 is a front, top, left perspective view thereof; and,
 FIG. 28 is a front, bottom, left perspective view thereof.

The portions of the robotic vacuum cleaner shown in broken lines do not form part of the claimed invention.

1 Claim, 28 Drawing Sheets

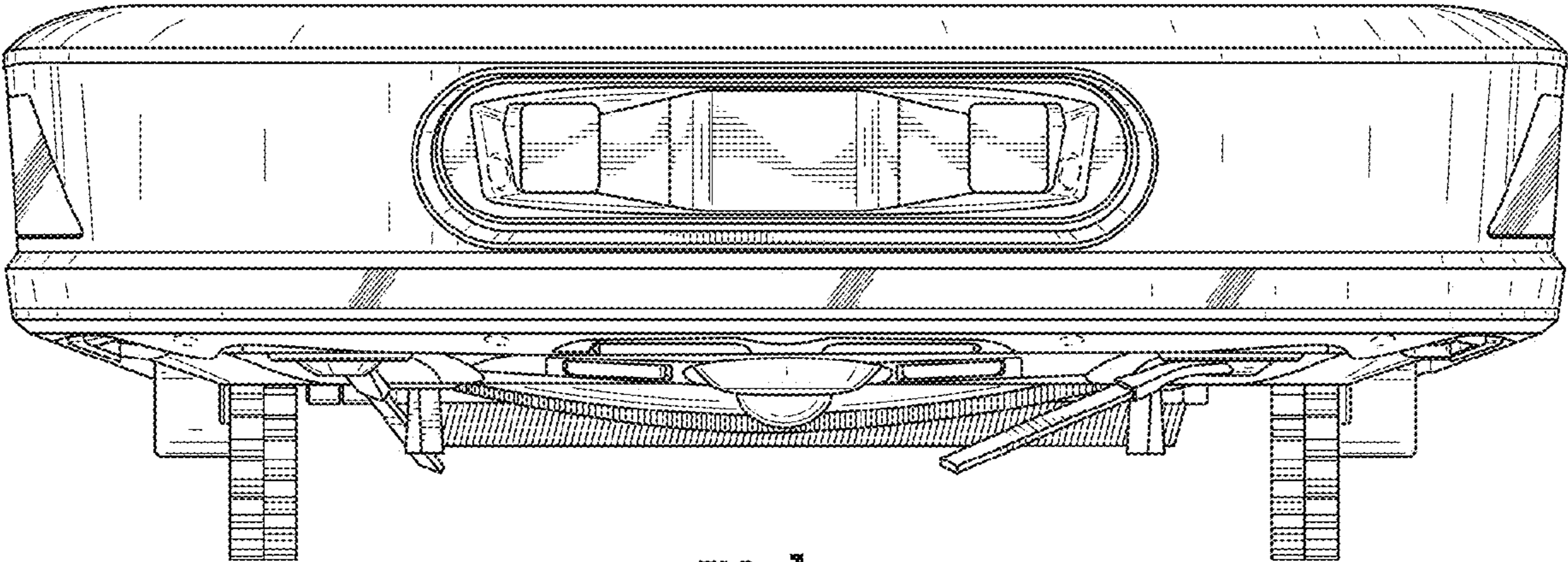


FIG. 1

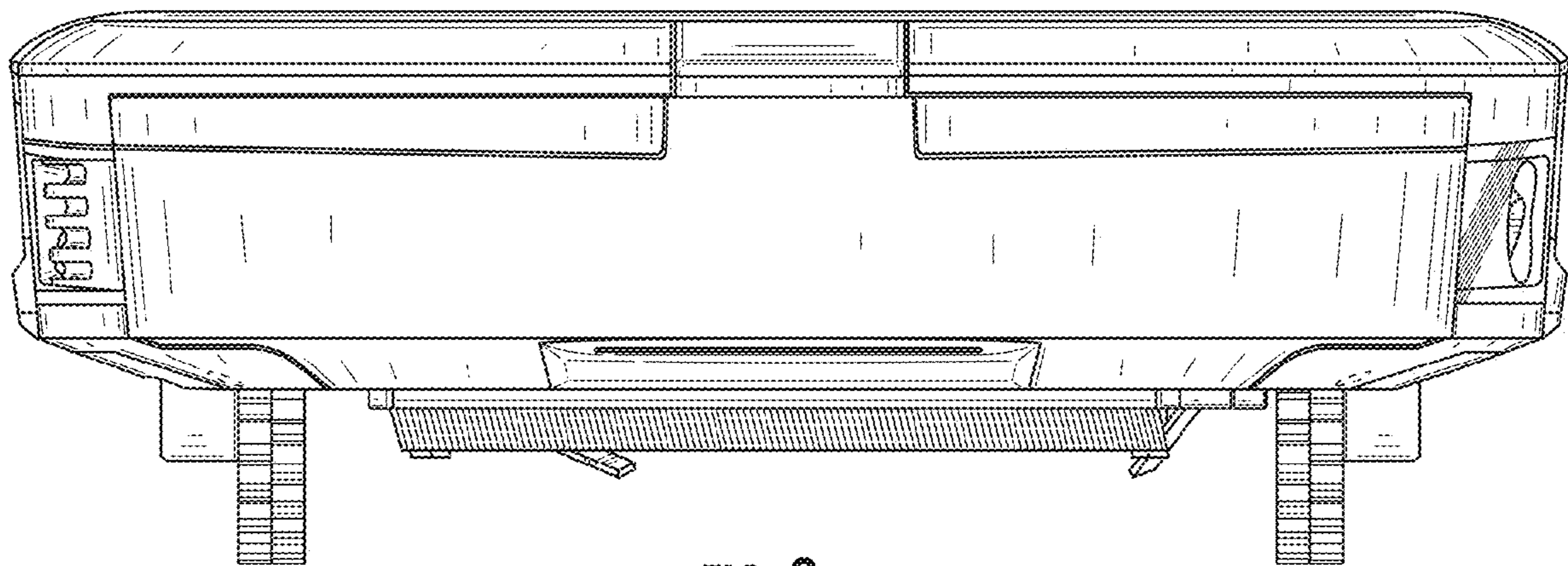


FIG. 2

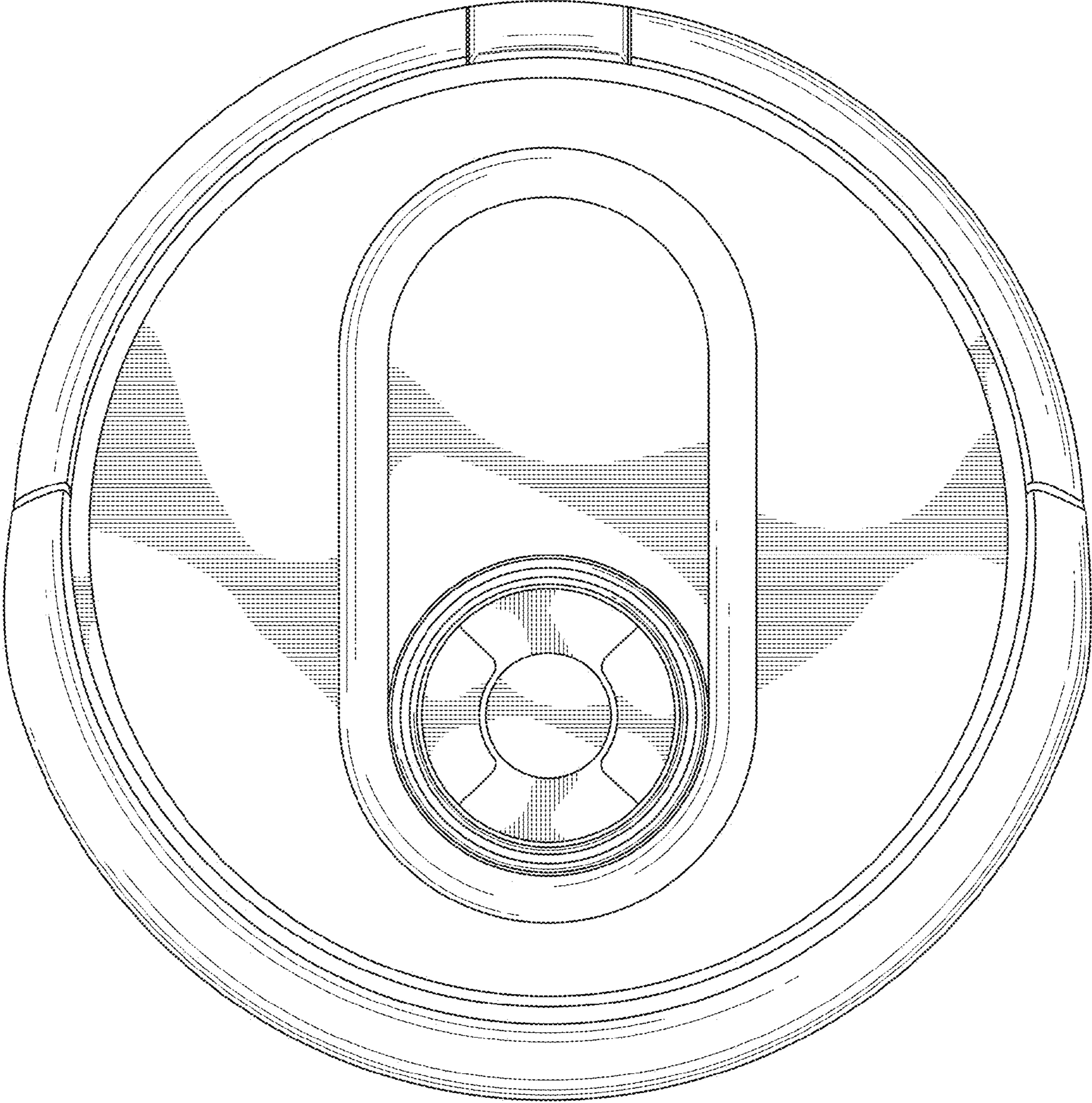


FIG. 3

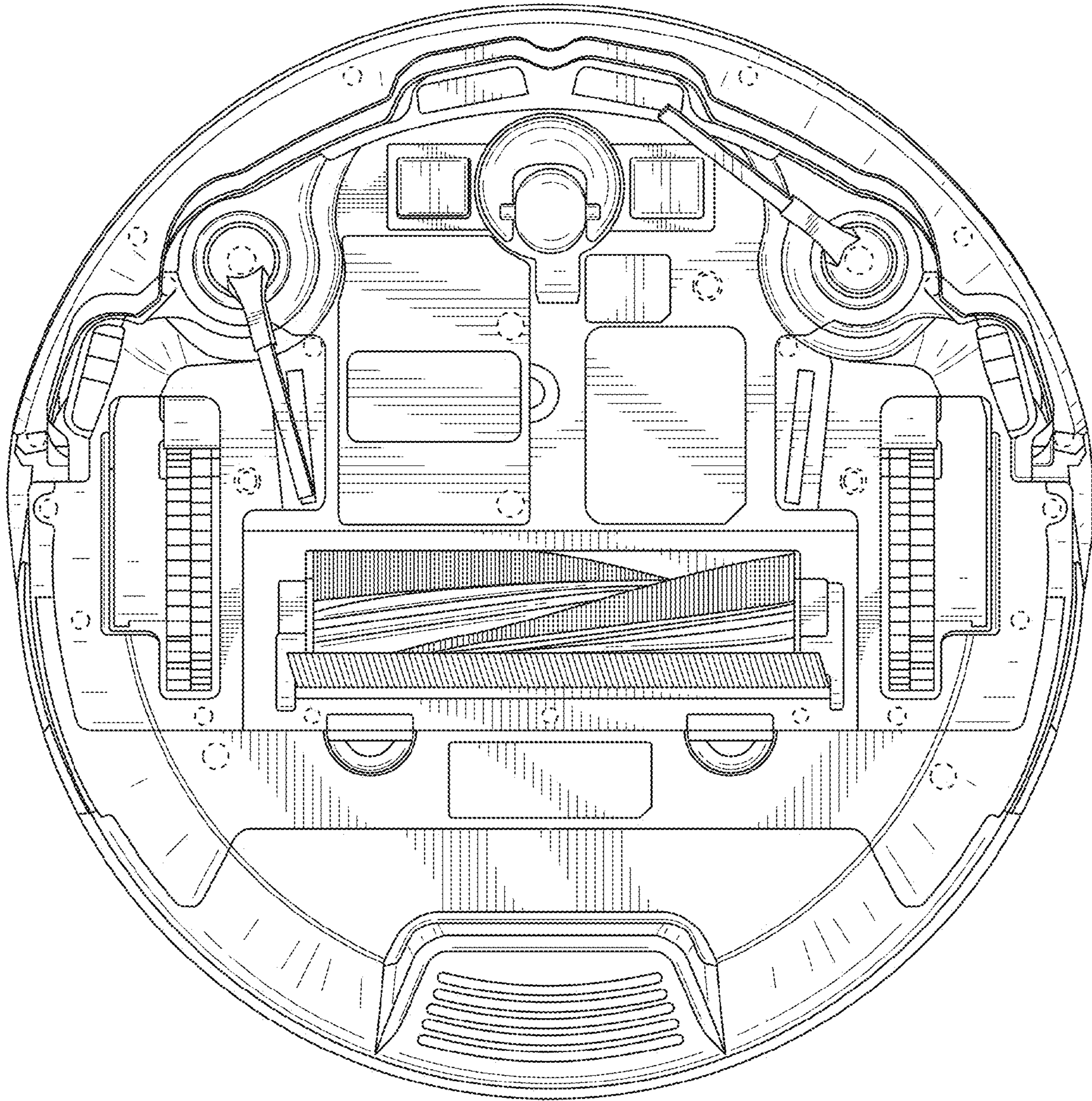


FIG. 4

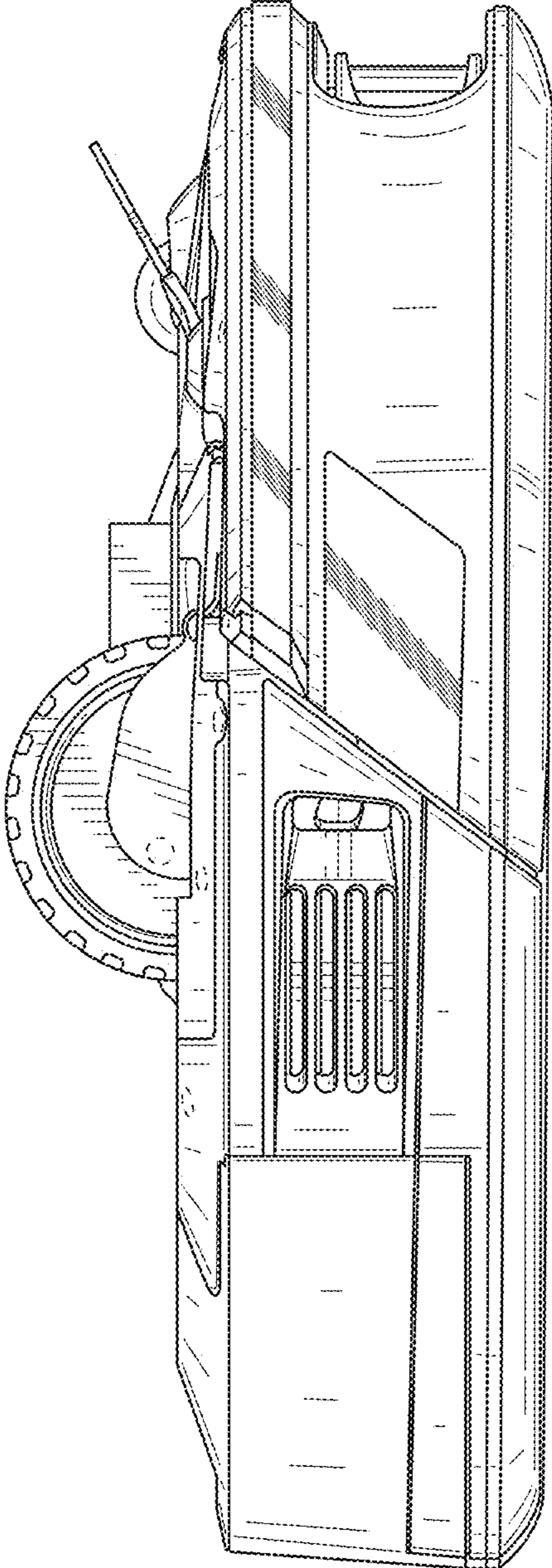


FIG. 5

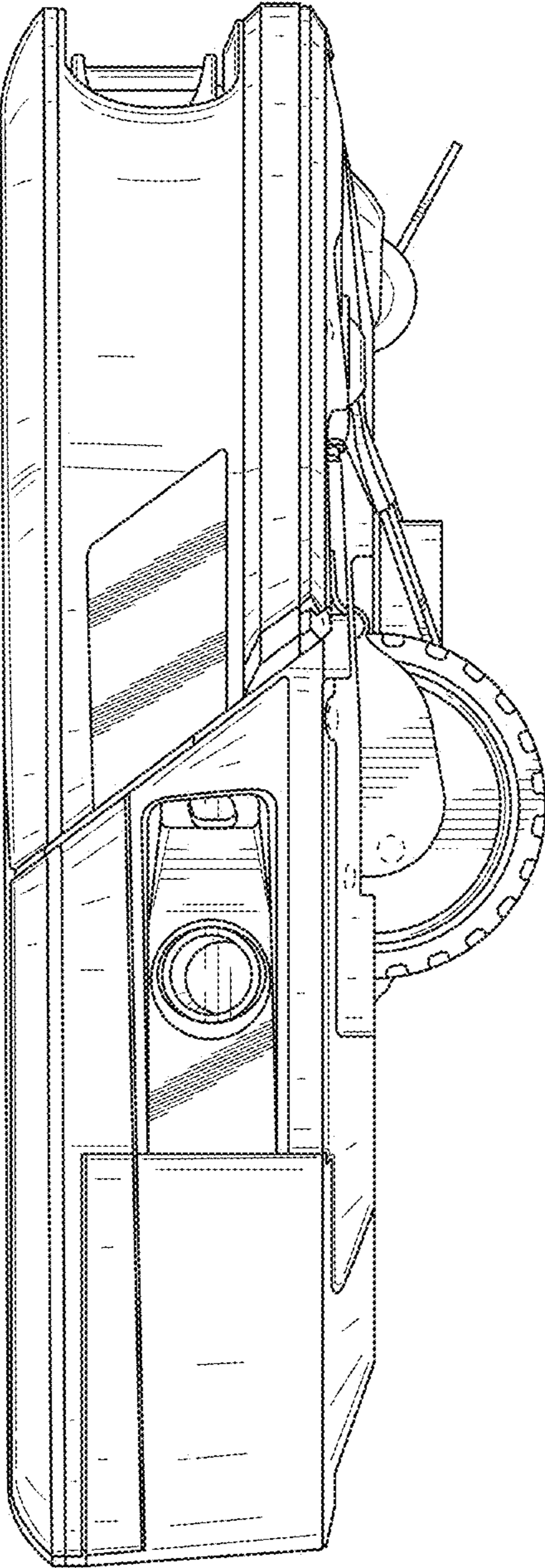


FIG. 6

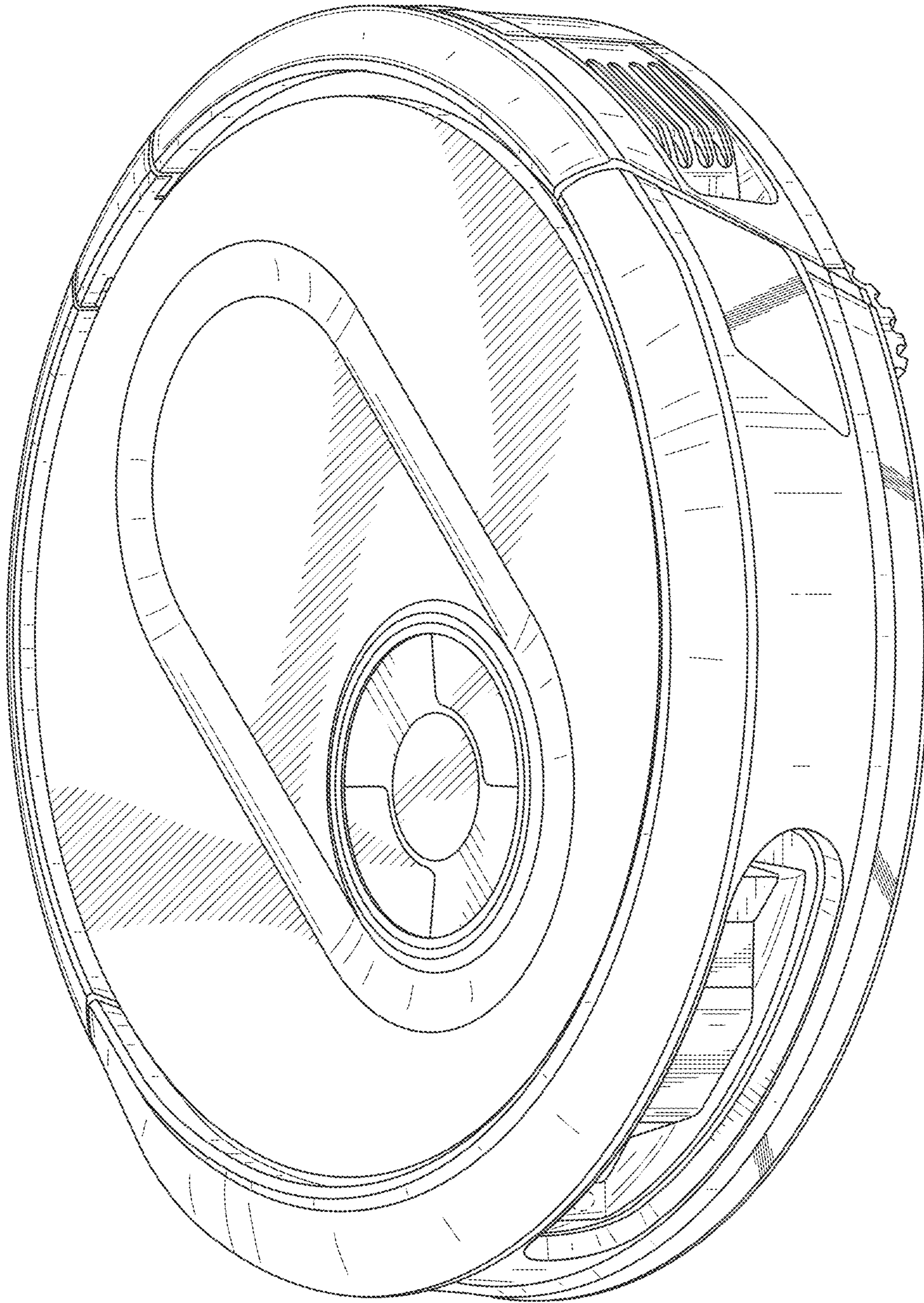


FIG. 7

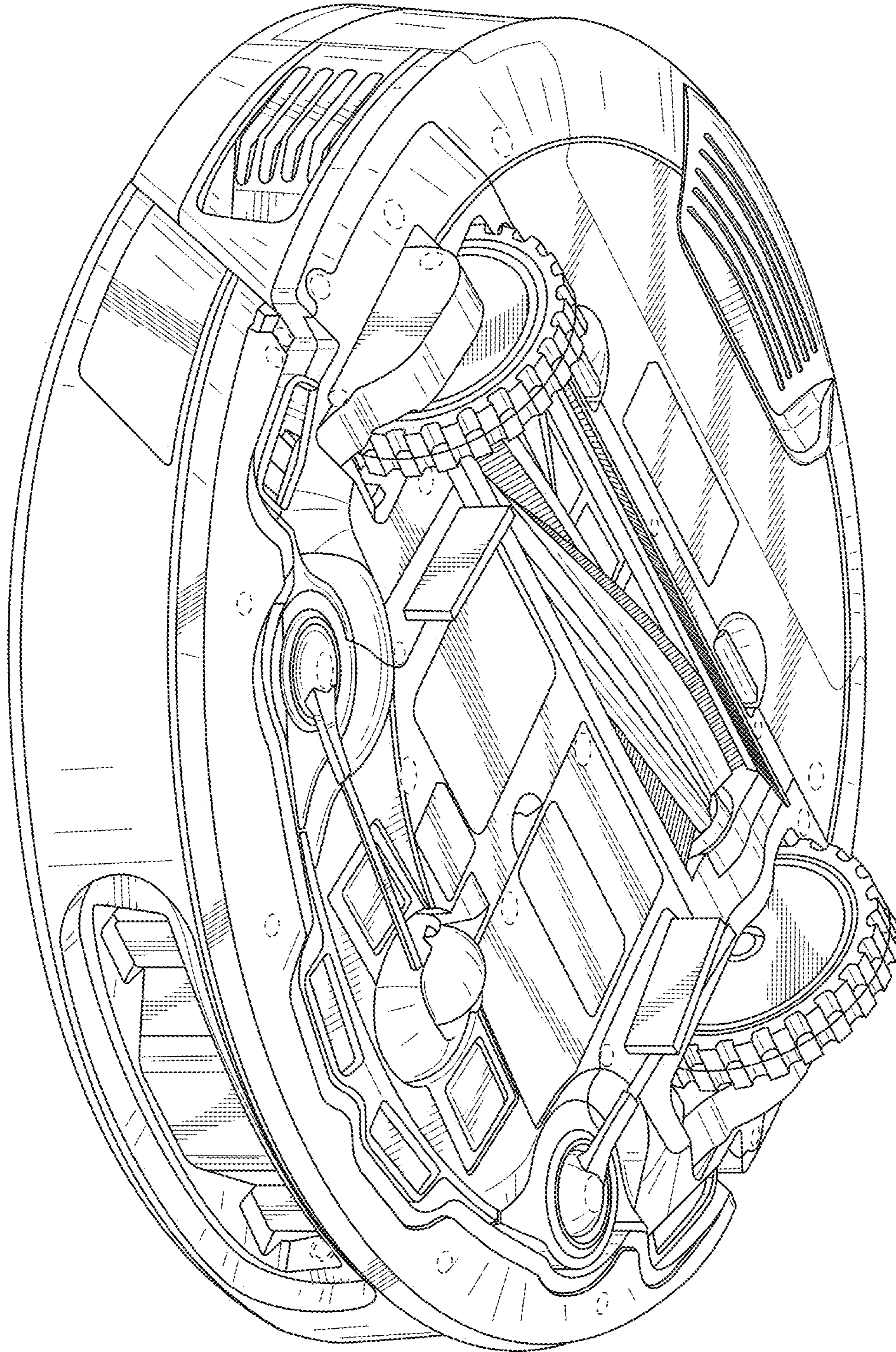


FIG. 8

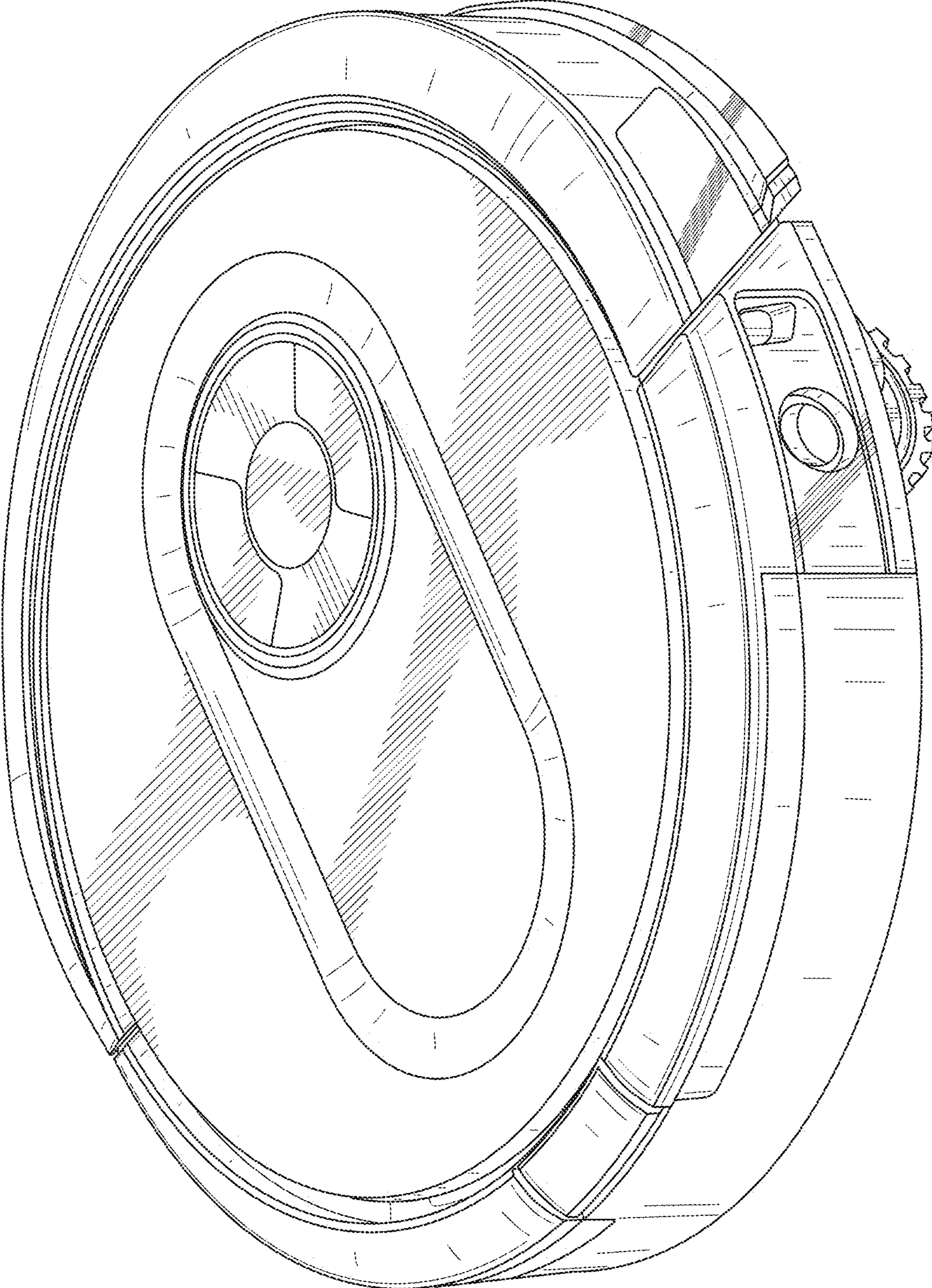


FIG. 9

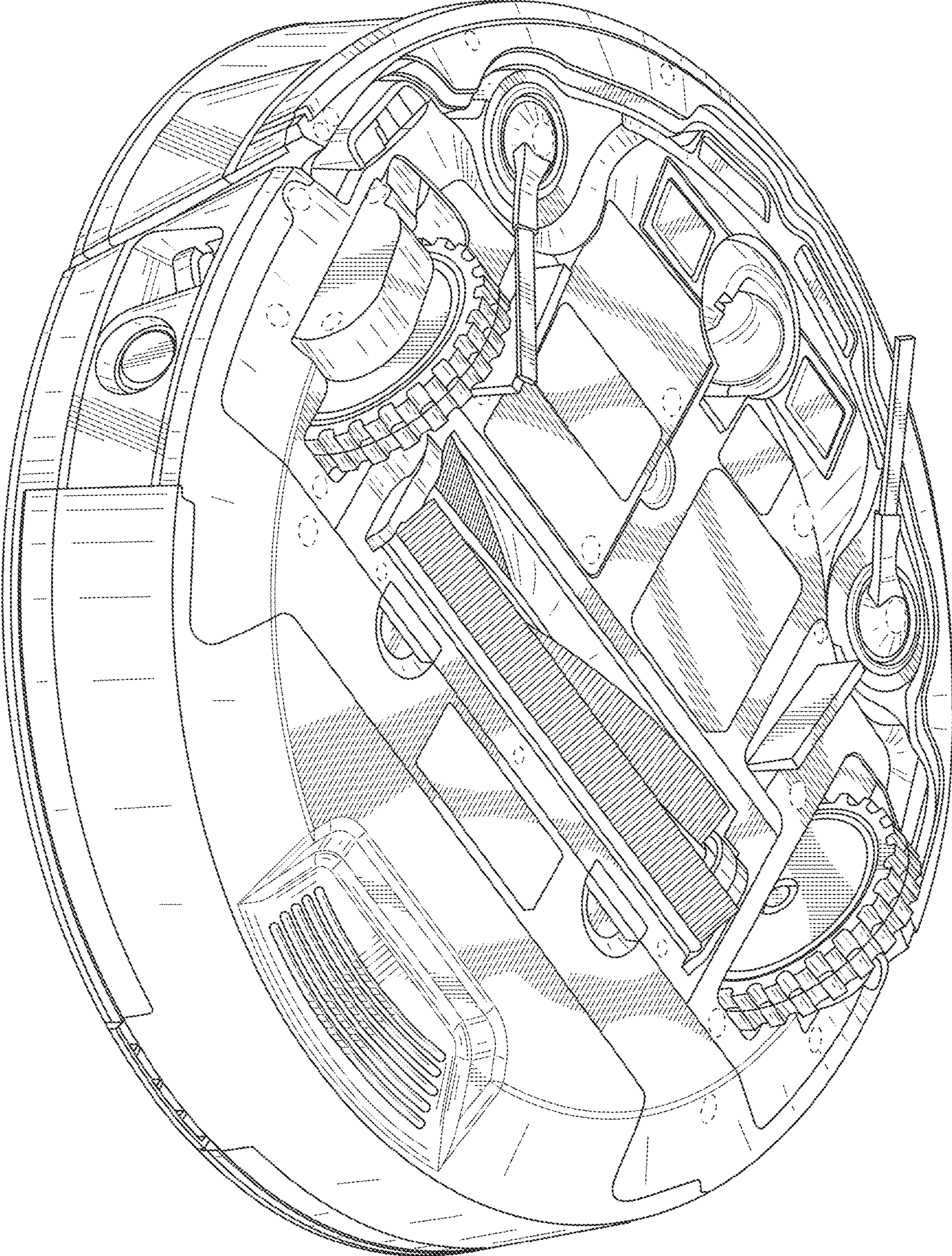


FIG. 10

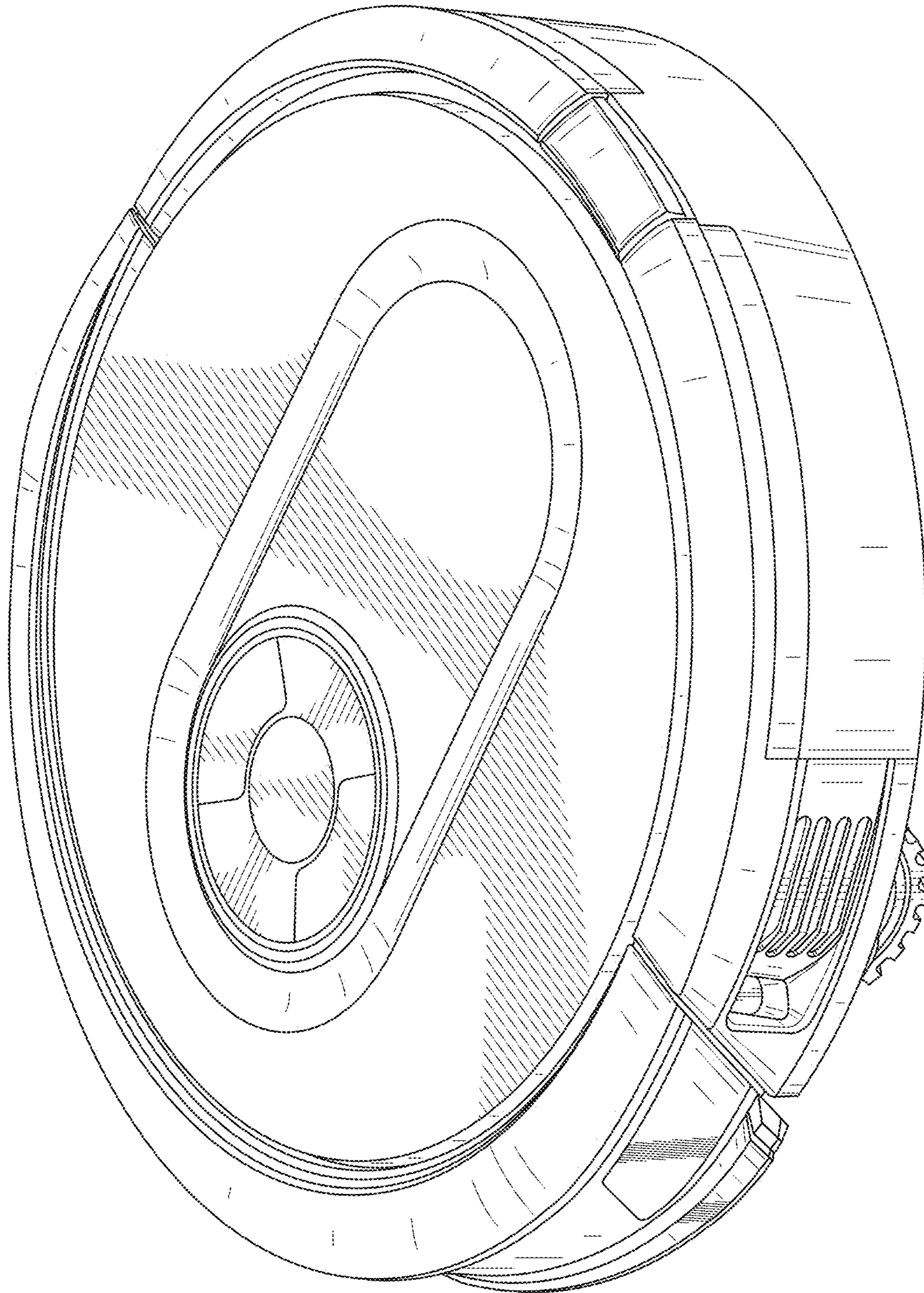


FIG. 11

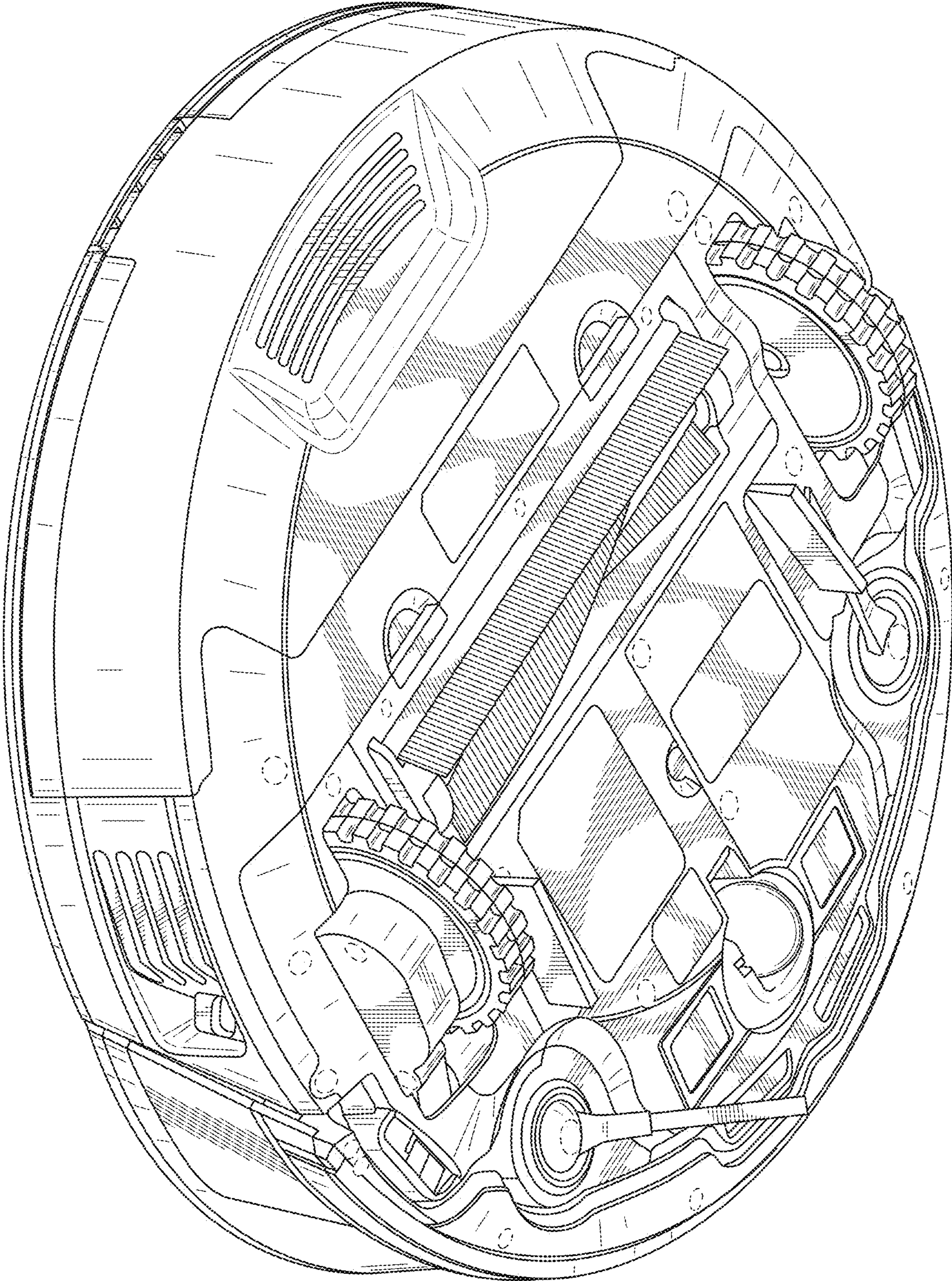


FIG. 12

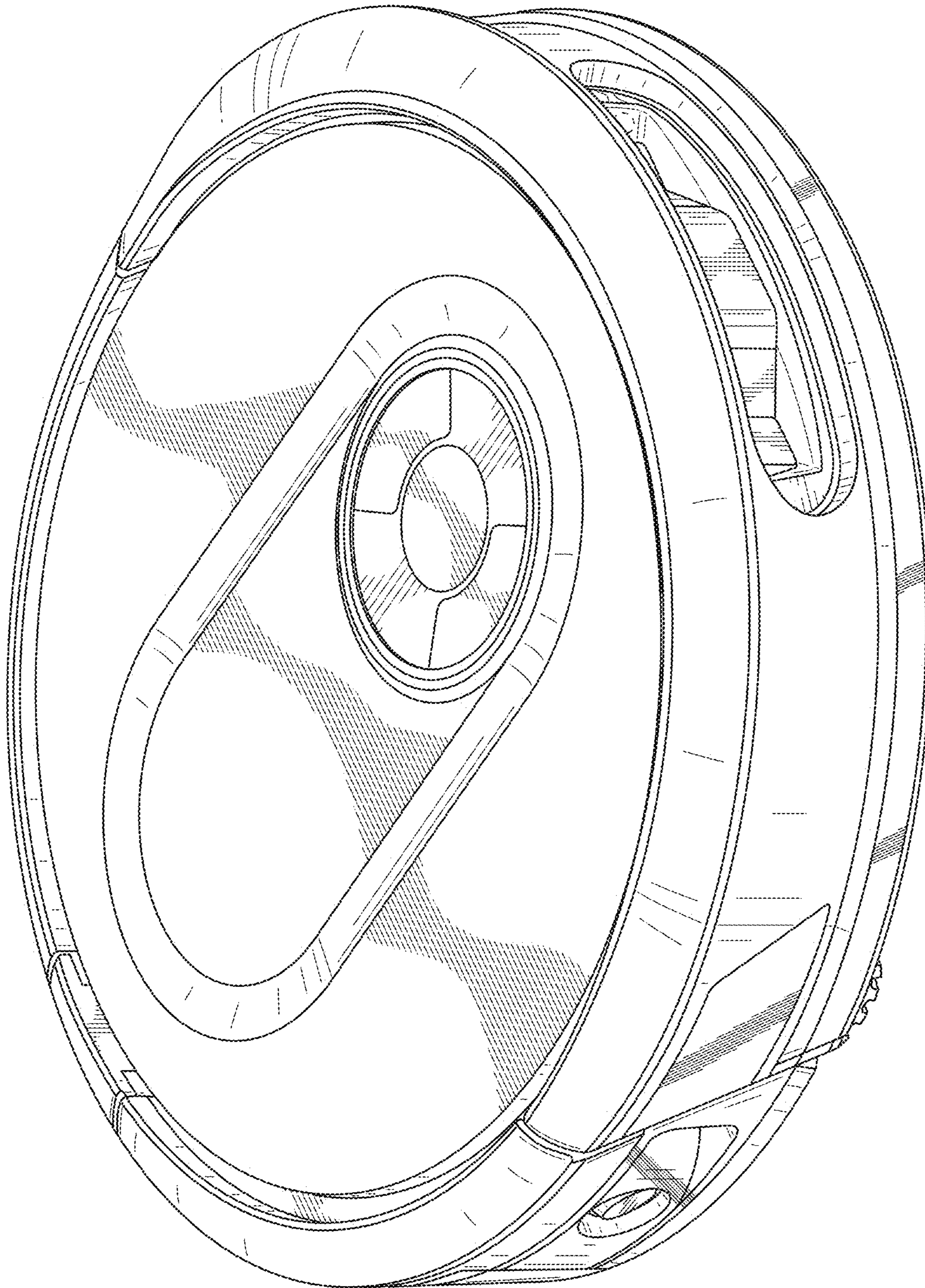


FIG. 13

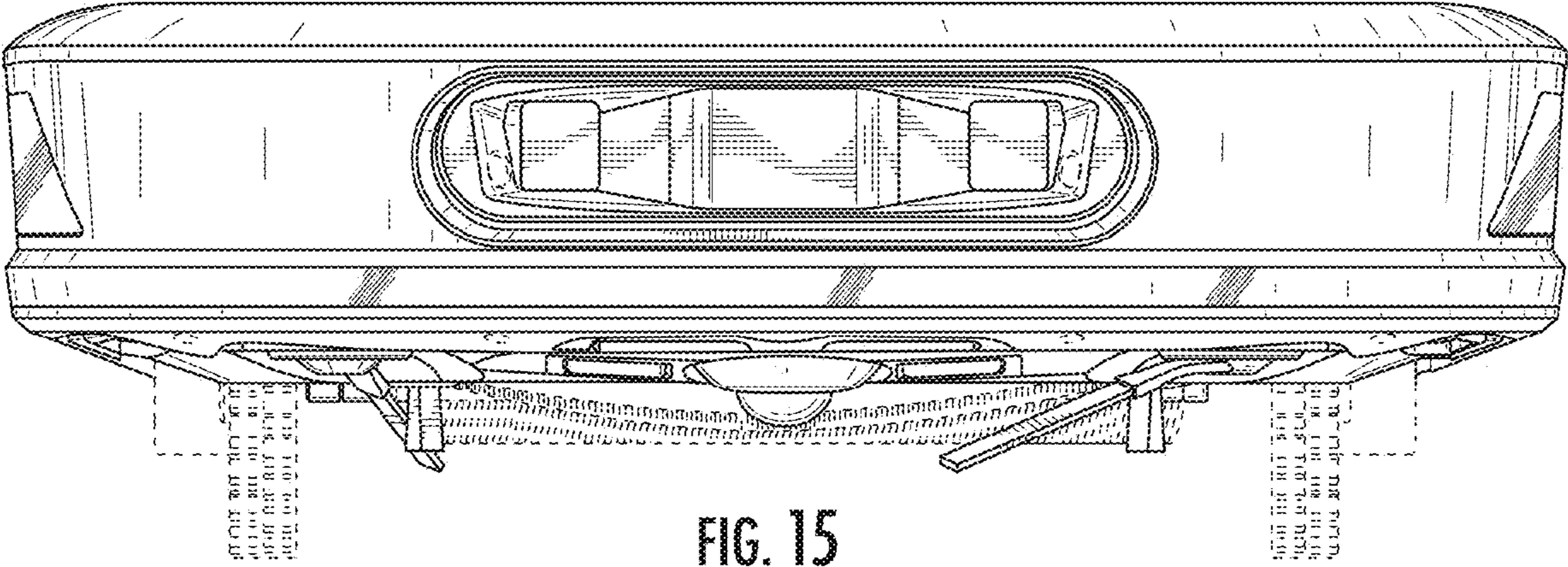


FIG. 15

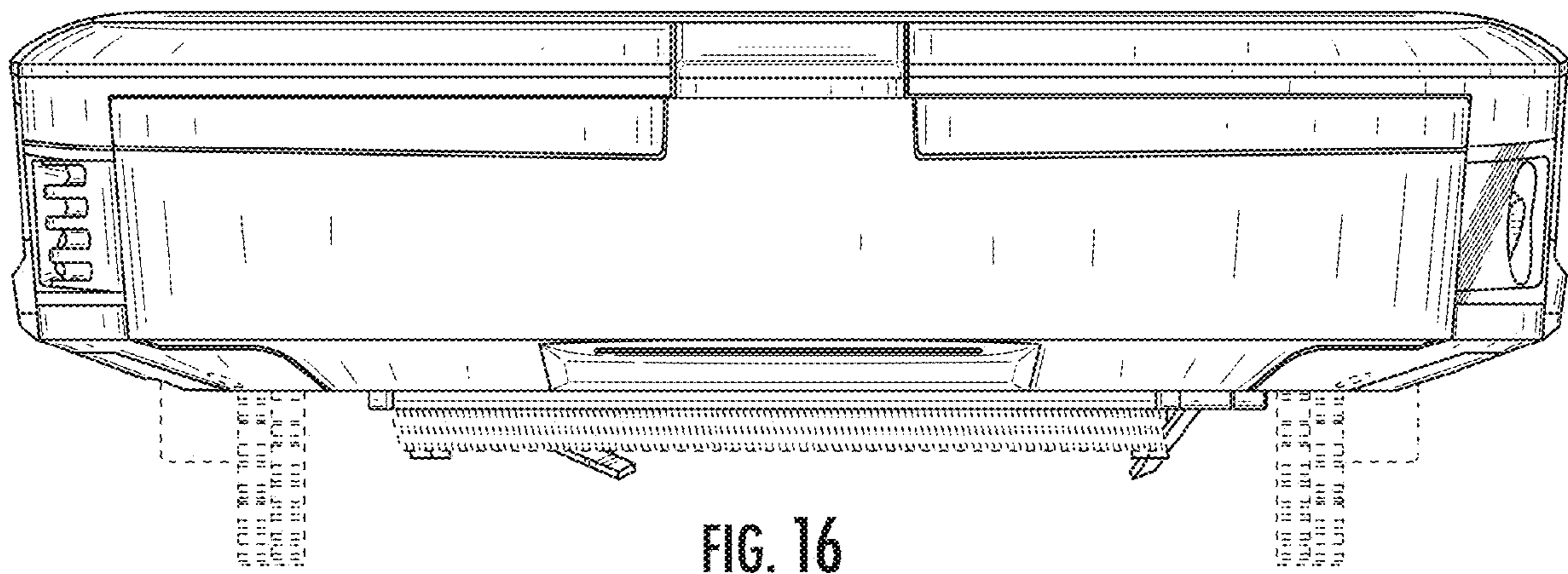


FIG. 16

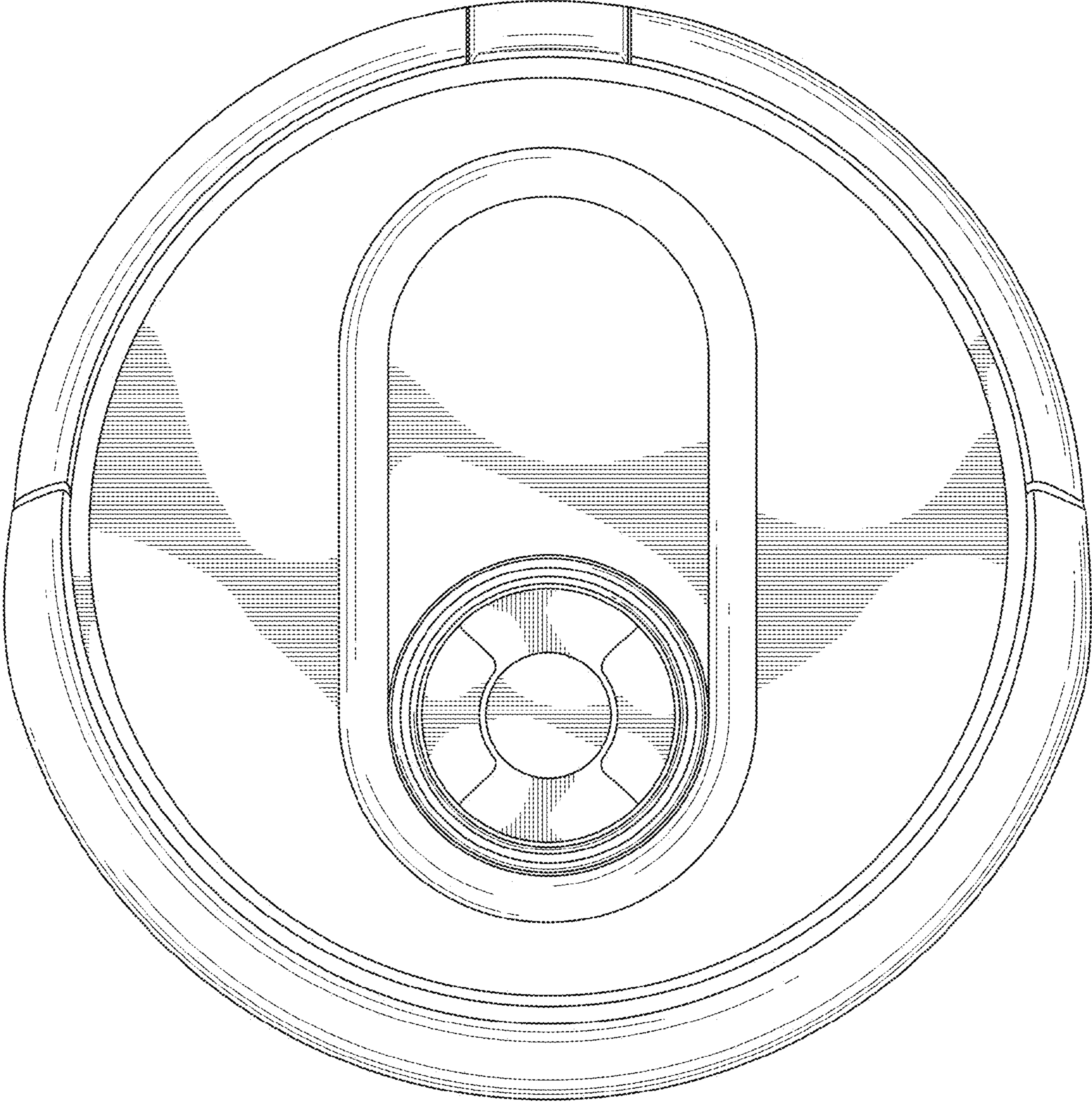


FIG. 17

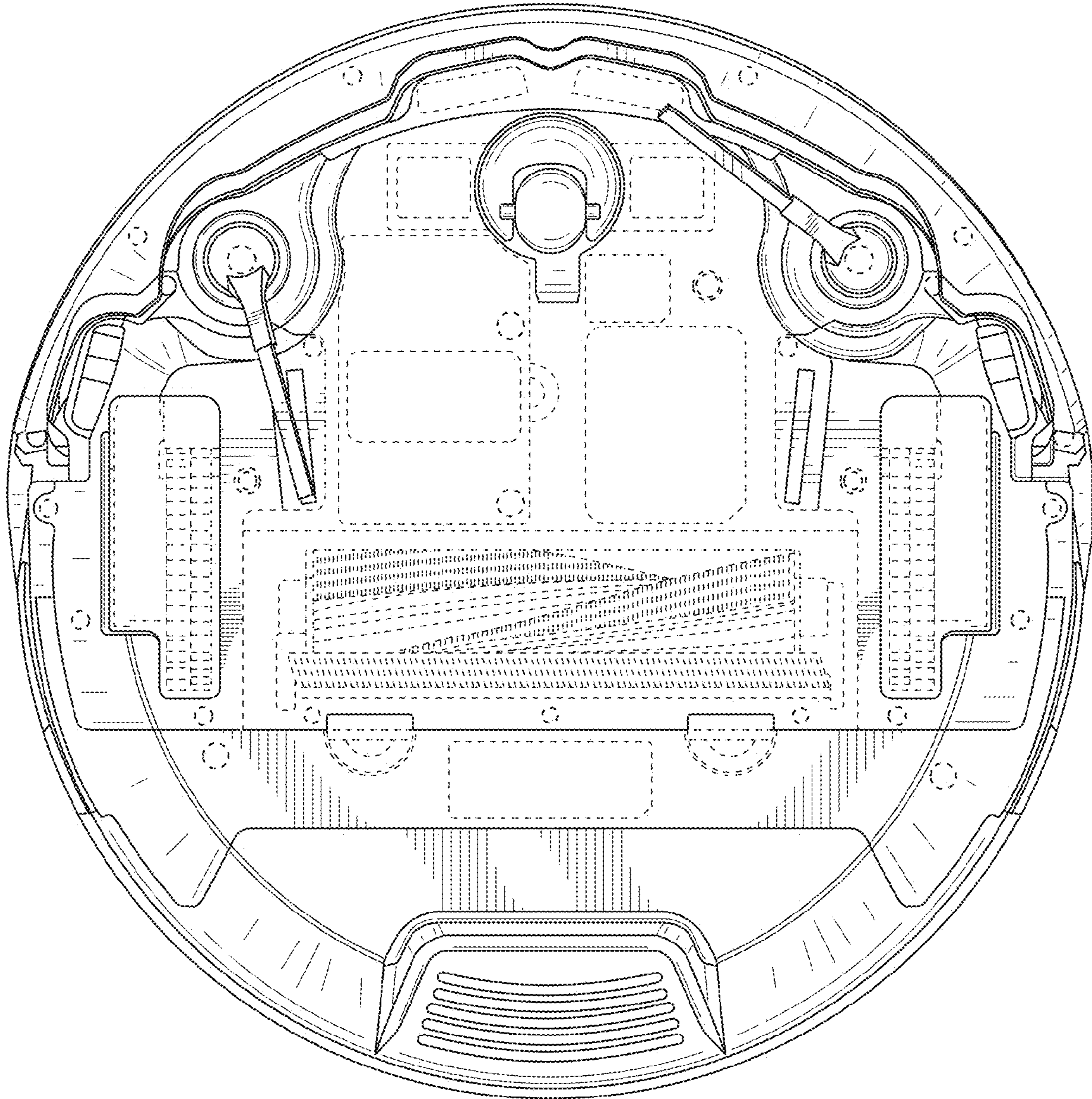


FIG. 18

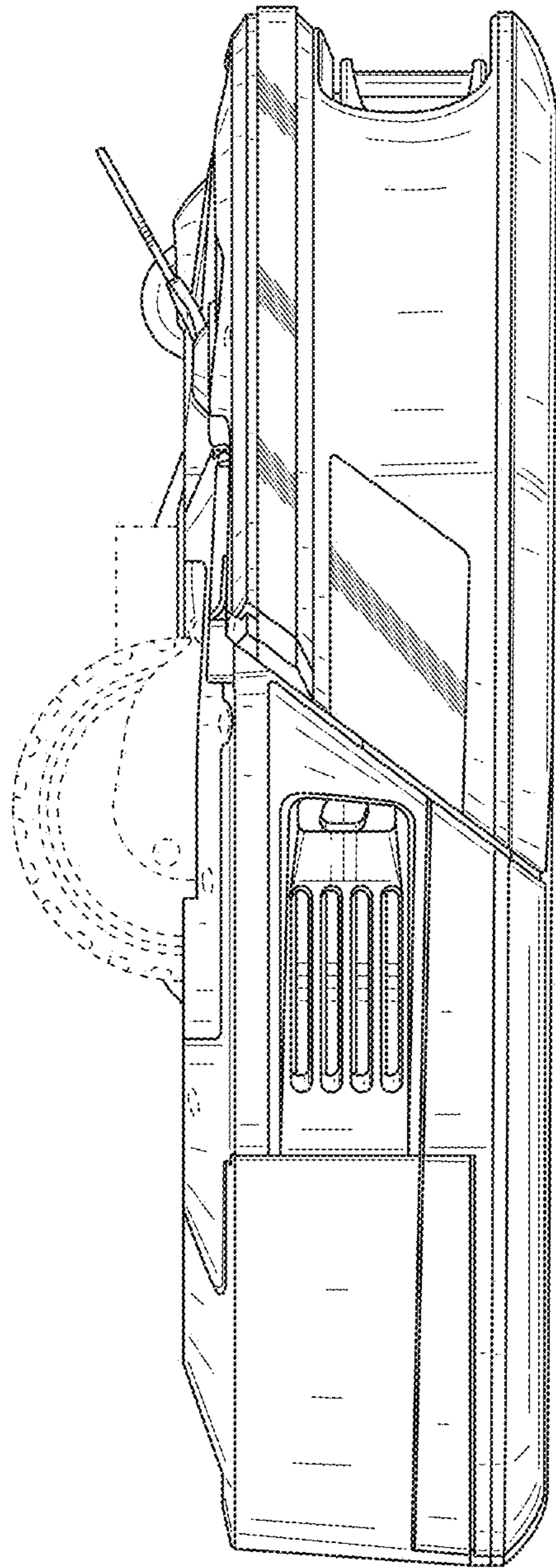


FIG. 19

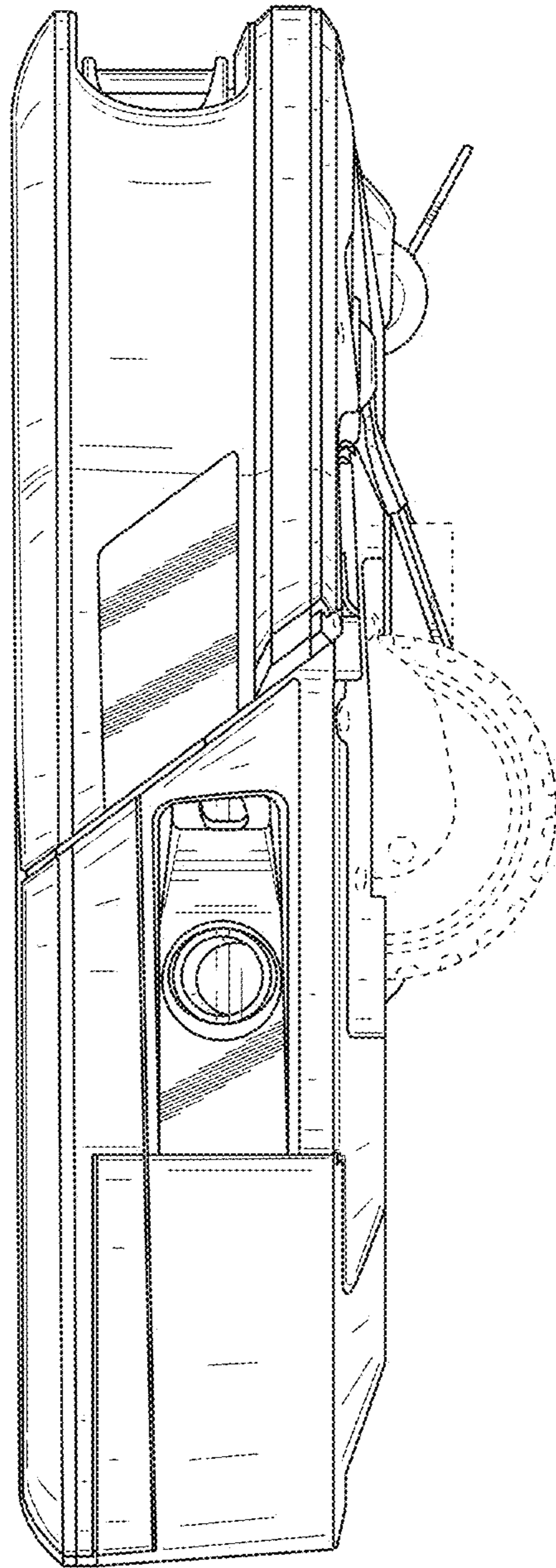


FIG. 20

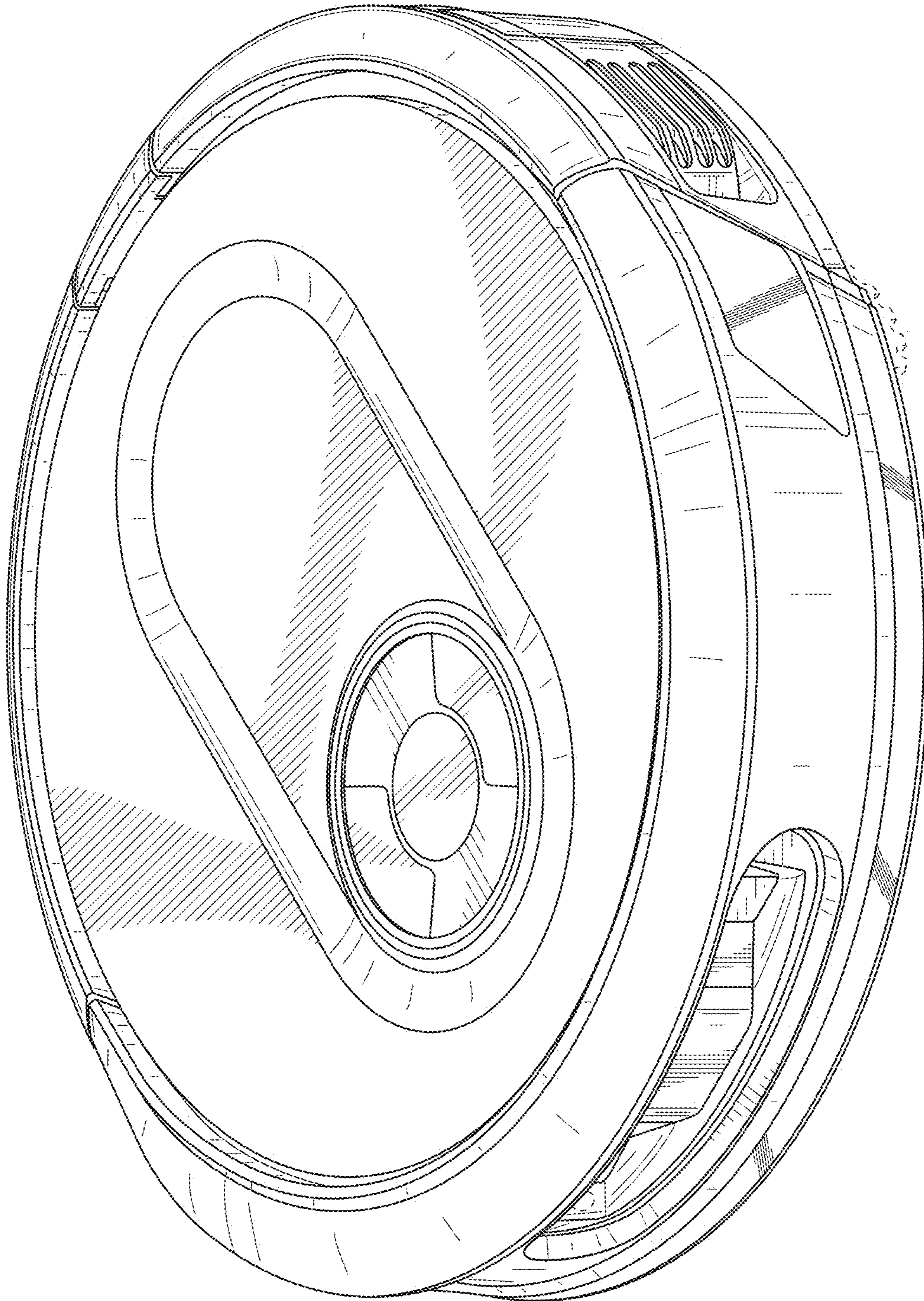


FIG. 21

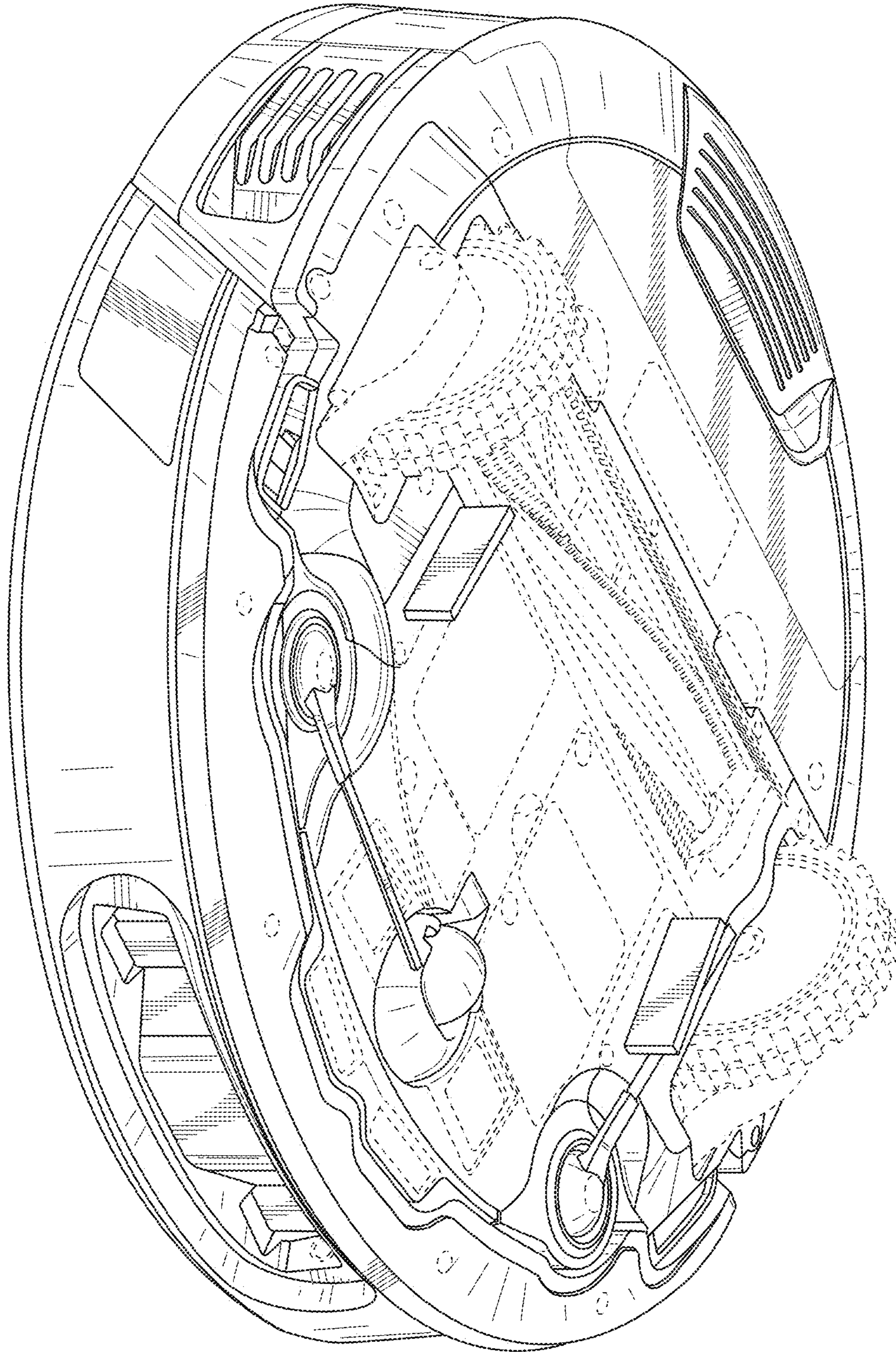


FIG. 22

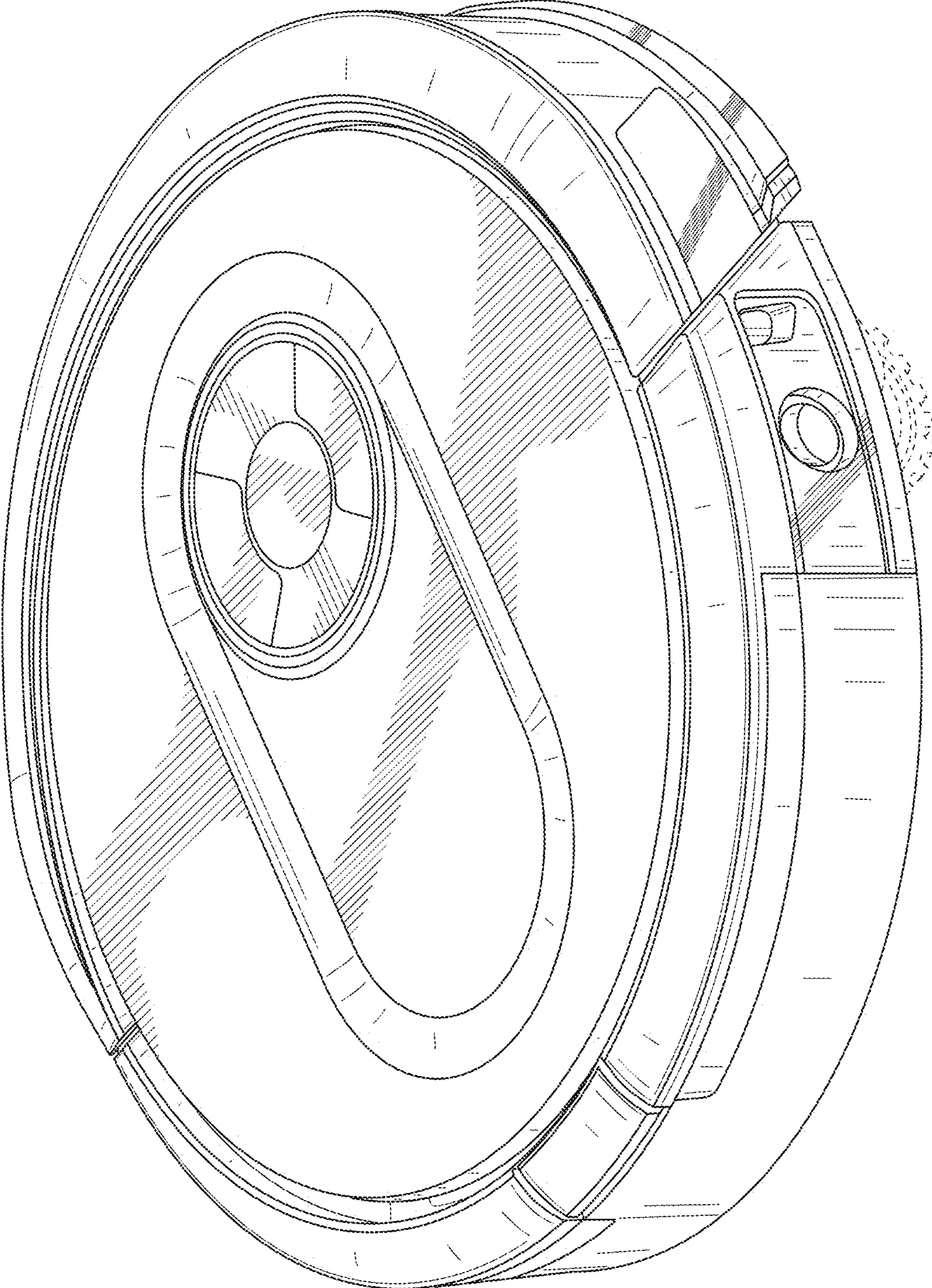


FIG. 23

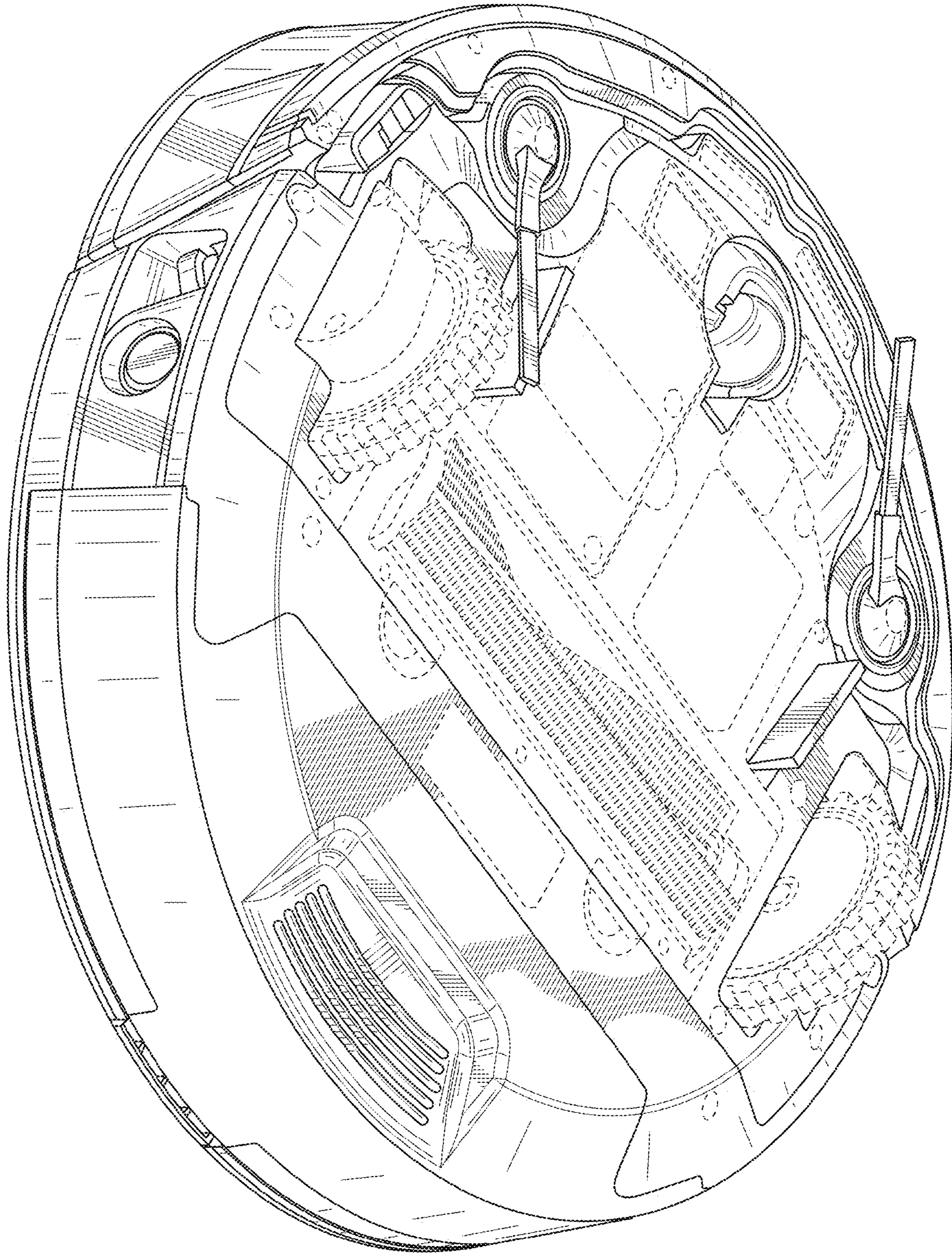


FIG. 24

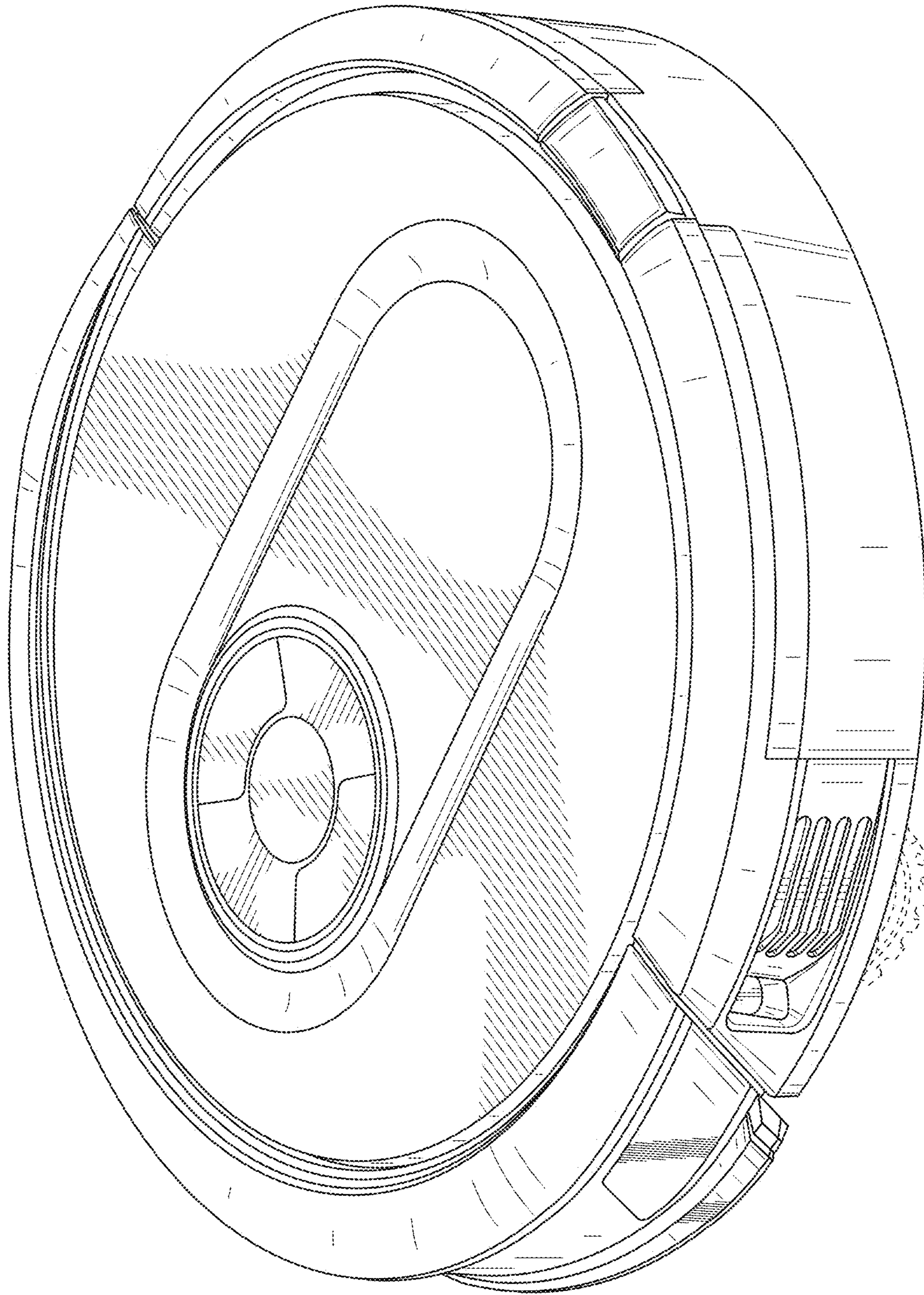


FIG. 25

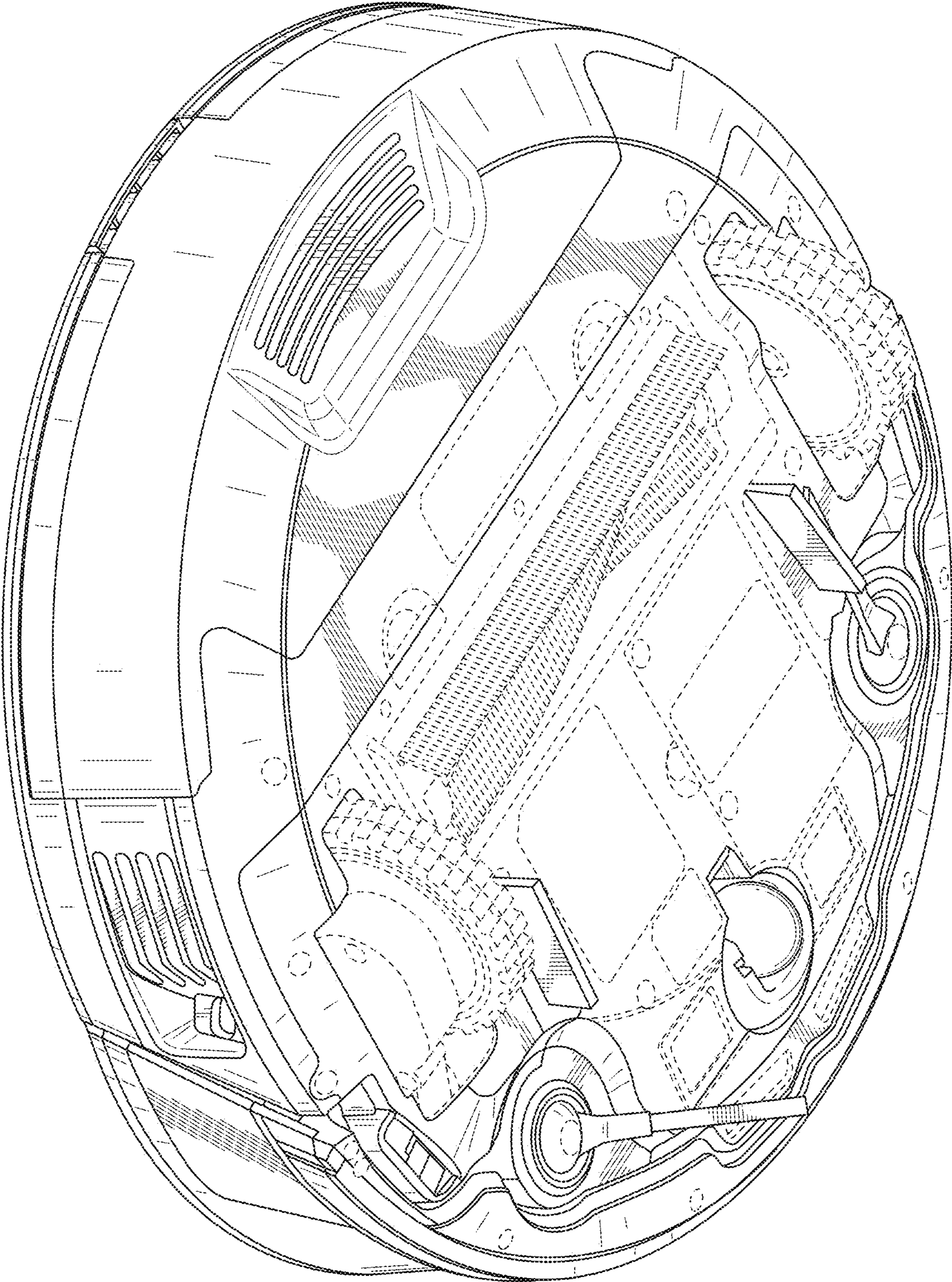


FIG. 26

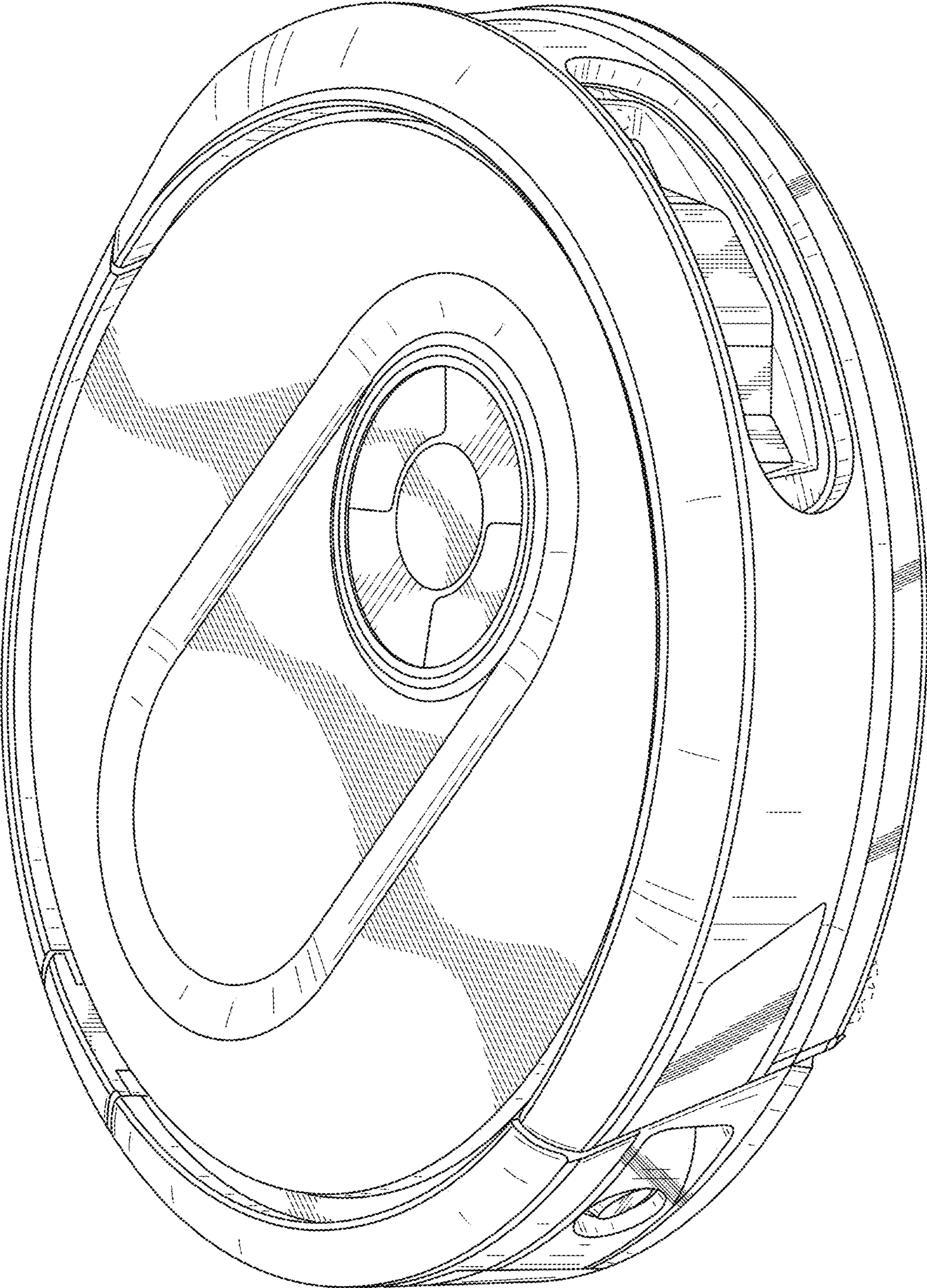


FIG. 27

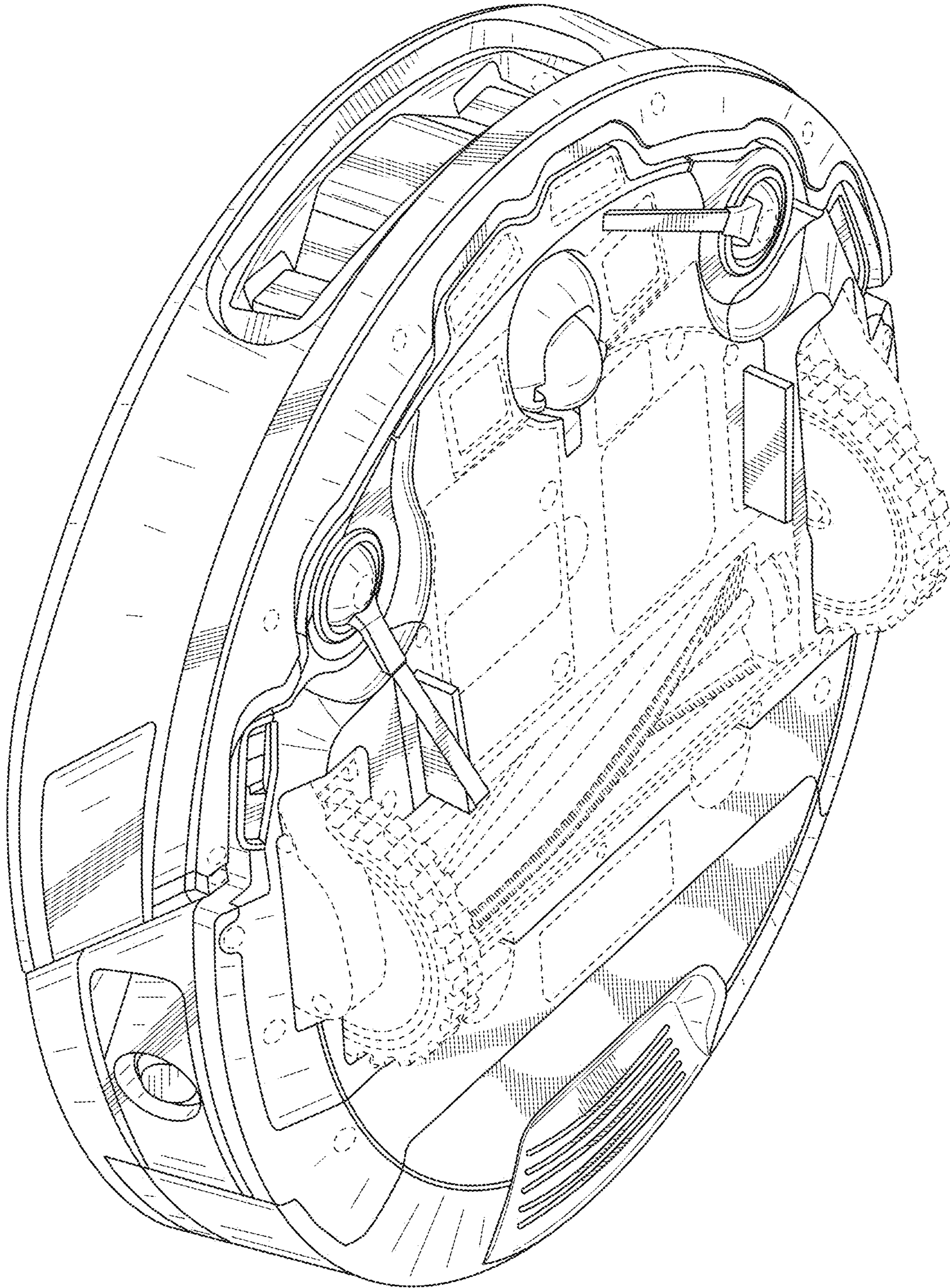


FIG. 28