

US00D948142S

(12) **United States Design Patent**
He

(10) **Patent No.:** **US D948,142 S**

(45) **Date of Patent:** **** Apr. 5, 2022**

(54) **VACUUM CLEANER**

(71) Applicant: **TINECO INTELLIGENT TECHNOLOGY CO., LTD.**, Suzhou (CN)

(72) Inventor: **Wujia He**, Suzhou (CN)

(73) Assignee: **TINECO INTELLIGENT TECHNOLOGY CO., LTD.**, Suzhou (CN)

(**) Term: **15 Years**

(21) Appl. No.: **29/696,666**

(22) Filed: **Jun. 28, 2019**

(30) **Foreign Application Priority Data**

Feb. 21, 2019 (CN) 201930076293.5

(51) **LOC (13) Cl.** **15-05**

(52) **U.S. Cl.**
USPC **D32/18**

(58) **Field of Classification Search**
USPC D32/17, 18, 22, 31; D21/526
CPC A47L 5/24; A47L 5/28; A47L 5/30; A47L 5/34; A47L 5/36; A47L 9/04; A47L 9/102; A47L 9/106; A47L 11/30; A47L 11/302; A47L 11/4005; A47L 11/4008; A47L 11/4044; B04C 5/185; B23Q 11/0046; B23Q 11/0071; E04H 4/1636
See application file for complete search history.

(56) **References Cited**

U.S. PATENT DOCUMENTS

D668,010 S *	9/2012	Stickney	D32/18
D730,599 S *	5/2015	Uim	D32/18
D739,102 S *	9/2015	Dyson	D32/21
D800,980 S *	10/2017	Carter	D32/21
D818,223 S *	5/2018	Nam	D32/18
D821,044 S *	6/2018	Cao	D32/18

D821,667 S *	6/2018	Nam	D32/18
D826,493 S *	8/2018	Nam	D32/18
D830,017 S *	10/2018	Nam	D32/22
D839,510 S *	1/2019	Nam	D32/18

(Continued)

FOREIGN PATENT DOCUMENTS

EM	006109617-0001	*	2/2019
EM	006109617-0002	*	2/2019

(Continued)

OTHER PUBLICATIONS

Jashen V12 Cordless Stick Vacuum Cleaner (Review), announced in YouTube on Apr. 17, 2019 [online], [site visited Apr. 2, 2021], Available from the internet URL: <https://www.youtube.com/watch?v=fg-Nf3Pr3fg> (Year: 2019).*

(Continued)

Primary Examiner — Dana K Weiland

Assistant Examiner — Jennylou M Binas

(74) *Attorney, Agent, or Firm* — Maschoff Brennan

(57) **CLAIM**

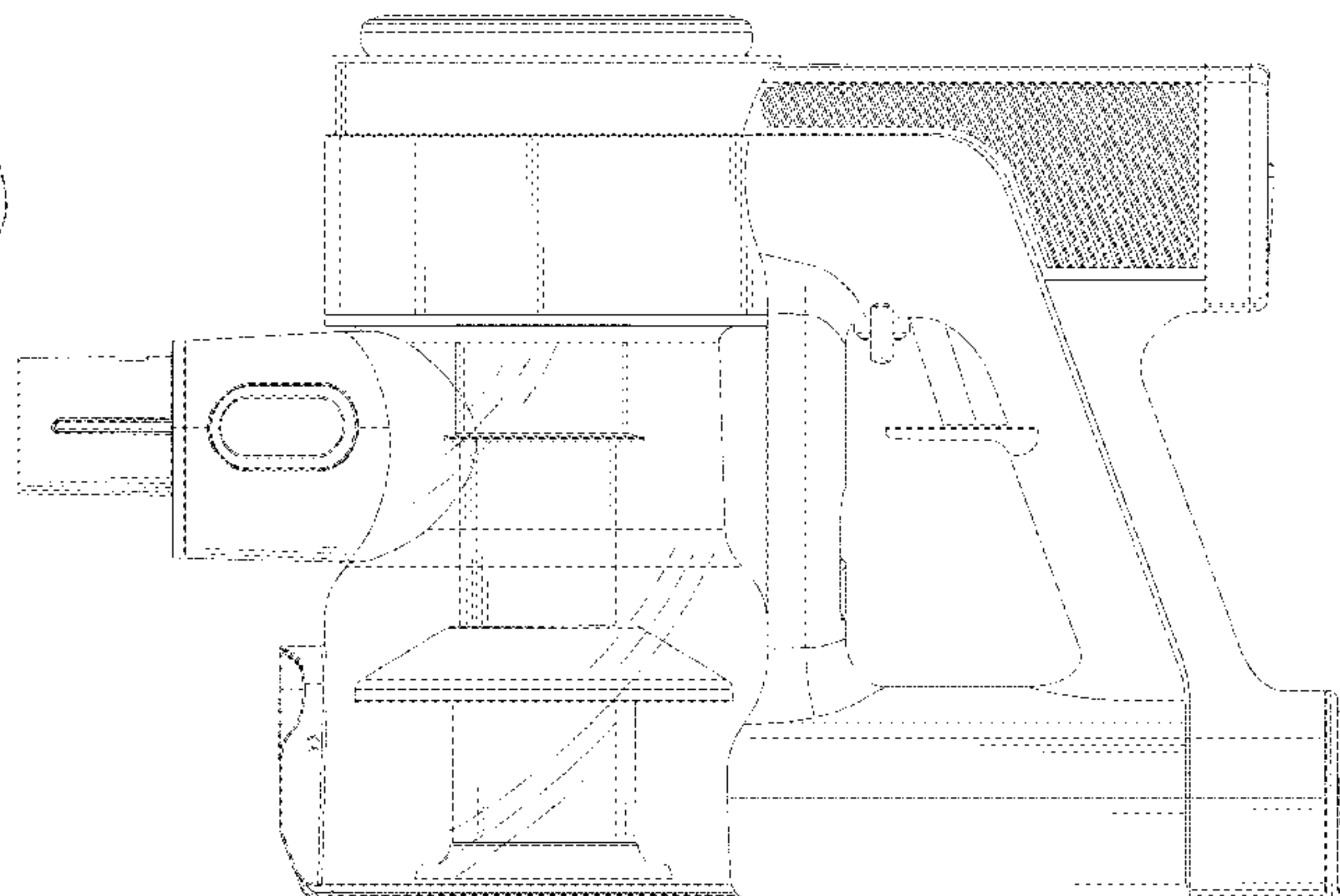
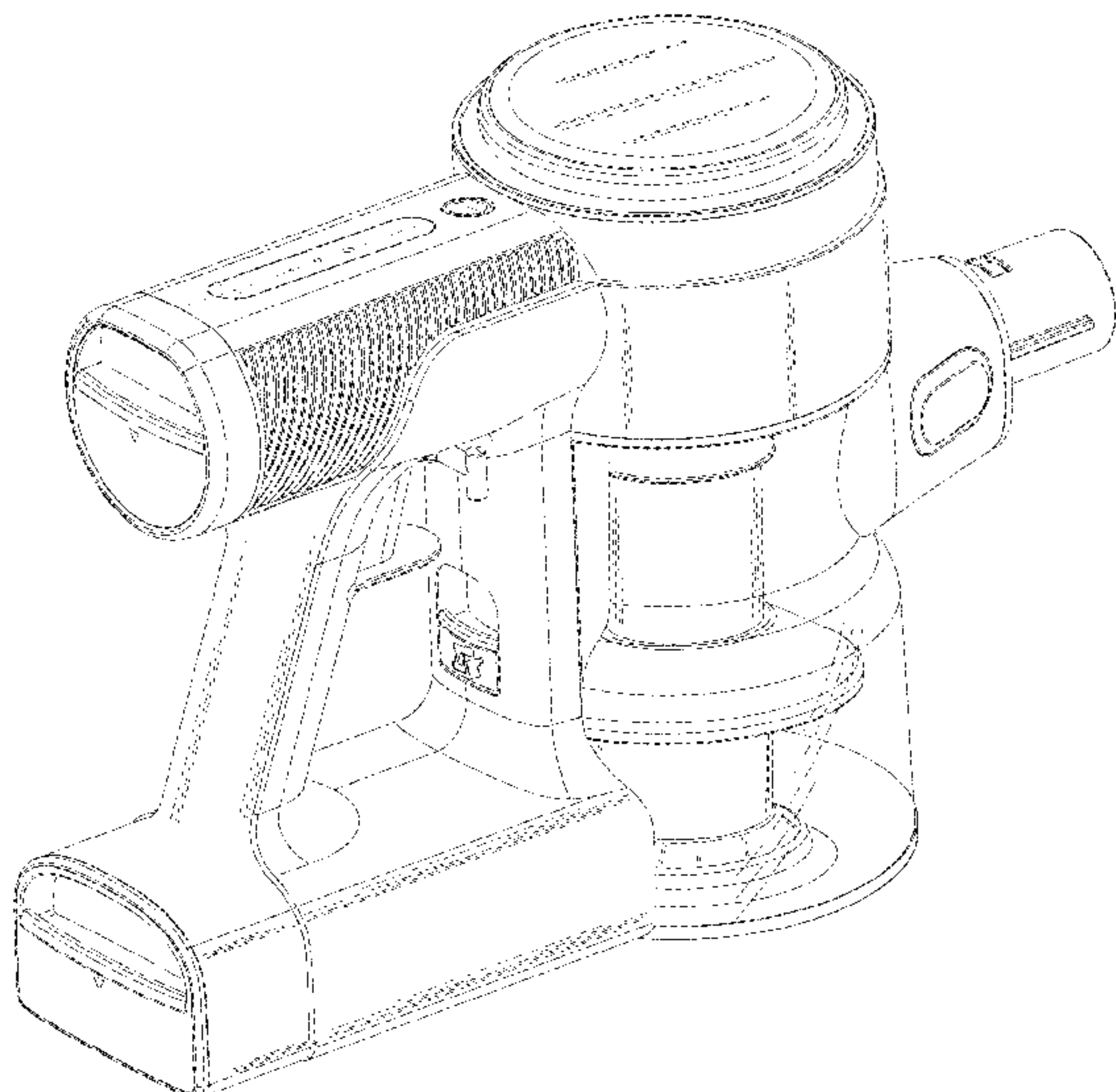
I claim the ornamental design for a vacuum cleaner, as shown and described.

DESCRIPTION

FIG. 1 is a perspective view of a vacuum cleaner showing the new design;
FIG. 2 is a front elevational view thereof;
FIG. 3 is a rear elevational view thereof;
FIG. 4 is a left side, elevational view thereof;
FIG. 5 is a right side, elevational view thereof;
FIG. 6 is a top plan view thereof; and,
FIG. 7 is a bottom plan view thereof.

The dotted lines and dashed broken lines in the drawings depict portion of the vacuum cleaner that form no part of the claimed design.

1 Claim, 6 Drawing Sheets



(56)

References Cited

U.S. PATENT DOCUMENTS

D844,912 S * 4/2019 Gammack D32/18
 D846,212 S * 4/2019 Gammack D32/22
 D854,266 S * 7/2019 Gammack D32/18
 D868,400 S * 11/2019 Niedzwecki D32/18
 D871,695 S * 12/2019 Niedzwecki D32/22
 D872,394 S * 1/2020 Yang D32/18
 D872,952 S * 1/2020 Yang D32/18
 D874,758 S * 2/2020 Schroeter D32/18
 D874,759 S * 2/2020 Tang D32/18
 D879,395 S * 3/2020 Pearce D32/18
 D897,616 S * 9/2020 Chen D32/22
 D902,510 S * 11/2020 Knight Adams D32/22
 D905,360 S * 12/2020 Ma D32/22
 D905,919 S * 12/2020 Niedzwecki D32/34
 D908,990 S * 1/2021 Chen D32/22
 D912,344 S * 3/2021 Choi D32/22
 D915,697 S * 4/2021 Kim B01D 46/0023
 D32/18
 11,013,386 B2 * 5/2021 Zhu A47L 9/2884
 D922,010 S * 6/2021 Lin D32/18
 D927,103 S * 8/2021 Zou D32/18
 D927,803 S * 8/2021 Zou D32/18
 D929,685 S * 8/2021 Choi D32/18
 D929,686 S * 8/2021 Uim D32/18

D932,124 S * 9/2021 Lin D32/22
 D935,713 S * 11/2021 Ma D32/22
 D936,311 S * 11/2021 Liu D32/18

FOREIGN PATENT DOCUMENTS

EM 006597027-0001 * 7/2019
 EM 006597050-0001 * 7/2019
 EM 006597068-0001 * 7/2019
 KR 301062021.0000 * 6/2020
 WO D212591-001 * 2/2021

OTHER PUBLICATIONS

Dyson V11 Torque Drive vs Tineco Pure One S12, announced in YouTube on Jun. 14, 2019 [online], [site visited Apr. 2, 2021], Available from the internet URL: <https://www.youtube.com/watch?v=r99cgnjghFw> (Year: 2019).*

Mizili Cordless Vacuum Cleaner, available in Amazon.com, date first available Jun. 1, 2020 [online], [site visited Apr. 2, 2021], Available from the internet . . . URL: https://www.amazon.co.uk/Muzili-Cordless-Efficient-Filtration-Lightweight/dp/B089K7P8LH/ref=pd_di_sccai_6?pd_rd_w=3Tp5H&pf_rd_p=f45e6bfc-40b0-4749-aceb-1ea1cd205758&pf_rd_r=DP9A6Y702QX2MJKMY537&pd_rd_r=7daf9073-682d-416b-8a49-67e87825772d&pd_rd_wg=omN (Year: 2020).*

* cited by examiner

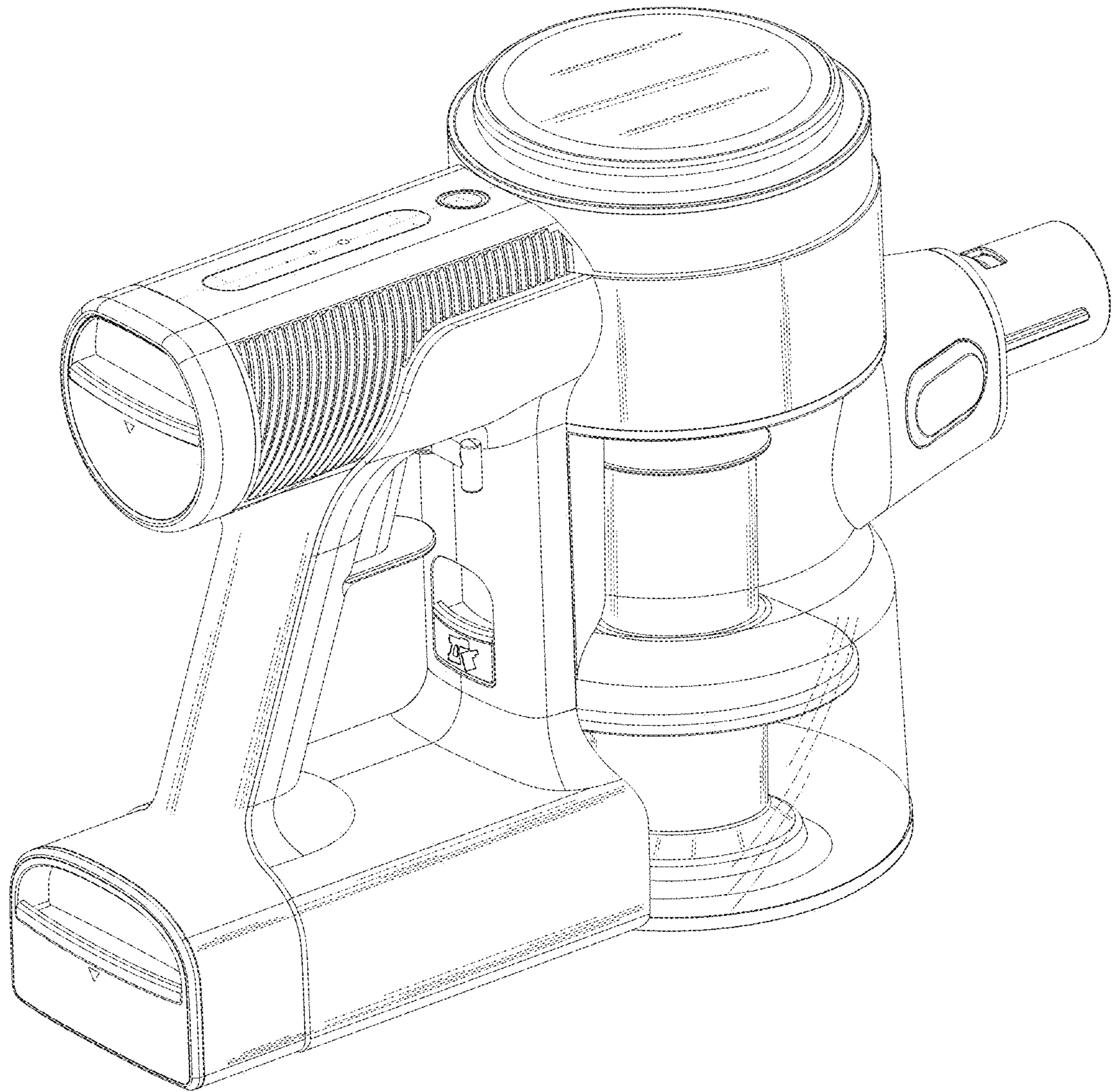


FIG.1

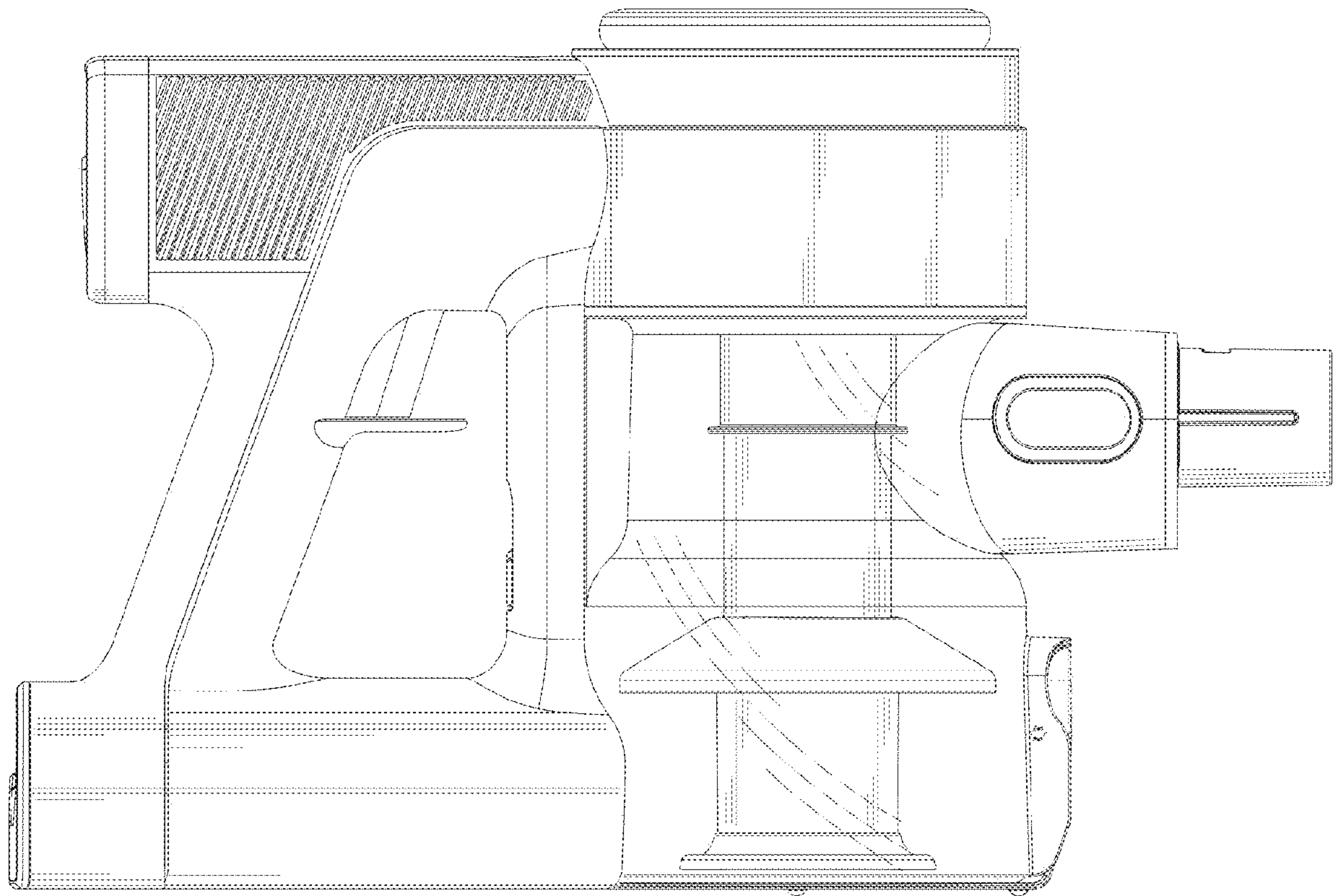


FIG.2

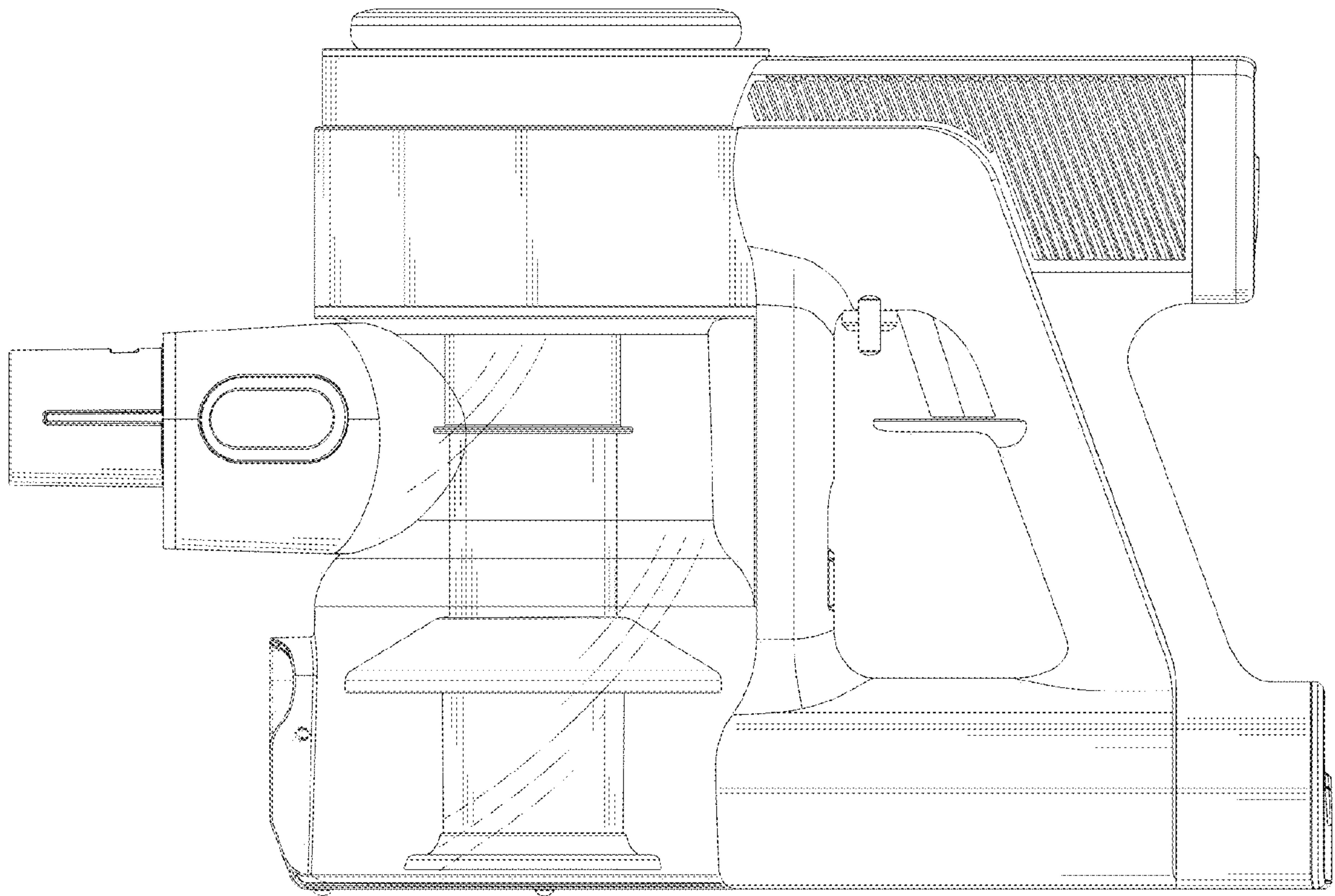


FIG.3

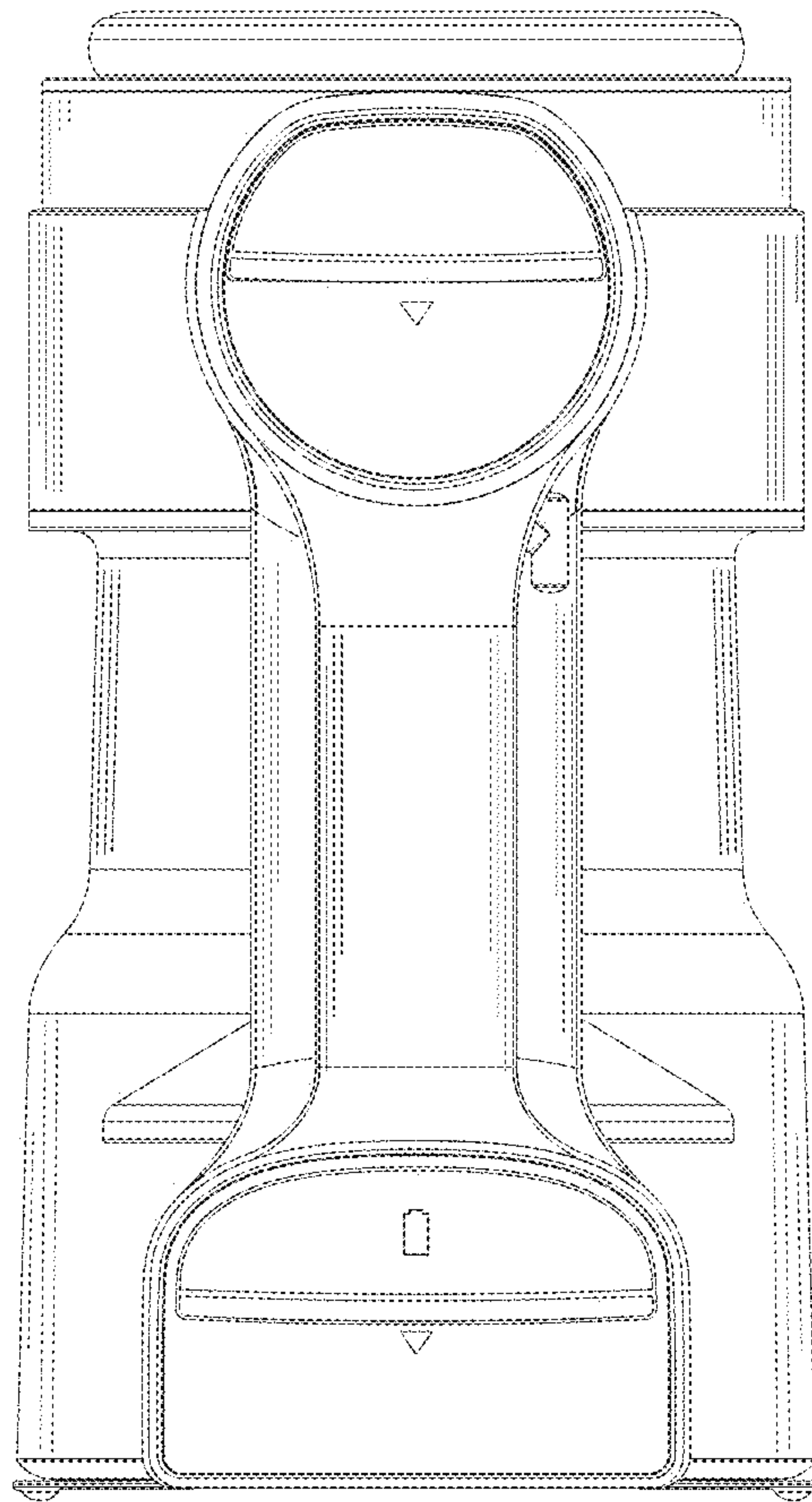


FIG.4

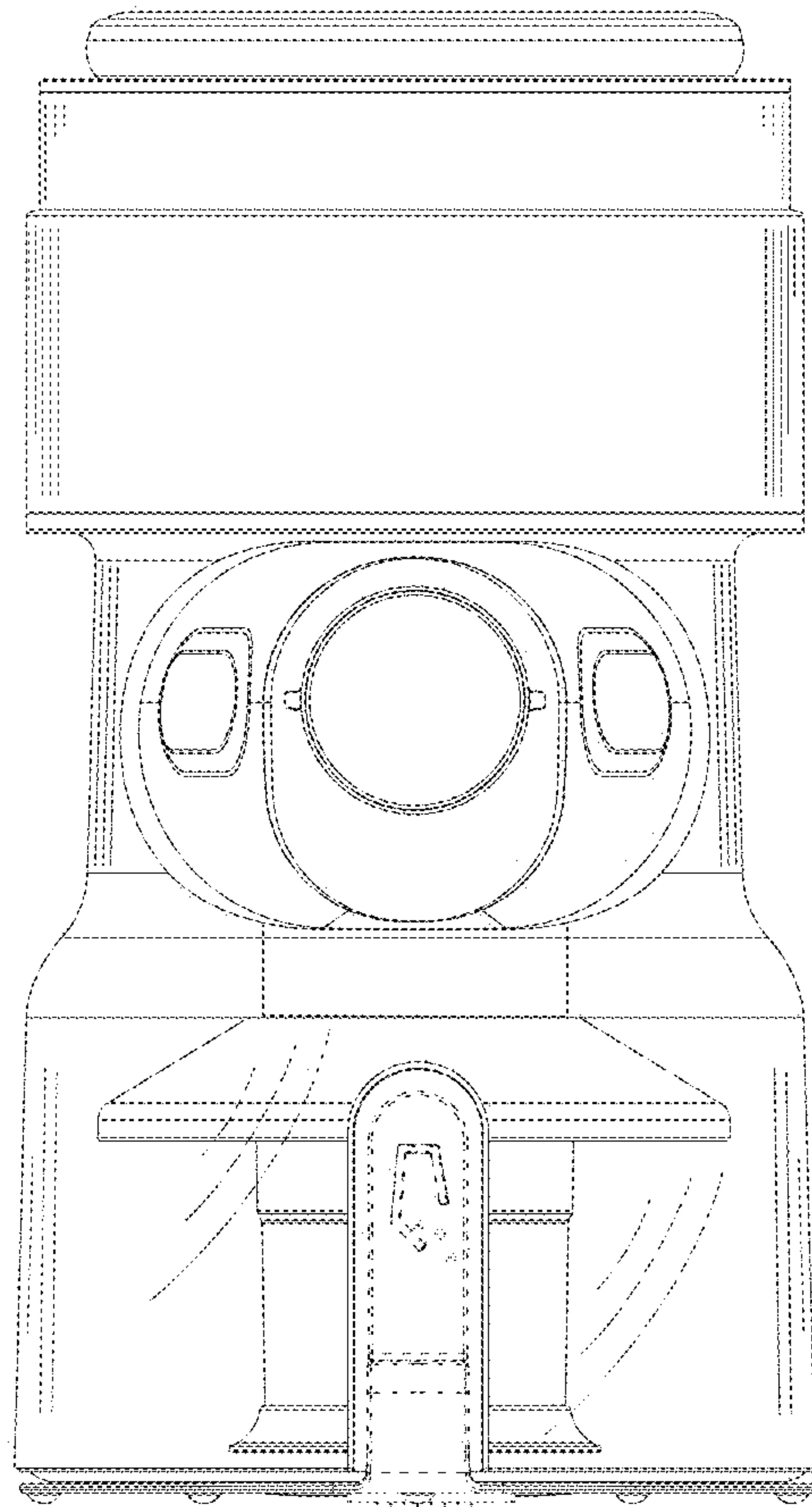


FIG.5

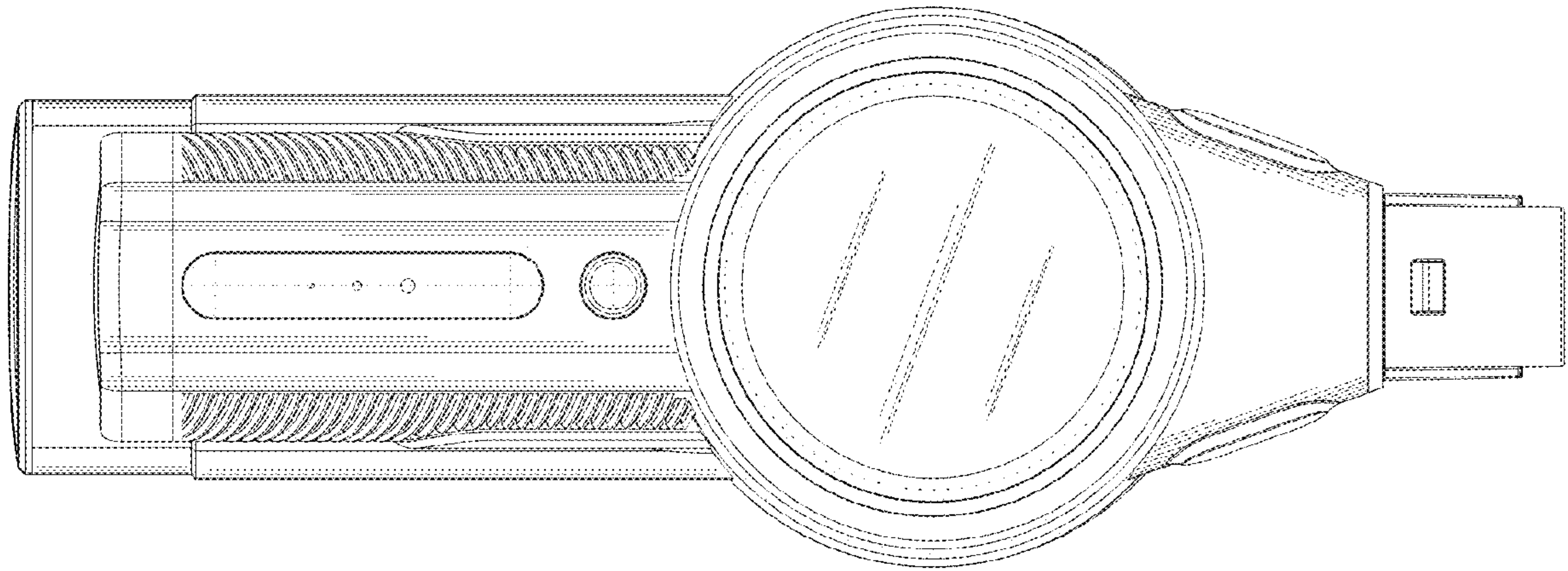


FIG. 6

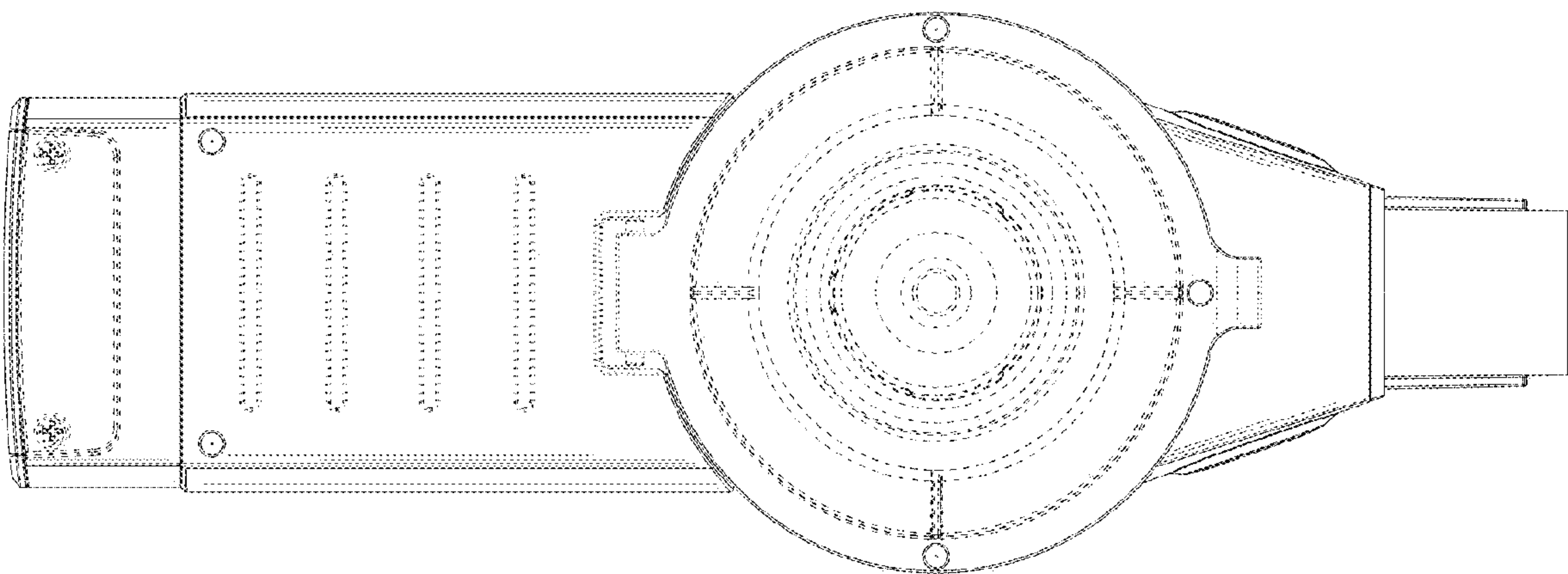


FIG. 7