



US00D948141S

(12) **United States Design Patent** (10) **Patent No.:** **US D948,141 S**
Cahen et al. (45) **Date of Patent:** **** Apr. 5, 2022**

(54) **HANDHELD STEAMER FOR CLOTHING** D670,876 S * 11/2012 Vrdoljak D32/17
8,366,023 B1 * 2/2013 Lin B05B 9/0872
(71) Applicant: **Laurastar SA**, Châtel-St-Denis (CH) 239/375
D776,887 S * 1/2017 Deffrennes D32/17
(72) Inventors: **Antoine Cahen**, Lausanne (CH); 2010/0024492 A1 * 2/2010 Leung D06F 73/00
Philippe Cahen, Lutry (CH) 68/222
2011/0219646 A1 * 9/2011 Vrdoljak D06F 75/16
(73) Assignee: **Laurastar S.A.**, Châtel-St-Denis (CH) 38/77.8
2019/0234006 A1 * 8/2019 Yan D06F 73/00
2020/0071874 A1 * 3/2020 Javit D06F 87/00
(**) Term: **15 Years** 2020/0123699 A1 * 4/2020 Gelus D06F 75/12

(21) Appl. No.: **35/509,637**

(22) Filed: **Dec. 16, 2019**

(80) **Hague Agreement Data**

Int. Filing Date: **Dec. 16, 2019**
Int. Reg. No.: **DM/206116**
Int. Reg. Date: **Dec. 16, 2019**
Int. Reg. Pub. Date: **Jun. 19, 2020**

(30) **Foreign Application Priority Data**

Jun. 18, 2019 (CH) 144760

(51) **LOC (13) Cl.** **15-05**

(52) **U.S. Cl.**
USPC **D32/17**

(58) **Field of Classification Search**
USPC D32/17, 18; D9/685, 741
CPC D06F 75/10; D06F 75/12; D06F 75/14;
D06F 75/16; D06F 75/18; D06F 87/00;
D06F 73/00

See application file for complete search history.

(56) **References Cited**

U.S. PATENT DOCUMENTS

4,705,191 A * 11/1987 Itzel B05B 11/0056
222/80
D362,806 S * 10/1995 Mason, Jr. D9/524
D367,815 S * 3/1996 Mason, Jr. D9/524
D669,364 S * 10/2012 Schaeffer D9/685

OTHER PUBLICATIONS

Youtube Hello I'm Iggi, Aug. 31, 2020, [online], [site visited May 21, 2021]. Retrieved from url:https://www.youtube.com/watch?v=i9lnhF96dQY (Year: 2020).*

* cited by examiner

Primary Examiner — Wendy L Arminio
Assistant Examiner — Tracey J Bell
(74) *Attorney, Agent, or Firm* — Andre Roland SA;
Nikolaus Schibli

(57) **CLAIM**

The ornamental design for hand-held steamer for clothing, as shown and described.

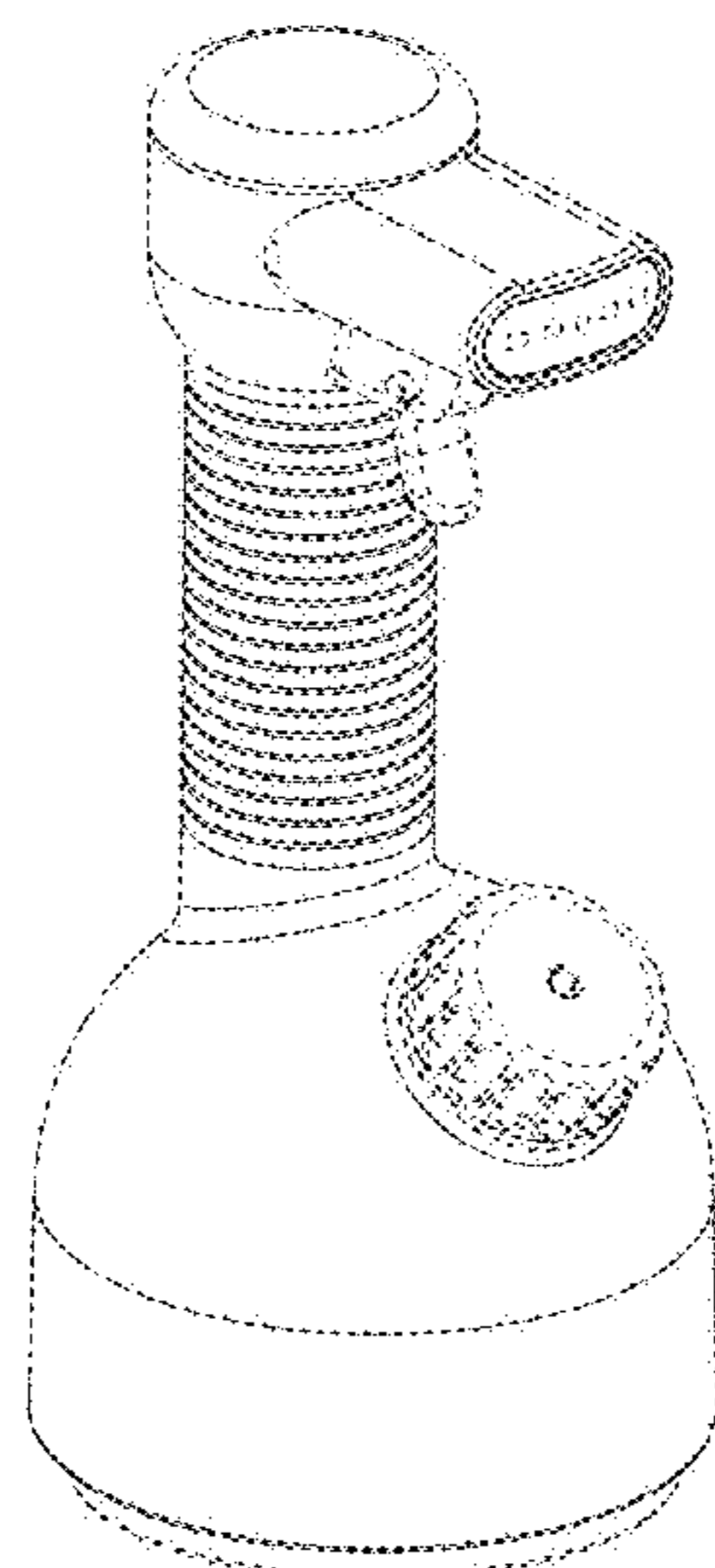
DESCRIPTION

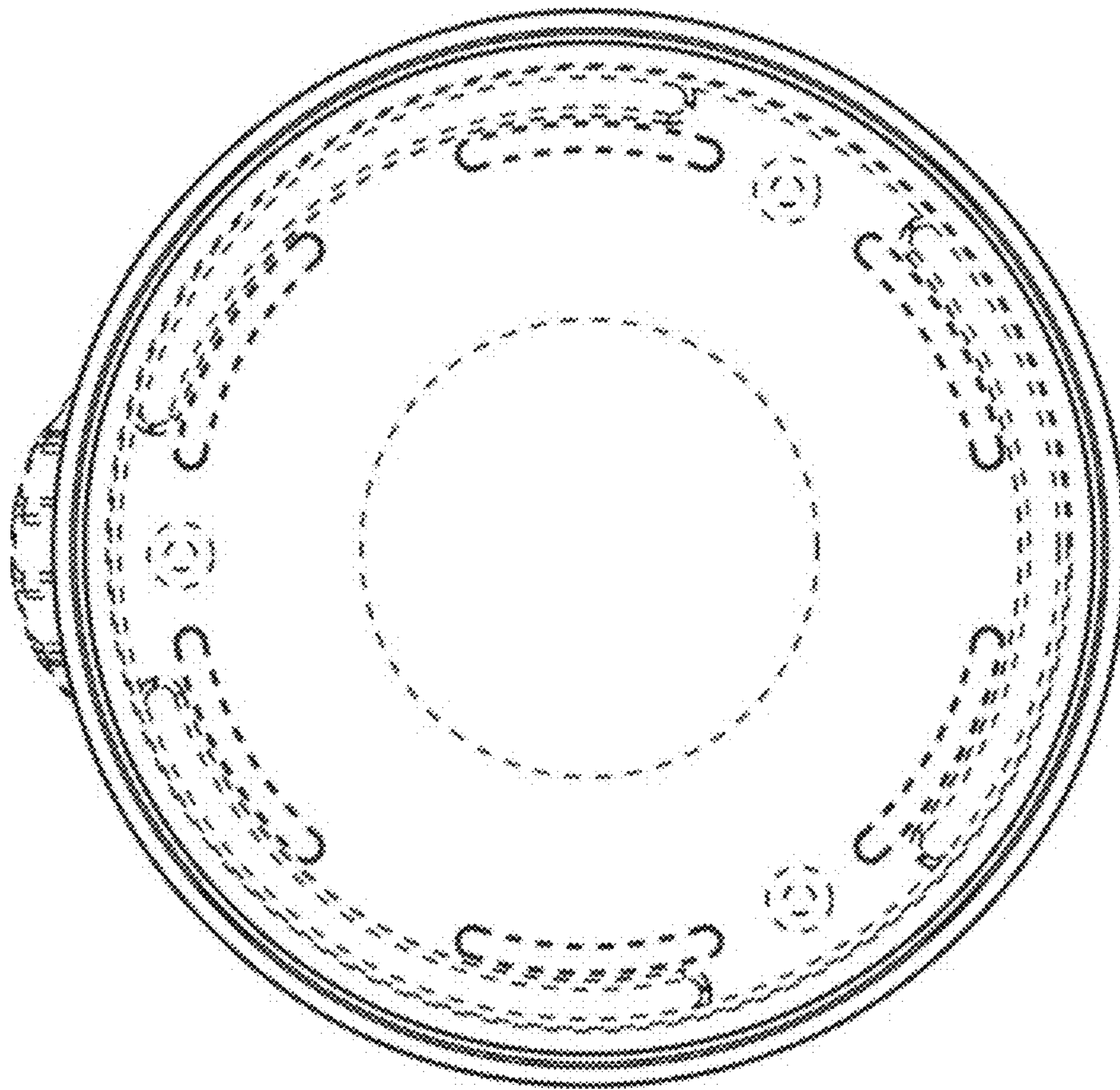
1. Hand-held steamer for clothing

- 1.1 : Bottom
- 1.2 : Left
- 1.3 : Top
- 1.4 : Front
- 1.5 : Right
- 1.6 : Back
- 1.7 : Bottom Perspective
- 1.8 : Top Perspective

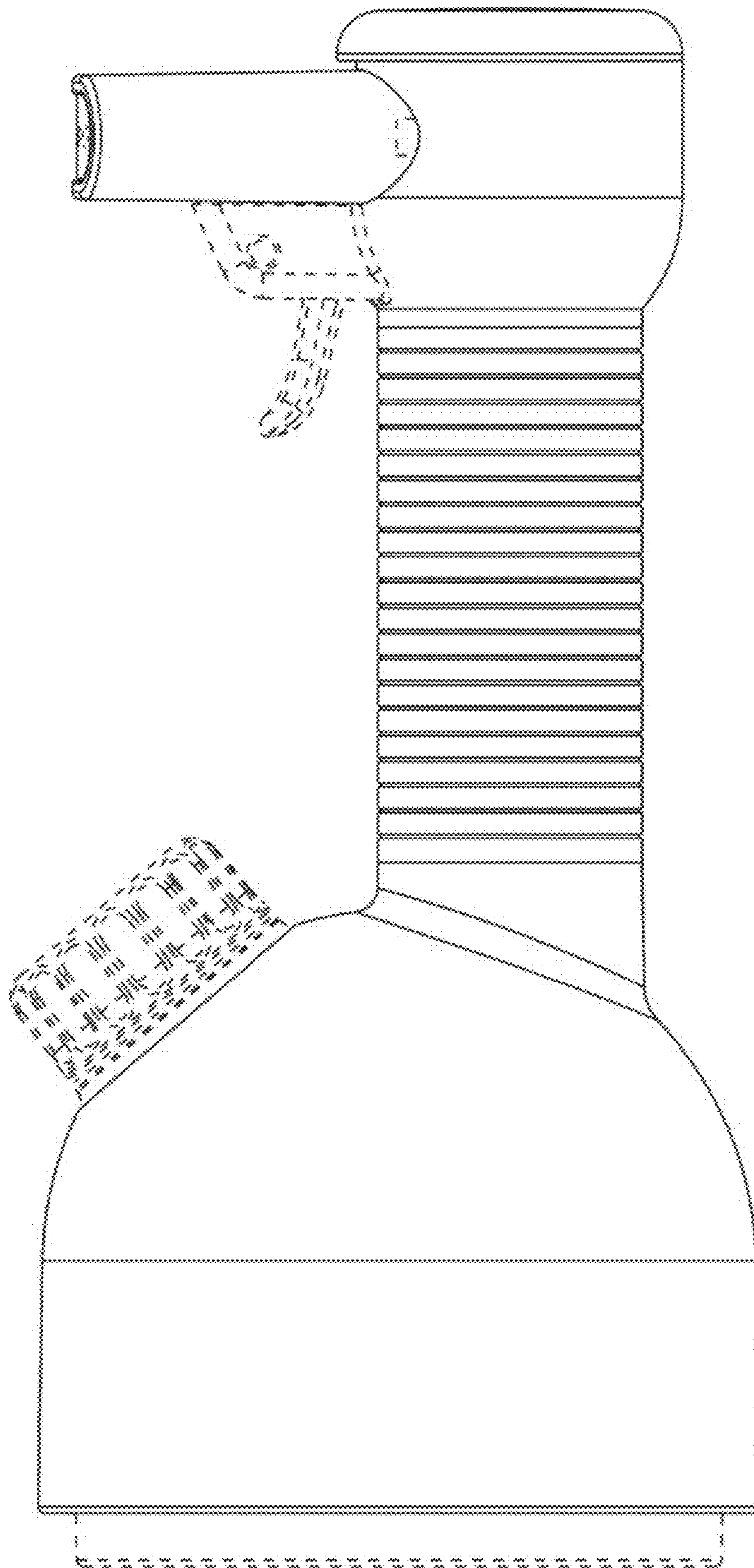
The broken lines in the reproductions depict portions of the handheld steamer for clothing, these portions forming no part of the claimed design.

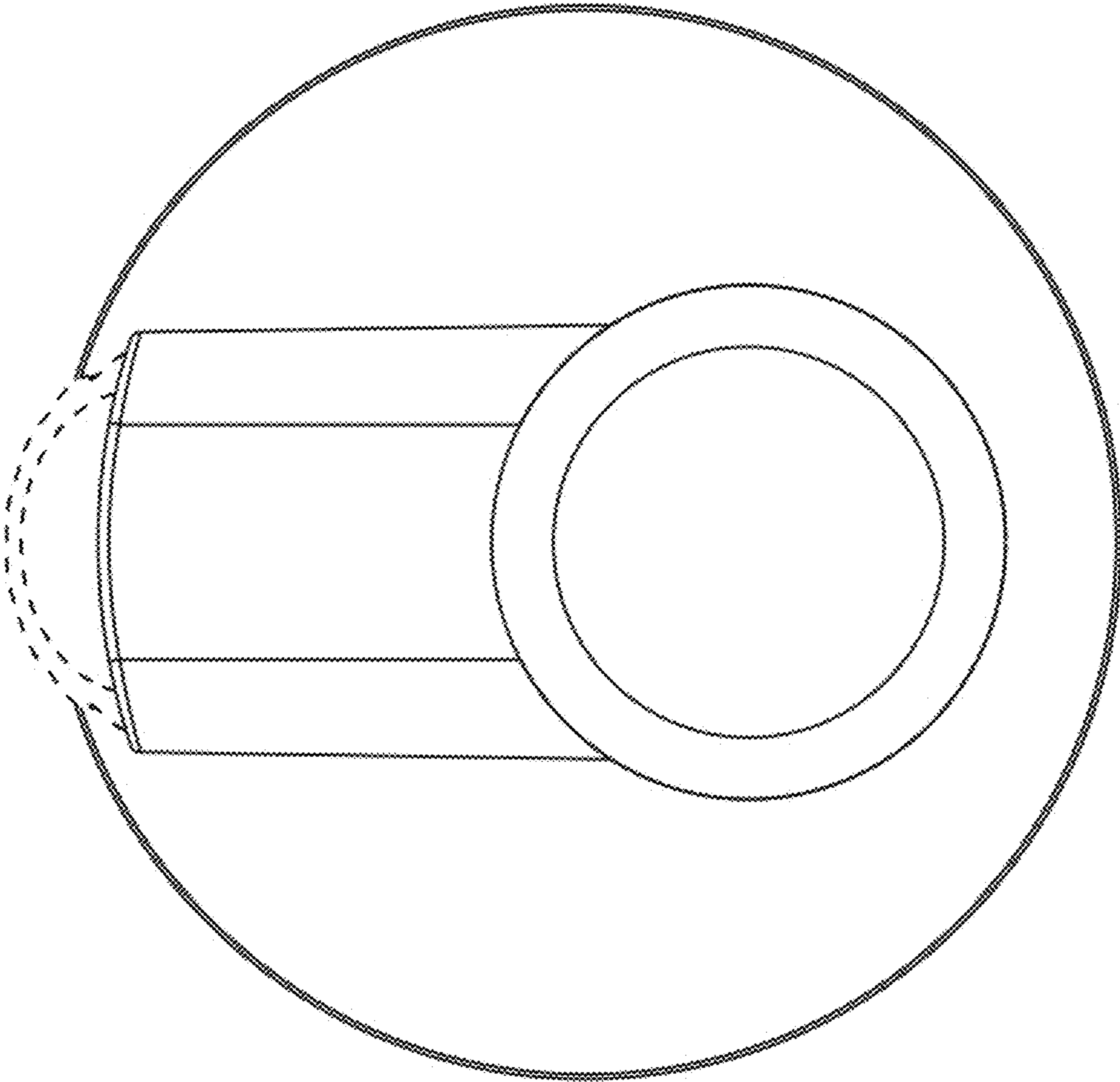
1 Claim, 8 Drawing Sheets



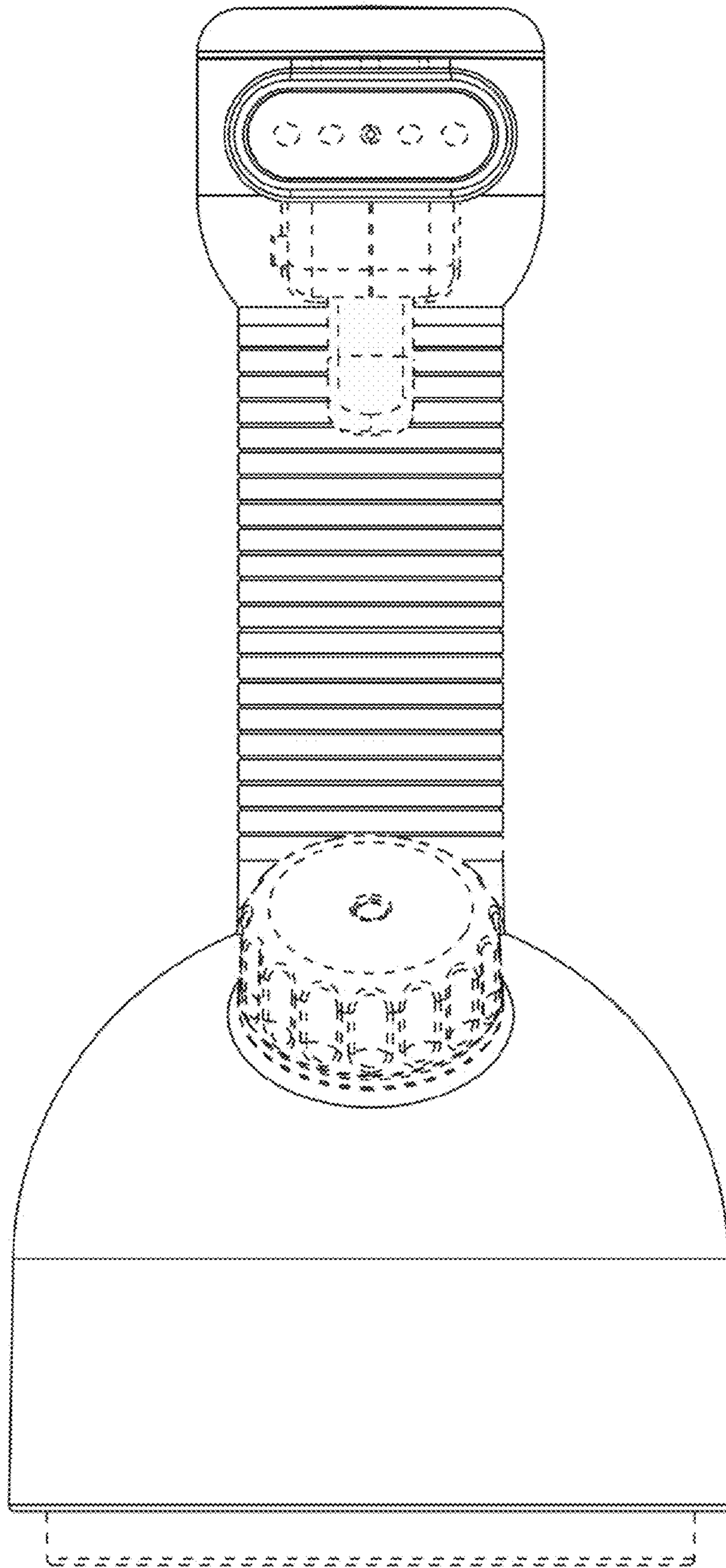


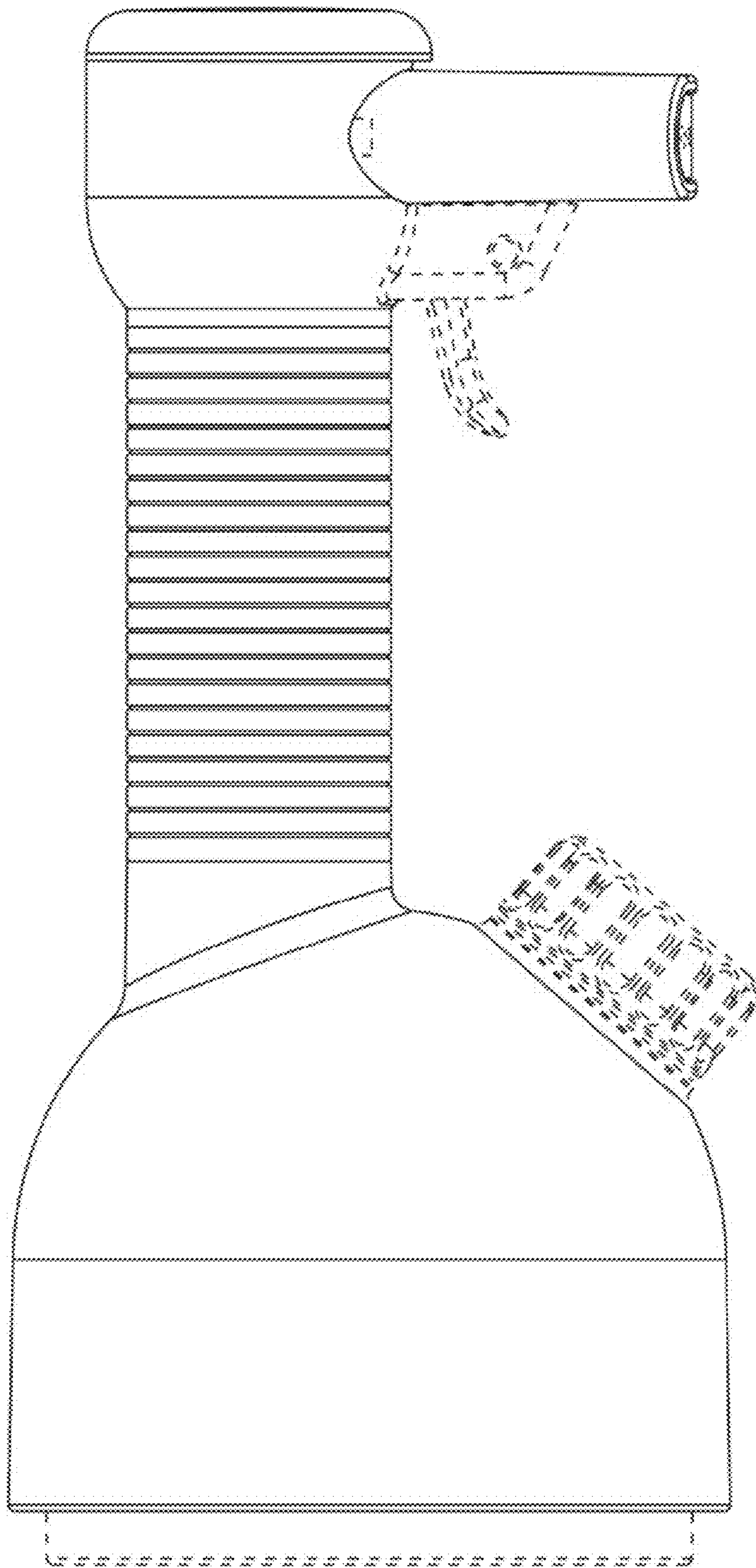
1.1

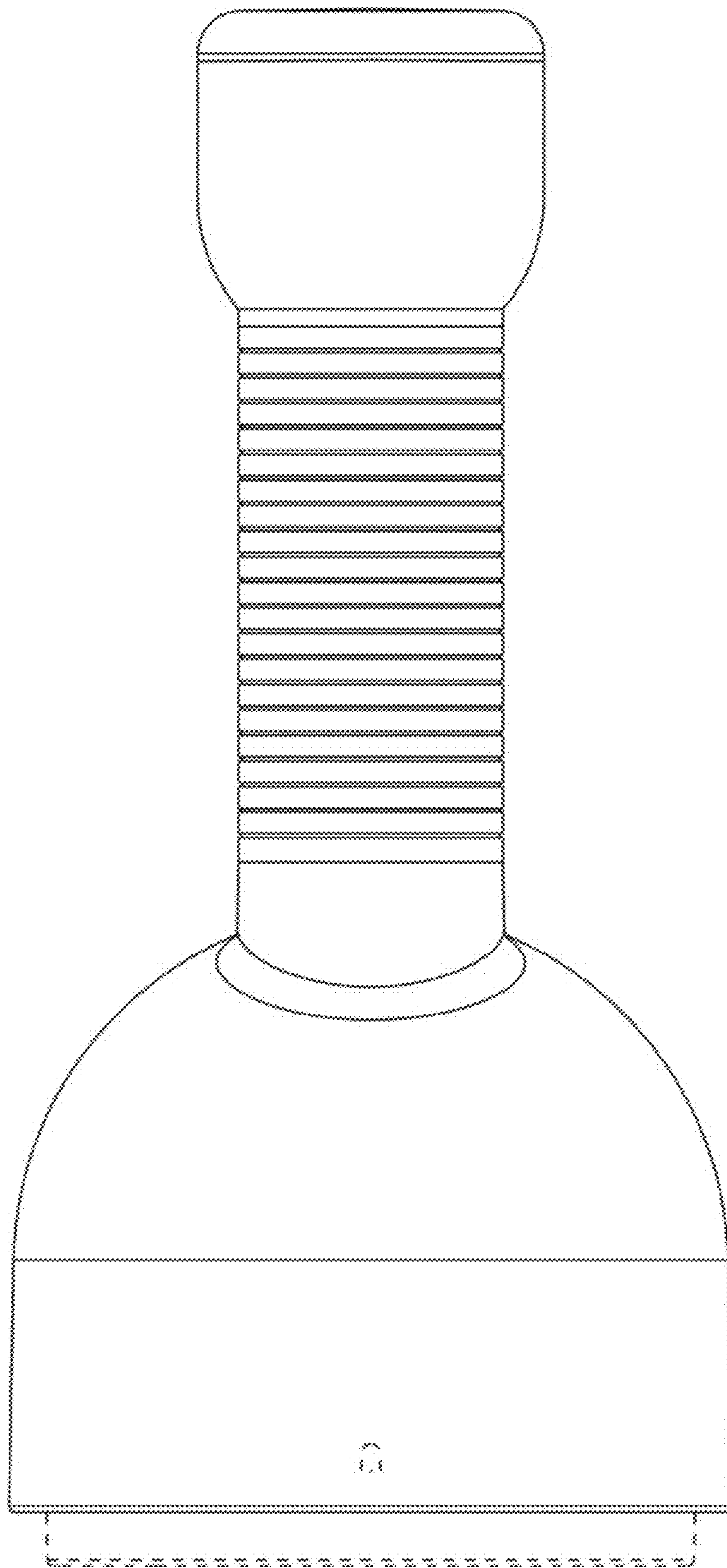




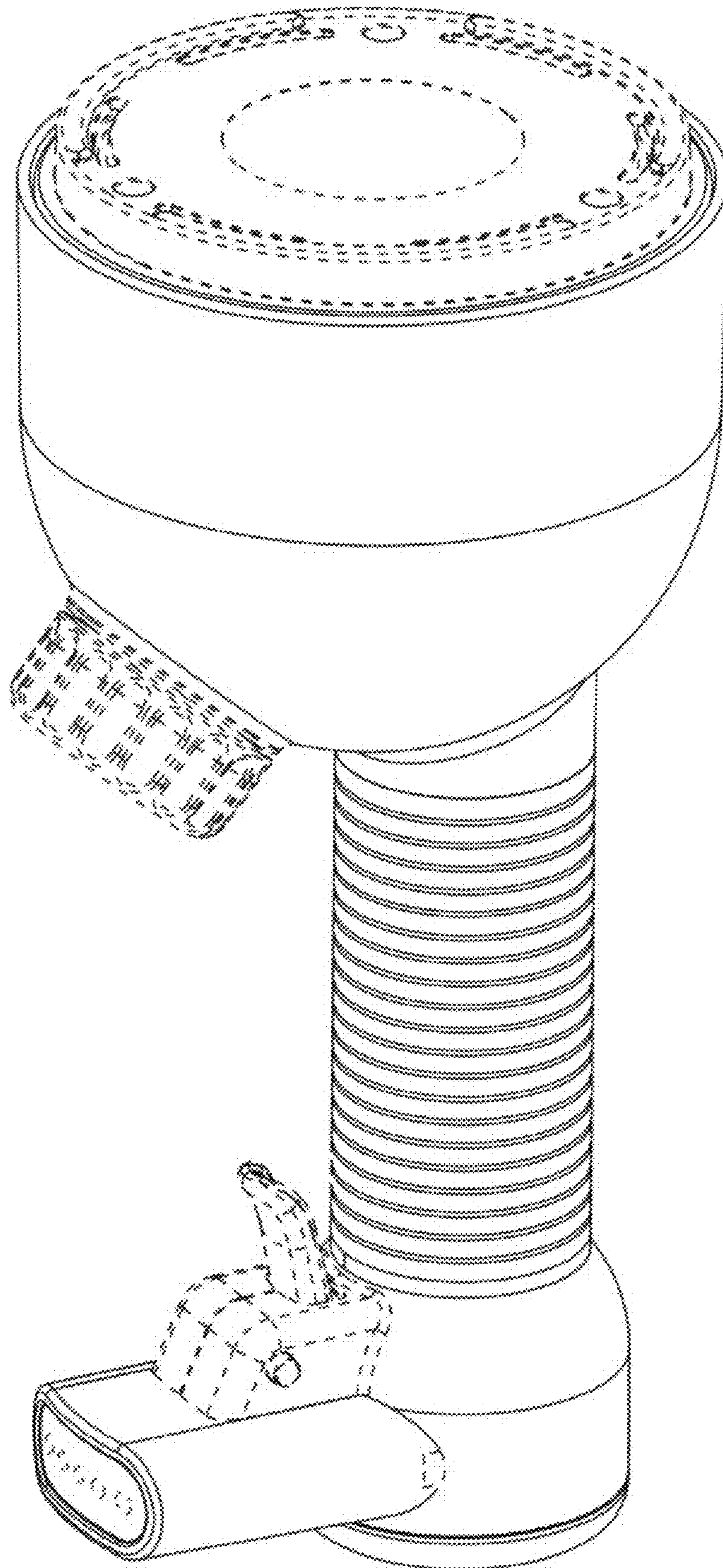
1.3

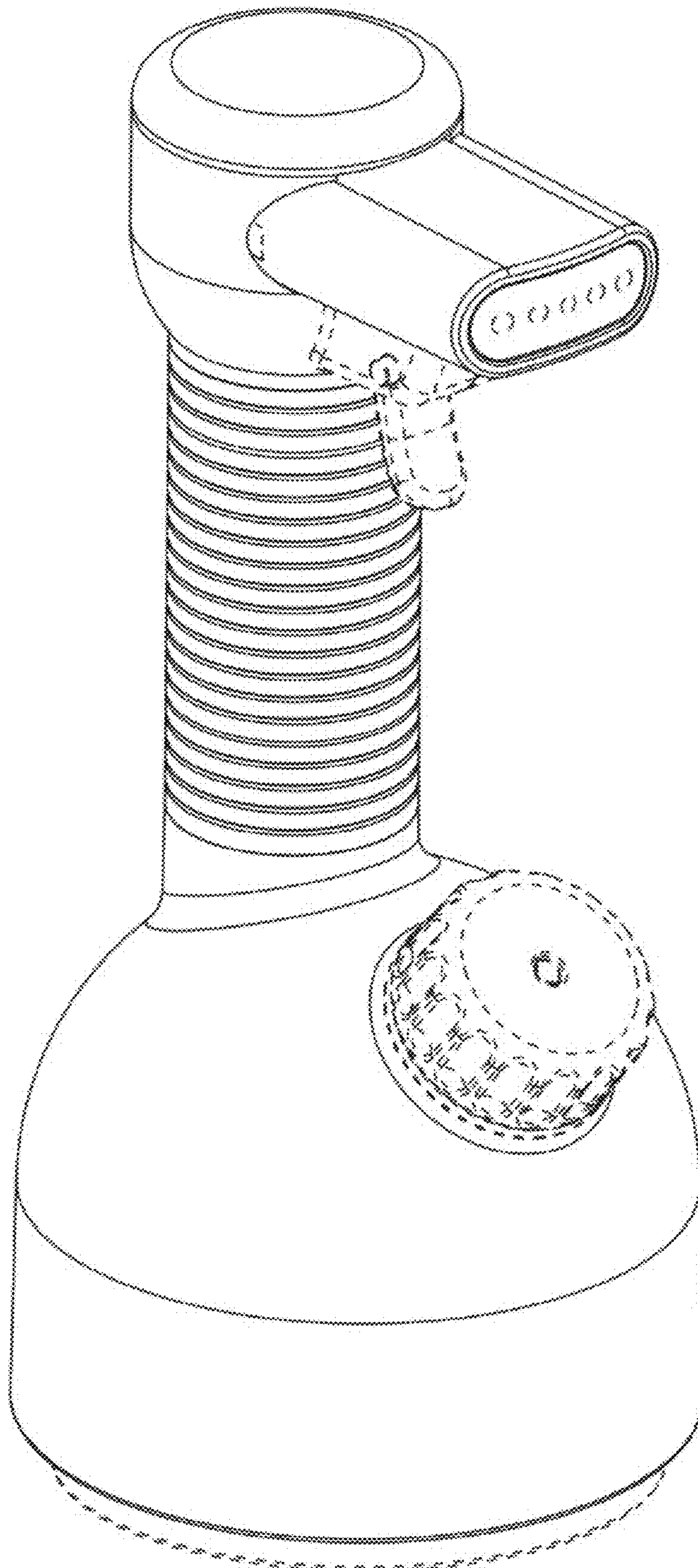






1.6





1.8