



US00D948140S

(12) **United States Design Patent**
Chen

(10) **Patent No.:** **US D948,140 S**

(45) **Date of Patent:** **** Apr. 5, 2022**

(54) **CORDLESS BLOWER**

(71) Applicant: **Ningbo Yongfei Te Electrical And Science Co., Ltd., Huangbiao (CN)**

(72) Inventor: **Fanbin Chen, Huangbiao (CN)**

(**) Term: **15 Years**

(21) Appl. No.: **29/758,592**

(22) Filed: **Nov. 17, 2020**

(51) **LOC (13) Cl.** **15-05**

(52) **U.S. Cl.**
USPC **D32/15; D15/12**

(58) **Field of Classification Search**
USPC D15/11, 12; D12/2, 231, 340-343;
D32/15, 16, 17, 18, 21, 25, 1, 5, 12;
D23/383, 370, 213; 15/300.1, 344, 345
CPC ... A47L 5/14; A47L 9/32; A01G 1/125; F04B
17/00; F04B 35/04
See application file for complete search history.

(56) **References Cited**

U.S. PATENT DOCUMENTS

D711,056 S *	8/2014	Crawley	D32/15
D711,057 S *	8/2014	Crawley	D32/15
D719,307 S *	12/2014	Carl	D32/15
D741,917 S *	10/2015	Tinius	D15/15
D748,876 S *	2/2016	Carl	D32/15
D748,877 S *	2/2016	Tirone	D32/15
D809,227 S *	1/2018	Tinius	D32/15
D834,271 S *	11/2018	Naslund	D32/15
D836,861 S *	12/2018	Tse	D32/15
D853,061 S *	7/2019	Dretzka	D32/15
D853,669 S *	7/2019	Qiu	D32/15
D854,264 S *	7/2019	Tucker	D32/15

D854,265 S *	7/2019	Wachter	D32/15
D868,398 S *	11/2019	Tinius	D32/15
D868,399 S *	11/2019	Tinius	D32/15
D877,779 S *	3/2020	Dretzka	D15/12
D882,191 S *	4/2020	Baxter	D32/15
D926,397 S *	7/2021	Dretzka	D32/15

* cited by examiner

Primary Examiner — Mark A Goodwin

(74) *Attorney, Agent, or Firm* — Rumit Ranjit Kanakia

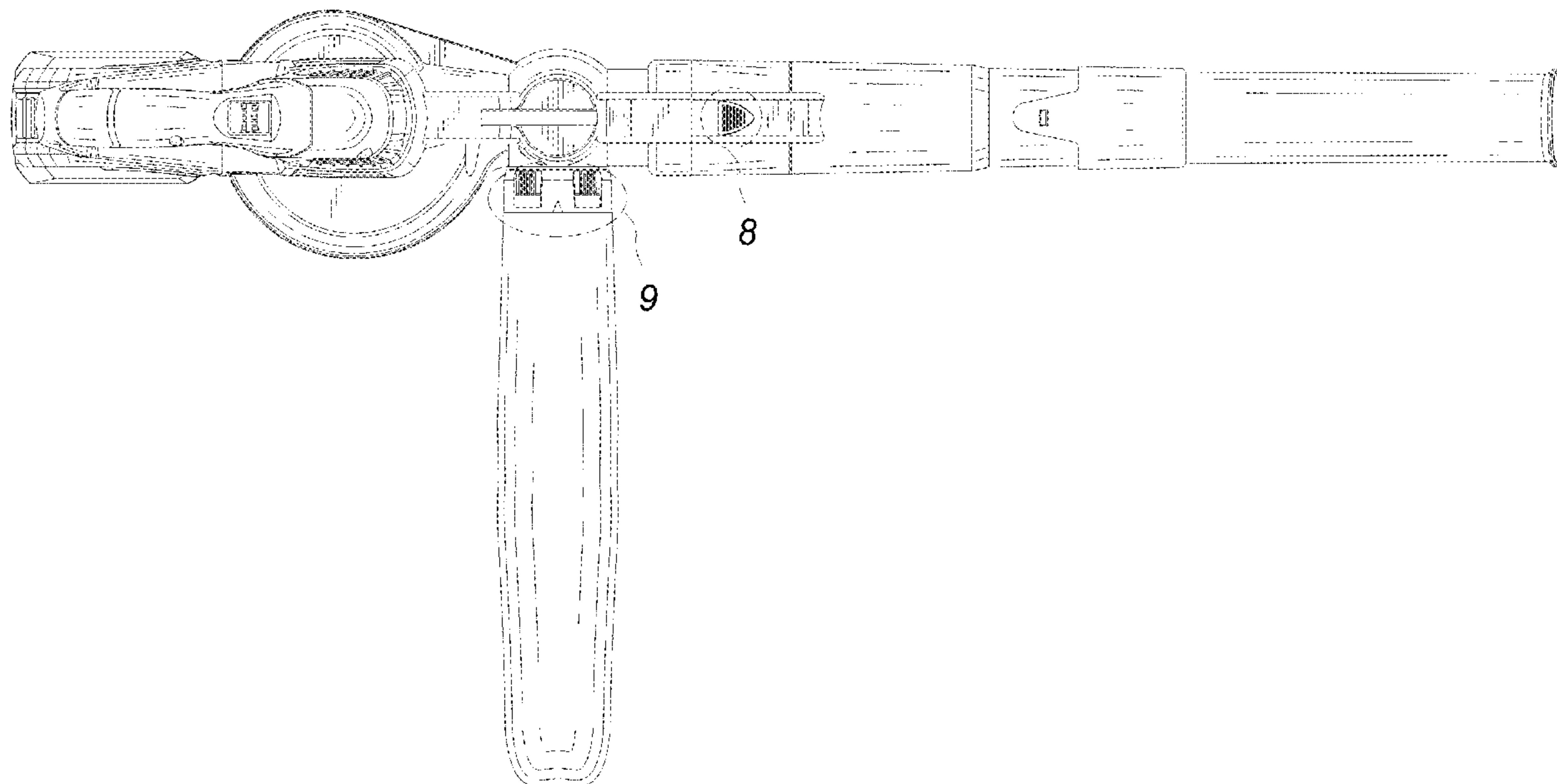
(57) **CLAIM**

The ornamental design for a cordless blower, as shown and described.

DESCRIPTION

FIG. 1 is a front view of the cordless blower.
 FIG. 2 is a rear view of the cordless blower.
 FIG. 3 is a right-hand-side view of the cordless blower.
 FIG. 4 is a left-hand-side view of the cordless blower.
 FIG. 5 is a top view of the cordless blower.
 FIG. 6 is a bottom view of the cordless blower.
 FIG. 7 is a top perspective view of the cordless blower.
 FIG. 8 is an enlarged view of an on/off button of the cordless blower as shown in area 8 of FIG. 1.
 FIG. 9 is an enlarged view of ribbed plate of the cordless blower as shown in area 9 of FIG. 1.
 FIG. 10 is an enlarged view of ribbed plate of the cordless blower as shown in area 10 of FIG. 2.
 FIG. 11 is an enlarged view of the cordless blower as shown in area 11 of FIG. 3; and,
 FIG. 12 is an enlarged view of the cordless blower as shown in area 12 of FIG. 4.
 The dash-dash broken lines illustrate portions of the cordless blower which form no part of the claimed design.

1 Claim, 9 Drawing Sheets



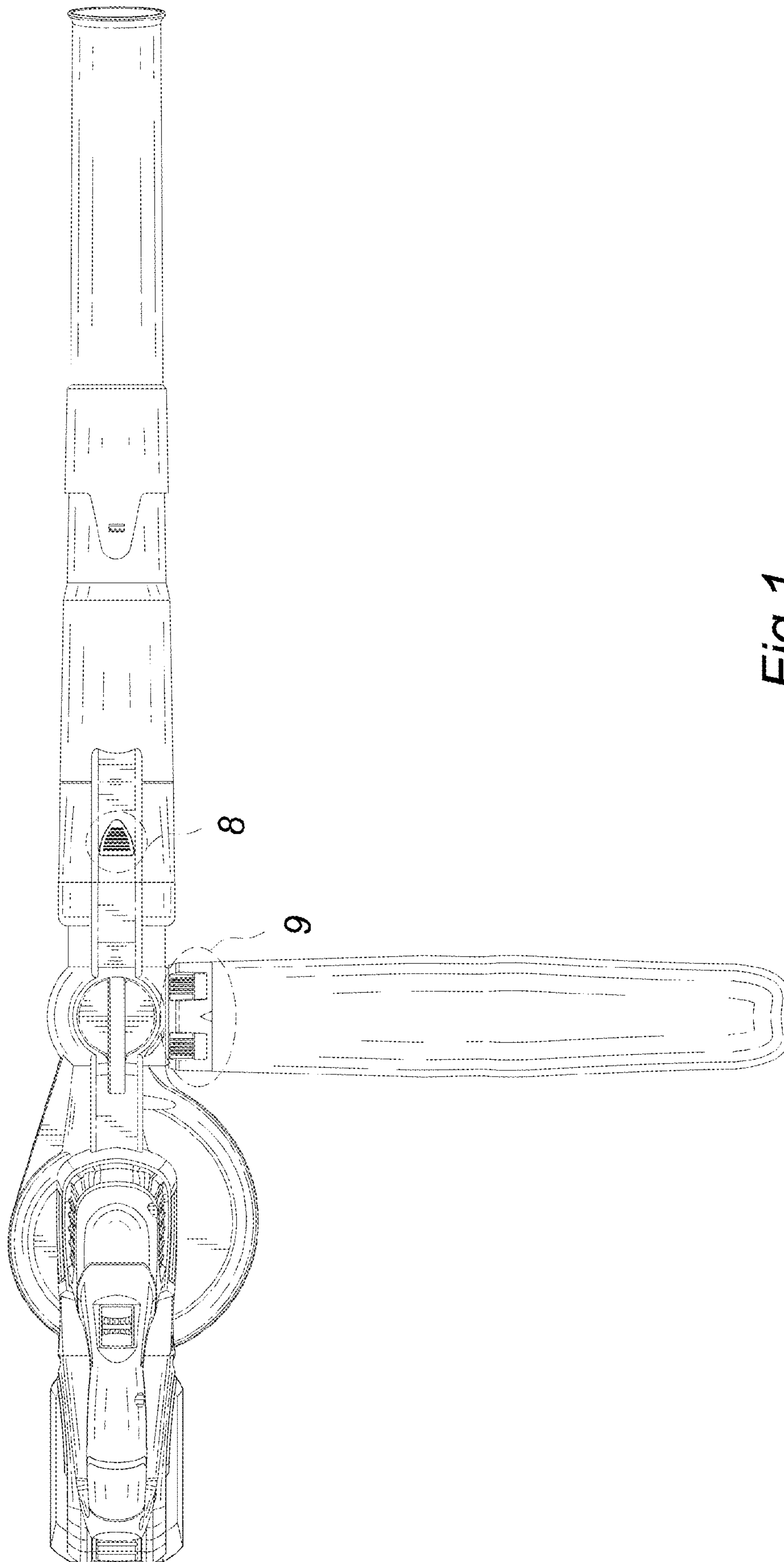


Fig. 1

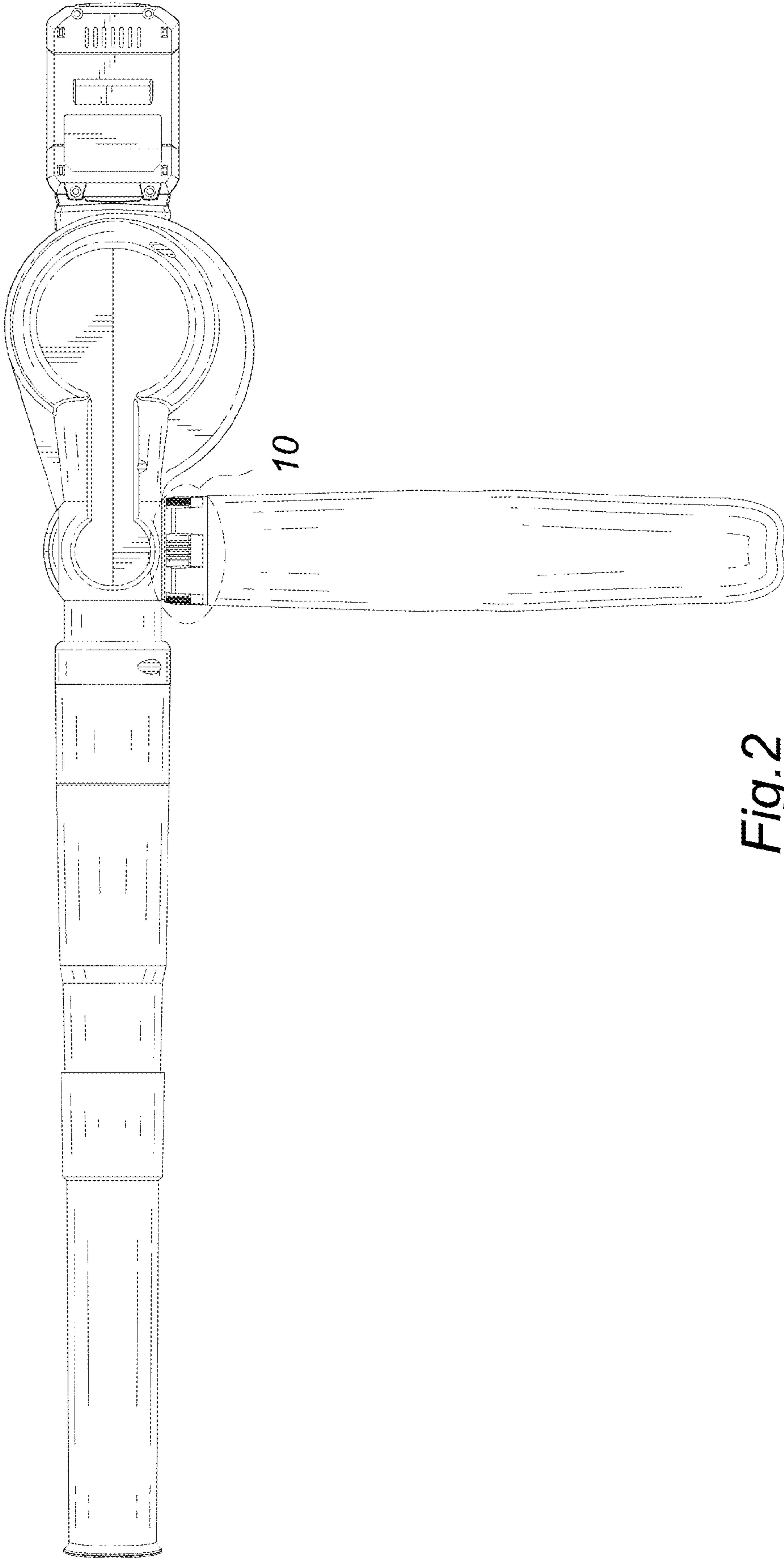


Fig. 2

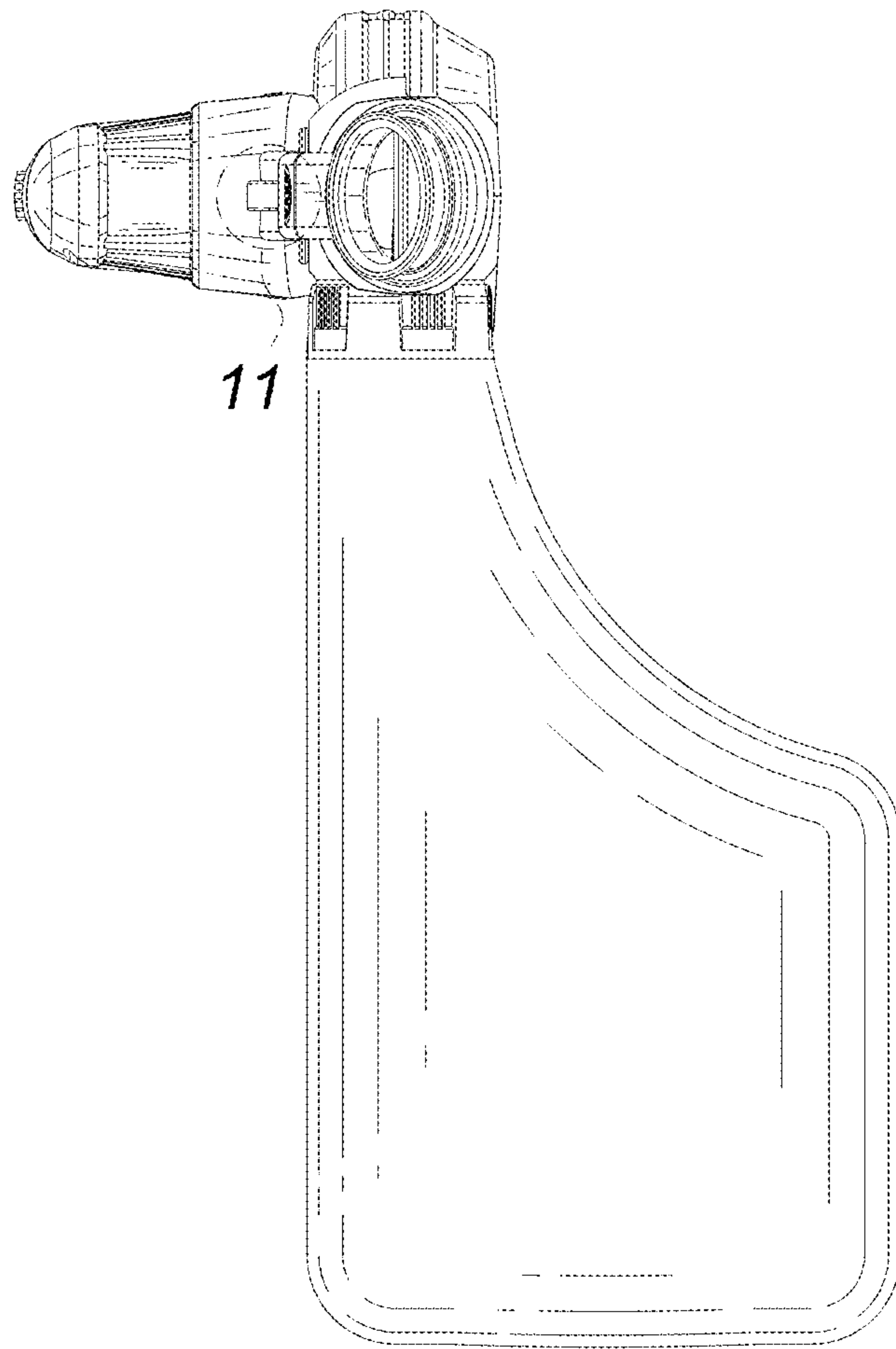


Fig. 3

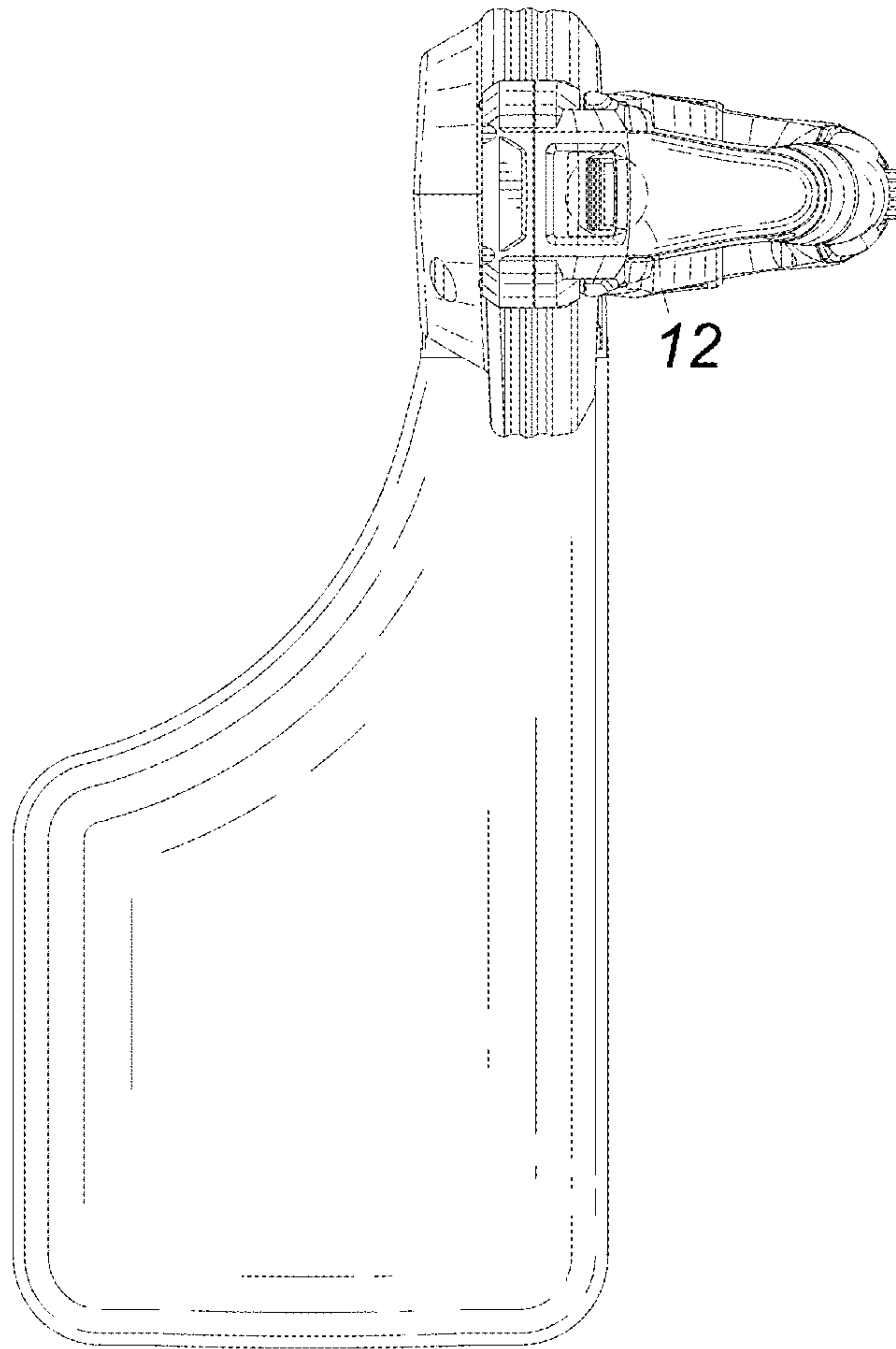


Fig.4

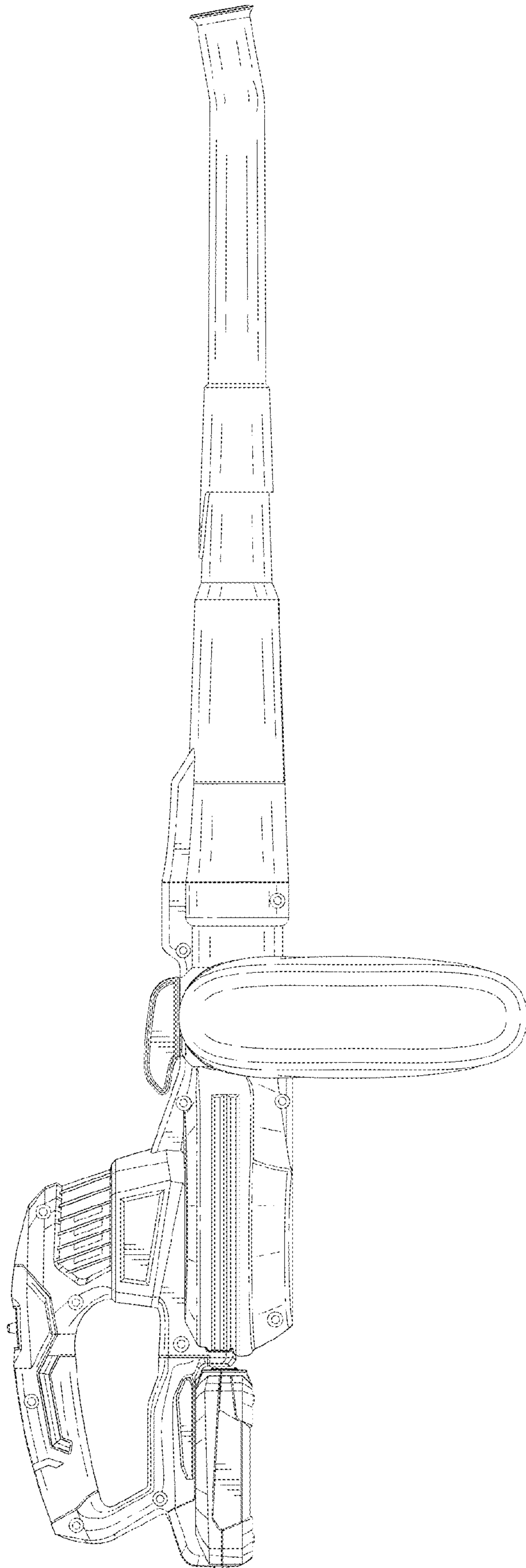


Fig. 5

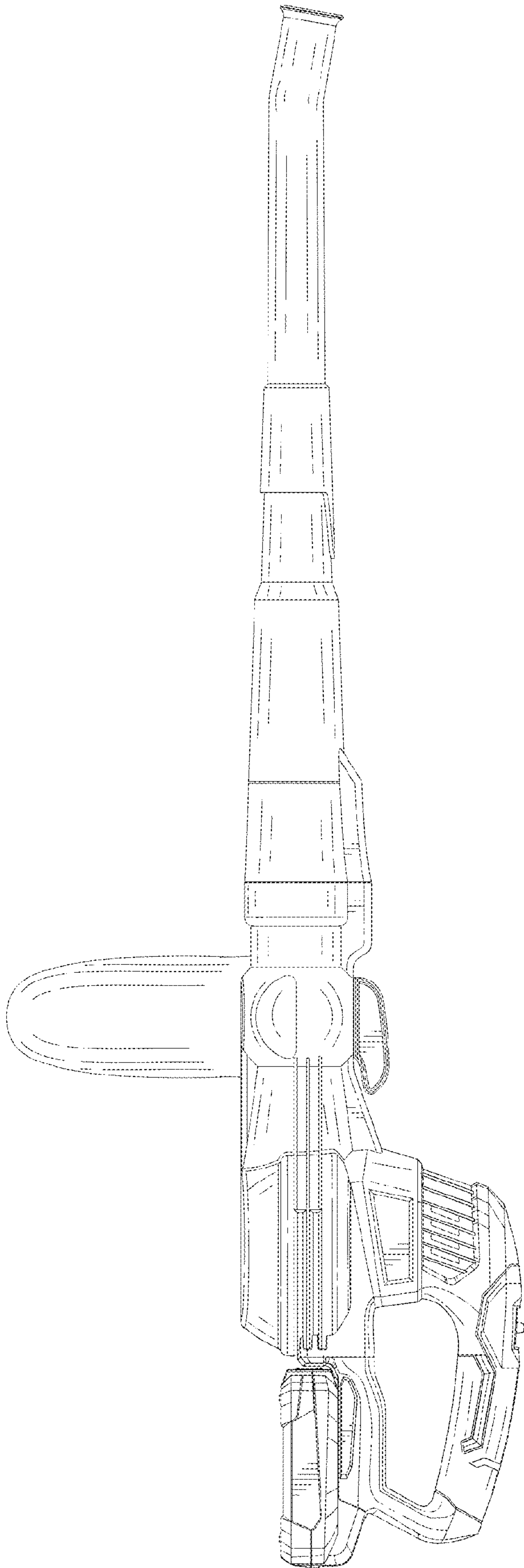


Fig. 6

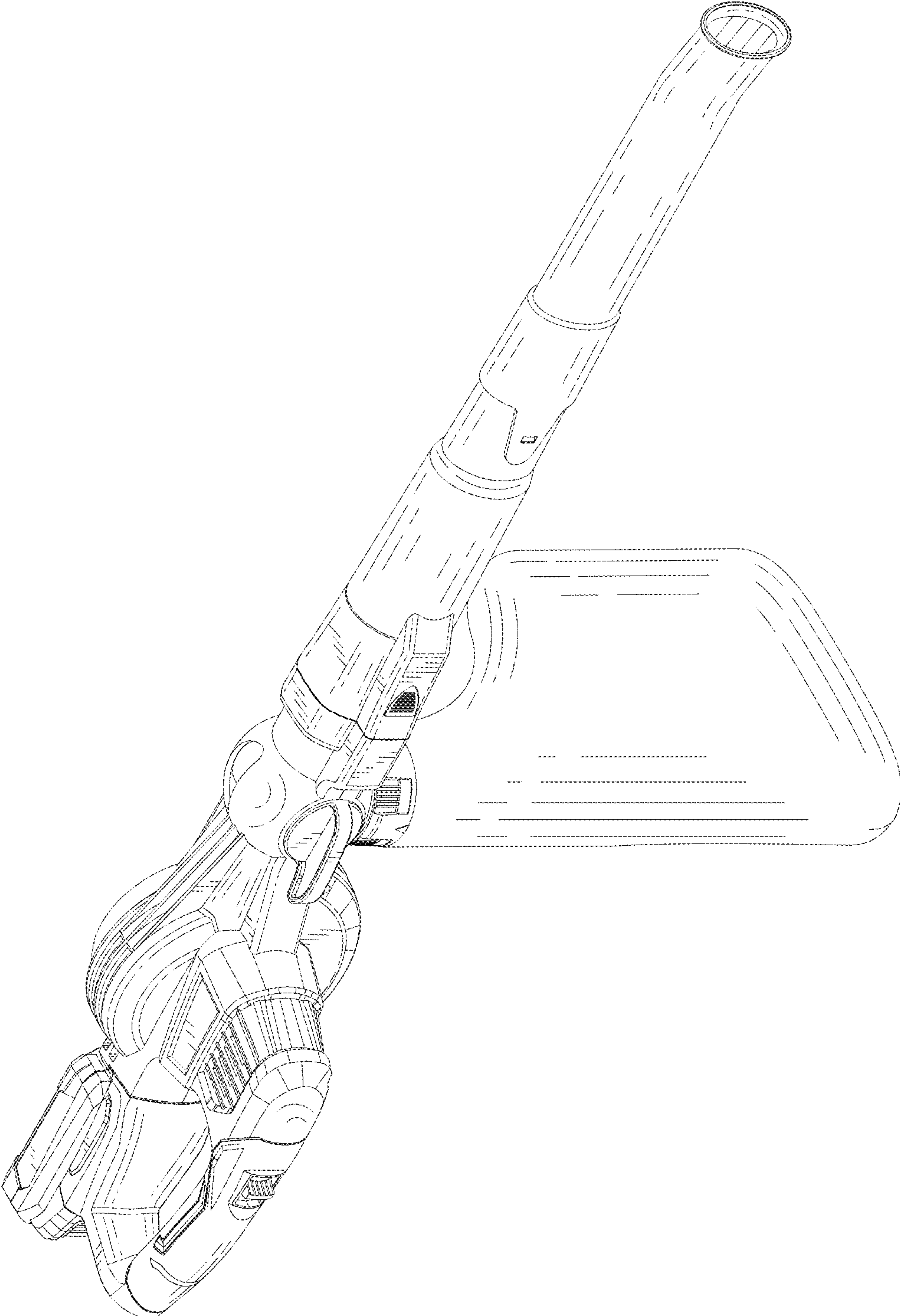


Fig. 7

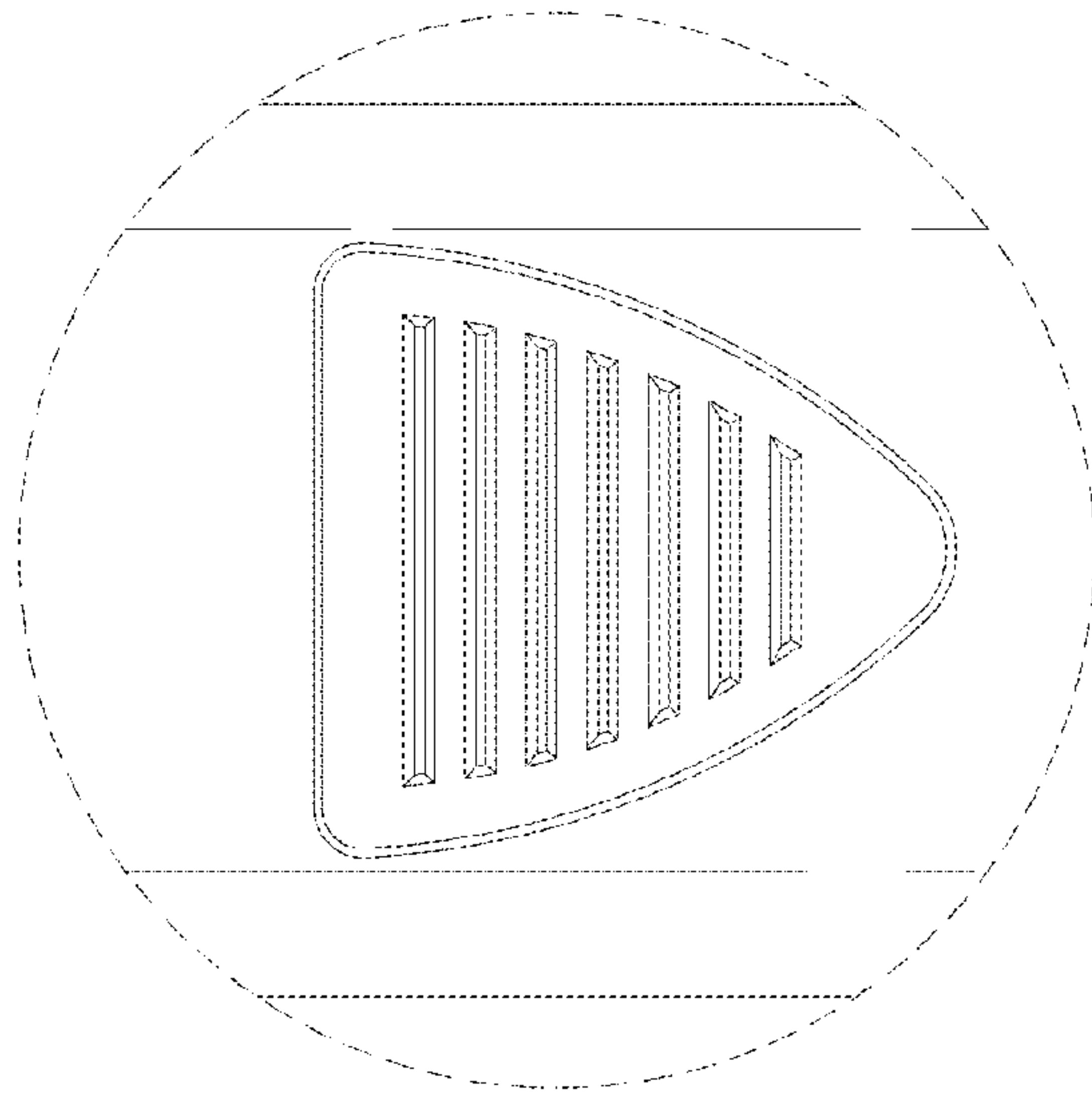


Fig. 8

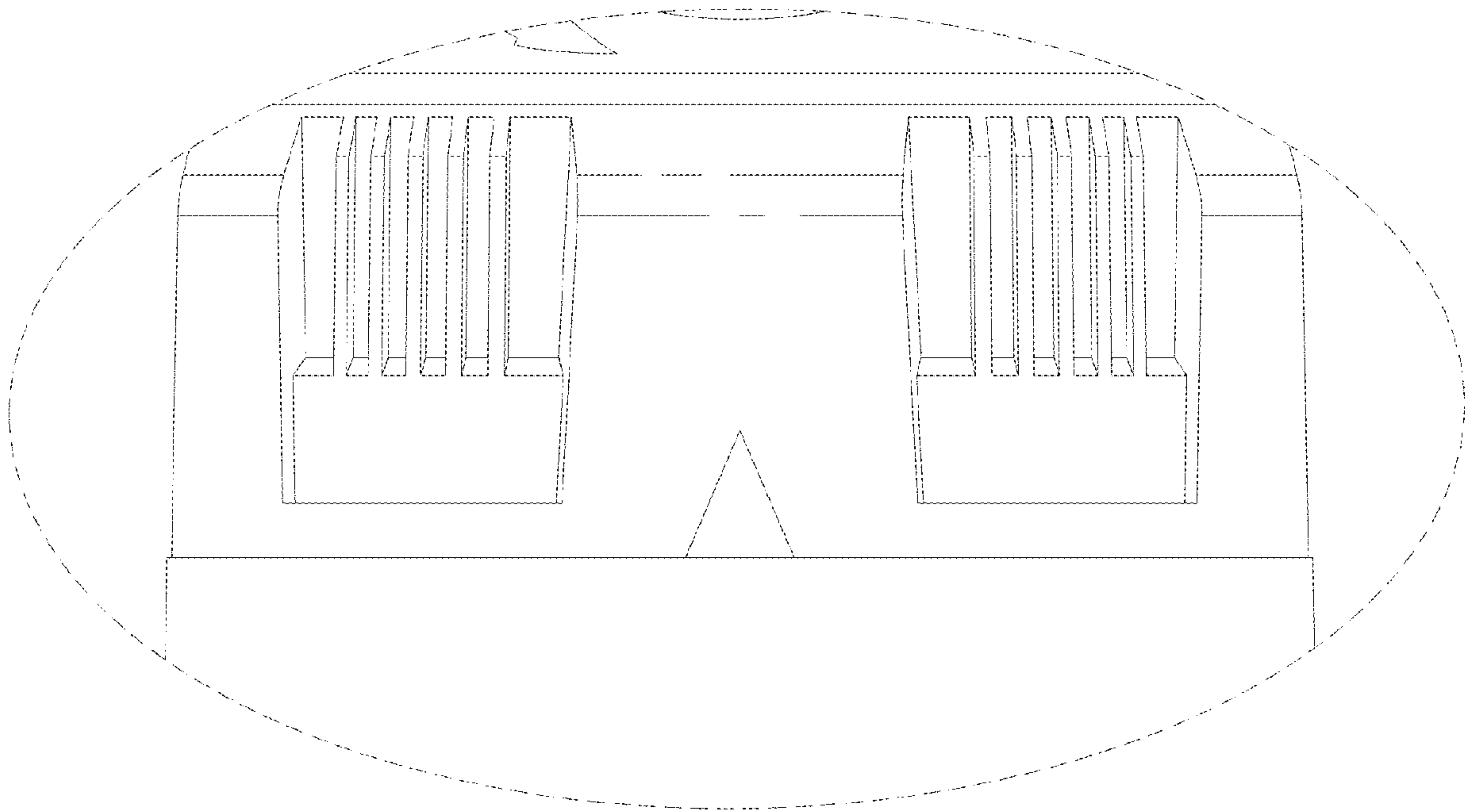


Fig. 9

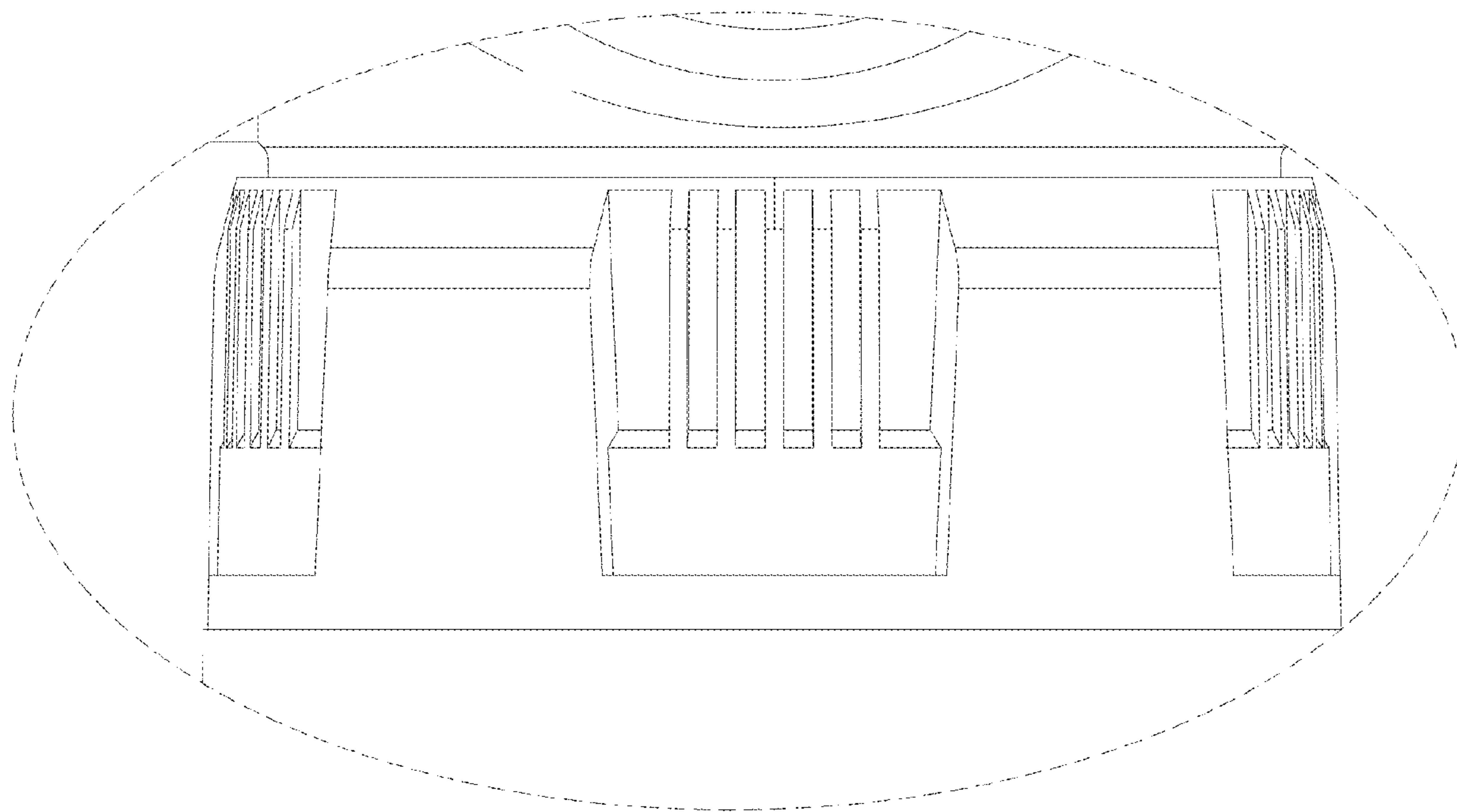


Fig. 10

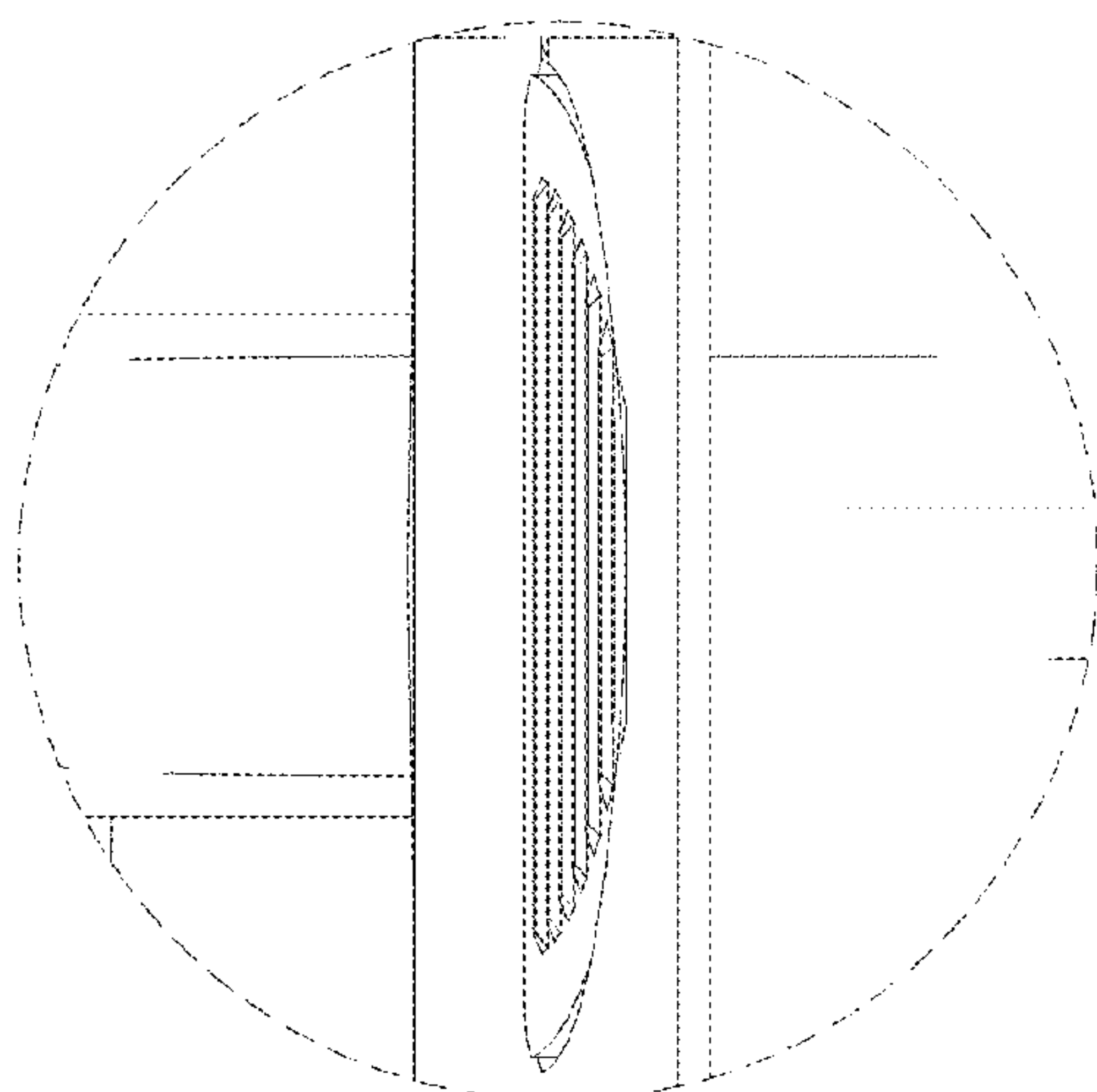


Fig. 11

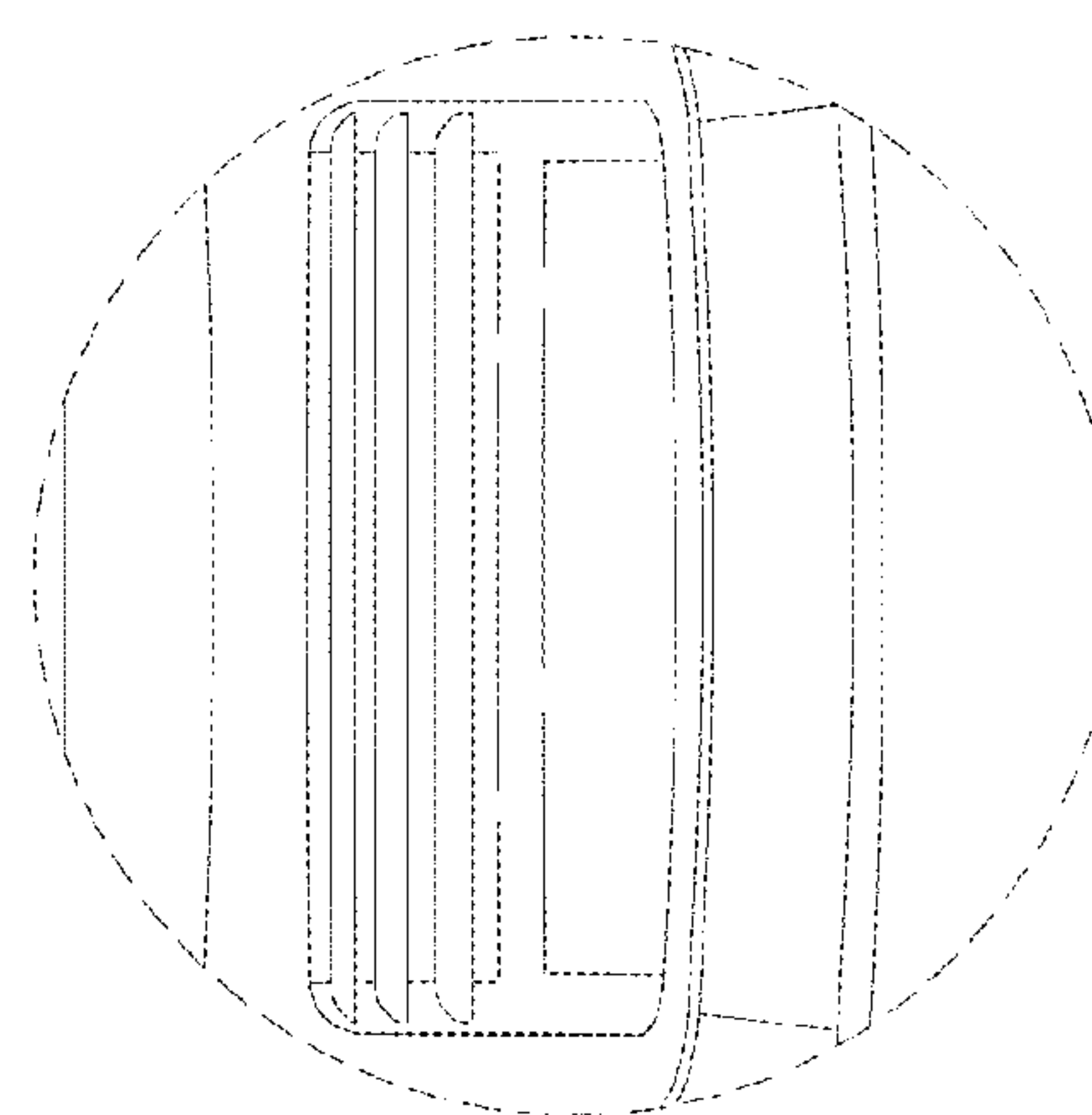


Fig. 12