



US00D948136S

(12) **United States Design Patent** (10) **Patent No.:** **US D948,136 S**
Xu (45) **Date of Patent:** **** Apr. 5, 2022**

(54) **PET WATER FOUNTAIN**
(71) Applicant: **Qiandong Xu, Yuyao (CN)**
(72) Inventor: **Qiandong Xu, Yuyao (CN)**
(73) Assignee: **Hangzhou Lingke Technology Co., Ltd., Hangzhou (CN)**
(**) Term: **15 Years**
(21) Appl. No.: **29/759,317**
(22) Filed: **Nov. 21, 2020**
(51) **LOC (13) Cl.** **30-03**
(52) **U.S. Cl.**
USPC **D30/132**
(58) **Field of Classification Search**
USPC D23/202, 207, 209, 213, 222, 225,
D23/255-256, 272-273; D30/121-133
CPC .. A01K 5/0114; A01K 5/0121; A01K 5/0135;
A01K 7/005; A01K 7/00; A01K 39/02;
F04B 23/00; F04B 23/02; Y10T
137/86035; Y10T 137/8376
See application file for complete search history.

D928,423 S * 8/2021 Tao D30/132
D929,670 S * 8/2021 Gong D30/129
2018/0242553 A1* 8/2018 Nemeth B65D 43/0204
2020/0178499 A1* 6/2020 Peacock A01K 5/0114
2021/0000067 A1* 1/2021 Peacock A01K 5/0135

OTHER PUBLICATIONS

Furrybaby Fountain May 10, 2020 found on Sep. 20, 2021 at <https://www.amazon.com/furrybaby-Drinking-Automatic-Dispenser-Intelligent/dp/B087JR9YMX/> (Year: 2020).*

* cited by examiner

Primary Examiner — Karen S Acker
Assistant Examiner — Jonathan E Fiencke

(57) **CLAIM**

The ornamental design for a pet water fountain, as shown and described.

DESCRIPTION

FIG. 1 is a perspective view of a pet water fountain showing my new design;
FIG. 2 is a front elevational view thereof;
FIG. 3 is a rear elevational view thereof;
FIG. 4 is a left side elevational view thereof;
FIG. 5 is a right side elevational view thereof;
FIG. 6 is a top plan view thereof; and,
FIG. 7 is a bottom plan view thereof.

The broken lines throughout the drawing figures depict portions of the pet water fountain that form no part of the claimed design.

The oblique shading lines in the drawings are included to denote the reflective quality of surface planes on the pet water fountain.

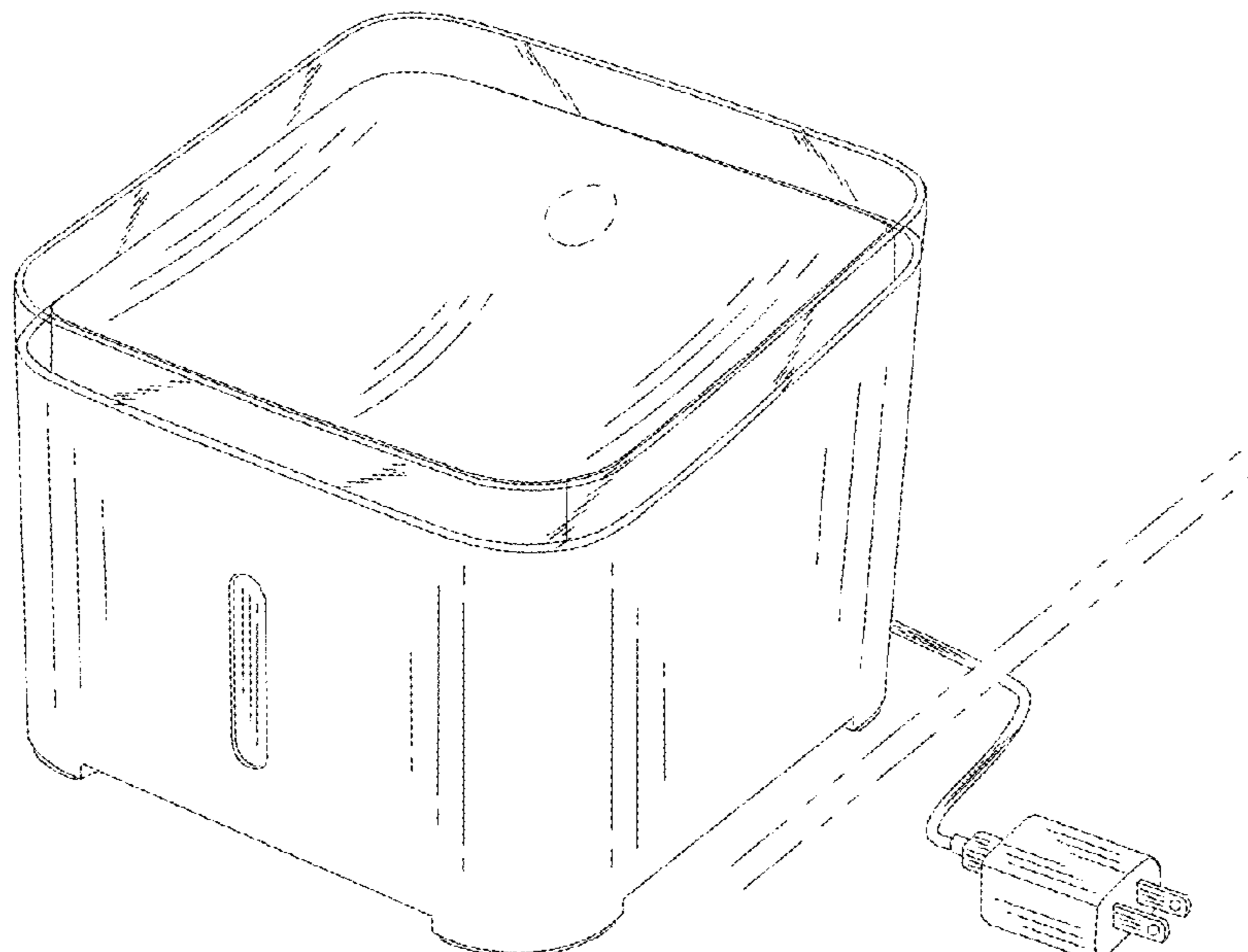
The pet water fountain includes symbolic breaks along the length of the power cord in FIGS. 1-3 and 6-7. The area between the break lines forms no part of the claimed design.

1 Claim, 7 Drawing Sheets

(56) **References Cited**

U.S. PATENT DOCUMENTS

D312,895 S * 12/1990 Goetz D30/129
D650,239 S * 12/2011 Laib D7/589
8,272,350 B1 * 9/2012 England A01K 5/025
119/52.1
D836,850 S * 12/2018 Li D30/122
D856,603 S * 8/2019 Hong A01K 5/0114
D30/122
D889,049 S * 6/2020 Chen B65D 43/0204
D30/122
D910,933 S * 2/2021 Tang D30/132
D920,592 S * 5/2021 Tang A01K 5/025
D30/122



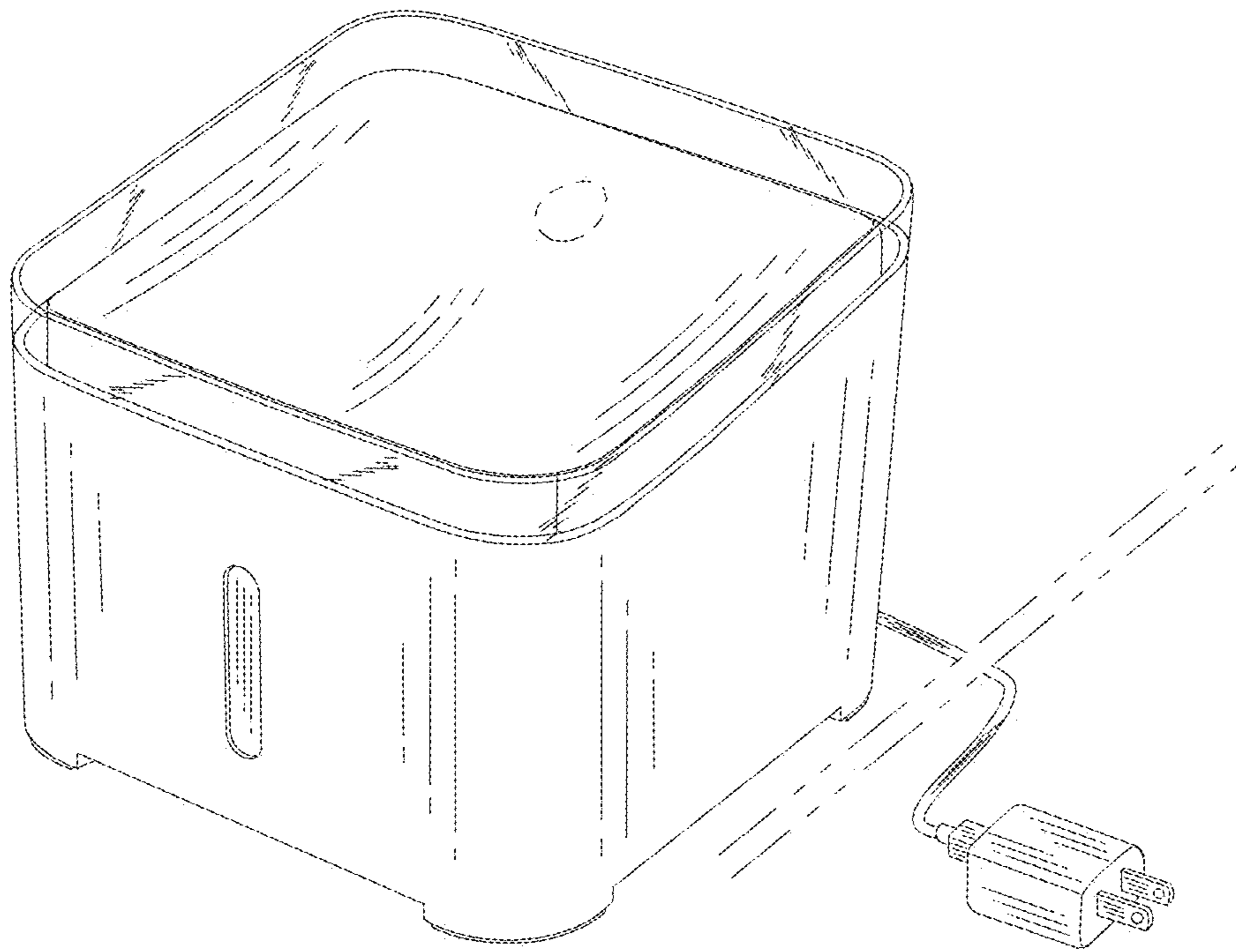


FIG.1

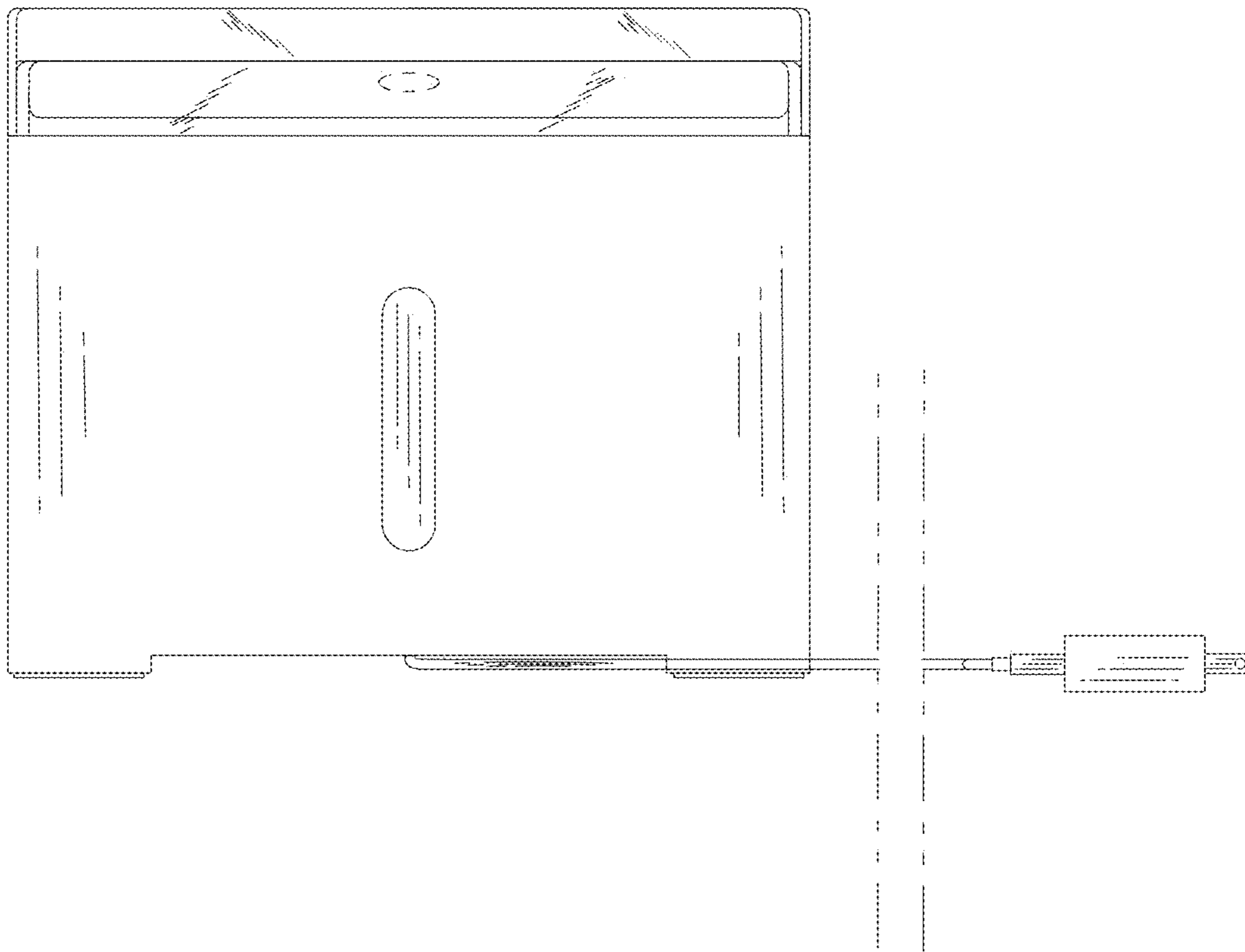


FIG.2

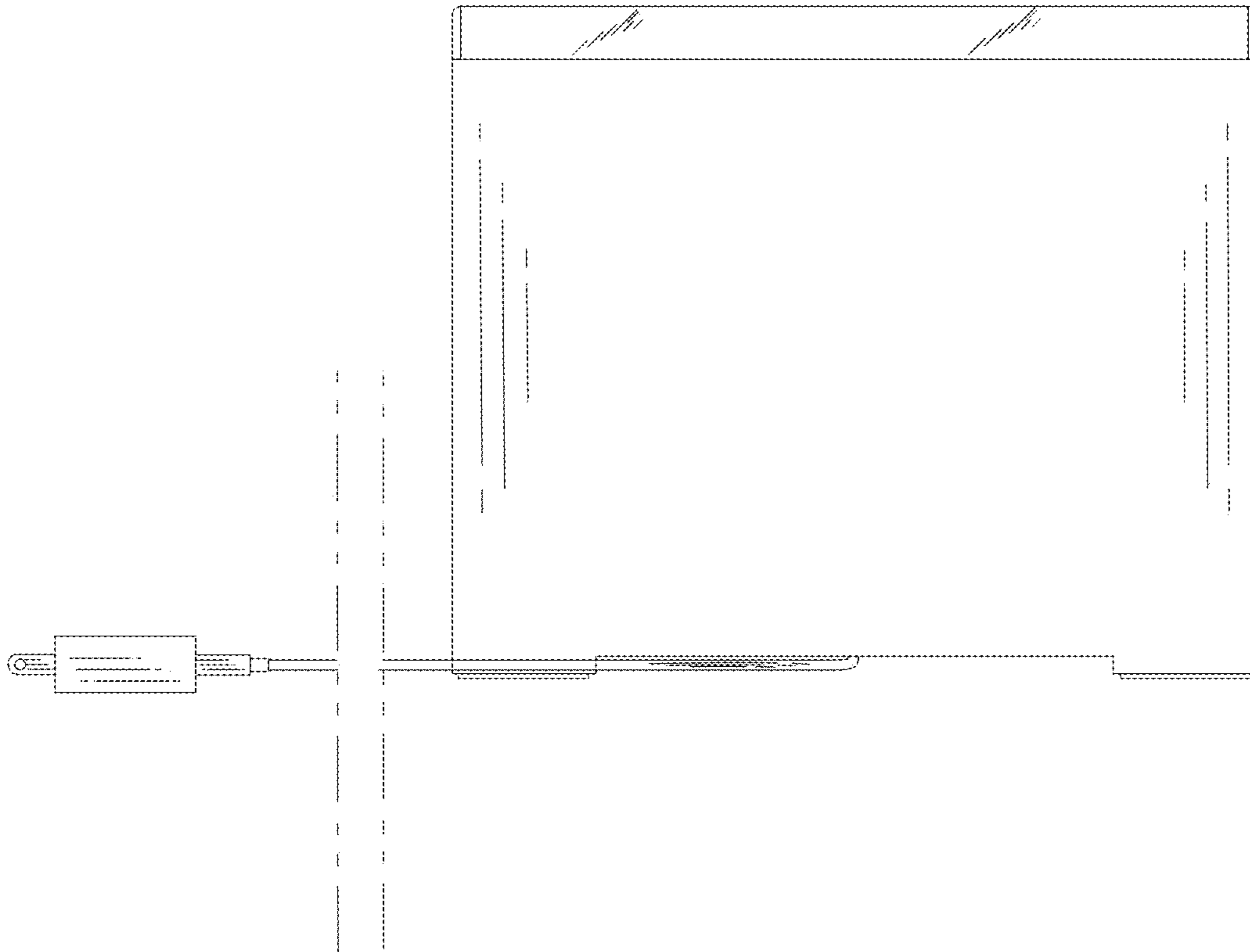


FIG.3

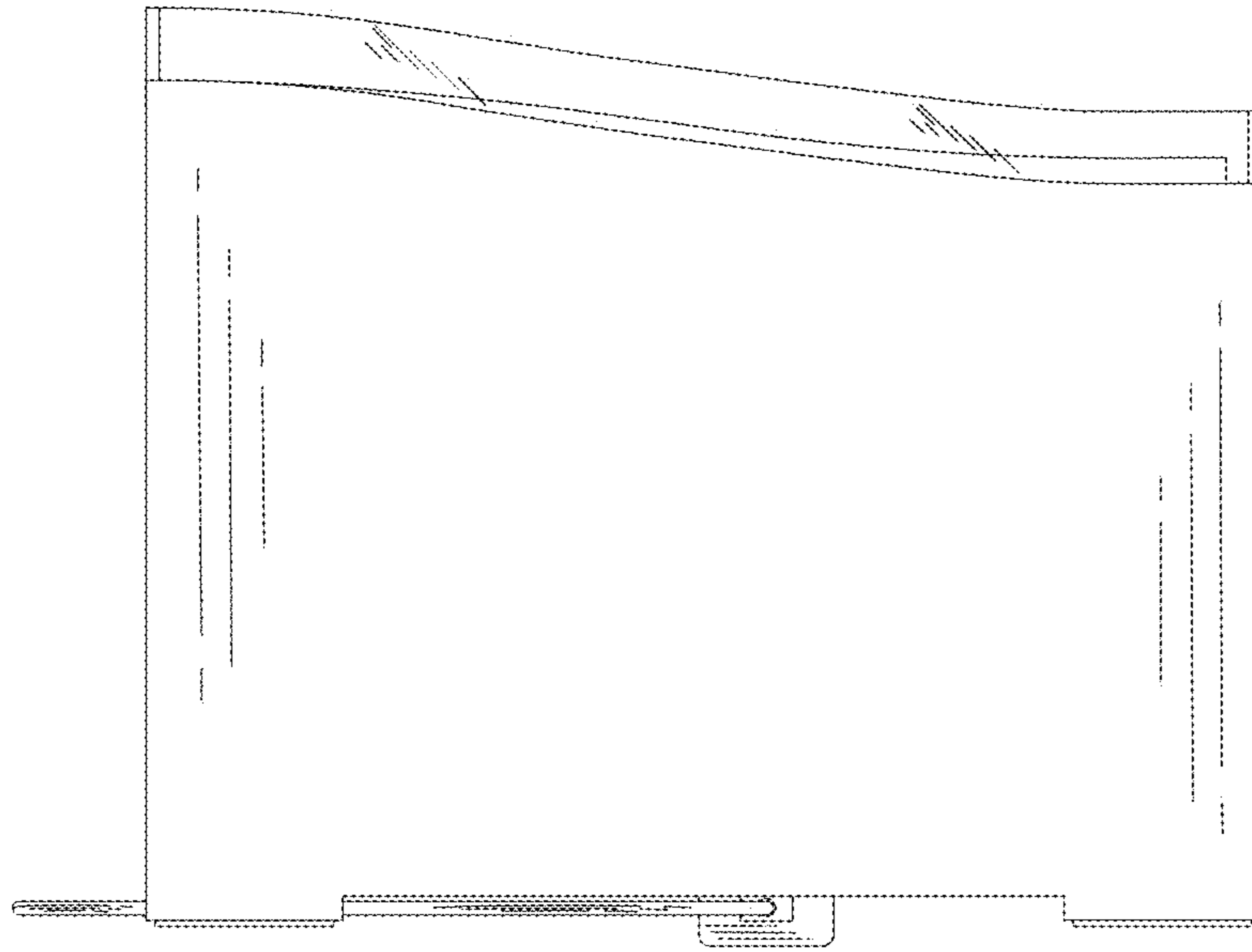


FIG.4

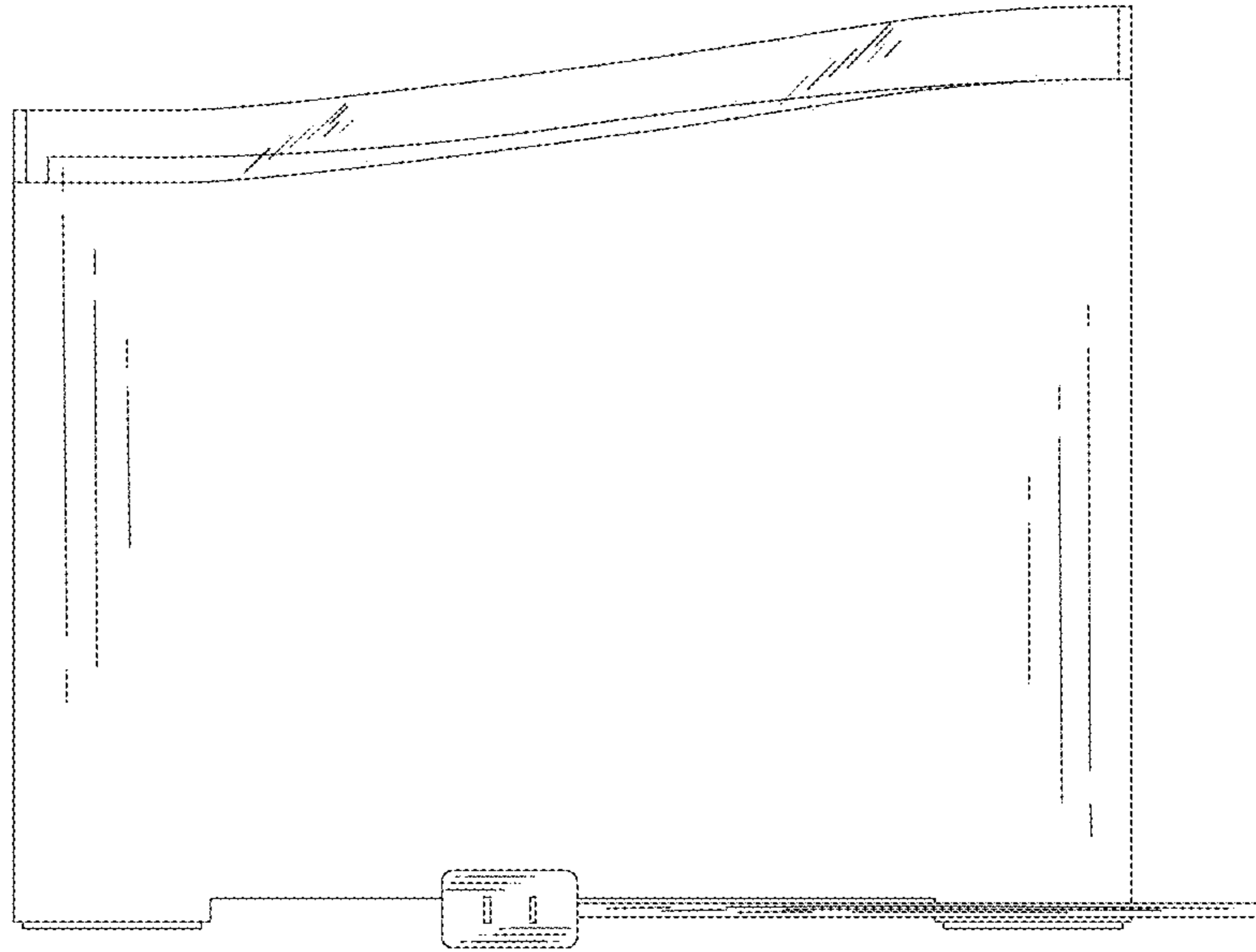


FIG.5

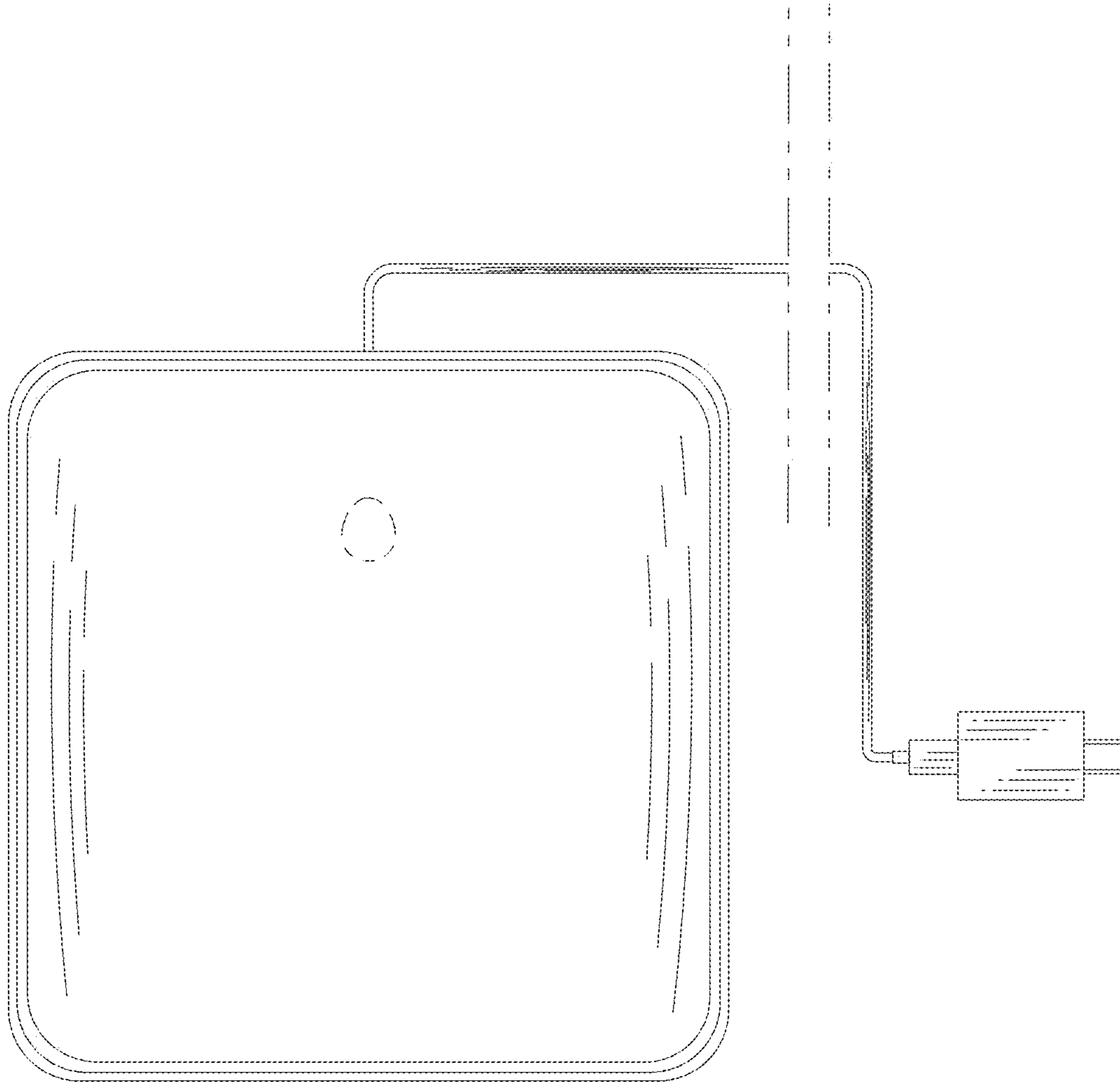


FIG.6

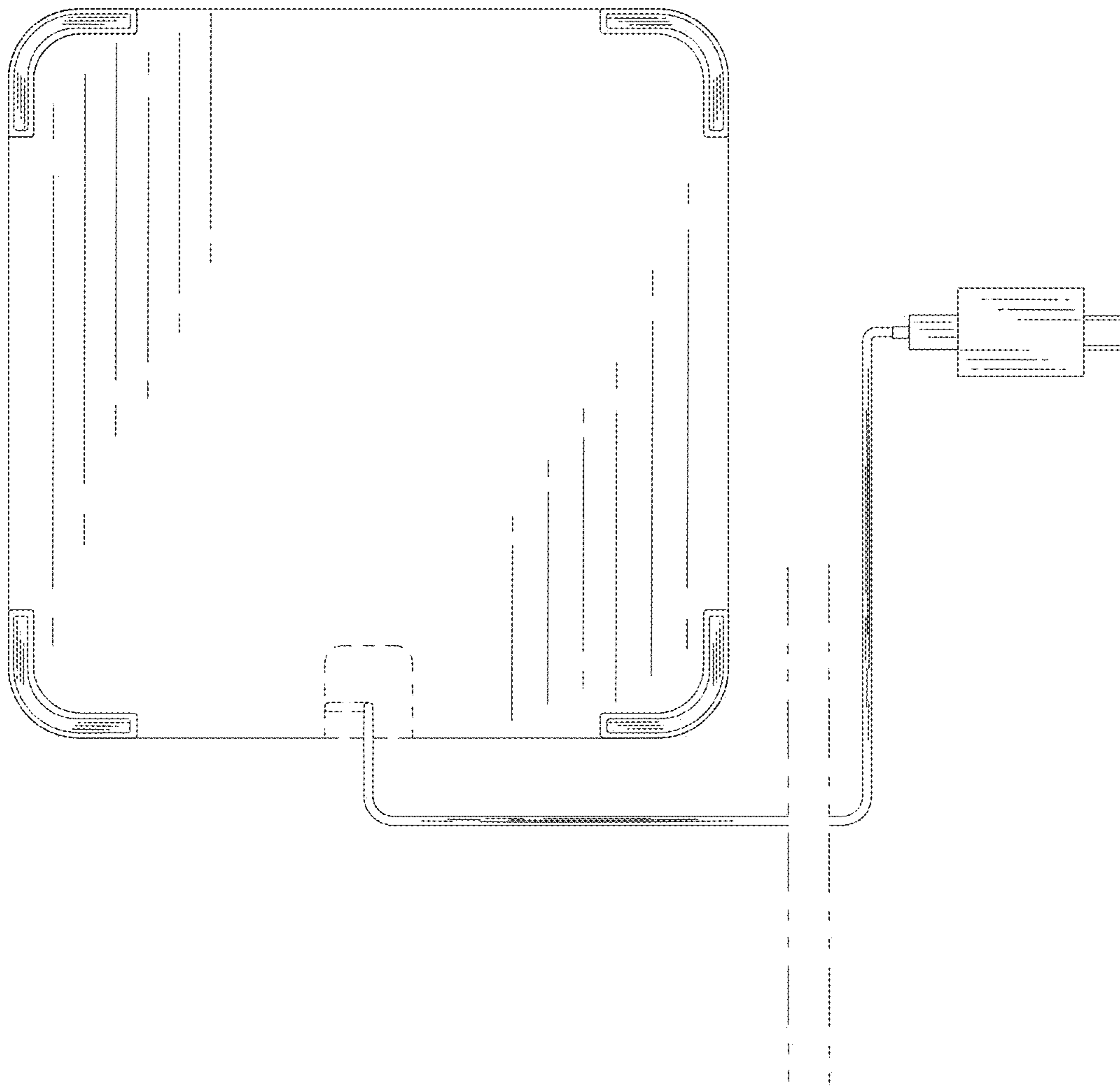


FIG.7