



US00D948135S

(12) **United States Design Patent** (10) **Patent No.:** **US D948,135 S**
Tu (45) **Date of Patent:** **** Apr. 5, 2022**

(54) **FOLDABLE WATER BOTTLE FOR PETS**

Primary Examiner — Susan Moon Lee

(71) Applicant: **Zhushi Tu**, Hubei (CN)

(72) Inventor: **Zhushi Tu**, Hubei (CN)

(**) Term: **15 Years**

(21) Appl. No.: **29/752,550**

(22) Filed: **Sep. 28, 2020**

(30) **Foreign Application Priority Data**

May 14, 2020 (CN) 202030218723.5

(51) **LOC (13) Cl.** **30-03**

(52) **U.S. Cl.**
USPC **D30/132**; D30/121; D30/129

(58) **Field of Classification Search**
USPC D30/121–133; 119/51.01, 61, 51.04, 53, 119/57.91, 54, 53.5, 52.4, 51.11, 63, 61.2, 119/52.1, 57.5, 57.6, 51.13, 62, 75, 500, 119/501, 72, 72.5, 74, 78–81, 61.56, 51.5; 239/7, 687, 379, 397.5; 222/199, 181.1, 222/181.2, 185.1, 557, 156, 485, 486, 222/548, 555, 207, 205, 424, 438, 48, 222/206, 212, 215, 460, 461, 525, 86, 89; 220/200, 227, 247, 262, 694, 700, 701, 220/703, 660–662, 521, 705, 709, 287, 220/523, 574, 6, 771, 737, 23.83, 212, 220/4.22, 847; 221/174, 185.1, 289, 295, 221/296, 559; 454/35
CPC . A01K 7/00; A01K 7/005; A01K 7/02; A01K 7/022; A01K 7/06; A01K 39/0213; A01K 39/02; B65D 41/26; B65D 41/265; B65D 41/28; B65D 41/32; B65D 41/325; B65D 41/34; B65D 41/56; B65D 51/20; B65D 51/249; B65D 51/24; B65D 51/28;
(Continued)

(56) **References Cited**

U.S. PATENT DOCUMENTS

1,393,657 A * 10/1921 Altenberg A45C 11/20
206/544
1,744,328 A * 1/1930 Morley A47J 43/27
215/383

(Continued)

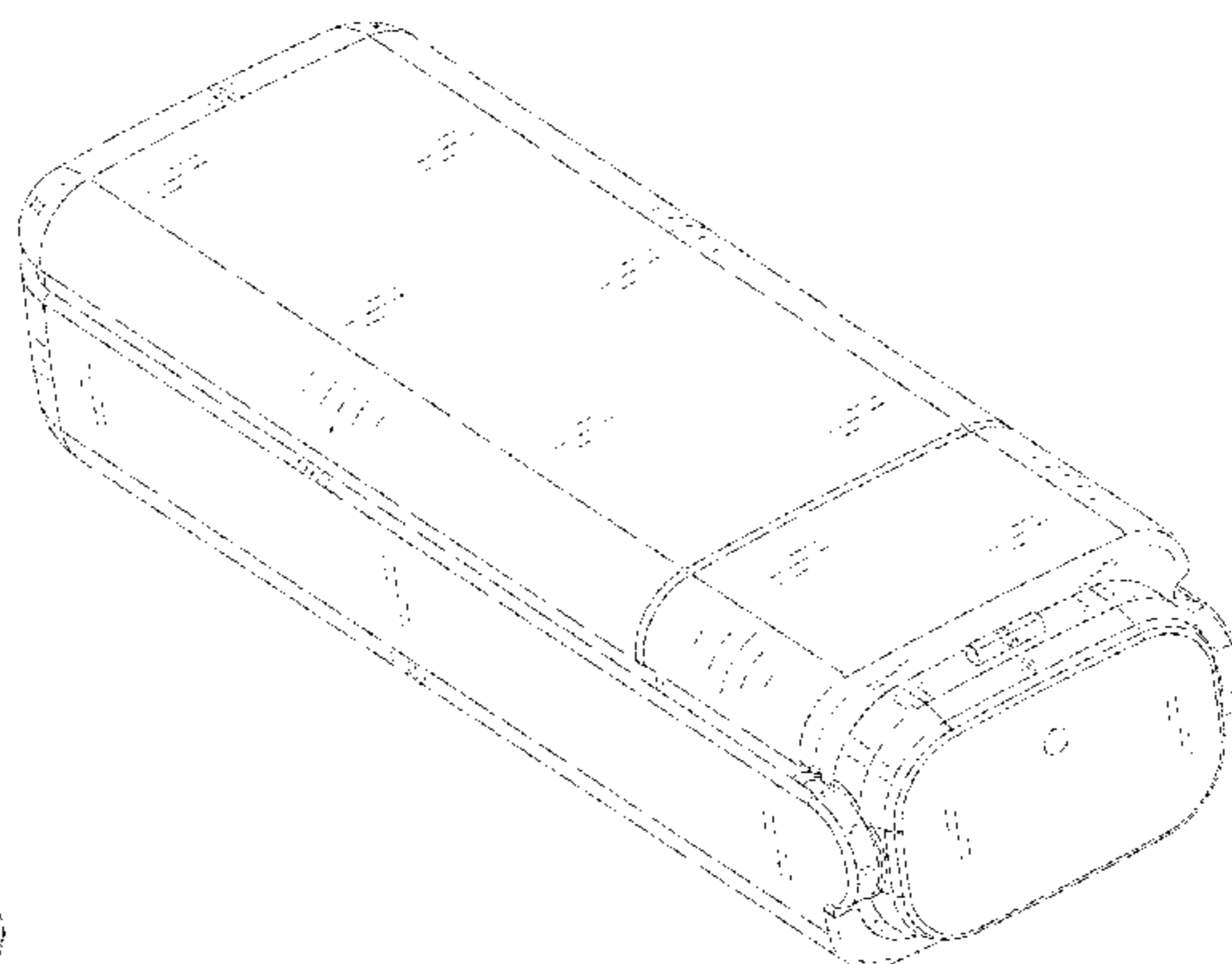
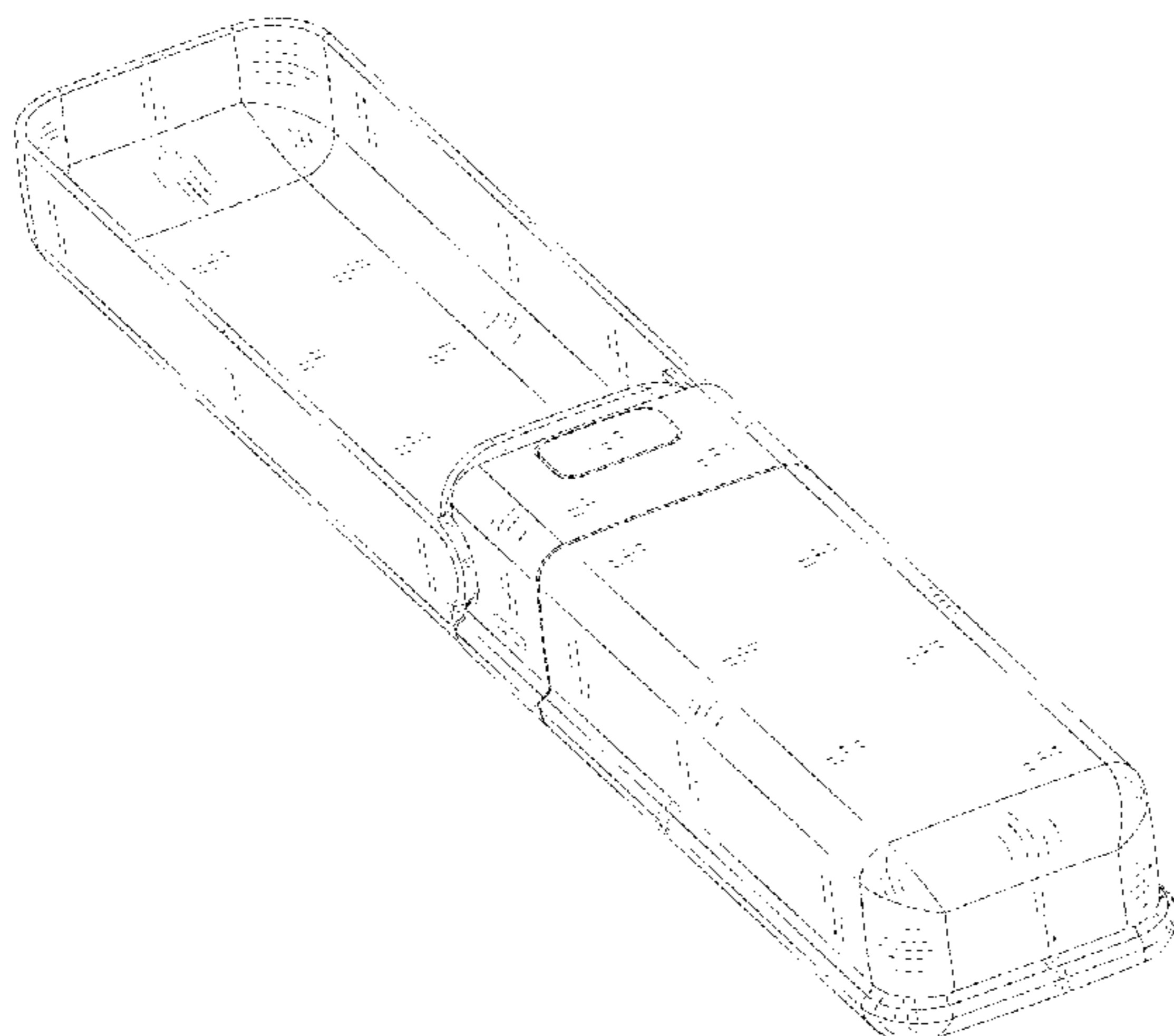
(57) **CLAIM**

The ornamental design for a foldable water bottle for pets, as shown and described.

DESCRIPTION

FIG. 1 is a front elevational view of a foldable water bottle for pets showing my new design;
FIG. 2 is a rear elevational view of FIG. 1;
FIG. 3 is a left side view of FIG. 1;
FIG. 4 is a right side view of FIG. 1;
FIG. 5 is a top plan view of FIG. 1;
FIG. 6 is a bottom plan view of FIG. 1;
FIG. 7 is a bottom, front and left side perspective view of FIG. 1;
FIG. 8 is a top, front and left side perspective view of FIG. 1;
FIG. 9 is a bottom, rear and right side perspective view of FIG. 1;
FIG. 10 is a front elevational view showing the foldable water bottle for pets in a folded state;
FIG. 11 is a rear elevational view of FIG. 10;
FIG. 12 is a left side view of FIG. 10;
FIG. 13 is a right side view of FIG. 10;
FIG. 14 is a top plan view of FIG. 10;
FIG. 15 is a bottom plan view of FIG. 10;
FIG. 16 is a top, rear and left side perspective view of FIG. 10; and,
FIG. 17 is a bottom, front and left side perspective view of FIG. 10.
The broken lines in the drawings illustrate portions of the foldable water bottle for pets which form no part of the claimed design.

1 Claim, 17 Drawing Sheets



(58) **Field of Classification Search**

CPC B65D 47/243; B65D 2205/04; B65D 21/0238; B65D 81/3205; B65D 81/3216; B65D 71/50; B65D 77/2024; B65D 43/0212; B65D 2517/0049; B65D 2543/00046; B65D 2543/00092; B65D 2543/00537; B65D 2543/00731; B65D 2543/00796; B65D 2577/205; A61J 9/00; A61J 9/006; A61J 9/001; A61J 9/003; A61J 11/04; A61J 19/00; B65B 39/00; B65B 39/001; B65B 39/005; B65B 39/007; B67C 11/02; G01F 11/286; B67B 7/28

See application file for complete search history.

(56) **References Cited**

U.S. PATENT DOCUMENTS

4,603,784 A * 8/1986 Chang A61J 9/008 215/11.1
 D294,750 S * 3/1988 Atchley D30/132
 D300,963 S * 5/1989 Atchley D30/132
 5,377,879 A * 1/1995 Isaacs A61J 7/0023 222/192
 5,441,017 A * 8/1995 Lindsay A01K 27/003 119/161
 5,636,592 A * 6/1997 Wechsler A01K 7/02 119/52.1
 5,960,742 A * 10/1999 O'Rourke A01K 7/00 119/74
 D423,736 S * 4/2000 O'Rourke D30/132
 6,279,233 B1 * 8/2001 Cameron A61J 7/0023 30/125
 D468,489 S * 1/2003 Wechsler D30/132
 6,604,649 B1 * 8/2003 Campi B65D 81/3886 220/592.17
 7,287,487 B2 * 10/2007 Hurwitz A01K 7/00 119/74
 D577,584 S * 9/2008 Porter D9/447
 D580,227 S * 11/2008 Roth D7/392.1
 D580,715 S * 11/2008 Finell D7/643
 7,490,577 B2 * 2/2009 Stephanos A01K 7/00 119/52.1
 7,690,329 B2 * 4/2010 Parks A01K 7/00 119/74
 8,020,303 B1 * 9/2011 Marsh A47G 21/004 30/324
 D646,919 S * 10/2011 Nilsson B65D 47/148 D7/300.1
 D658,064 S * 4/2012 Barnes D9/532
 8,272,351 B2 * 9/2012 Hurwitz A01K 7/00 119/74

D670,134 S * 11/2012 Di Lollo D7/507
 D705,501 S * 5/2014 Li D30/132
 D711,740 S * 8/2014 Lien D9/436
 D728,169 S * 4/2015 Yacov D30/121
 D739,984 S * 9/2015 Harvey D30/132
 9,351,475 B2 * 5/2016 Yacov A01K 7/00
 D774,834 S * 12/2016 Breit D7/587
 D809,845 S * 2/2018 Marchitello D7/306
 10,085,543 B2 * 10/2018 Breit B65D 23/003
 D832,650 S * 11/2018 Diebel D7/511
 D850,017 S * 5/2019 Brucato D30/132
 D854,256 S * 7/2019 Flores D30/132
 D854,378 S * 7/2019 Breit D7/507
 D861,258 S * 9/2019 Liang D30/132
 D871,839 S * 1/2020 Sun D7/507
 D875,327 S * 2/2020 Gong D30/132
 D906,601 S * 12/2020 Roost D30/132
 D917,108 S * 4/2021 Xie D30/132
 D936,296 S * 11/2021 Chen D30/121
 2004/0006874 A1 * 1/2004 Kamm B65D 51/246 30/141
 2006/0278169 A1 * 12/2006 Logan A01K 5/0114 119/61.56
 2007/0017450 A1 * 1/2007 Hurwitz A01K 7/00 119/74
 2007/0017451 A1 * 1/2007 Hurwitz A01K 7/00 119/74
 2007/0017452 A1 * 1/2007 Hurwitz A01K 7/00 119/74
 2007/0079762 A1 * 4/2007 Stephanos A01K 7/00 119/74
 2008/0087224 A1 * 4/2008 Wechsler A01K 7/00 119/52.1
 2009/0159009 A1 * 6/2009 Parks A01K 7/00 119/74
 2012/0298045 A1 * 11/2012 Wechsler A01K 7/00 119/52.1
 2014/0209032 A1 * 7/2014 Li A01K 7/00 119/74
 2014/0261198 A1 * 9/2014 Wechsler A01K 7/00 119/52.1
 2014/0360434 A1 * 12/2014 Yacov A01K 5/0114 119/51.5
 2015/0298867 A1 * 10/2015 Sanderson A47G 19/2266 215/6
 2016/0280447 A1 * 9/2016 Beardsell B65D 47/148
 2016/0316896 A1 * 11/2016 Breit A01K 7/00
 2017/0127859 A1 * 5/2017 Hornung A45F 3/18
 2017/0354120 A1 * 12/2017 Yang B65D 51/18
 2019/0216052 A1 * 7/2019 Yang A01K 7/00
 2019/0380541 A1 * 12/2019 Yurkovetskaya .. B65D 43/0231
 2021/0068367 A1 * 3/2021 Gong A01K 7/00

* cited by examiner

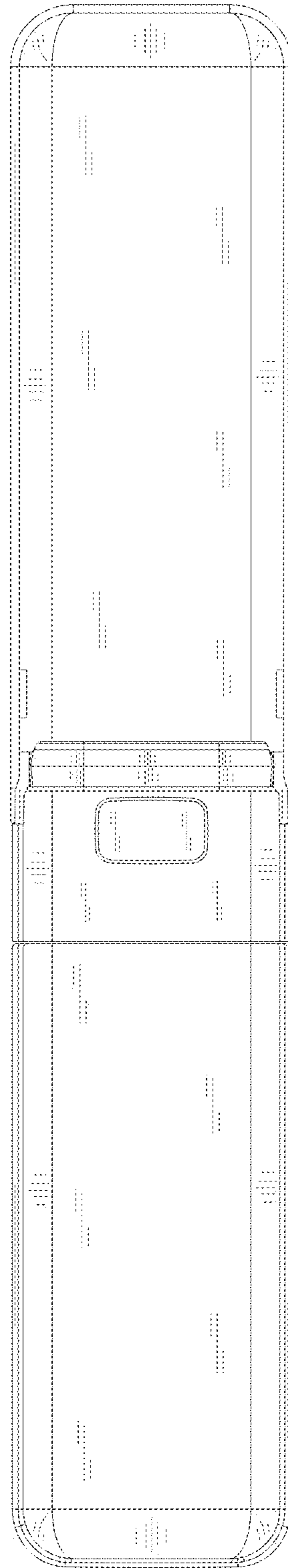


Fig. 1

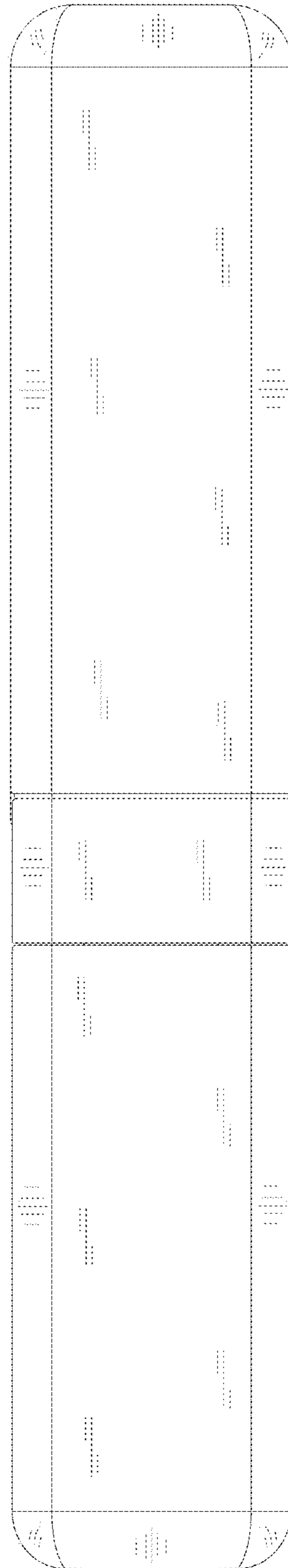


Fig. 2

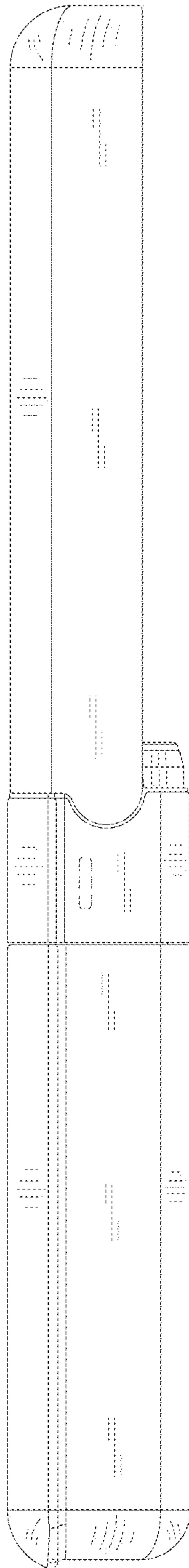


Fig. 3

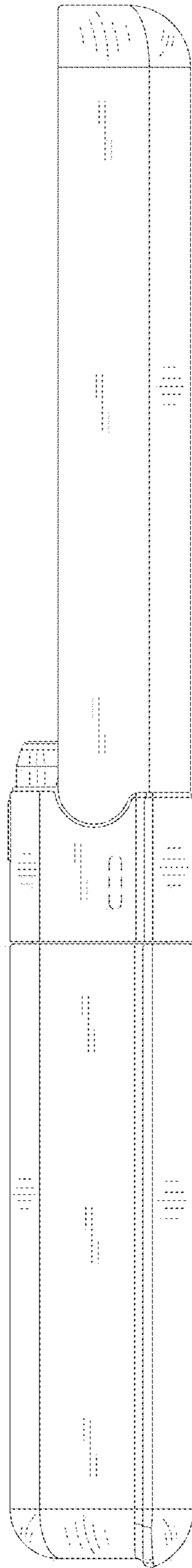


Fig. 4

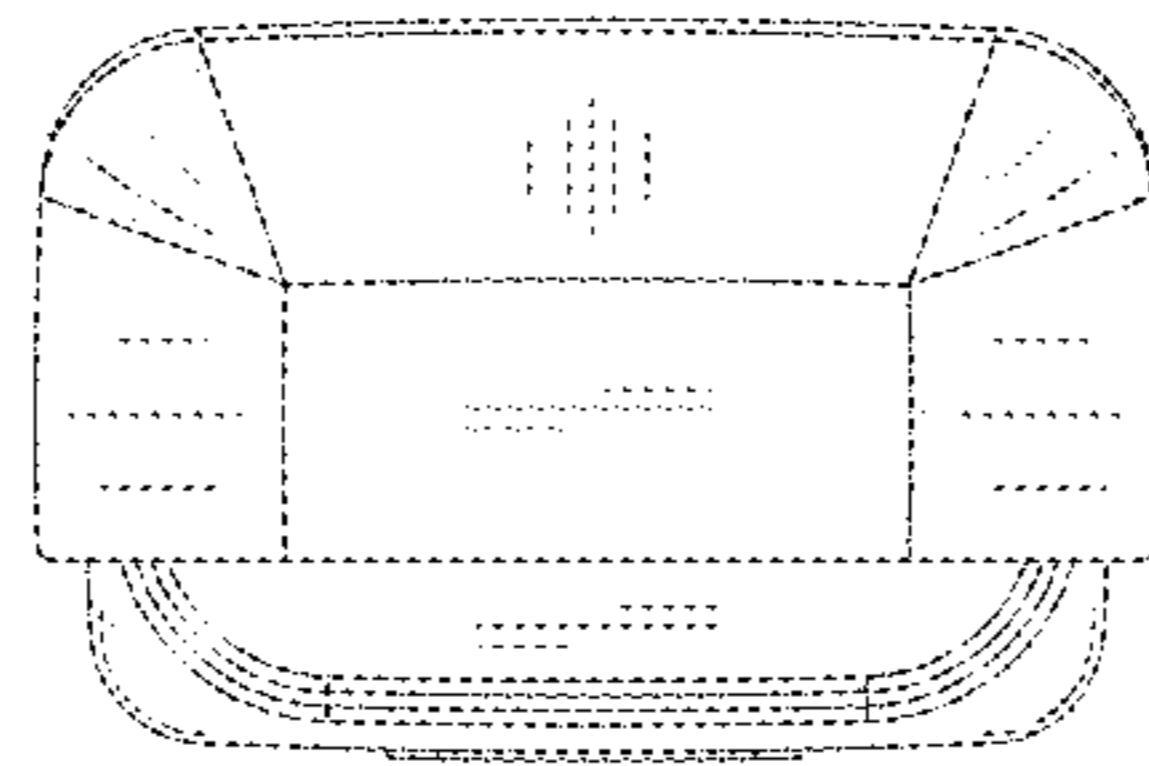


Fig. 5

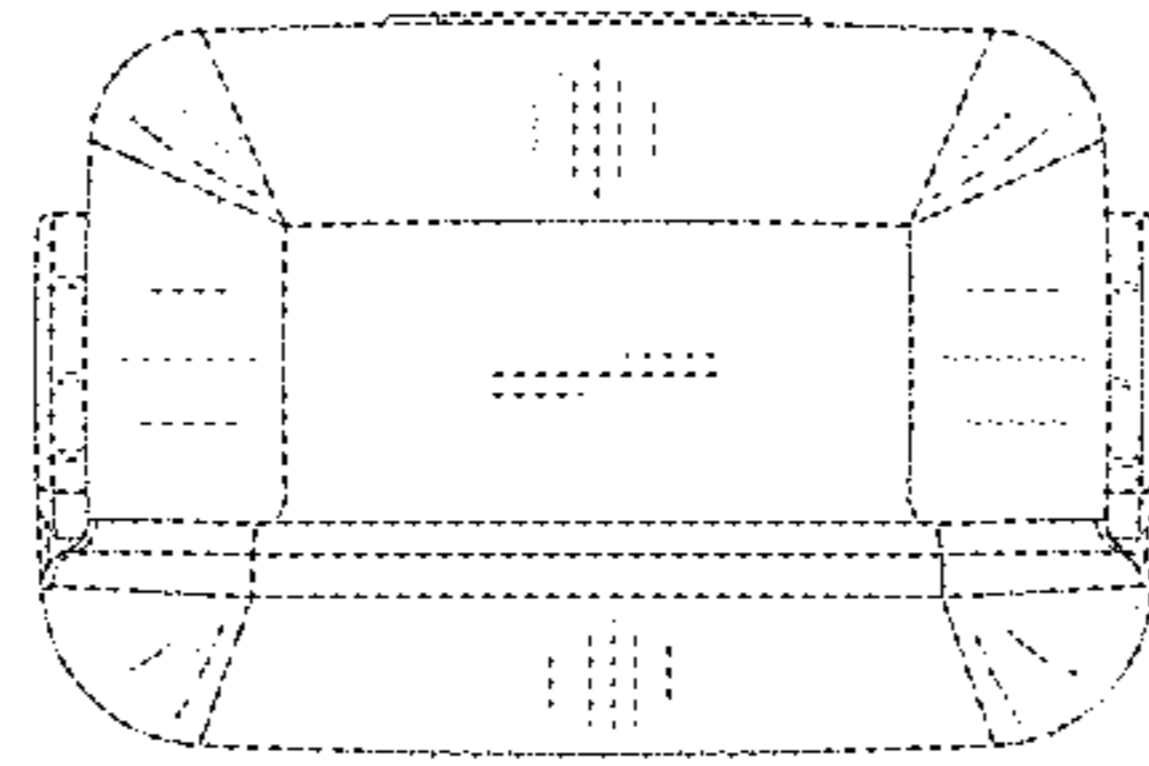


Fig. 6

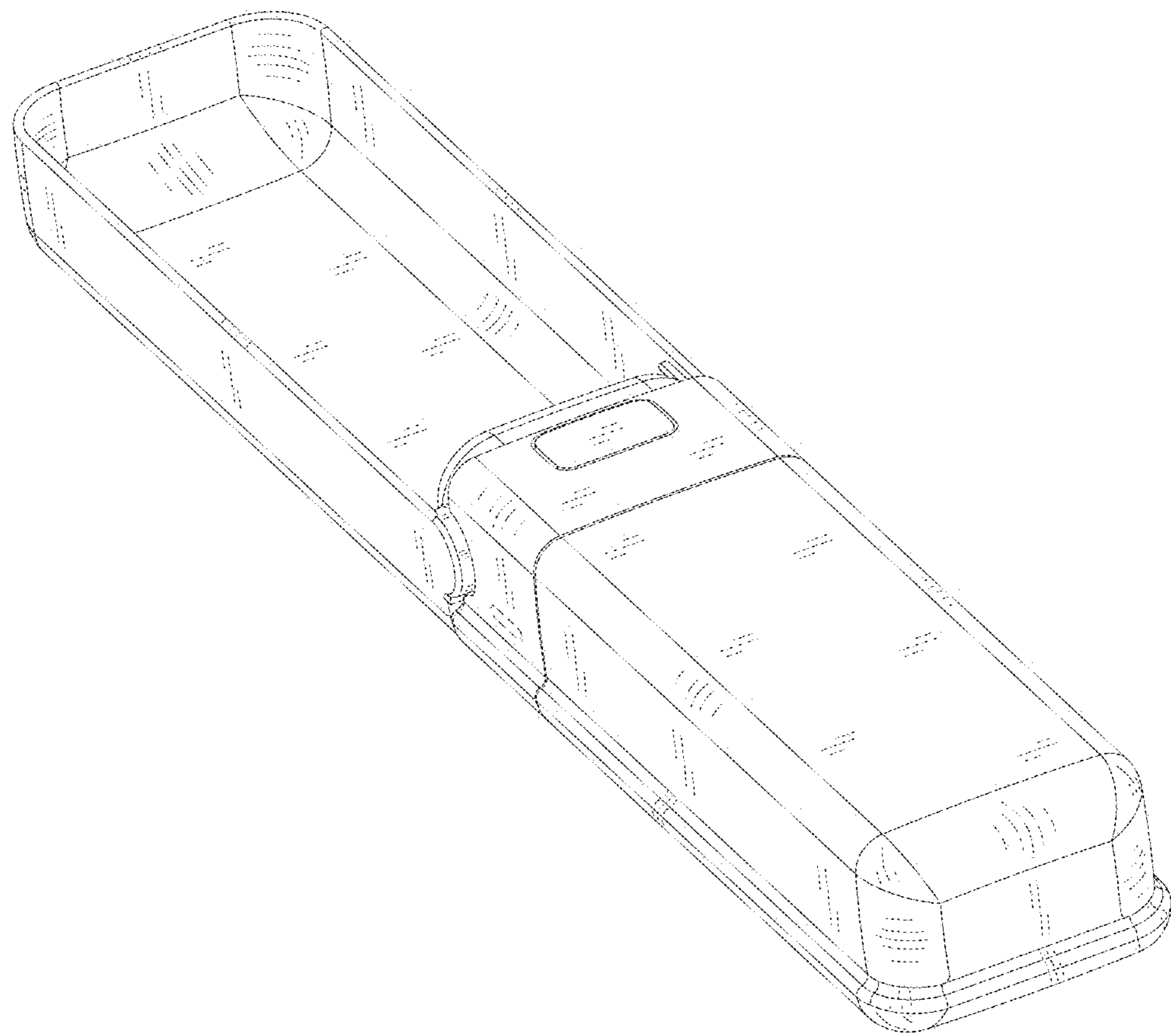


Fig. 7

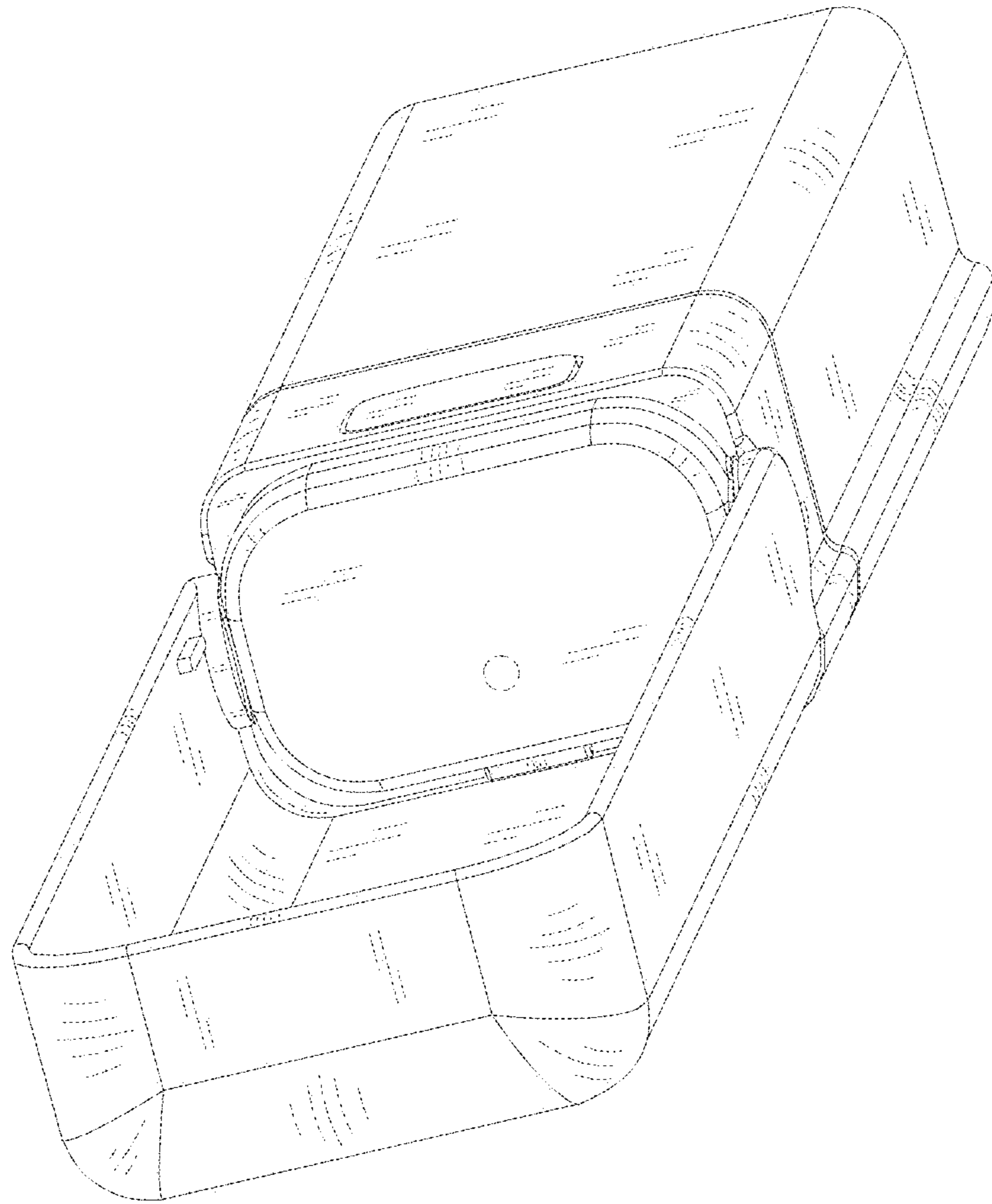


Fig. 8

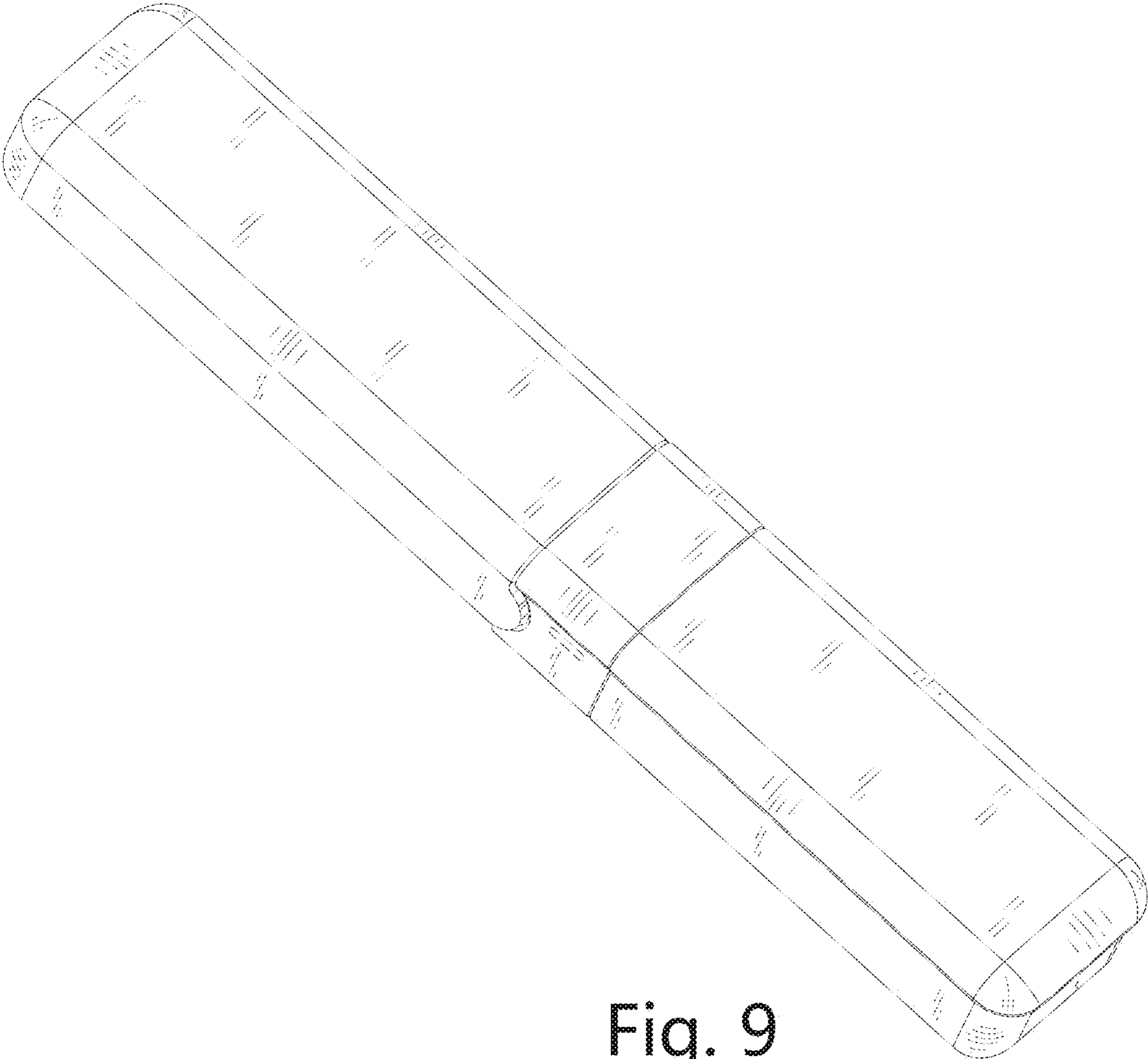


Fig. 9

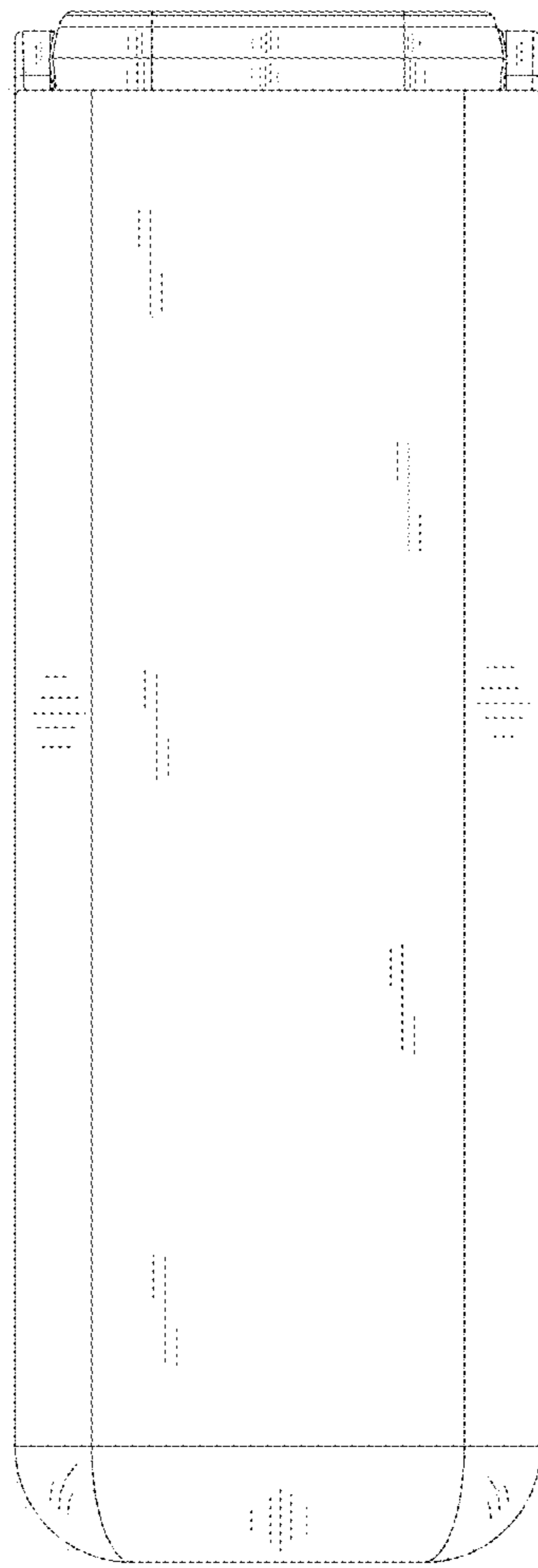


Fig. 10

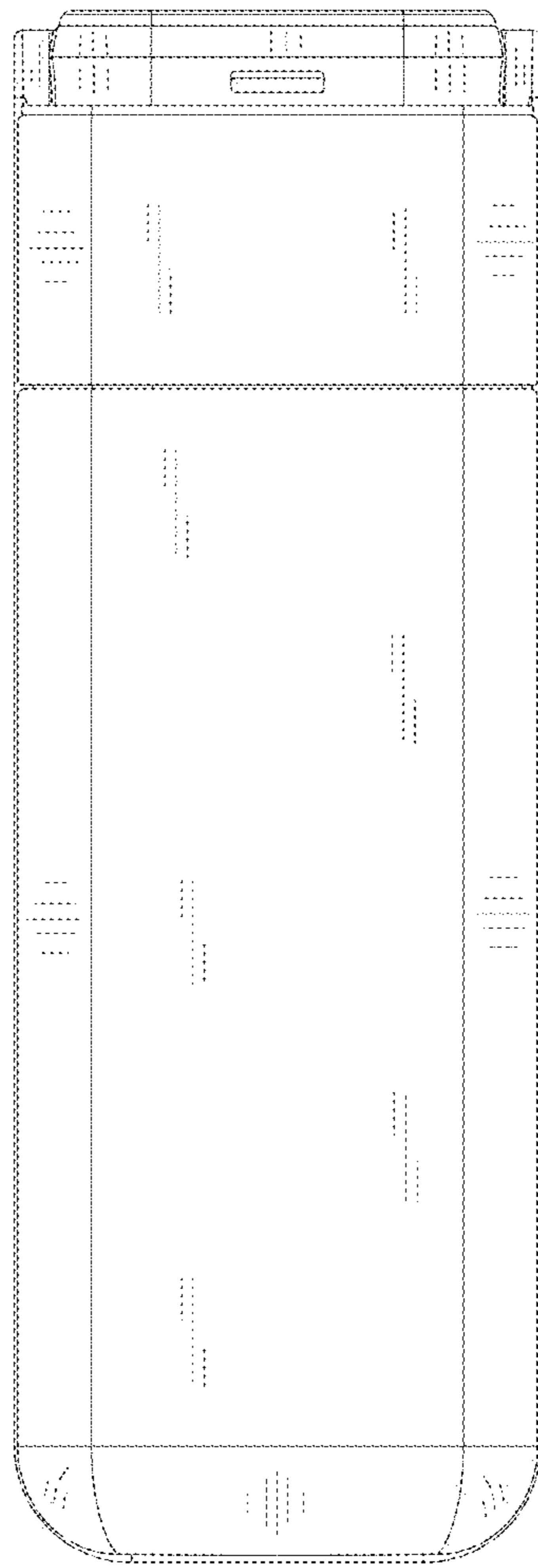


Fig. 11

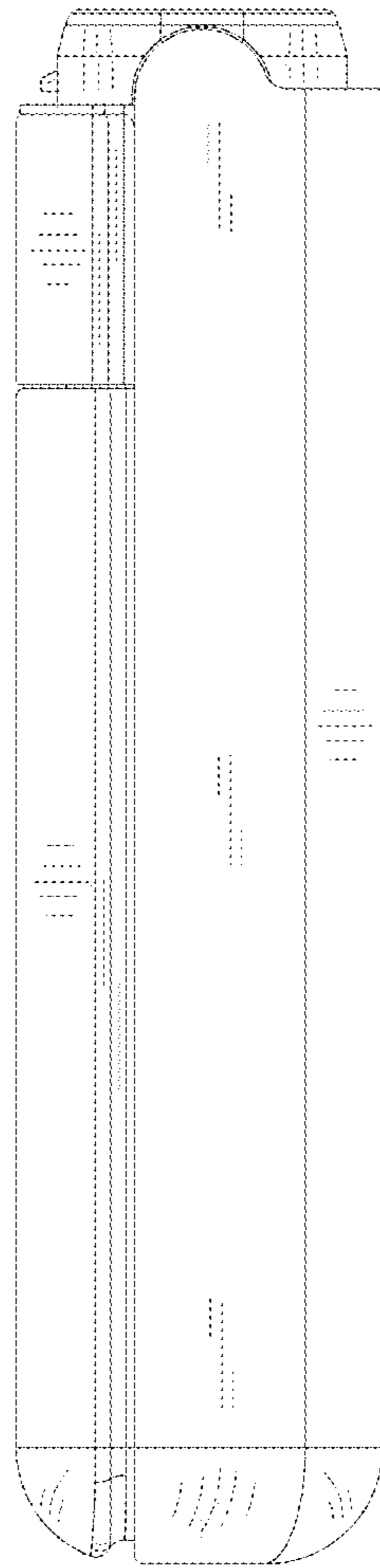


Fig. 12

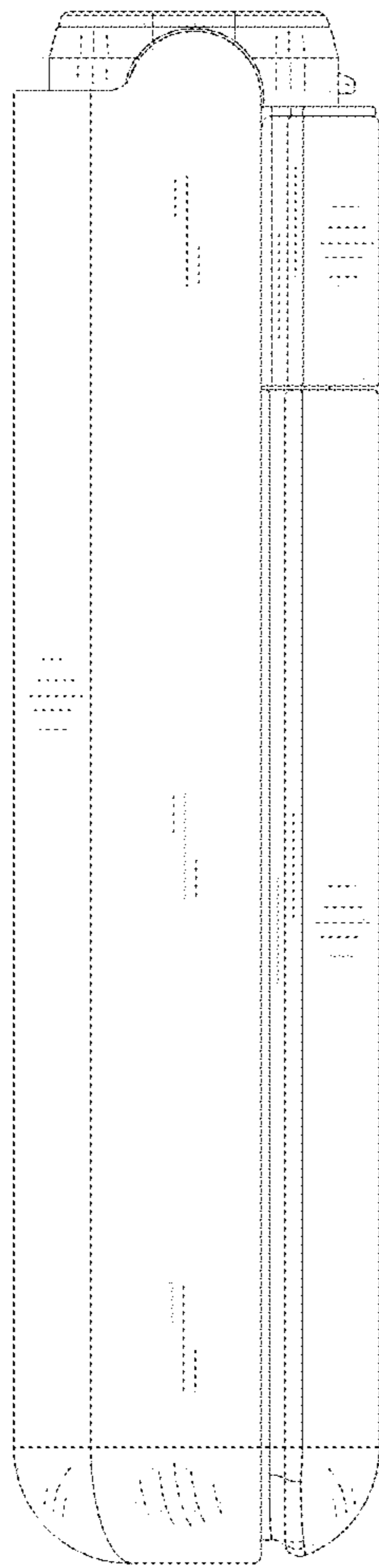


Fig. 13

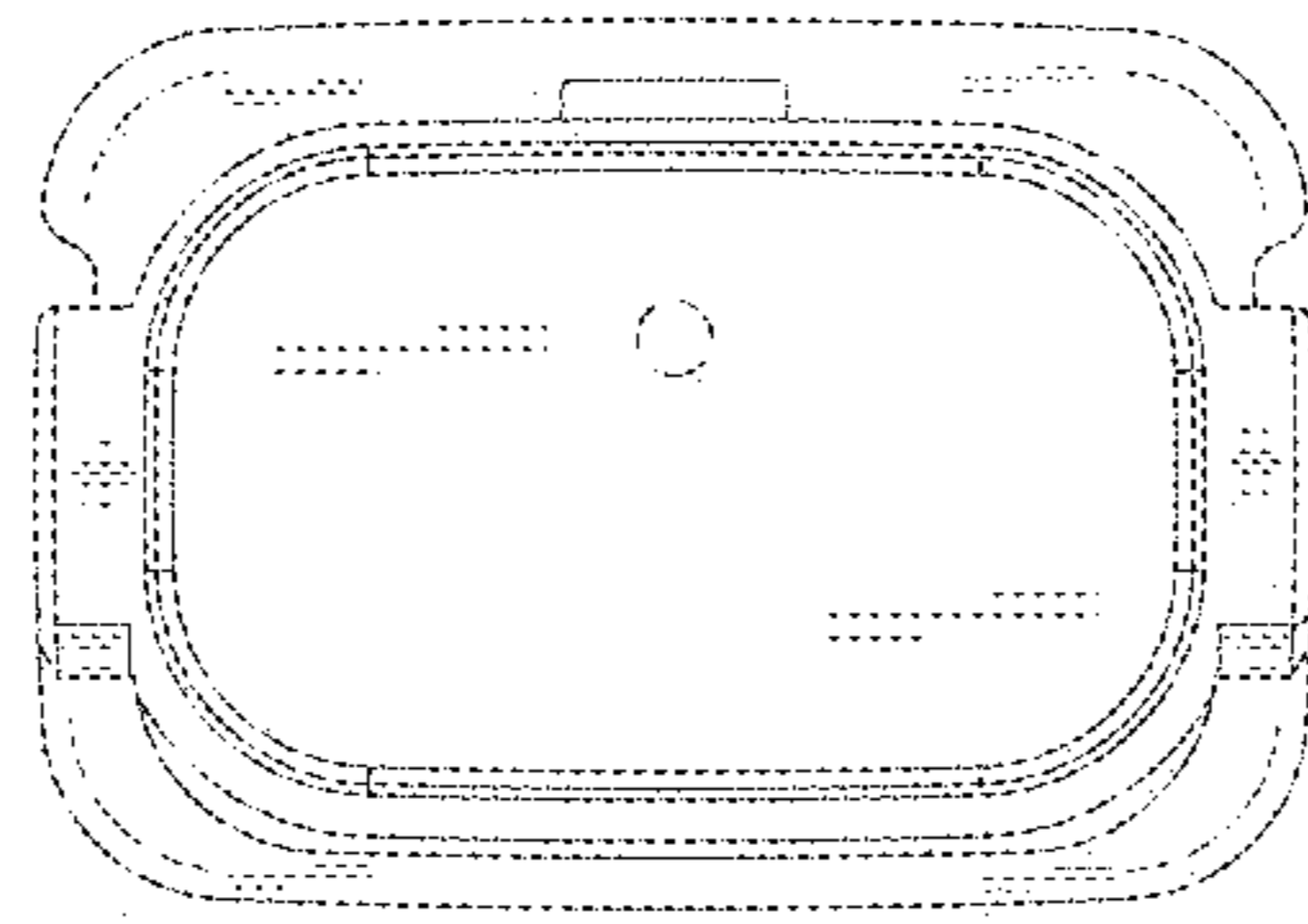


Fig. 14

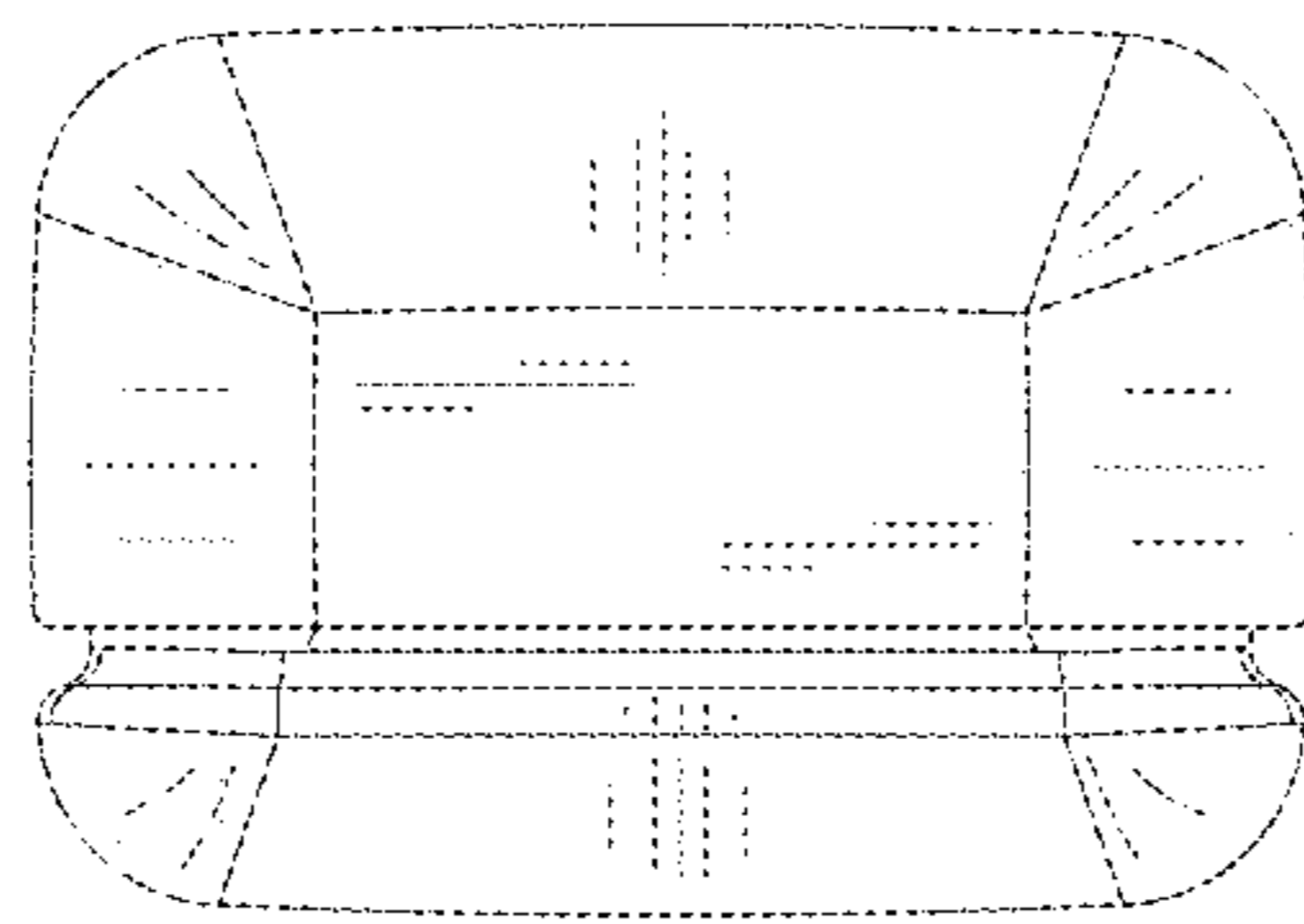


Fig. 15

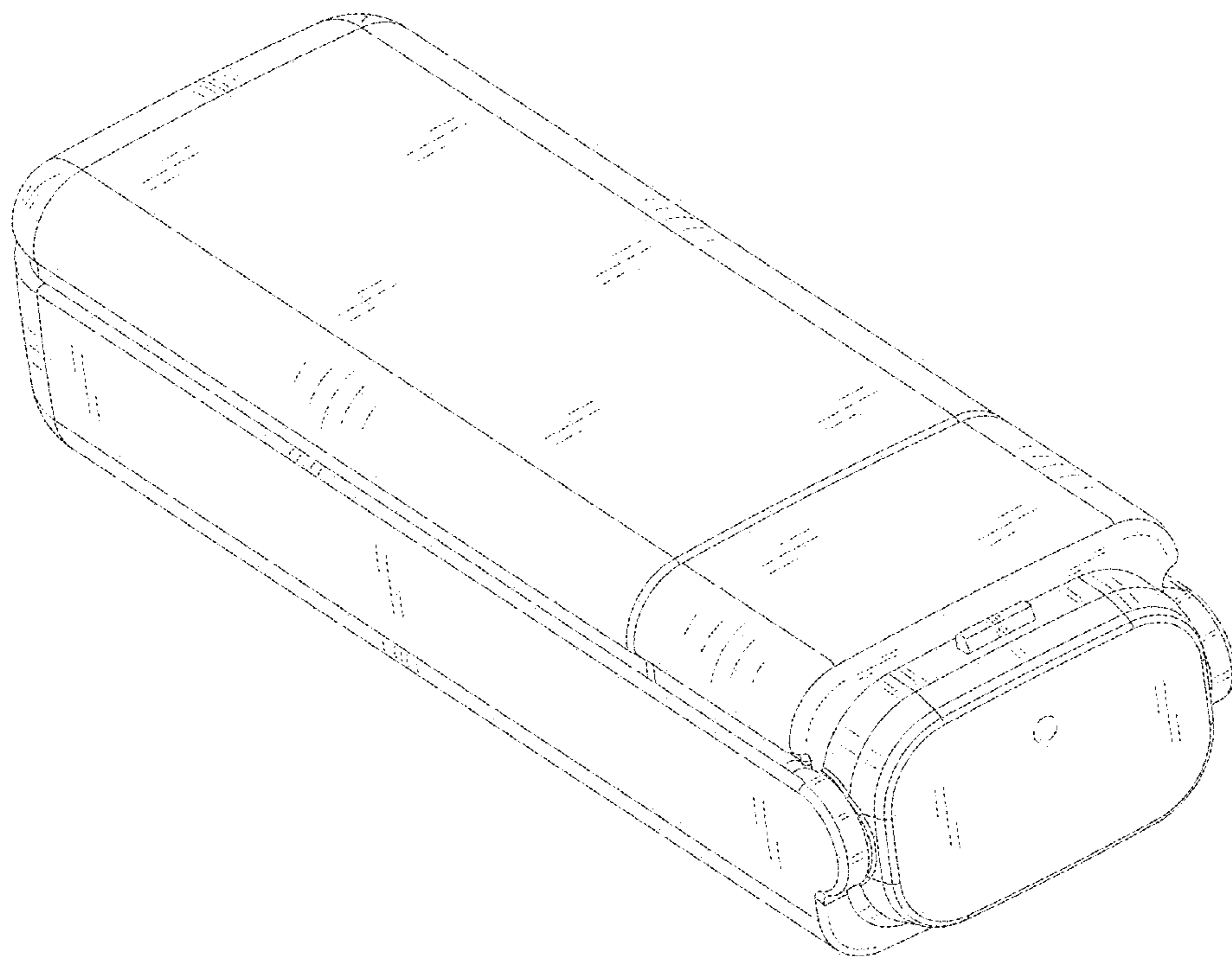


Fig. 16

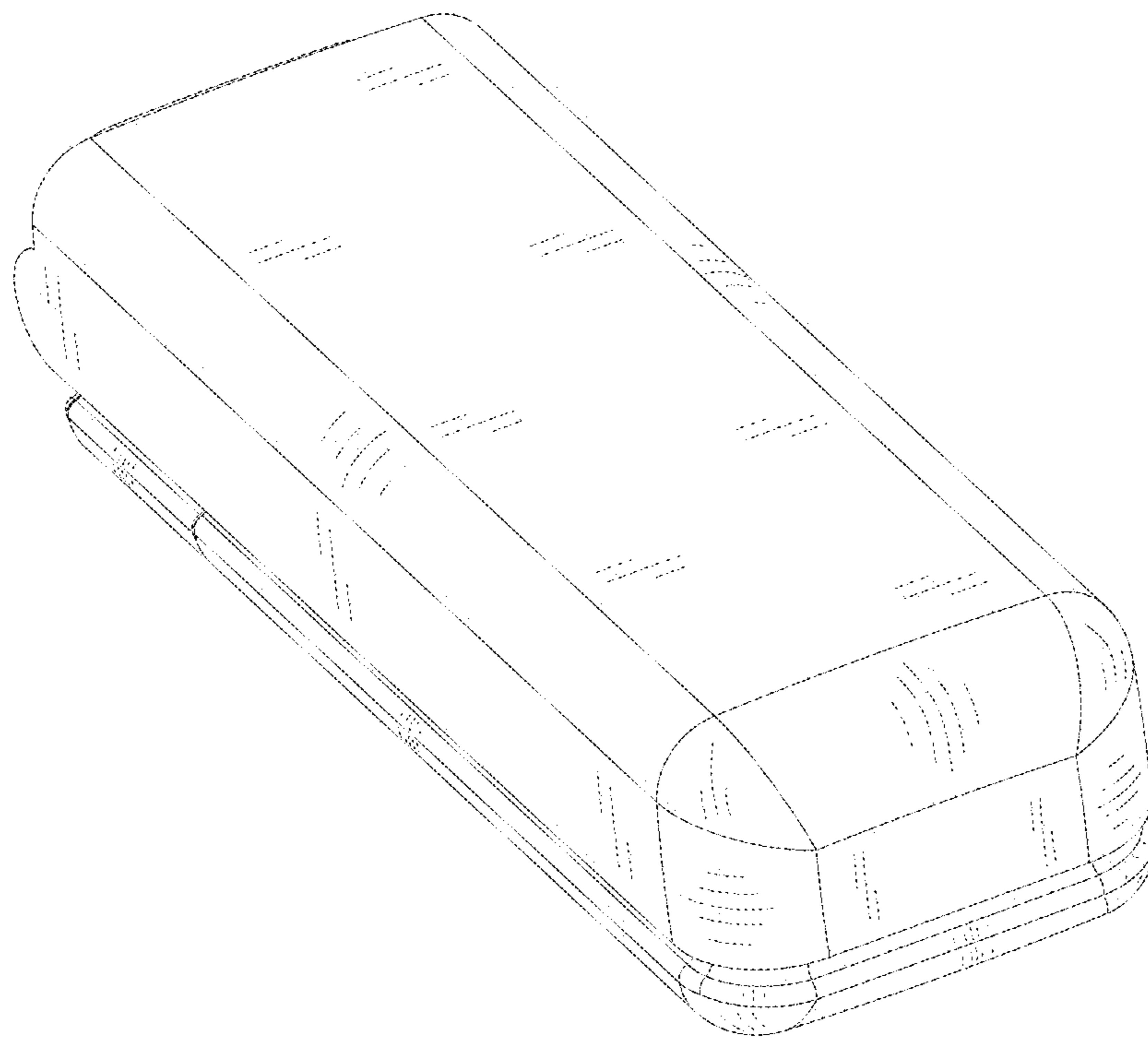


Fig. 17