



US00D948134S

(12) **United States Design Patent** (10) **Patent No.:** **US D948,134 S**  
**Tu** (45) **Date of Patent:** **\*\* Apr. 5, 2022**

(54) **WATER DRINKING DEVICE FOR PETS**

(71) Applicant: **Zhushi Tu**, Hubei (CN)

(72) Inventor: **Zhushi Tu**, Hubei (CN)

(\*\*) Term: **15 Years**

(21) Appl. No.: **29/752,100**

(22) Filed: **Sep. 24, 2020**

(30) **Foreign Application Priority Data**

Apr. 10, 2020 (CN) ..... 202030138839.8

(51) **LOC (13) Cl.** ..... **30-03**

(52) **U.S. Cl.**  
USPC ..... **D30/132**

(58) **Field of Classification Search**  
USPC ..... D23/202, 207, 209, 213, 222, 225,  
D23/255-256, 272-273; D30/121-133  
CPC .. A01K 5/0114; A01K 5/0121; A01K 5/0135;  
A01K 7/005; A01K 7/00; A01K 39/02;  
F04B 23/00; F04B 23/02; Y10T  
137/86035; Y10T 137/8376  
See application file for complete search history.

(56) **References Cited**

**U.S. PATENT DOCUMENTS**

- 4,085,706 A \* 4/1978 Evans ..... A01K 5/0114  
119/61.54
- D569,560 S \* 5/2008 Greenan ..... D30/129
- D681,888 S \* 5/2013 Fang ..... D30/132
- D694,477 S \* 11/2013 Rowe ..... D30/132
- D704,903 S \* 5/2014 Fang ..... D30/132
- D764,117 S \* 8/2016 Fang ..... D30/132
- D819,898 S \* 6/2018 Poisson ..... D30/132

- D820,534 S \* 6/2018 Huang ..... D30/132
- D871,683 S \* 12/2019 Lee ..... D30/132
- D872,381 S \* 1/2020 Lee ..... D30/132
- D899,709 S \* 10/2020 MacNeil ..... D30/133
- D917,106 S \* 4/2021 Ma ..... A01K 5/0114  
D30/132
- D917,793 S \* 4/2021 Huang ..... D30/132

**OTHER PUBLICATIONS**

Eccomas Dog Water Fountain Apr. 26, 2021 found on Nov. 1, 2021 at: <https://www.amazon.com/eccomas-Fountain-Dishwasher-Safe-Free-Flowing-Replacement/dp/B093GTYLZW/> (Year: 2021).\*

\* cited by examiner

*Primary Examiner* — Karen S Acker  
*Assistant Examiner* — Jonathan E Fiencke

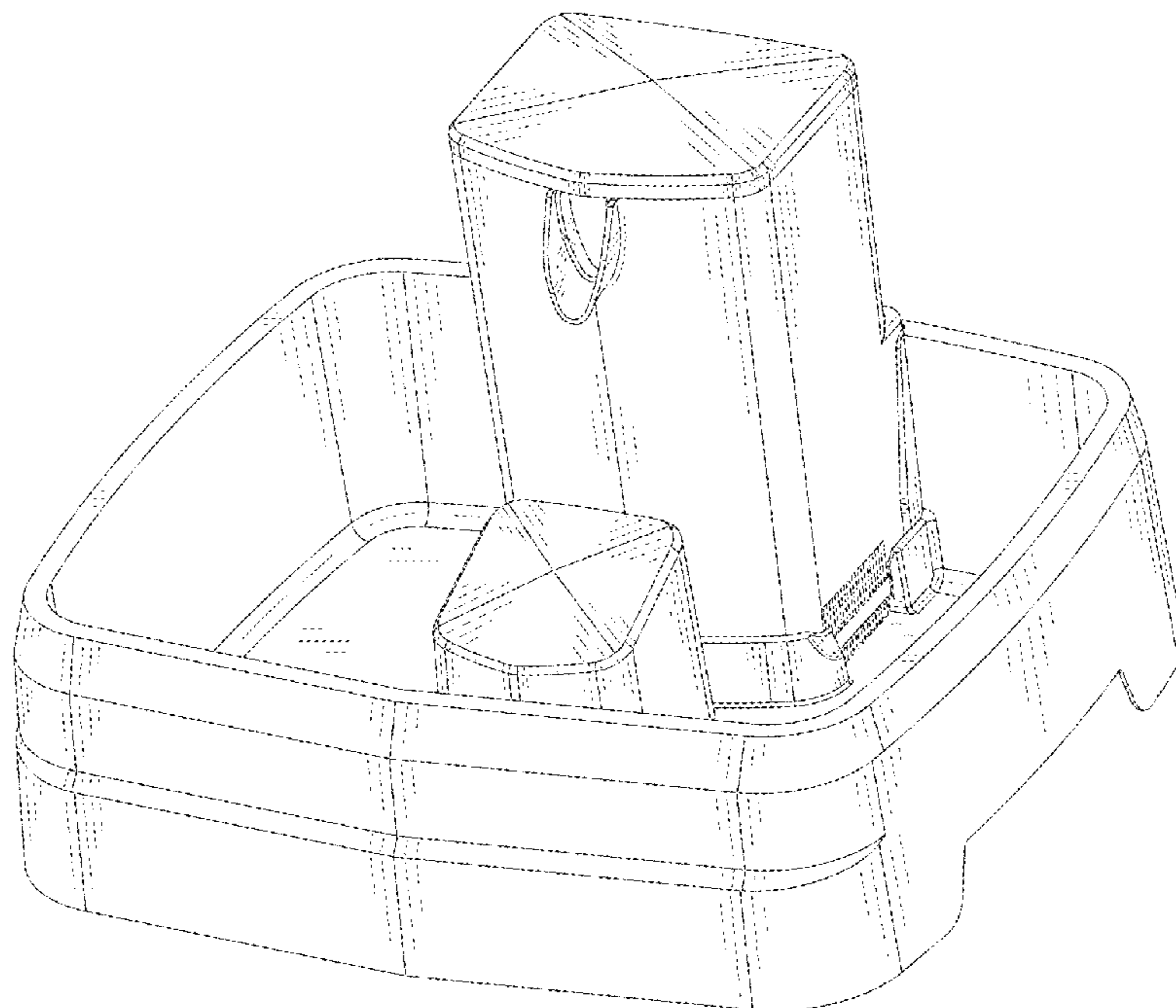
(57) **CLAIM**

The ornamental design for a water drinking device for pets, as shown and described.

**DESCRIPTION**

FIG. 1 is a front elevational view of a water drinking device for pets showing my new design;  
FIG. 2 is a rear elevational view thereof;  
FIG. 3 is a left side view thereof;  
FIG. 4 is a right side view thereof;  
FIG. 5 is a top plan view thereof;  
FIG. 6 is a bottom plan view thereof;  
FIG. 7 is a top, front and right side perspective view thereof;  
and,  
FIG. 8 is a top, rear and left side perspective view thereof.  
The broken lines in the drawings illustrate portions of the water drinking device for pets which form no part of the claimed design.

**1 Claim, 8 Drawing Sheets**



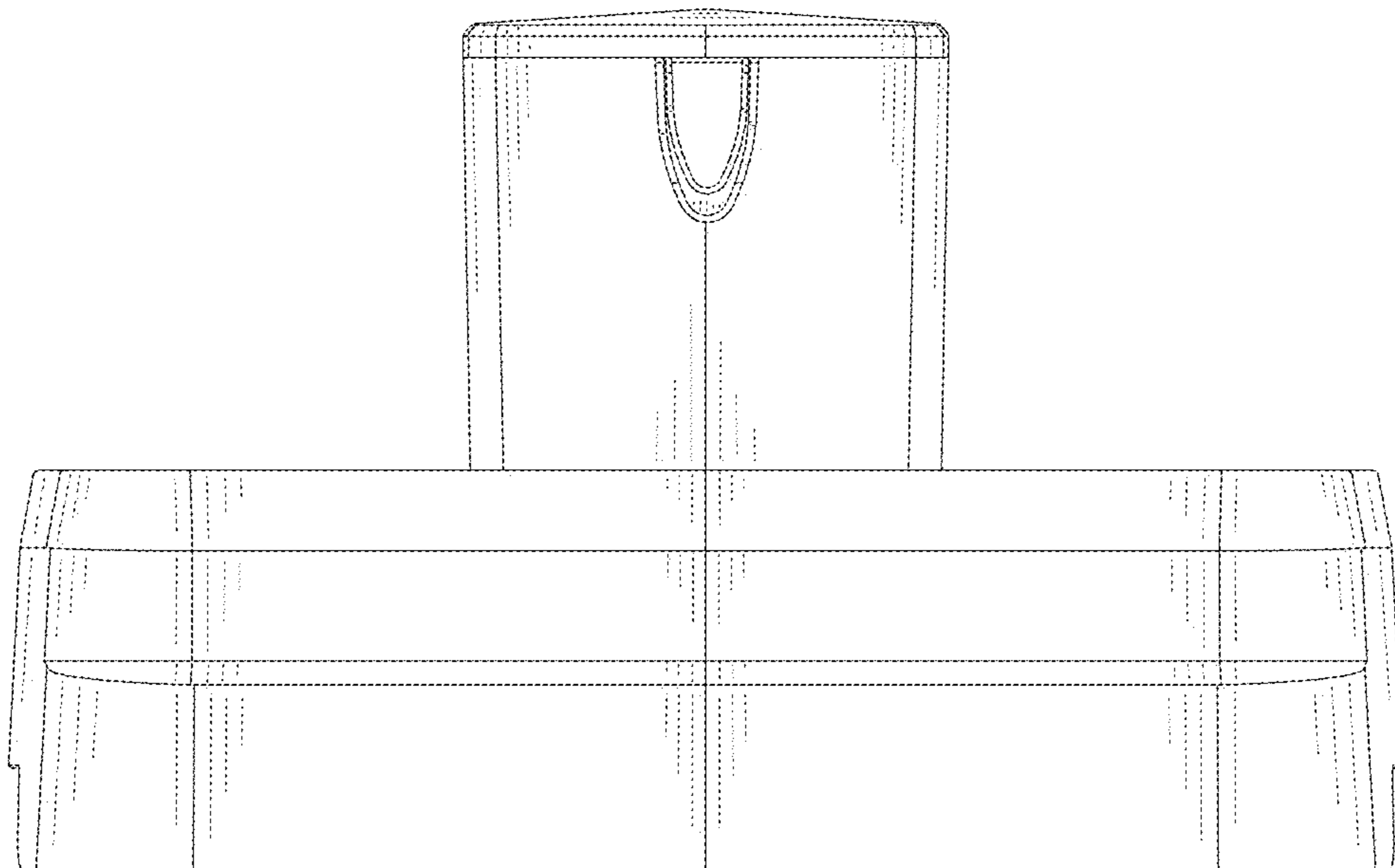


Fig. 1

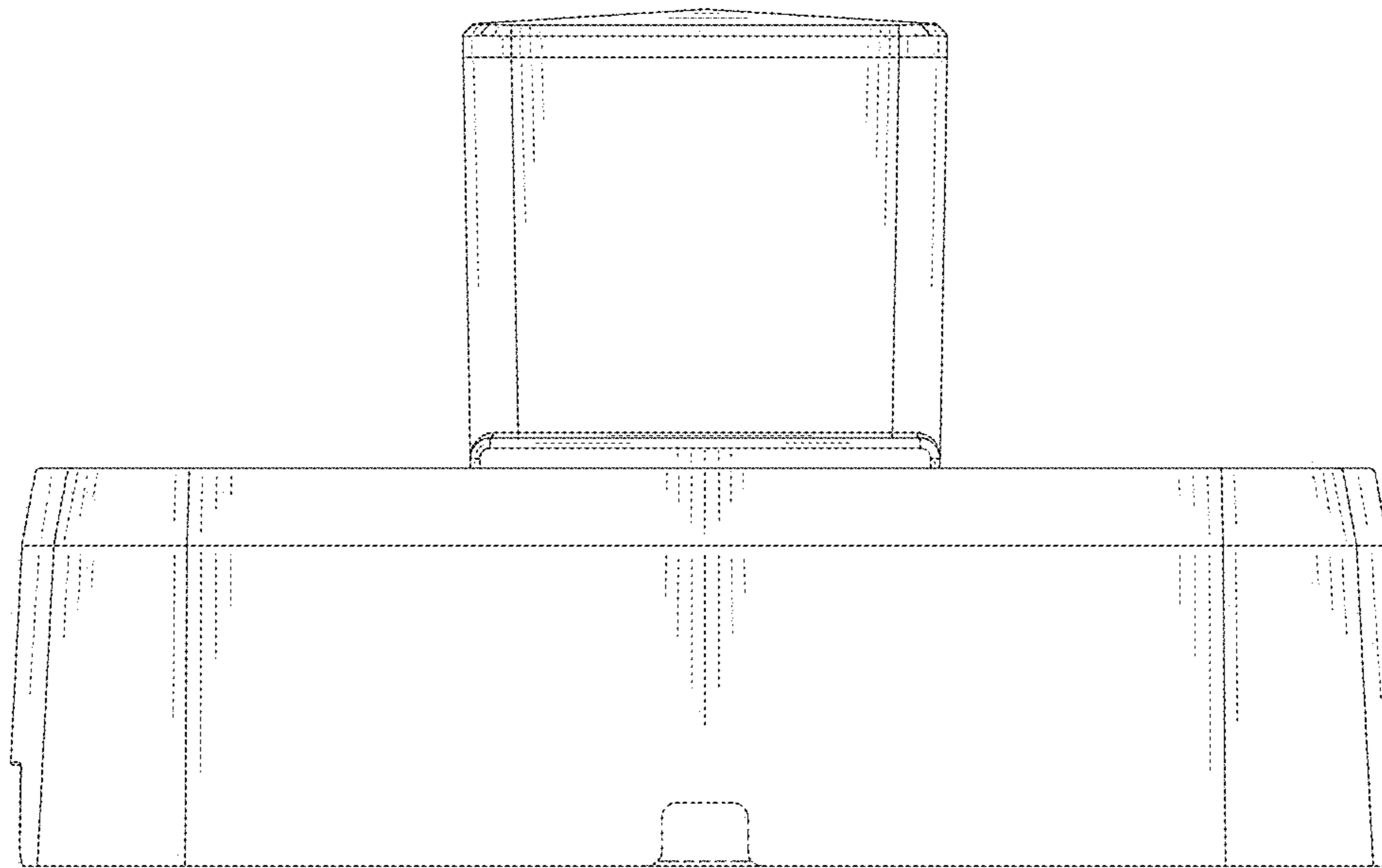


Fig.2

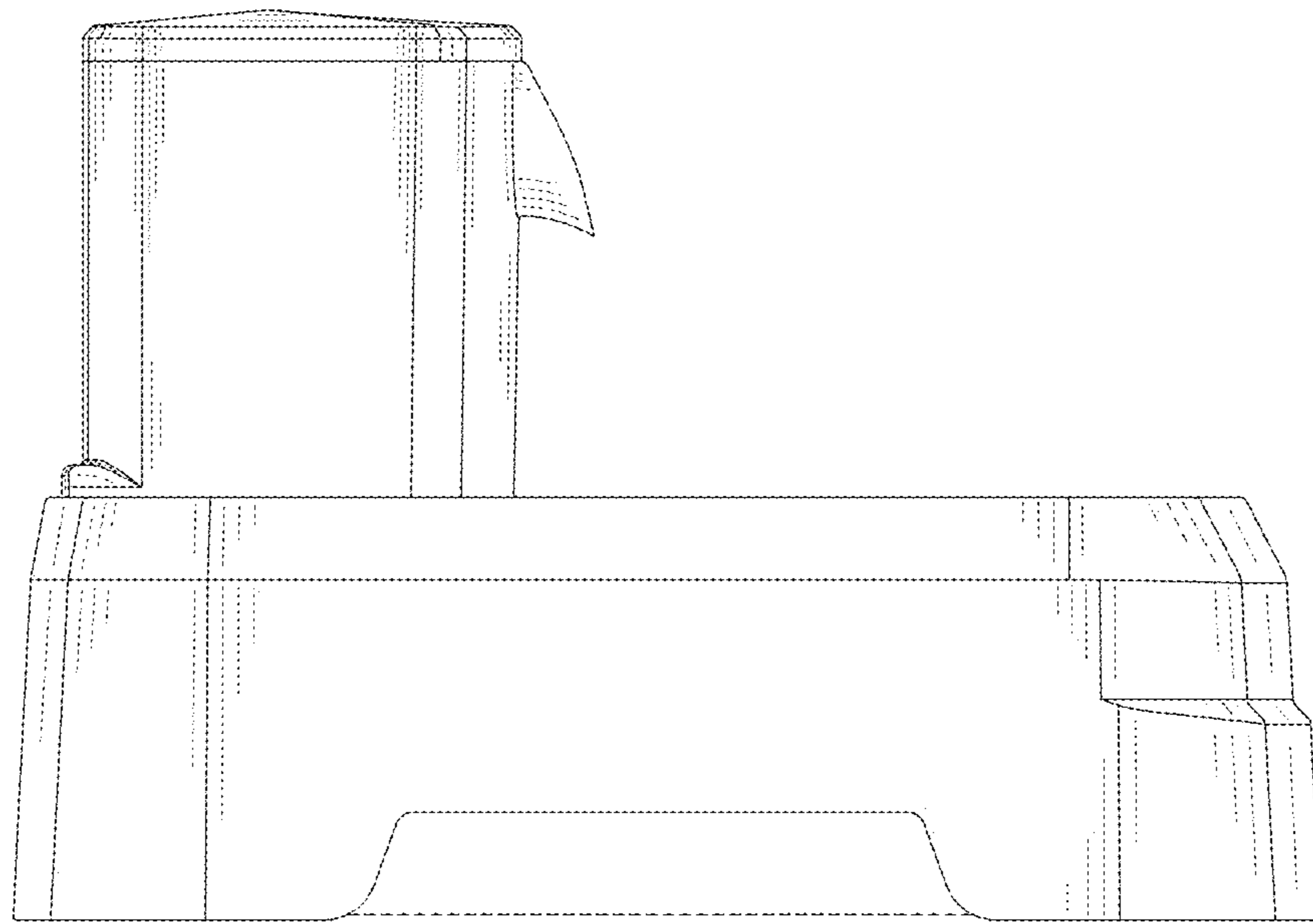


Fig.3

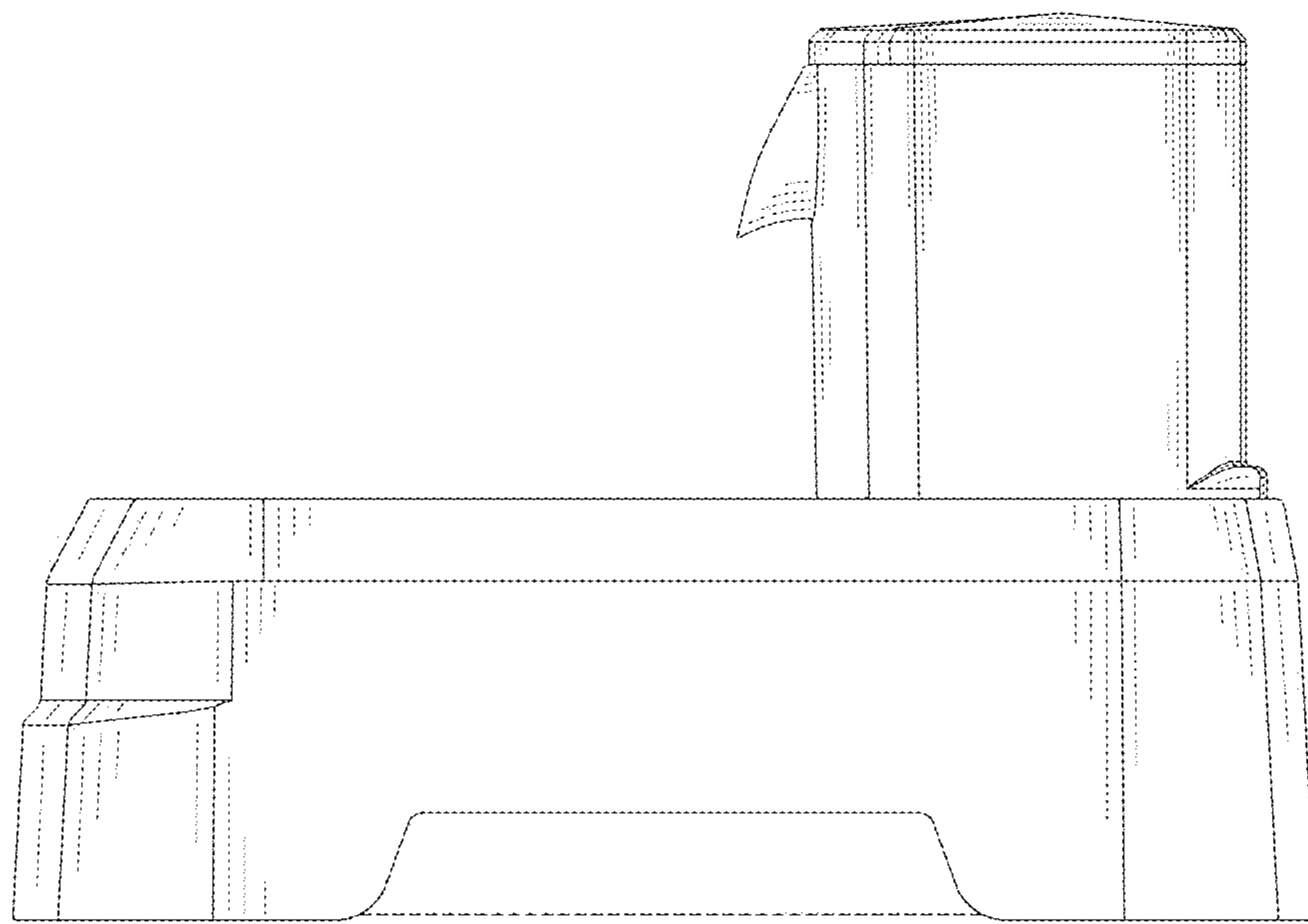


Fig.4

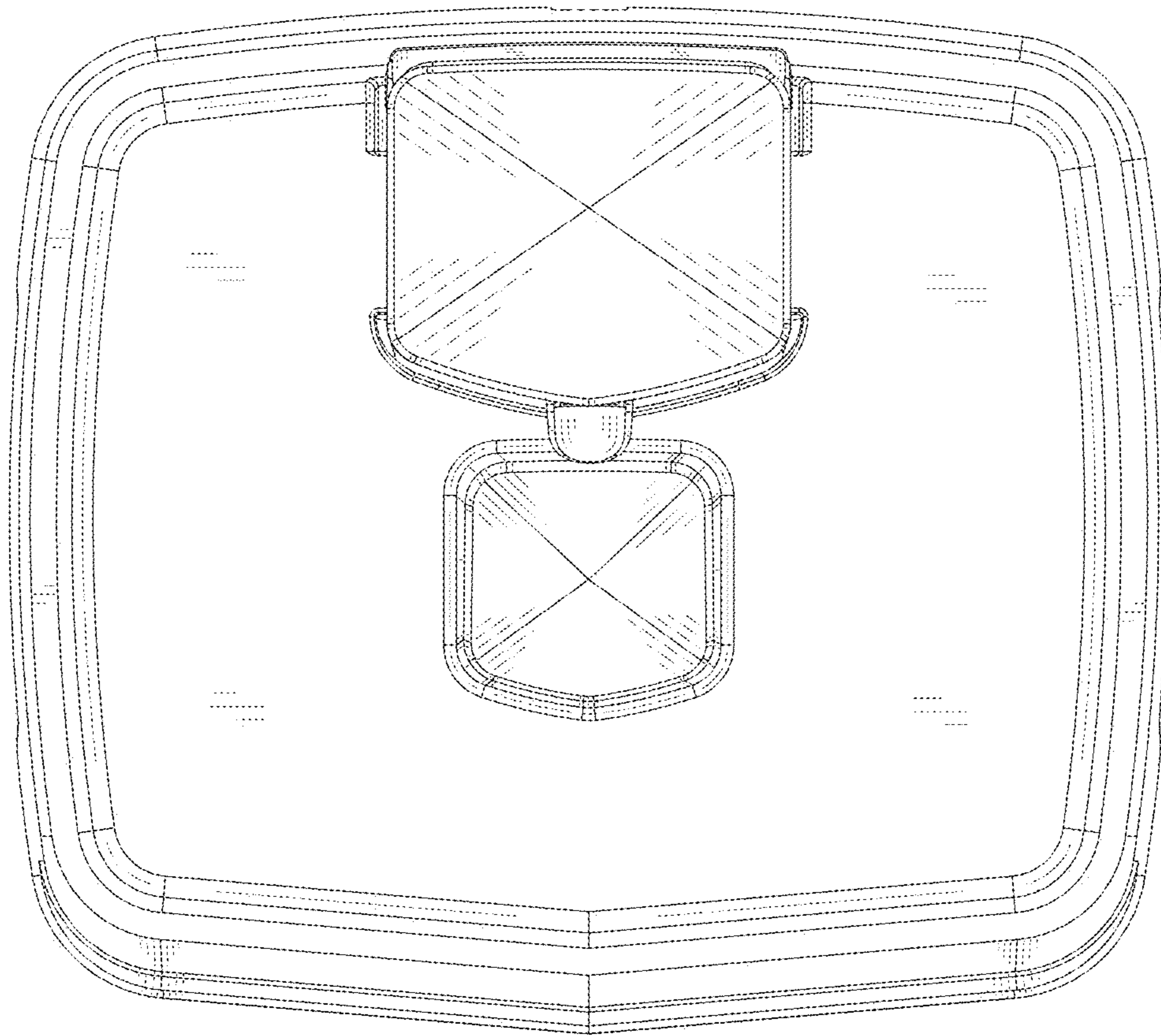


Fig.5

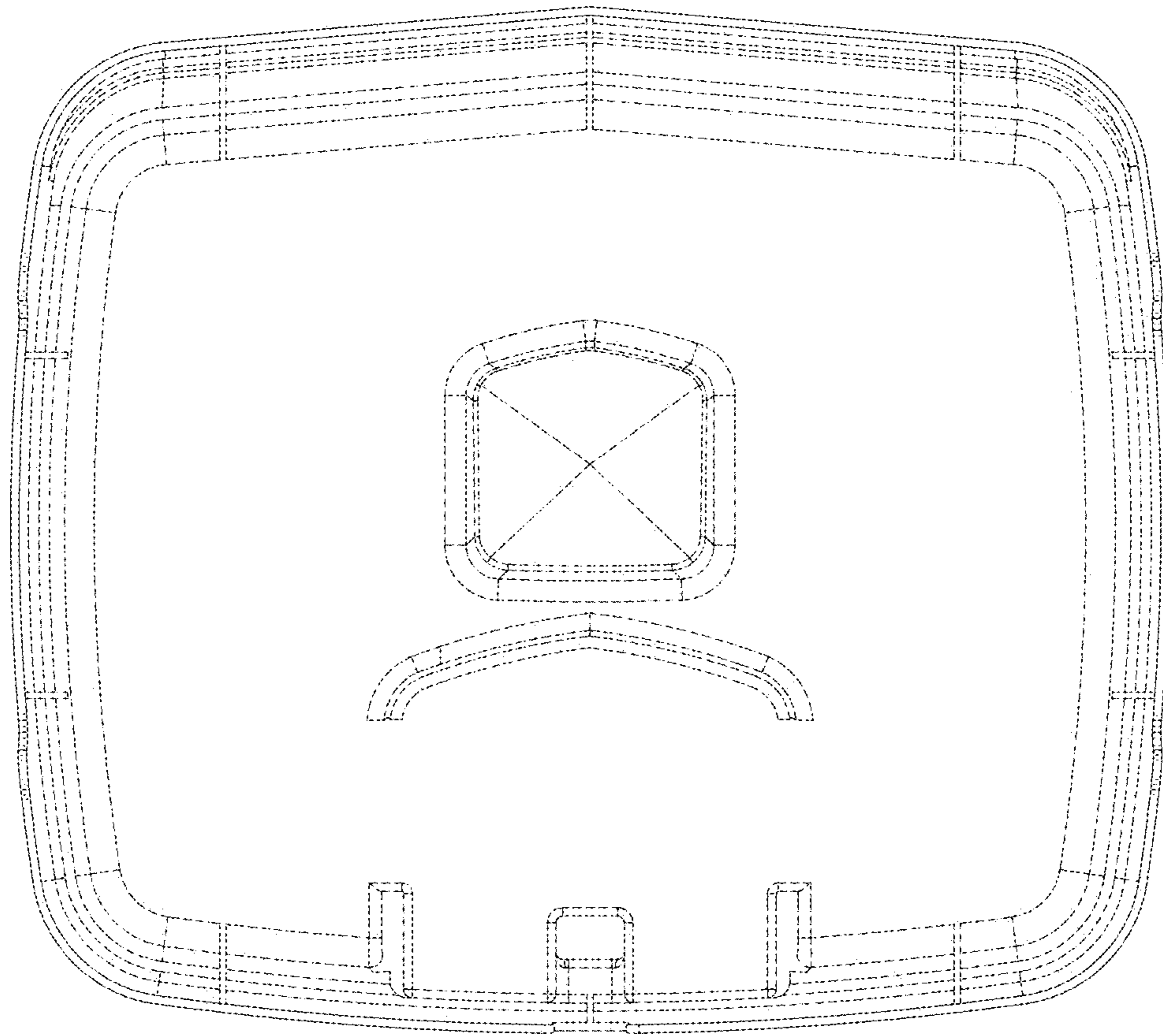


Fig.6

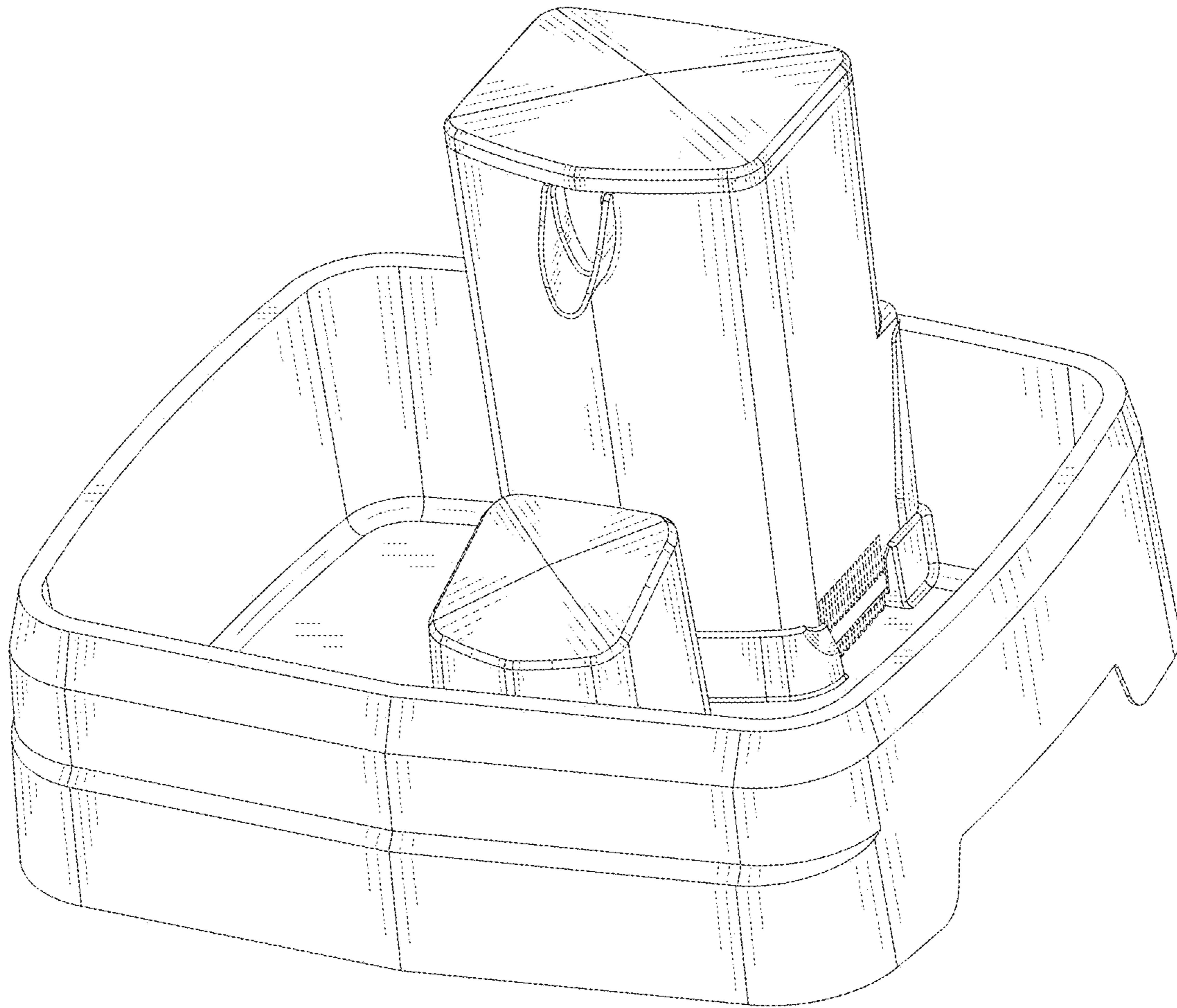


Fig.7



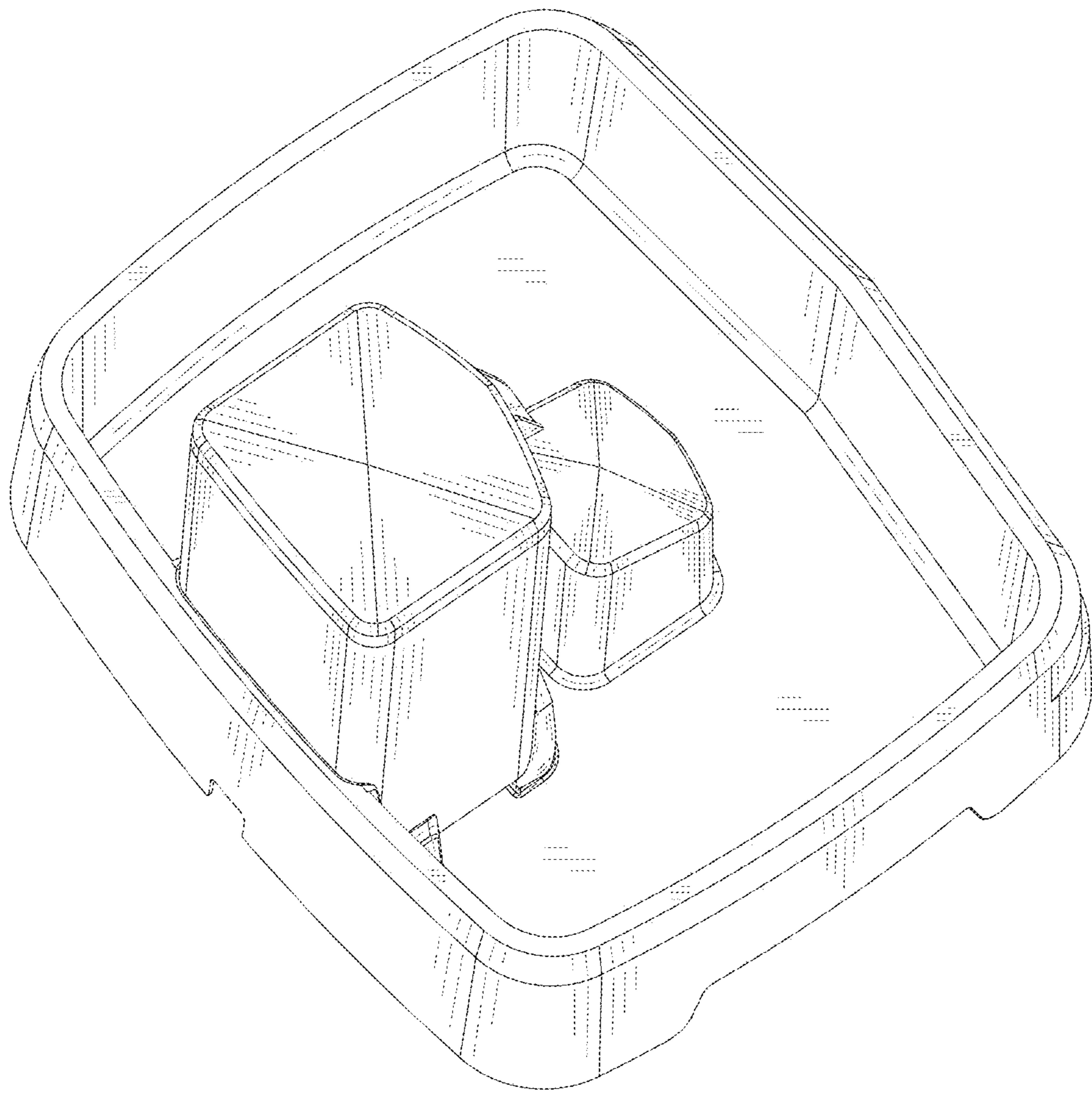


Fig.8