



US00D948133S

(12) **United States Design Patent**
Kurzman

(10) **Patent No.:** **US D948,133 S**

(45) **Date of Patent:** **** Apr. 5, 2022**

(54) **DOG BED**

(71) Applicant: **Copper and Todd LLC**, Glendale, AZ (US)

(72) Inventor: **Kelly Kurzman**, Scottsdale, AZ (US)

(73) Assignee: **Copper and Todd LLC**, Glendale, AZ (US)

(**) Term: **15 Years**

(21) Appl. No.: **29/724,679**

(22) Filed: **Feb. 18, 2020**

(51) **LOC (13) Cl.** **30-06**

(52) **U.S. Cl.**
USPC **D30/118**

(58) **Field of Classification Search**
USPC D30/118-119, 158, 160; D21/520;
D6/601, 349, 595-597, 604, 382
CPC A01K 1/00; A01K 1/0272; A01K 1/0353;
A01K 1/035

See application file for complete search history.

(56) **References Cited**

U.S. PATENT DOCUMENTS

- 5,010,843 A 4/1991 Henry
- 5,784,995 A * 7/1998 Willinger A01K 1/0353
119/28.5
- 6,305,318 B1 10/2001 Ford
- 7,000,276 B2 * 2/2006 Chaffee A47C 4/54
5/654
- D563,058 S * 2/2008 Lamstein D30/118
- 7,614,362 B2 11/2009 Dunn et al.
- 8,181,599 B1 5/2012 Jeffers
- 8,316,482 B1 * 11/2012 Martin, III A47C 29/00
5/95
- D703,877 S * 4/2014 Popkin D30/118
- D725,832 S * 3/2015 Coulter D30/118
- 9,427,487 B1 8/2016 Forbes
- D809,715 S * 2/2018 Song D30/118
- D818,652 S * 5/2018 Song D30/118
- D818,653 S * 5/2018 Song D30/118

- D822,910 S * 7/2018 Pelz D30/118
- D822,911 S * 7/2018 Menayan D30/118
- 2008/0302308 A1 12/2008 Supino
- 2013/0104806 A1 5/2013 Dennis
- 2013/0167779 A1 7/2013 Axelrod et al.

(Continued)

FOREIGN PATENT DOCUMENTS

DE 202016001089 U1 4/2016

OTHER PUBLICATIONS

Innovational Pet Products LLC, Mylap Pet Bed—MYLAP Pet Bed for Cats & Dogs, Retrieved from the Internet: <https://www.mylappetbed.pet/> [downloaded Feb. 6, 2019], Feb. 19, 2018, 8 pages.

(Continued)

Primary Examiner — Sheryl Lane
Assistant Examiner — Aula Soroush
(74) *Attorney, Agent, or Firm* — Adam R. Stephenson, Ltd

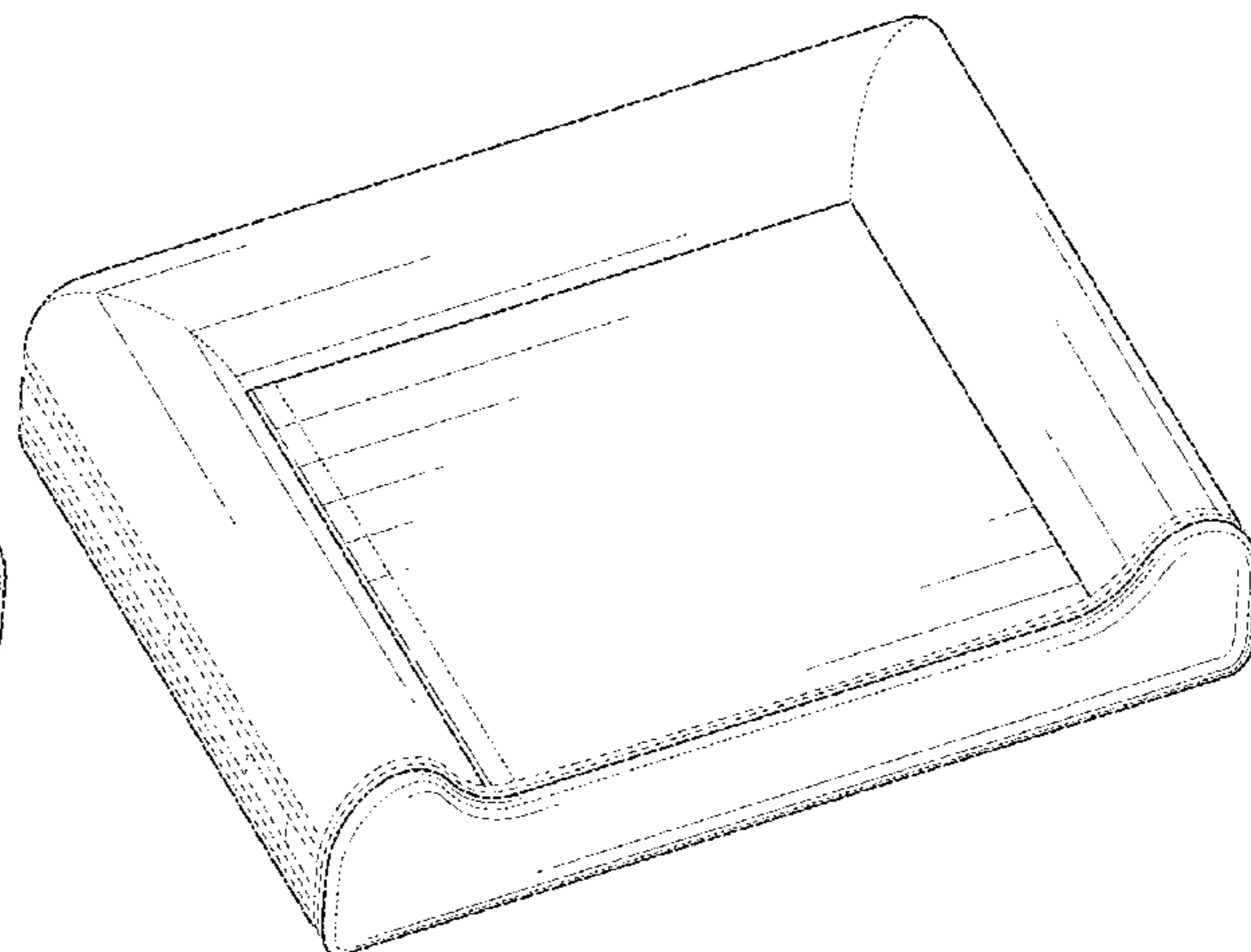
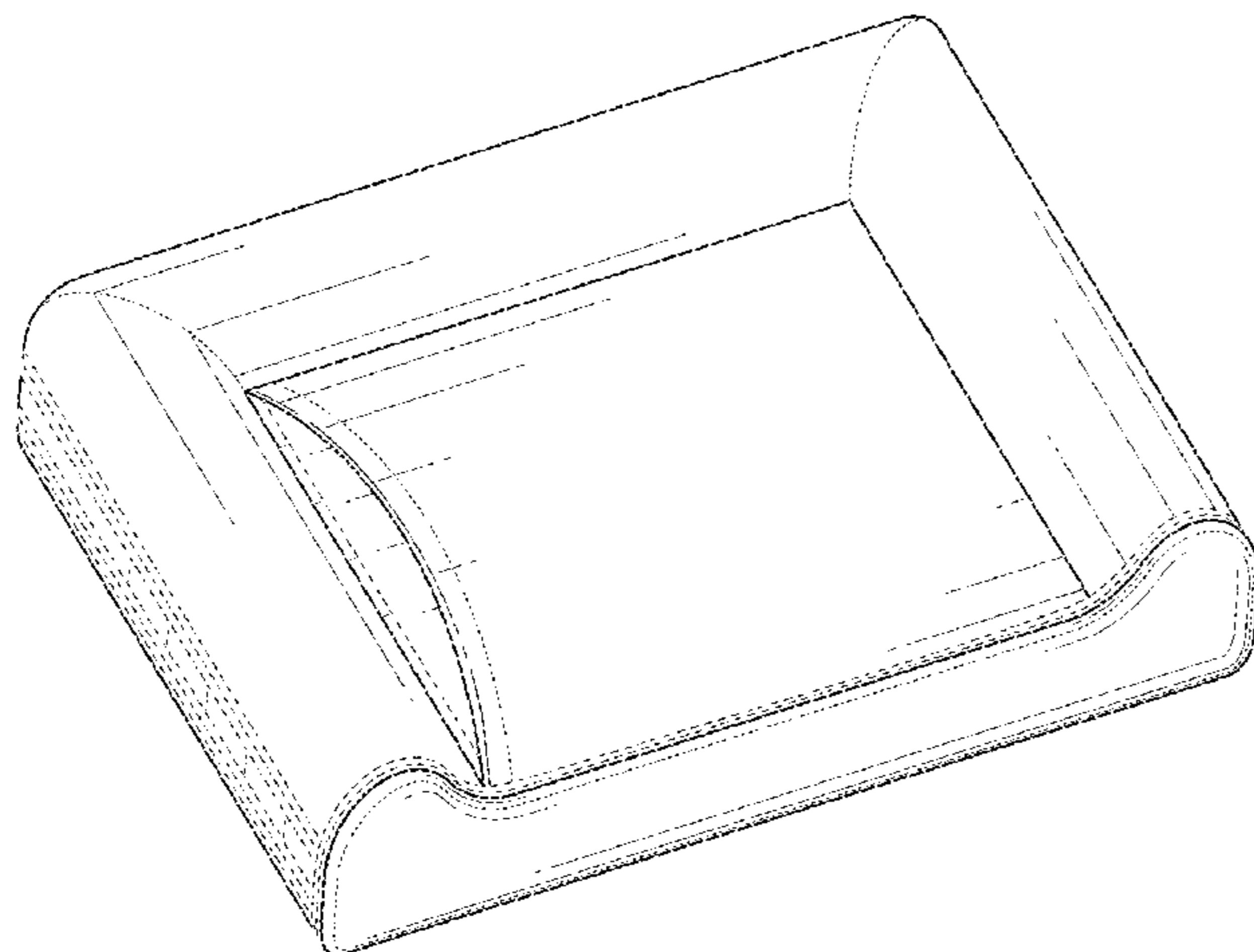
(57) **CLAIM**

The ornamental design for a dog bed, as shown and described.

DESCRIPTION

FIG. 1 is a front perspective view of a dog bed in an open configuration showing my new design; FIG. 2 is a front view thereof; FIG. 3 is rear view thereof; FIG. 4 is a right side view thereof; FIG. 5 is a left side view thereof; FIG. 6 is a top view thereof; and, FIG. 7 is a top, front perspective view thereof having the pocket in a closed configuration. The broken lines in the drawings illustrate portions of the dog bed that form no part of the claimed design.

1 Claim, 5 Drawing Sheets



(56)

References Cited

U.S. PATENT DOCUMENTS

2014/0165923 A1 6/2014 Diamond
2014/0199507 A1 7/2014 Moran
2014/0230735 A1* 8/2014 Coulter A01K 1/0353
119/28.5
2015/0090190 A1 4/2015 Diskin
2017/0258036 A1* 9/2017 Galloway A01K 1/0353
2018/0153134 A1 6/2018 Hedley
2018/0352784 A1 12/2018 Theno

OTHER PUBLICATIONS

IHeartdogs, When You're Away Comfort Cuddler™, Retrieved from the Internet: <https://iheartdogs.com/product/comfort-cuddler-leave-your-scent-with-your-dog-when-youre-not-home/> [downloaded Feb. 6, 2019], Jul. 21, 2017, 6 pages.

Molly Mutt-The Grommet, Dog Bed Duvet & Stuff Sack, Retrieved from the Internet: <https://www.thegrommet.com/molly-mutt> [downloaded Feb. 7, 2019], May 12, 2017, 2 pages.

Enrych, Separation Anxiety Relief Dog Bed, Retrieved from the Internet: <https://www.amazon.com/Enrych-Separation-Anxiety-Relief-Dog/dp/B00B7U0J90> [downloaded Feb. 6, 2019], Jun. 11, 2013, 8 pages.

* cited by examiner

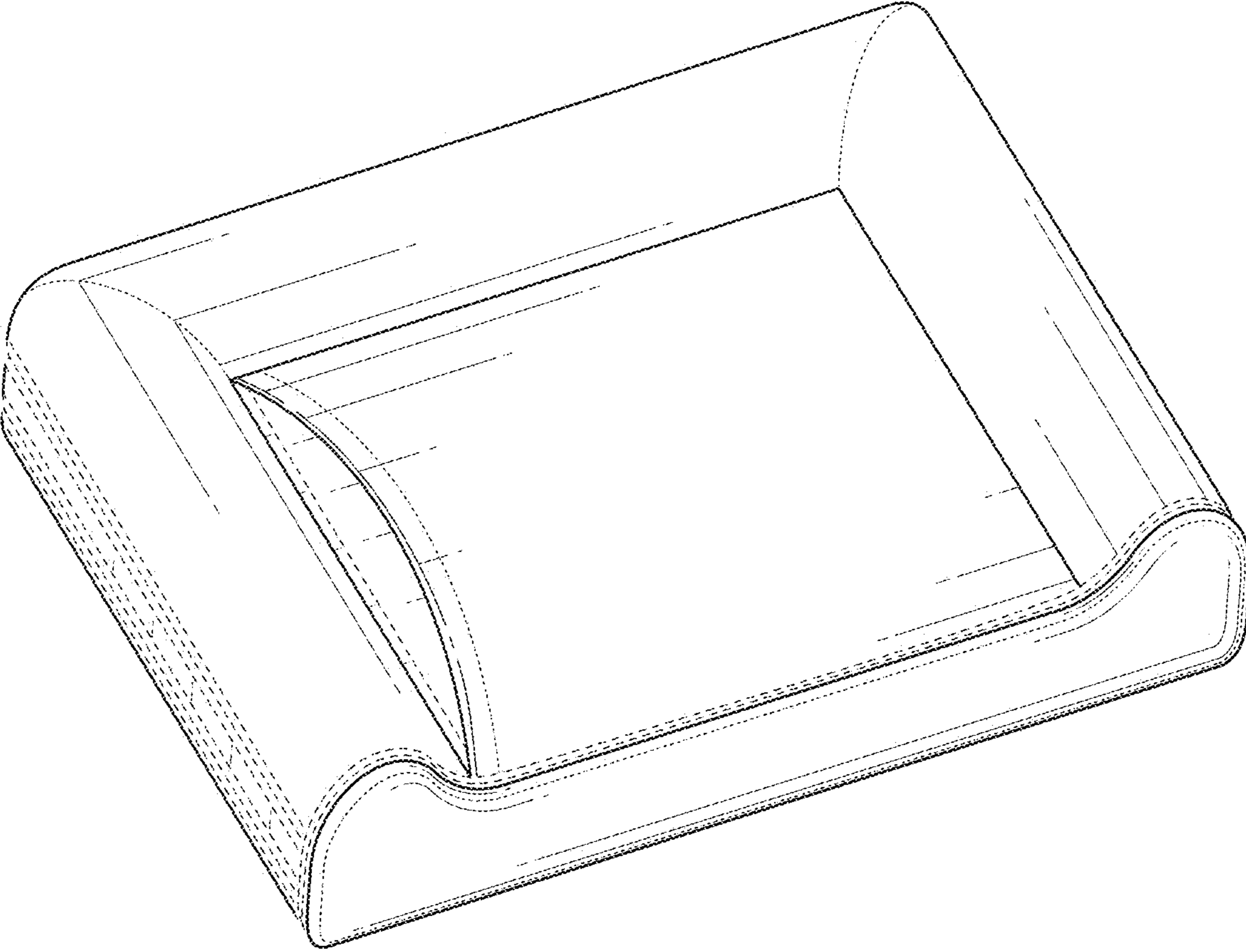


FIG. 1

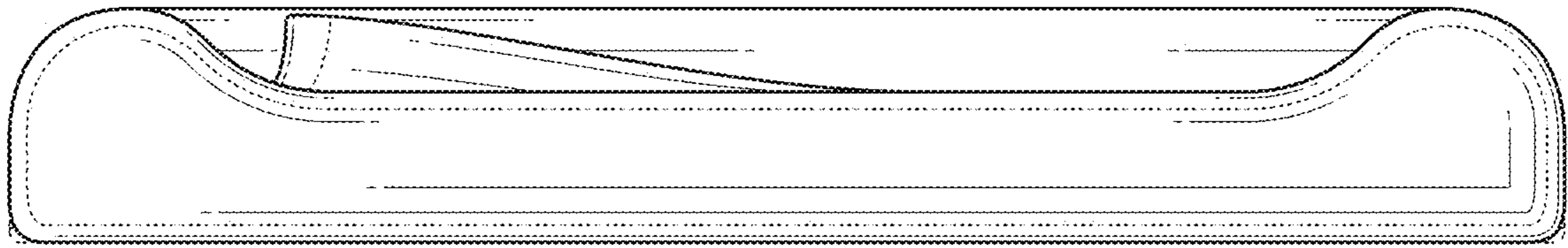


FIG. 2

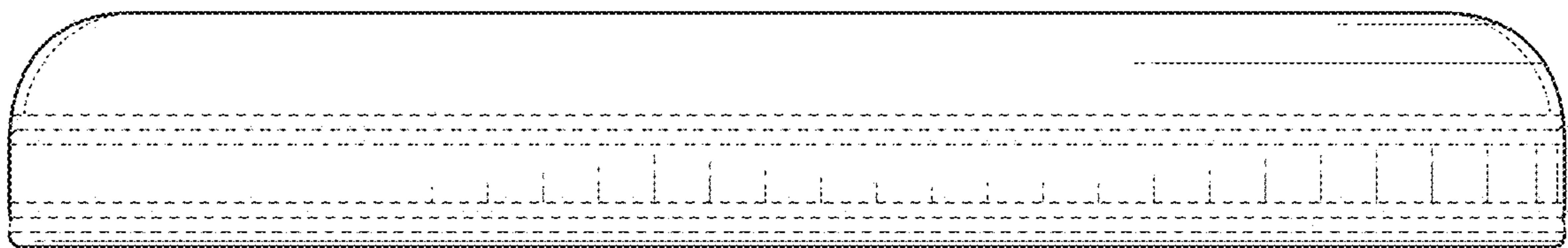


FIG. 3

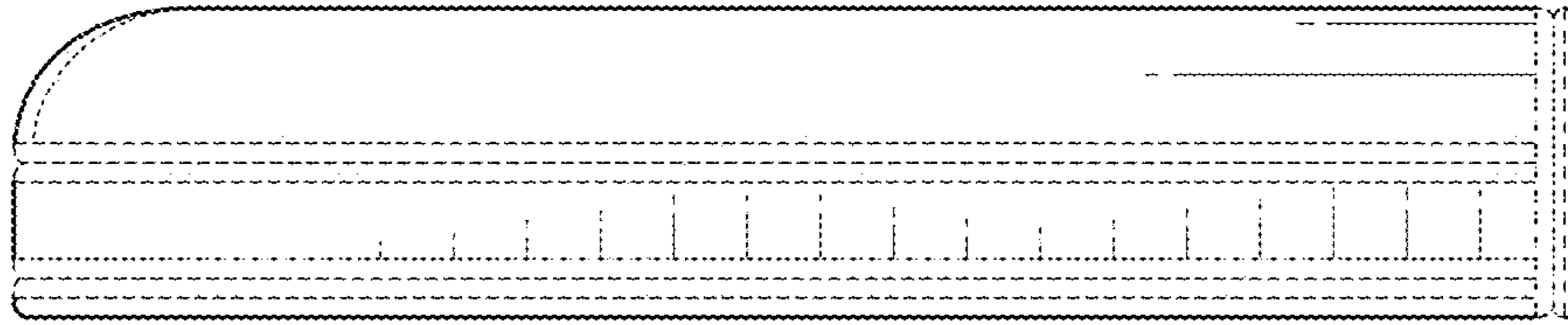


FIG. 4

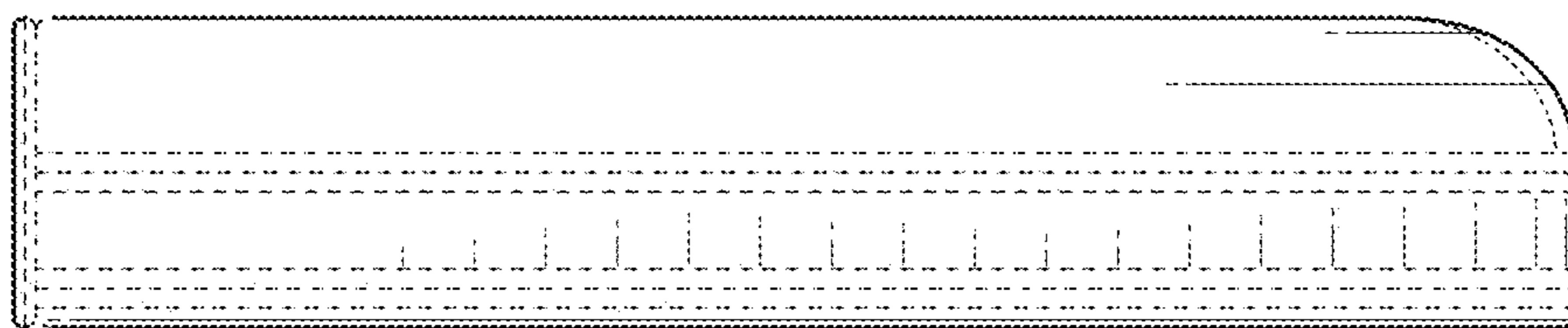


FIG. 5

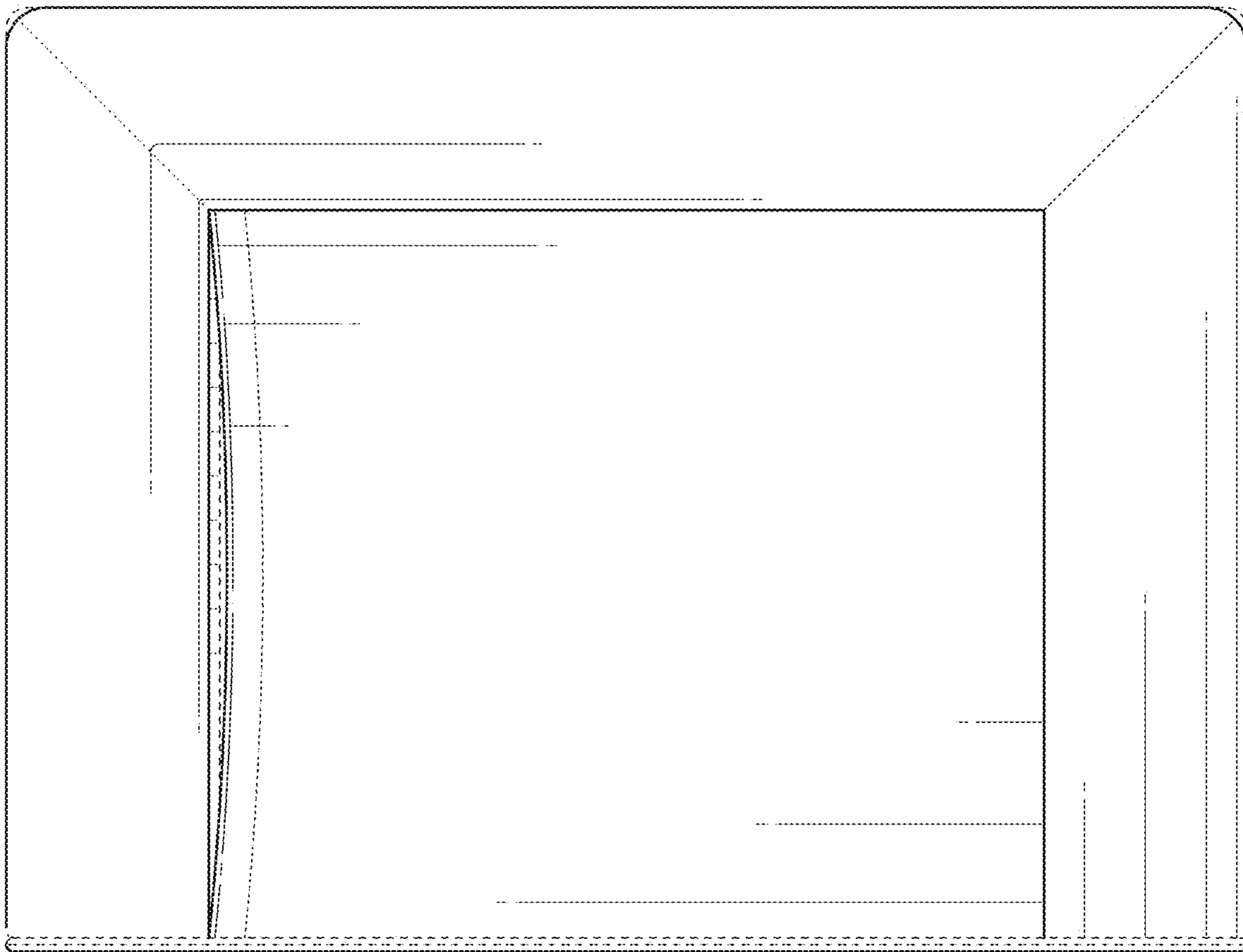


FIG. 6

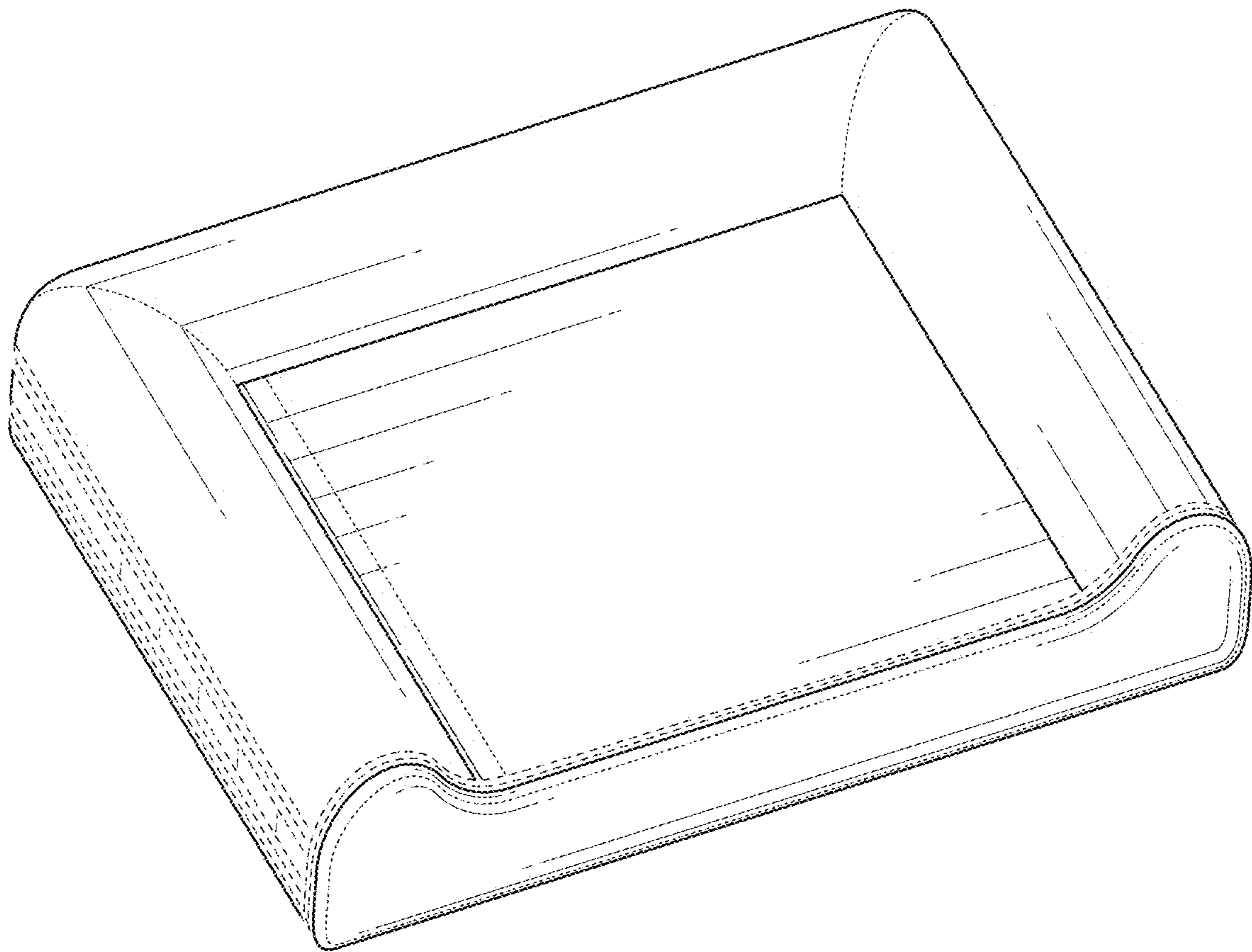


FIG. 7