



US00D948132S

(12) **United States Design Patent**
Yu

(10) **Patent No.:** **US D948,132 S**

(45) **Date of Patent:** **** Apr. 5, 2022**

(54) **PET FURNITURE PLATFORM**

(71) Applicant: **Cong Yu**, Shanghai (CN)

(72) Inventor: **Cong Yu**, Shanghai (CN)

(**) Term: **15 Years**

(21) Appl. No.: **29/714,841**

(22) Filed: **Nov. 26, 2019**

(51) **LOC (13) Cl.** **30-06**

(52) **U.S. Cl.**
USPC **D30/118**

(58) **Field of Classification Search**
USPC D30/108-120, 158-161; D21/520;
D6/601, 349, 595-597, 604, 382
CPC A01K 1/00; A01K 1/0272; A01K 1/0353;
A01K 1/035
See application file for complete search history.

D666,266 S * 8/2012 Publicover D21/797
D695,557 S * 12/2013 Carretta D6/708
D723,850 S * 3/2015 Mueller D6/709
D736,479 S * 8/2015 Robinson D30/118
D763,609 S * 8/2016 Copier D6/709
D809,216 S * 1/2018 French D30/118
D845,012 S * 4/2019 Thomas D6/349
D884,103 S * 5/2020 Hammer D21/797

* cited by examiner

Primary Examiner — Sheryl Lane

Assistant Examiner — Aula Soroush

(74) *Attorney, Agent, or Firm* — The Law Office of
Michael E. Kondoudis

(57) **CLAIM**

The ornamental design for a pet furniture platform, as shown and described.

(56) **References Cited**

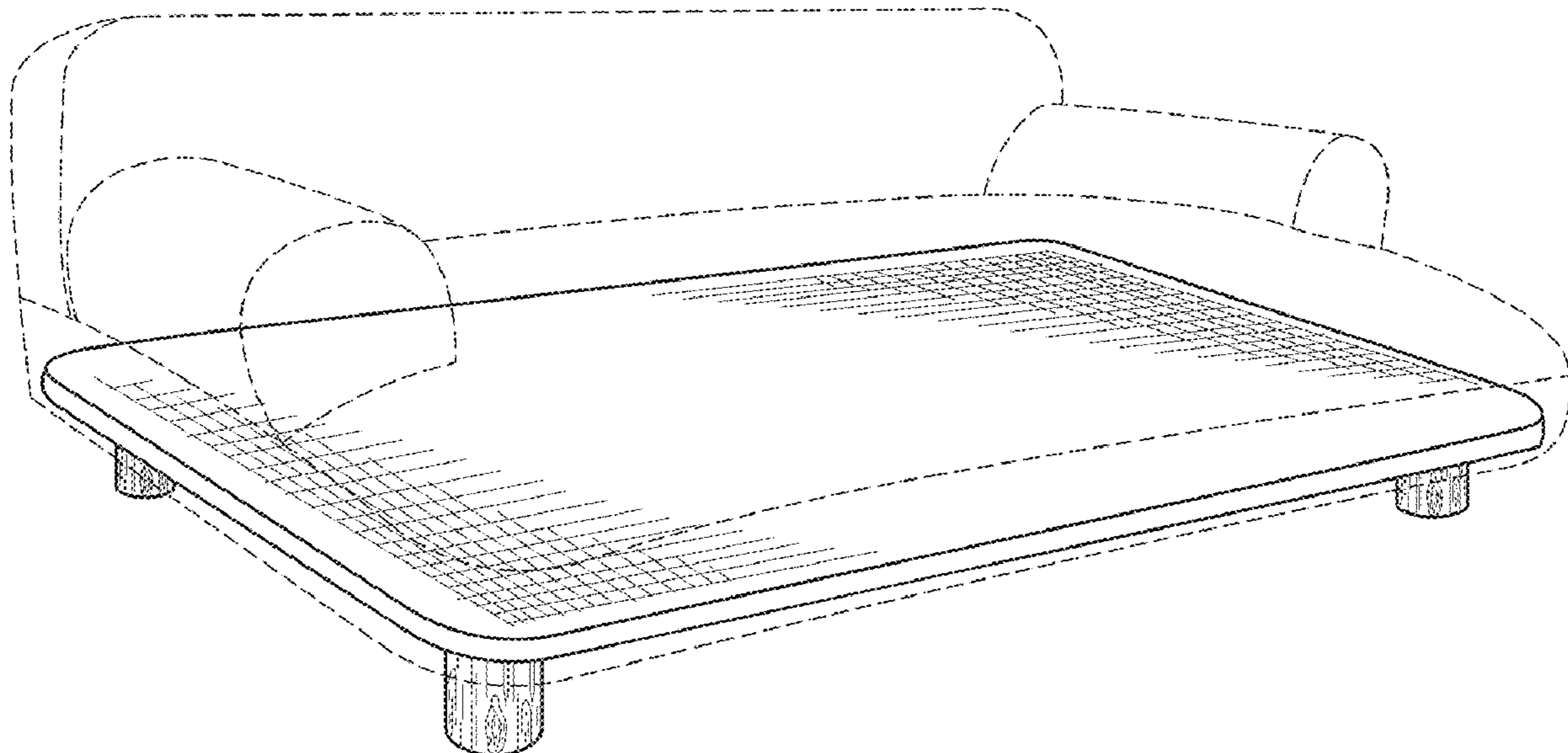
U.S. PATENT DOCUMENTS

1,820,284 A * 8/1931 Mills A01K 1/0353
119/28.5
1,820,285 A * 8/1931 Mills A47C 19/12
5/187
2,646,577 A * 7/1953 Thayer A47C 17/68
5/114
2,871,489 A * 2/1959 Emmert A47C 17/70
5/114
D379,682 S * 6/1997 Rafaat D21/797
D465,620 S * 11/2002 Stepp 119/28.5
D505,810 S * 6/2005 Henriott D6/691
D626,767 S * 11/2010 Lucci D6/708

DESCRIPTION

FIG. 1 is a front view of a pet furniture platform showing my new design;
FIG. 2 is a back view thereof;
FIG. 3 is a top plan view thereof;
FIG. 4 is a bottom plan view thereof;
FIG. 5 is a right side view thereof;
FIG. 6 is a left side view thereof; and,
FIG. 7 is a perspective view thereof.
The broken lines in the drawings illustrate environmental structure that form no part of the claimed design.

1 Claim, 7 Drawing Sheets



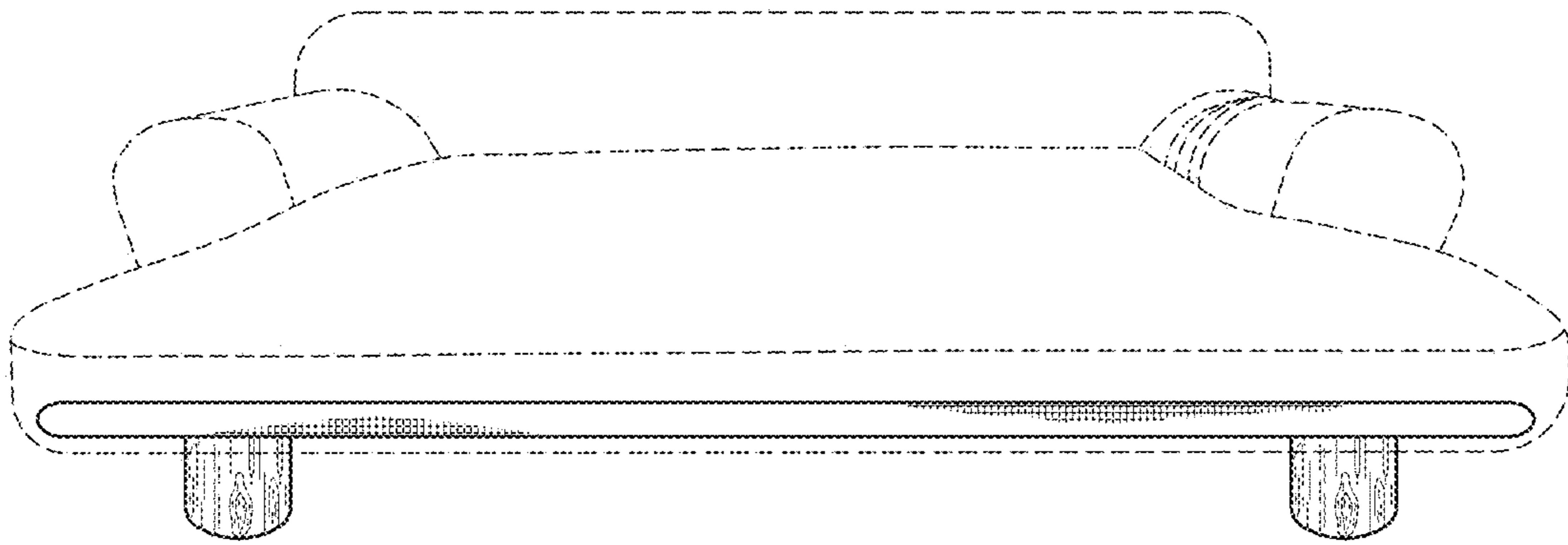


FIG. 1

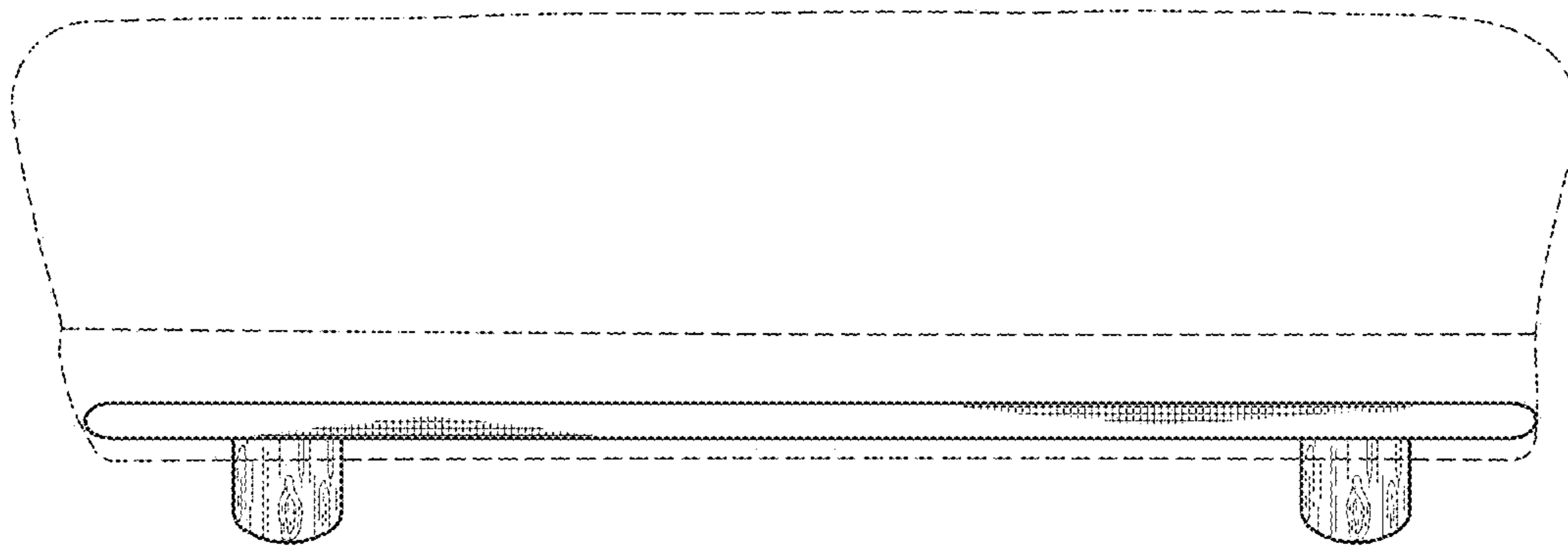


FIG. 2

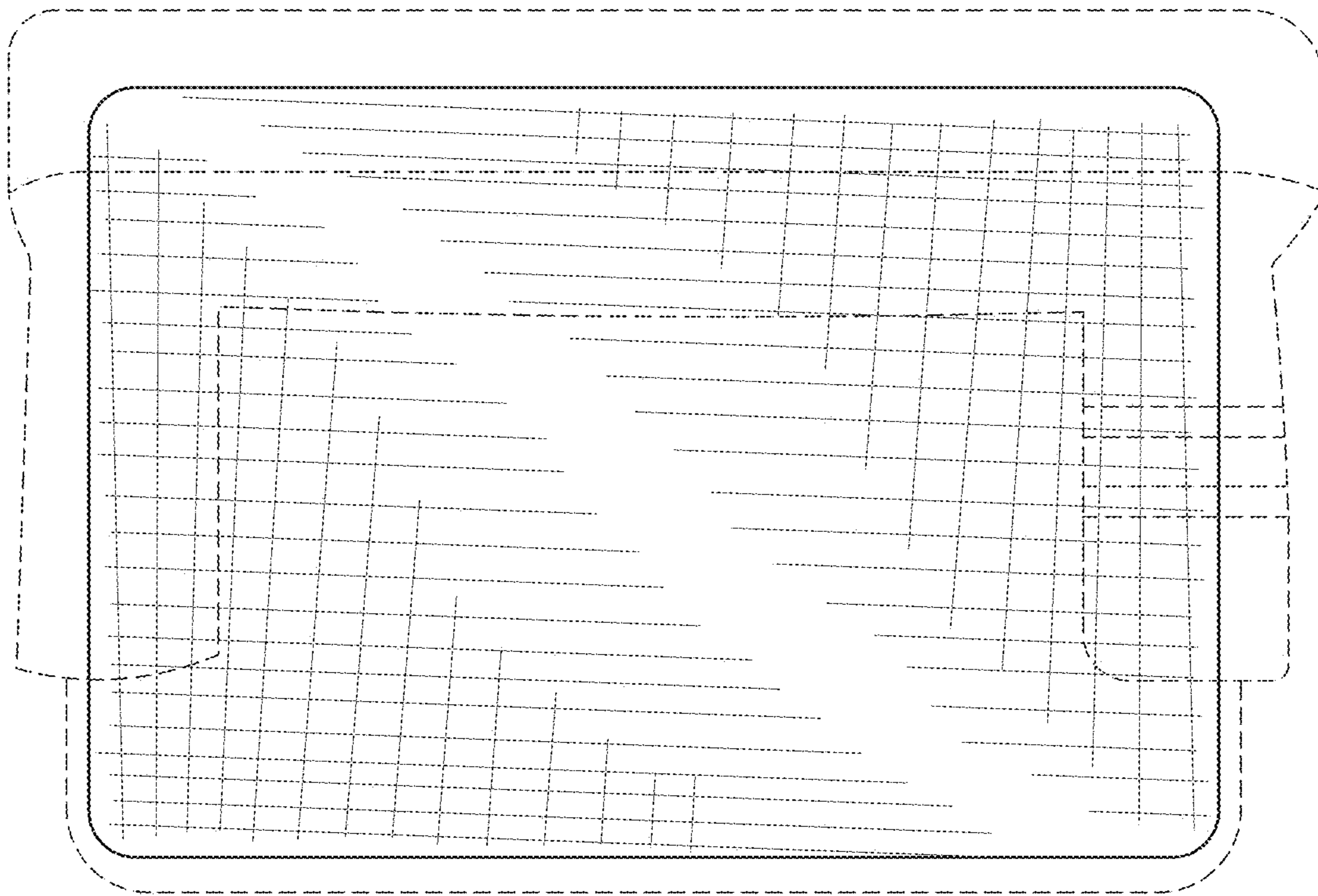


FIG. 3

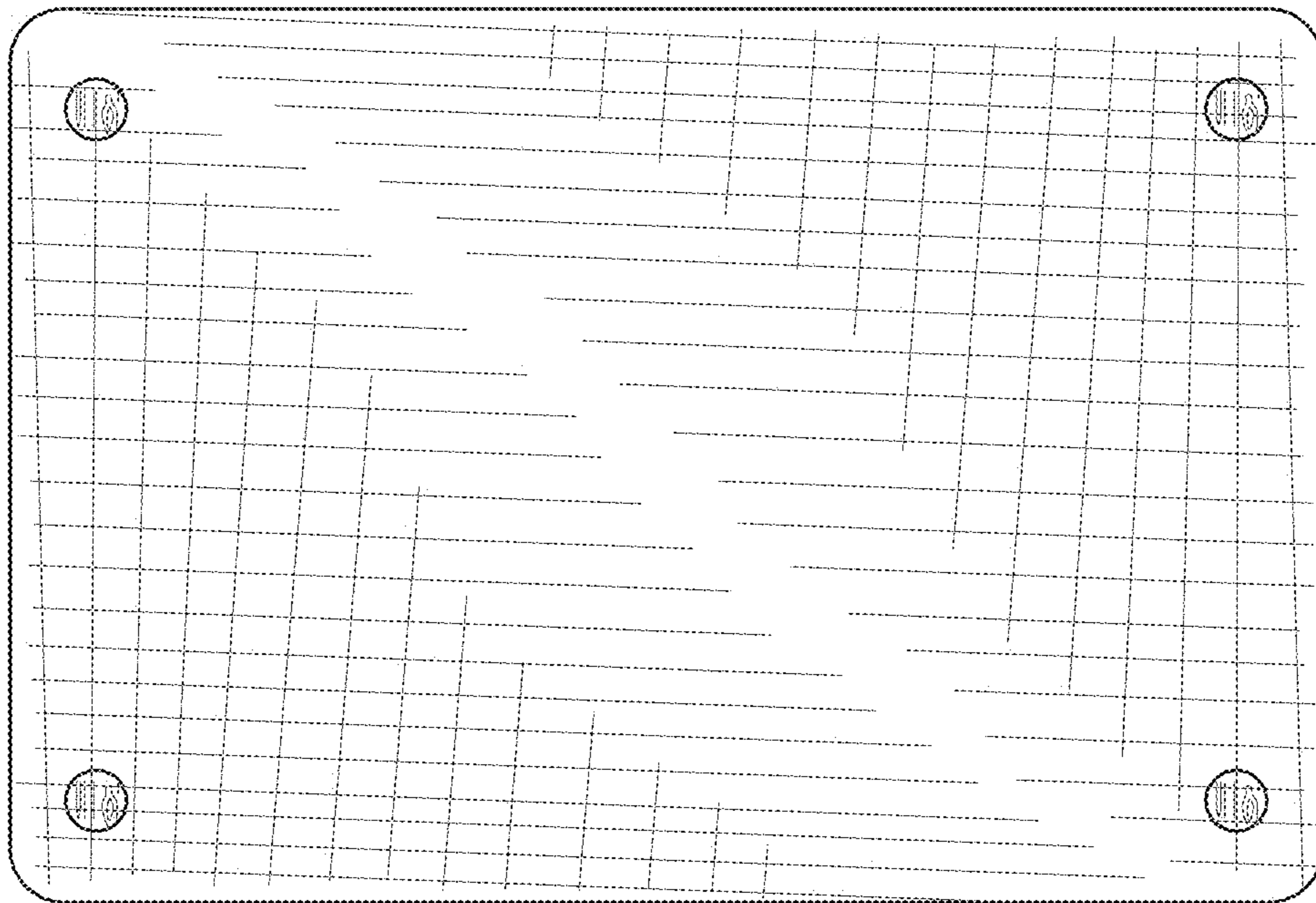


FIG. 4

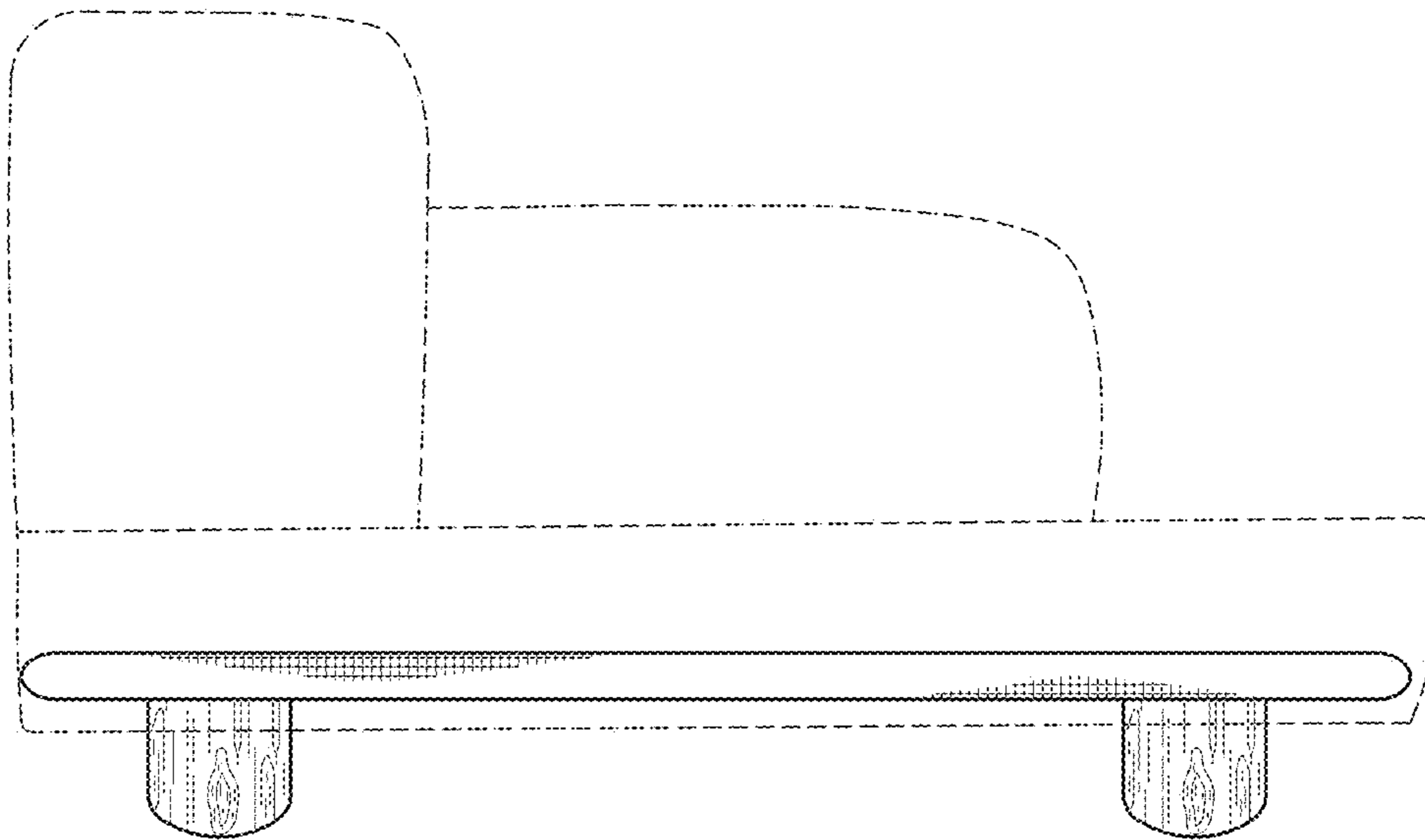


FIG. 5

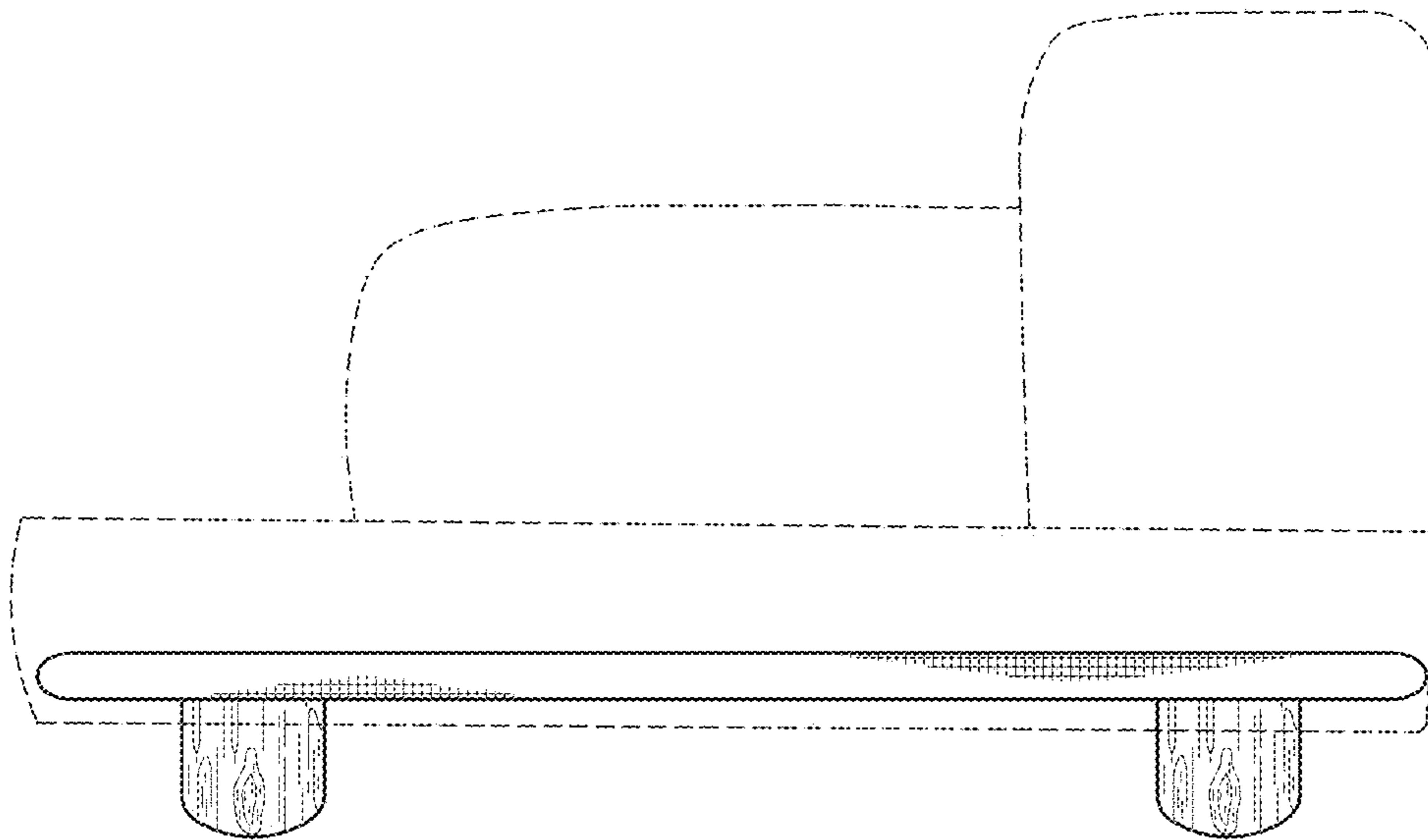


FIG. 6

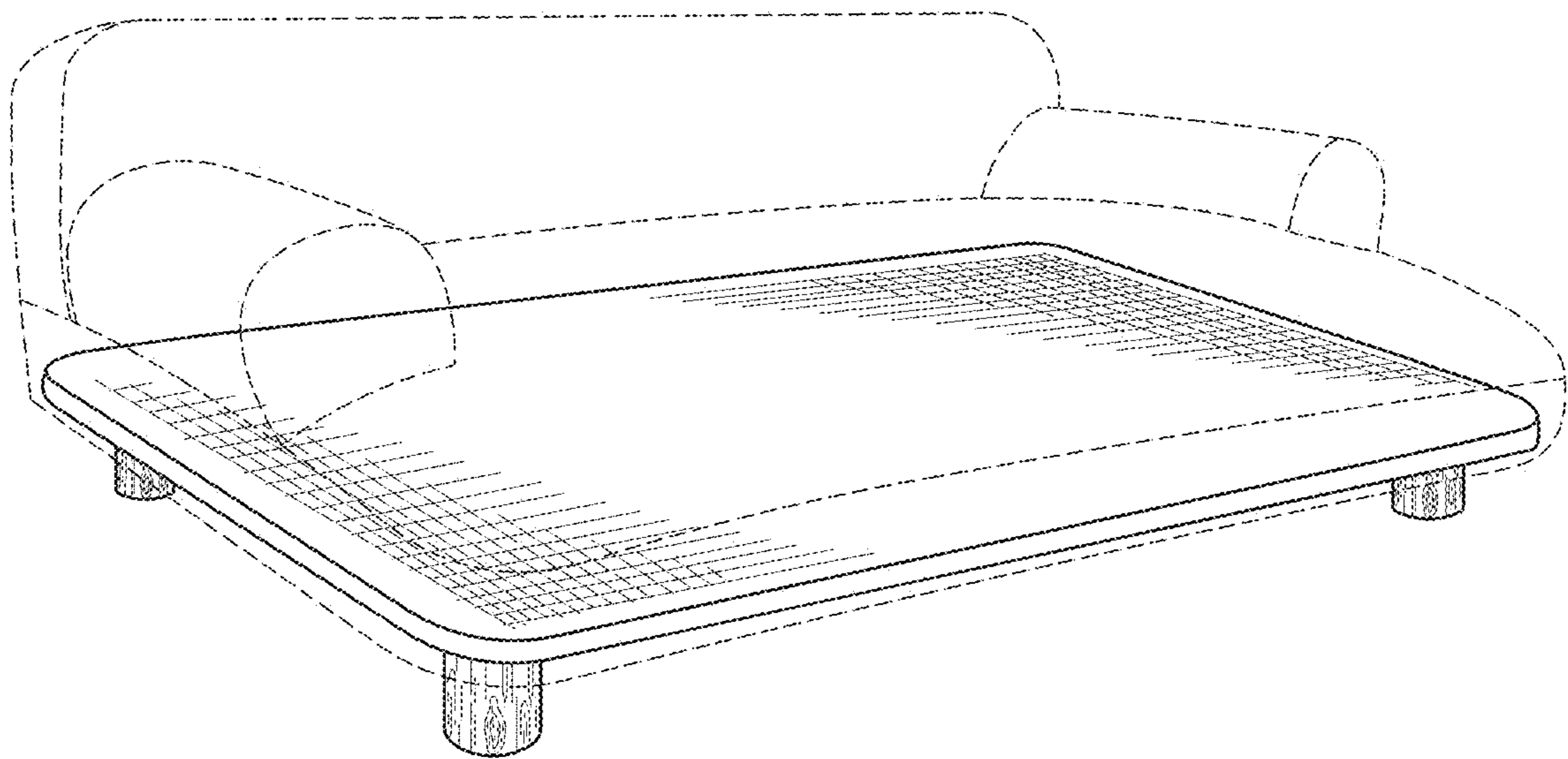


FIG. 7