



US00D948129S

(12) **United States Design Patent**  
**Koutris**

(10) **Patent No.:** **US D948,129 S**

(45) **Date of Patent:** **\*\* Apr. 5, 2022**

(54) **HARNESS**

(71) Applicant: **Evangelos Koutris**, Rotterdam (NL)

(72) Inventor: **Evangelos Koutris**, Rotterdam (NL)

(\*\*) Term: **15 Years**

(21) Appl. No.: **29/669,909**

(22) Filed: **Nov. 12, 2018**

(51) **LOC (13) Cl.** ..... **29-02**

(52) **U.S. Cl.**

USPC ..... **D29/101.4**; D29/101.5

(58) **Field of Classification Search**

USPC ..... D30/144, 145, 151, 152; D29/101.1,  
D29/101.3, 101.4, 101.5; D24/190

CPC ..... B65G 7/12; A01K 27/002

See application file for complete search history.

(56) **References Cited**

**U.S. PATENT DOCUMENTS**

4,641,642	A	2/1987	Williams, Jr.	
D342,108	S *	12/1993	Leibowitz	D21/683
D355,748	S *	2/1995	Dancyger	D29/101.5
D387,499	S *	12/1997	Schmidt	D29/101.1
6,516,804	B1	2/2003	Hoffman	
D501,582	S *	2/2005	Yang	D29/101.3
D526,776	S *	8/2006	Riley	D3/215
D631,611	S *	1/2011	Sattler	D29/101.4
D656,682	S *	3/2012	Bruehler	D29/101.5
D668,393	S *	10/2012	Hogbin	D29/101.1
D776,880	S *	1/2017	Nilsson	D29/101.1
9,642,444	B2 *	5/2017	Krol	A45F 3/14

(Continued)

**FOREIGN PATENT DOCUMENTS**

EP	2863848	A1	4/2015
WO	2004049841	A2	6/2004

**OTHER PUBLICATIONS**

“Tuvizo Hi Vis Vest—Reflective Gear”. Found online May 26, 2021 at amazon.co.uk. Reference dated Mar. 26, 2014. Retrieved from

[https://www.amazon.co.uk/Tuvizo-Reflective-High-Adults-Yellow/dp/B00LW48D8E/ref=psdc\\_671729011\\_t2\\_B07DPLSJLS?th=1.\\*](https://www.amazon.co.uk/Tuvizo-Reflective-High-Adults-Yellow/dp/B00LW48D8E/ref=psdc_671729011_t2_B07DPLSJLS?th=1.*)

(Continued)

*Primary Examiner* — Kendra Leslie Hamilton

(74) *Attorney, Agent, or Firm* — Collard & Roe, P.C.

(57) **CLAIM**

The ornamental design for a harness, as shown and described.

**DESCRIPTION**

FIG. 1 is a top, front perspective view of the first embodiment of a harness, shown fastened and in a first configuration;

FIG. 2 is a front elevation view of the harness of FIG. 1, shown unfastened and flattened in a second configuration;

FIG. 3 is a rear elevation view thereof;

FIG. 4 is a top plan view of the harness of FIG. 1, shown in the first configuration;

FIG. 5 is a bottom plan view thereof;

FIG. 6 is a front elevation view thereof;

FIG. 7 is a rear elevation view thereof;

FIG. 8 is a right side elevation view thereof; and

FIG. 9 is a left side elevation view thereof.

FIG. 10 is a top, front perspective view of the second embodiment of a harness, shown in the first configuration;

FIG. 11 is a front elevation view of the harness of FIG. 10, shown in the second configuration;

FIG. 12 is a rear elevation view thereof;

FIG. 13 is a top plan view of the harness of FIG. 10, shown in the first configuration;

FIG. 14 is a bottom plan view thereof;

FIG. 15 is front elevation view thereof;

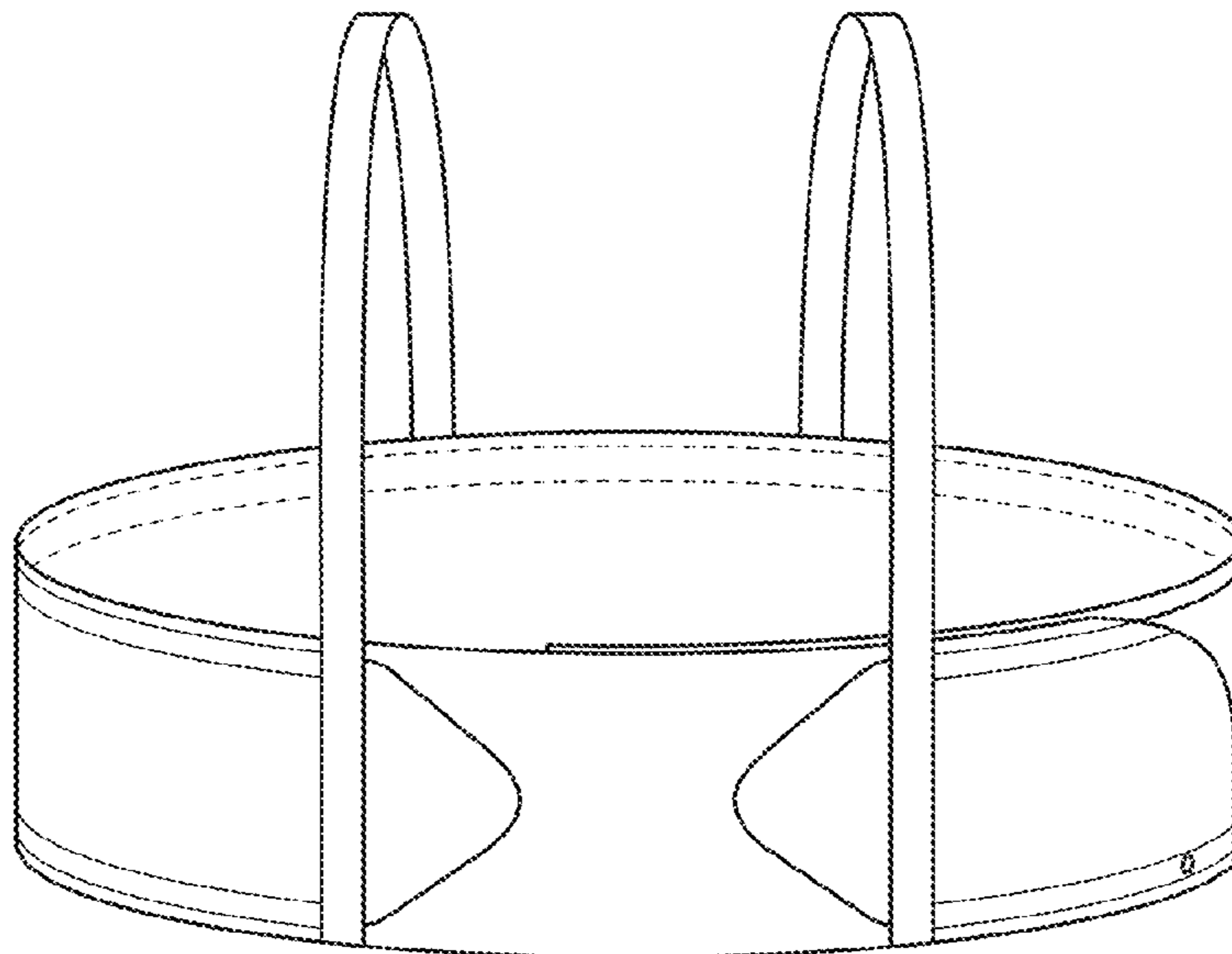
FIG. 16 is a rear elevation view thereof;

FIG. 17 is a right side elevation view thereof; and,

FIG. 18 is a left side elevation view thereof.

In the drawings, the broken lines on the harness depict elements that form no part of the claimed design

**1 Claim, 18 Drawing Sheets**



(56)

**References Cited**

U.S. PATENT DOCUMENTS

D818,132 S \* 5/2018 Hille ..... D24/190  
2001/0034498 A1 10/2001 Heyman et al.  
2003/0052144 A1\* 3/2003 Vardi ..... A45F 3/14  
224/258  
2018/0009408 A1\* 1/2018 Brodie ..... A62B 35/0006

OTHER PUBLICATIONS

“Yundxi: Fall Protection Safety Harness Kit”. Found online May 26, 2021 at amazon.co.uk. Reference dated Jul. 18, 2018. Retrieved from [https://www.amazon.co.uk/Outdoor-Climbing-Harness-Professional-Safety/dp/B07F2BF8LR/ref=sr\\_1\\_28?](https://www.amazon.co.uk/Outdoor-Climbing-Harness-Professional-Safety/dp/B07F2BF8LR/ref=sr_1_28?)\*  
“Clippasafe: Easy Wash Harness and Reins”. Found online May 26, 2021 at amazon.co.uk. Reference dated Sep. 19, 2011. Retrieved from [https://www.amazon.co.uk/Clippasafe-Easy-Harness-Reins-Black/dp/B005O98LXA/ref=pd\\_sbs\\_30/260-6551561-0752339?](https://www.amazon.co.uk/Clippasafe-Easy-Harness-Reins-Black/dp/B005O98LXA/ref=pd_sbs_30/260-6551561-0752339?)\*

“Workwear World: 2-Point Protection Harness”. Found online May 26, 2021 at amazon.co.uk. Reference dated Dec. 17, 2014. Retrieved from [https://www.amazon.co.uk/Workwear-World-Safety-Protection-Harness/dp/B00R4QPLWU/ref=pd\\_vtp\\_5/260-6551561-0752339?](https://www.amazon.co.uk/Workwear-World-Safety-Protection-Harness/dp/B00R4QPLWU/ref=pd_vtp_5/260-6551561-0752339?)\*

Tuvizo Hi Vis Vest~Reflective Gear [https://www.amazon.co.uk/Tuvizo-Reflective-High-Adults-Yellow/dp/B00LW48D8E/ref=psdc\\_671729011\\_t2\\_B07DPLSJLS?th=1](https://www.amazon.co.uk/Tuvizo-Reflective-High-Adults-Yellow/dp/B00LW48D8E/ref=psdc_671729011_t2_B07DPLSJLS?th=1) Mar. 26, 2014.

Workwear World: 2-Point Protection Harness [https://www.amazon.co.uk/Workwear-World-Safety-Protection-Harness/dp/B00R4QPLWU/ref=pd\\_vtp\\_5/260-6551561-0752339?](https://www.amazon.co.uk/Workwear-World-Safety-Protection-Harness/dp/B00R4QPLWU/ref=pd_vtp_5/260-6551561-0752339?) Dec. 17, 2014.

Clippasafe Easy Wash Harness and Reins [https://www.amazon.co.uk/Clippasafe-Easy-Harness-Reins-Black/dp/B005098LXA/ref=pd\\_sbs\\_30/260-6551561-0752339?](https://www.amazon.co.uk/Clippasafe-Easy-Harness-Reins-Black/dp/B005098LXA/ref=pd_sbs_30/260-6551561-0752339?) Sep. 19, 2011.

Fall Protection Safety Harness Kit, [https://www.amazon.co.uk/Outdoor-Climbing-Harness-Professional-Safety/dp/B07F2BF8LR/ref=sr\\_1\\_28?](https://www.amazon.co.uk/Outdoor-Climbing-Harness-Professional-Safety/dp/B07F2BF8LR/ref=sr_1_28?).

\* cited by examiner

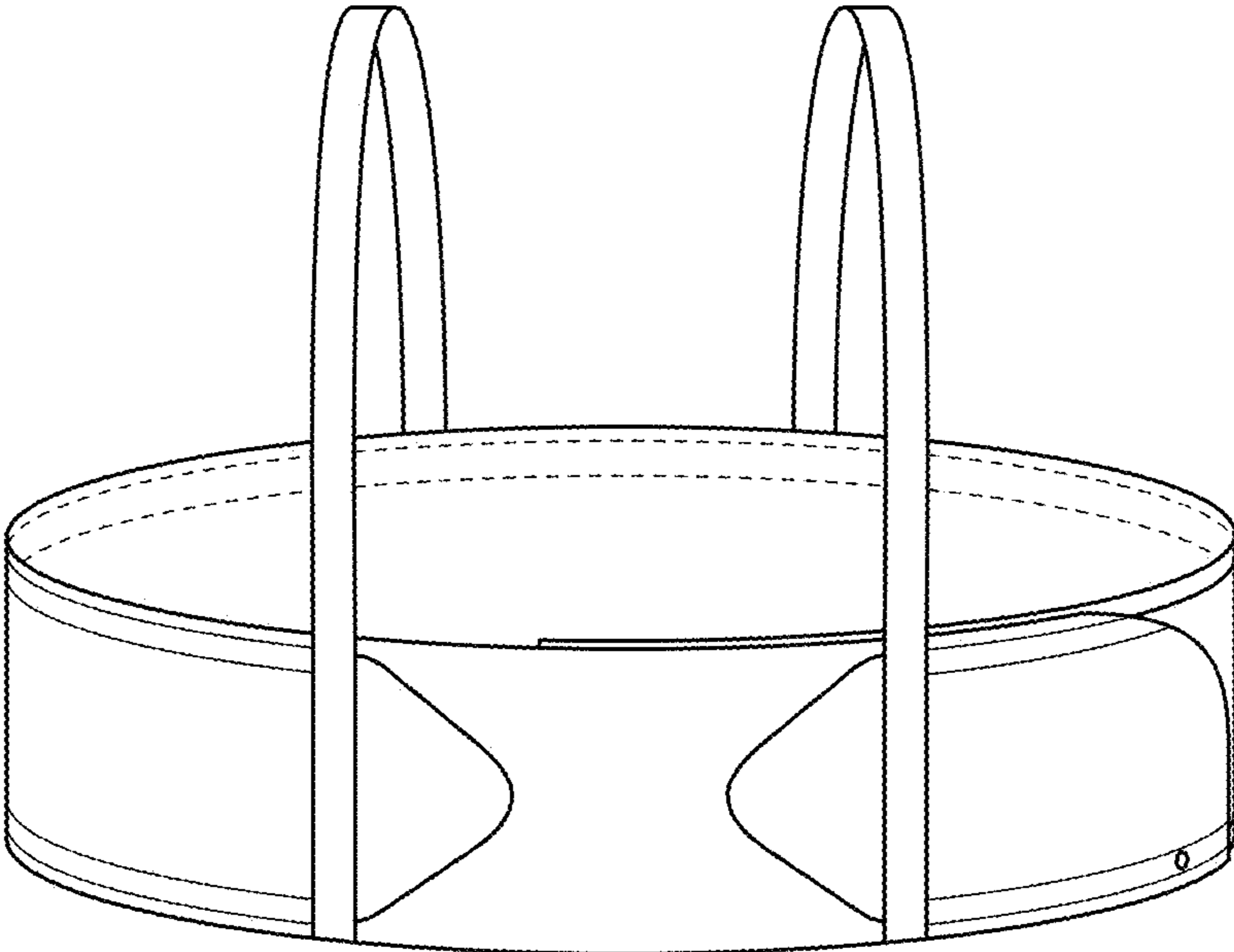


FIG. 1

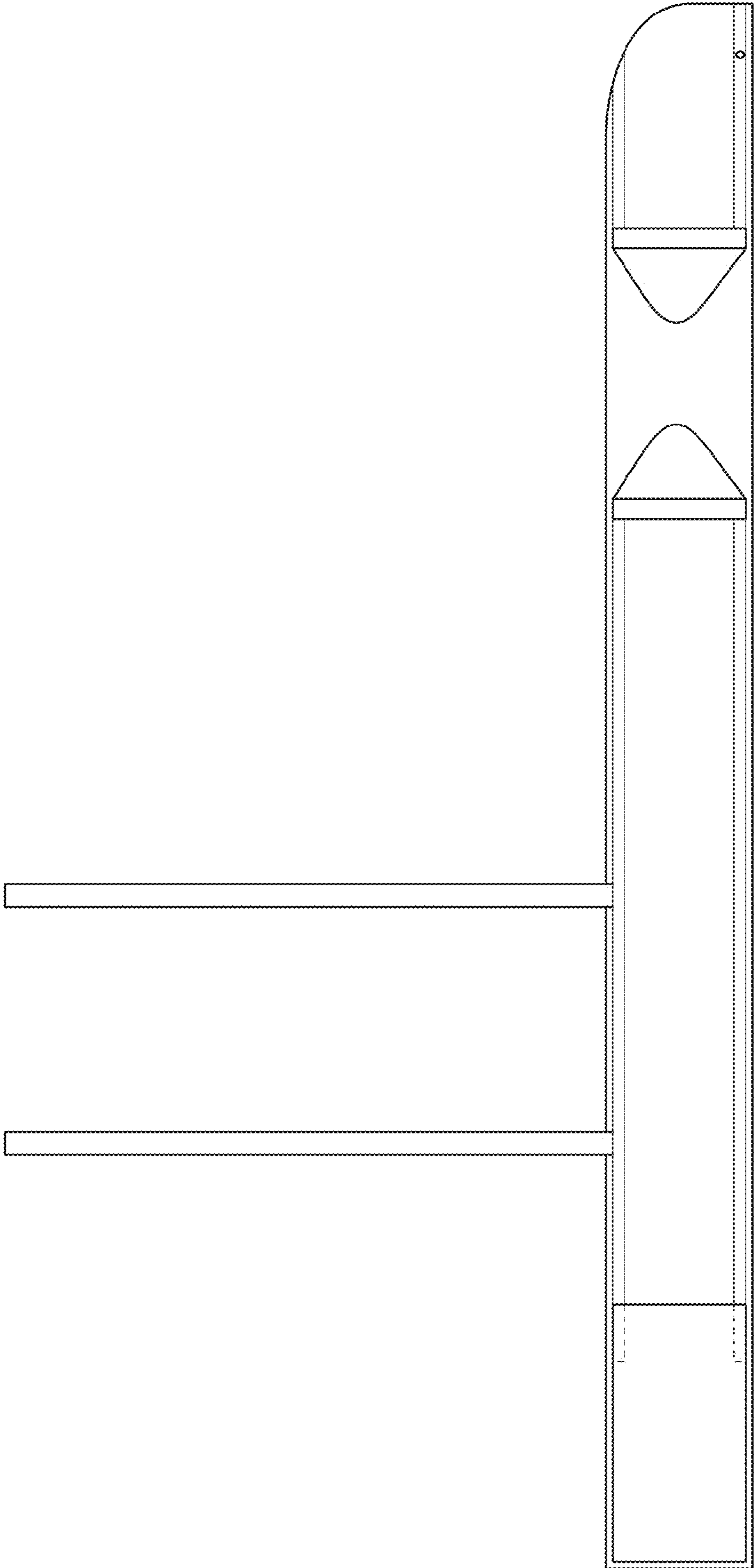


FIG. 2

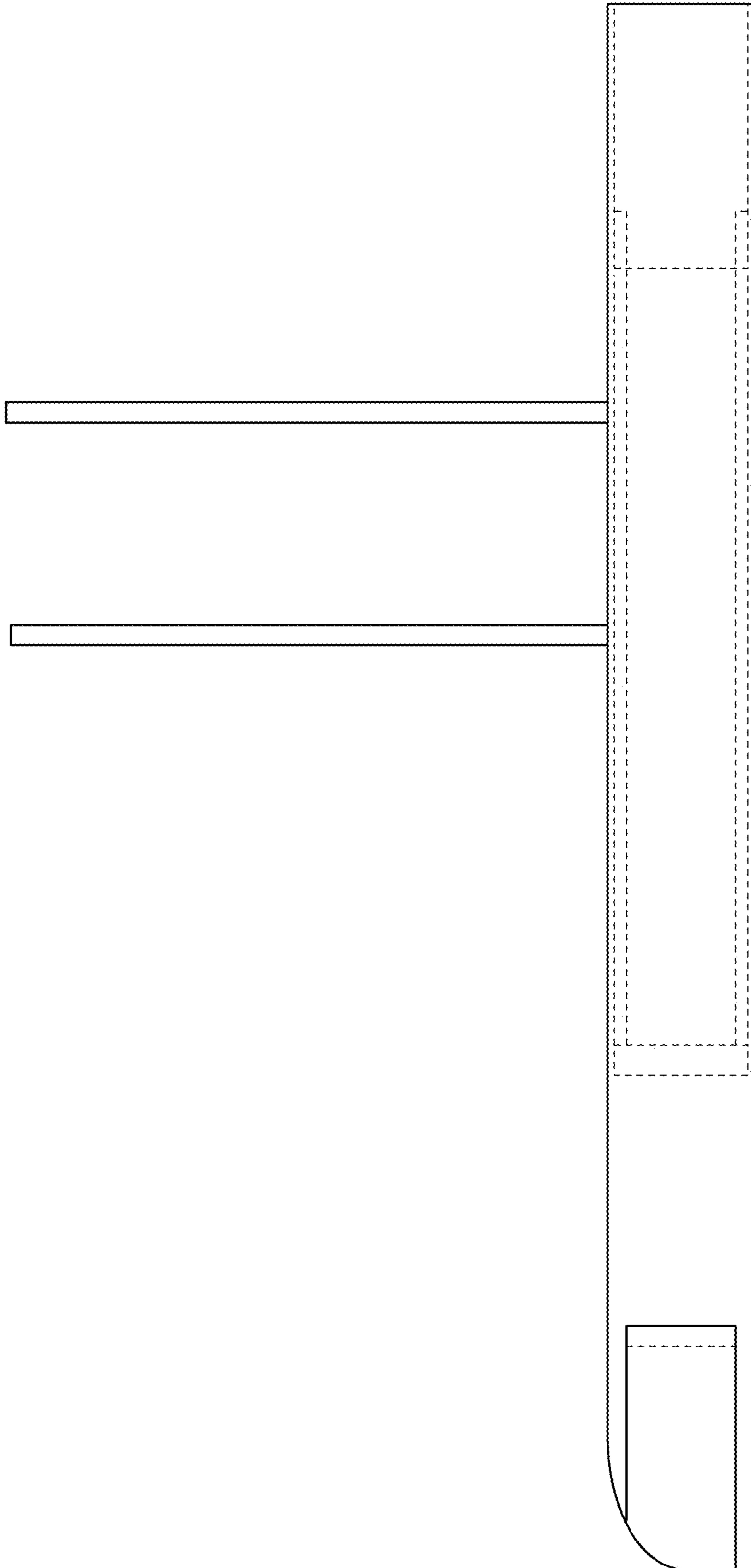


FIG. 3

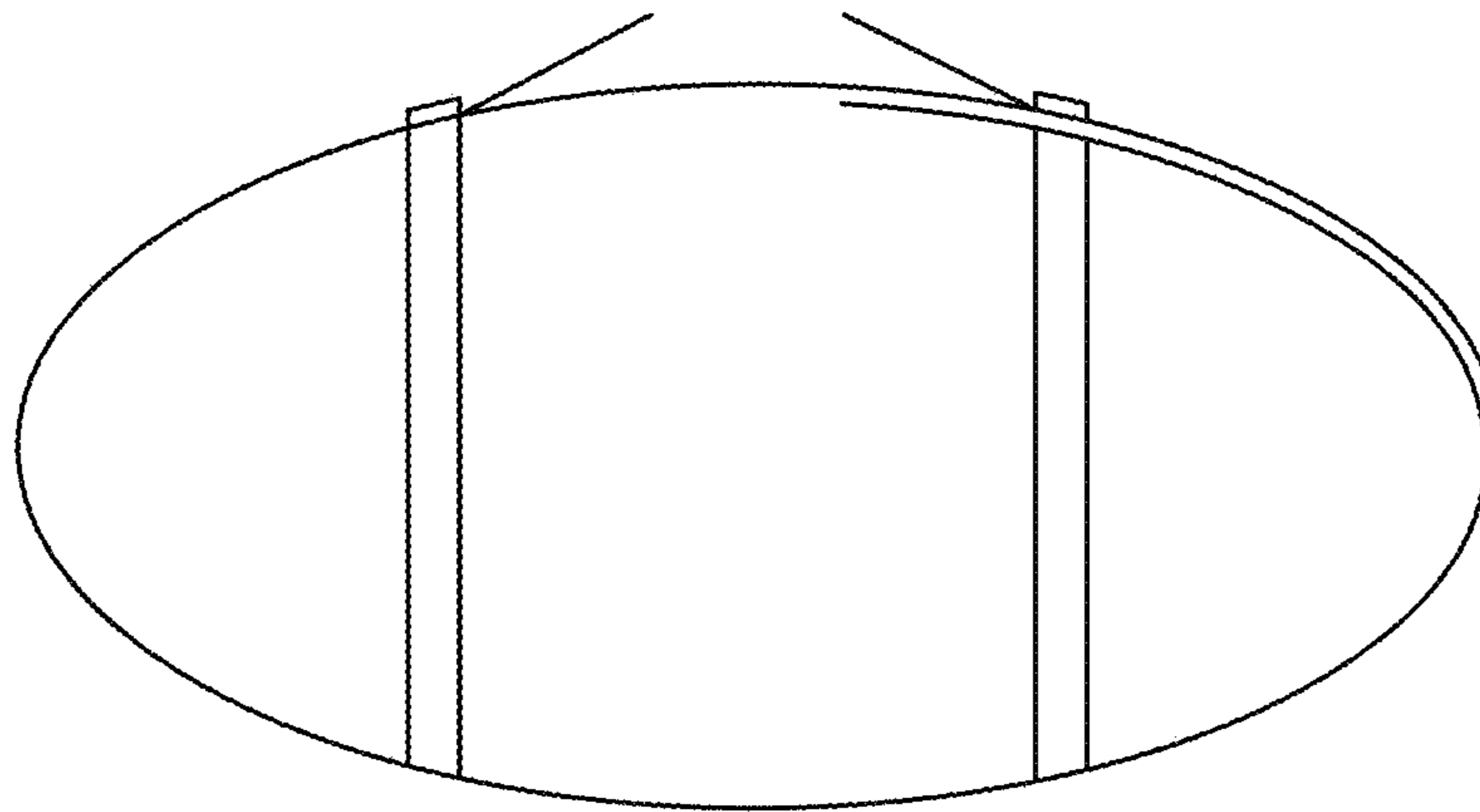


FIG. 4

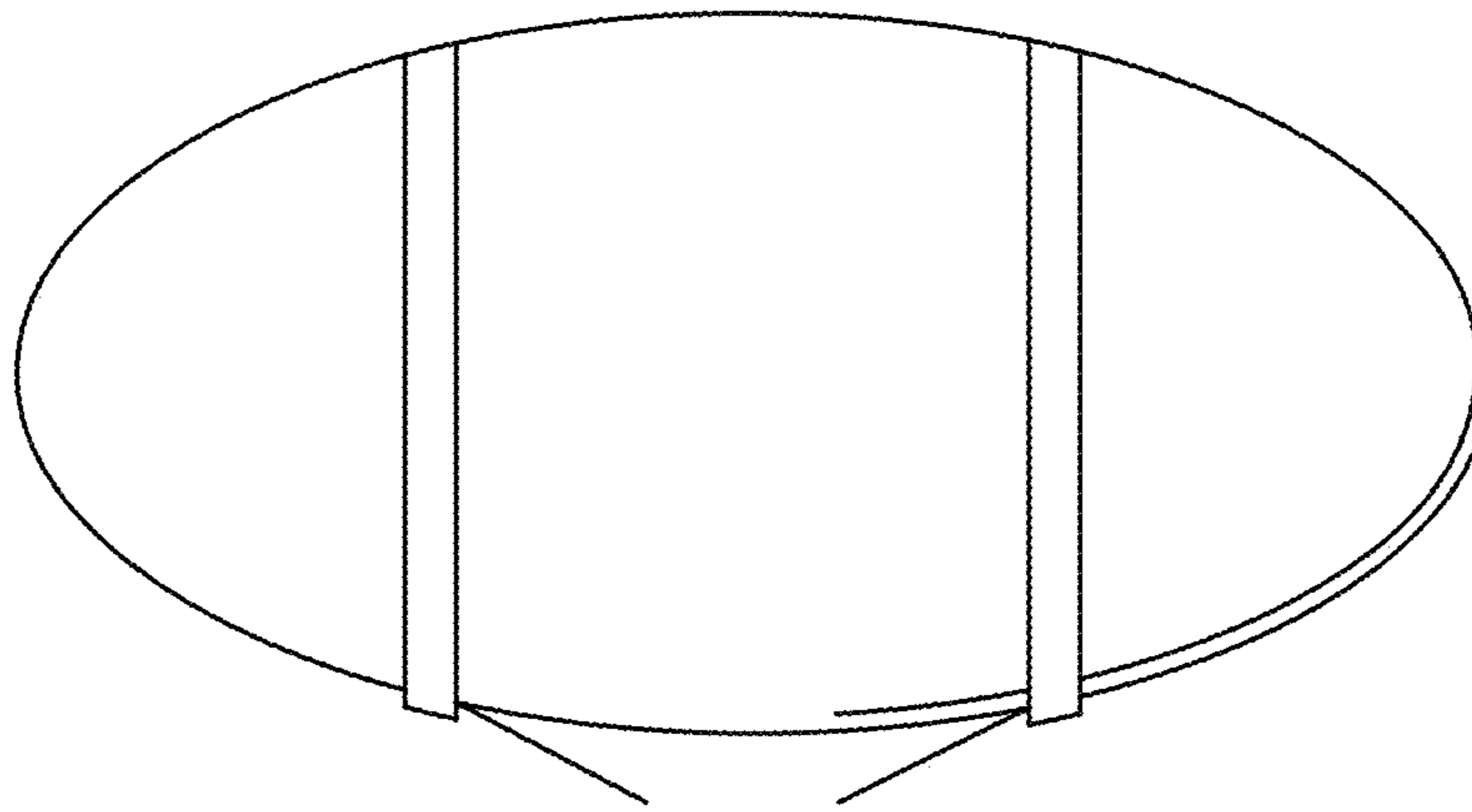


FIG. 5

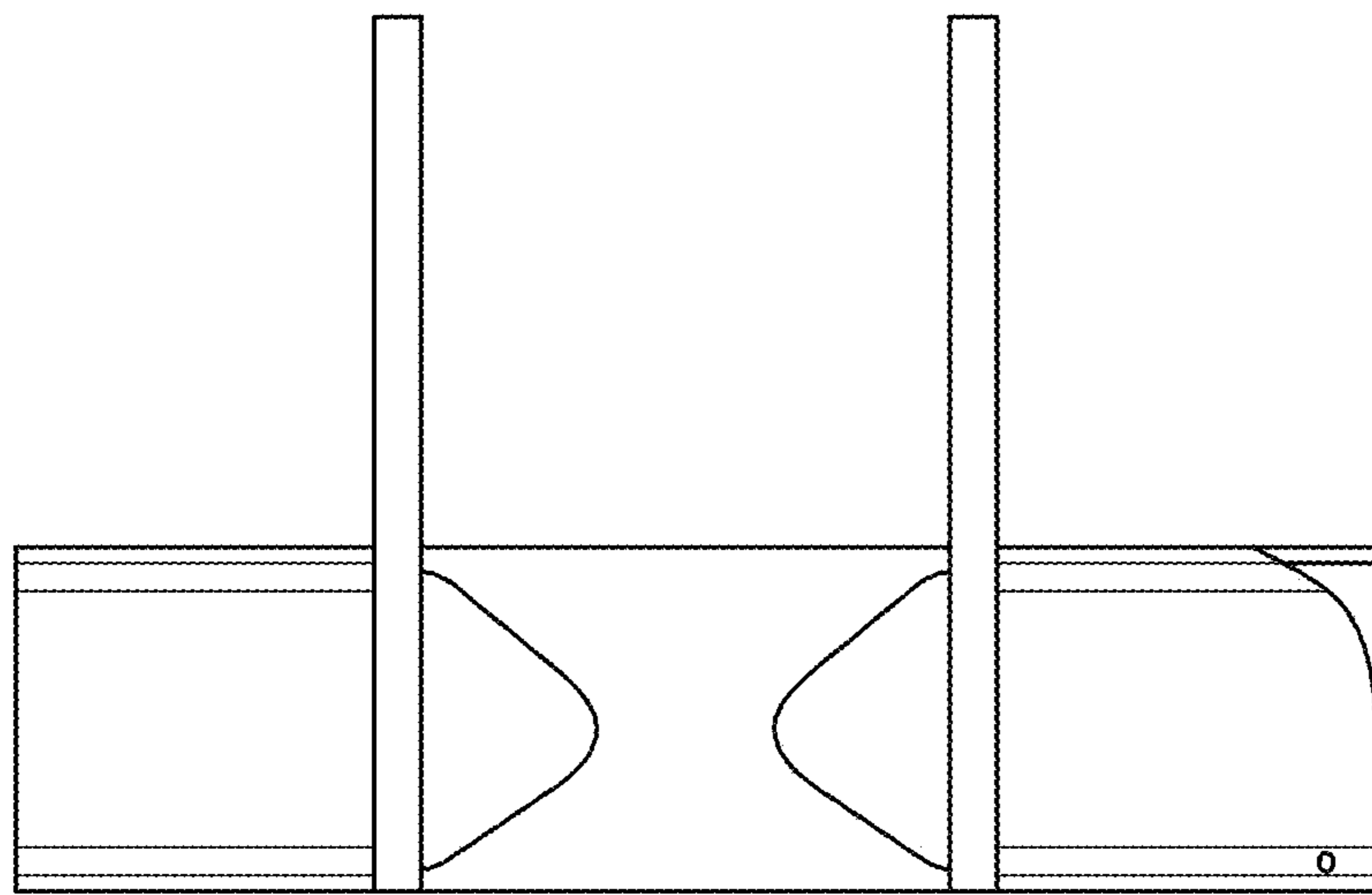


FIG. 6



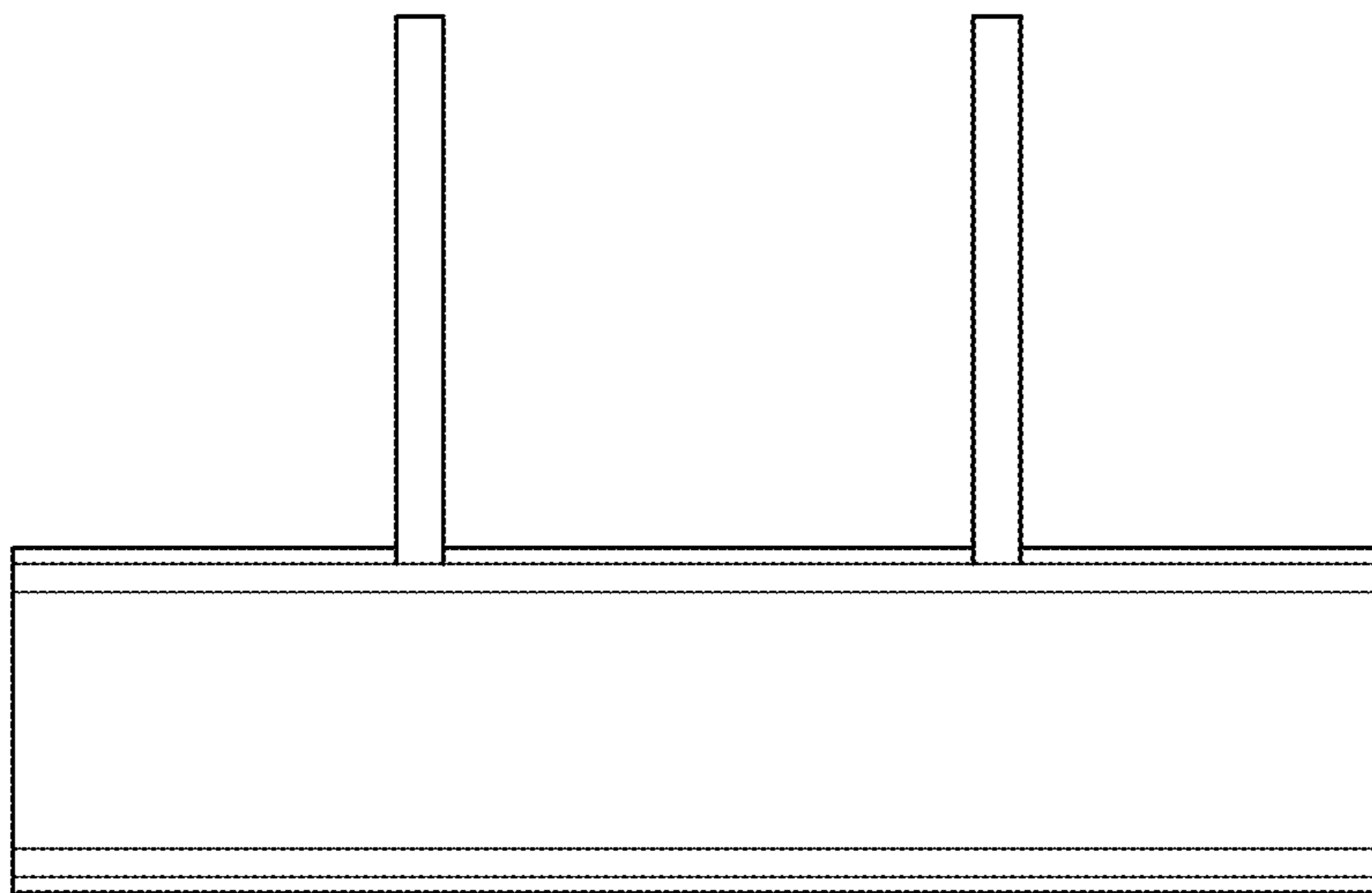


FIG. 7

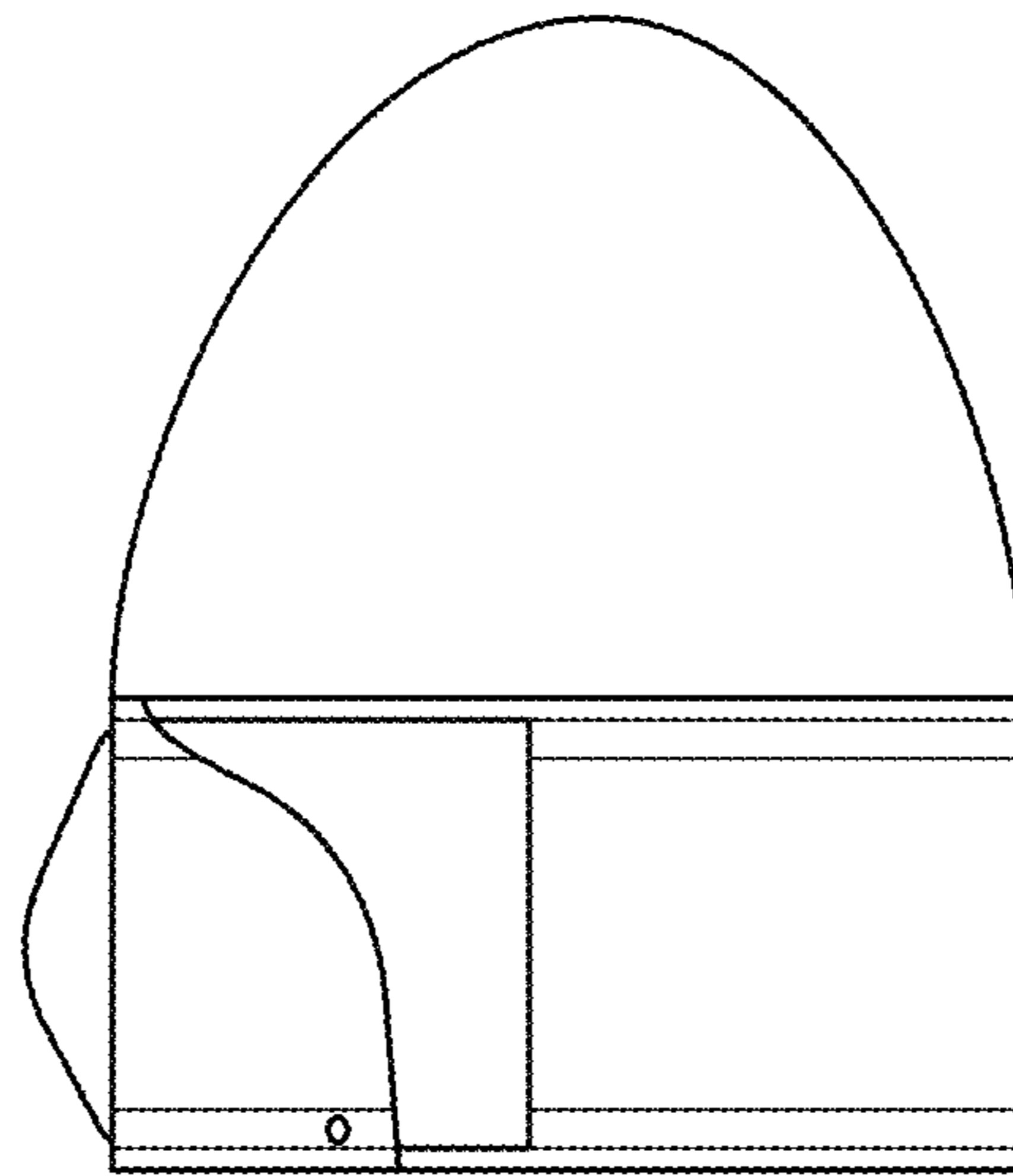


FIG. 8

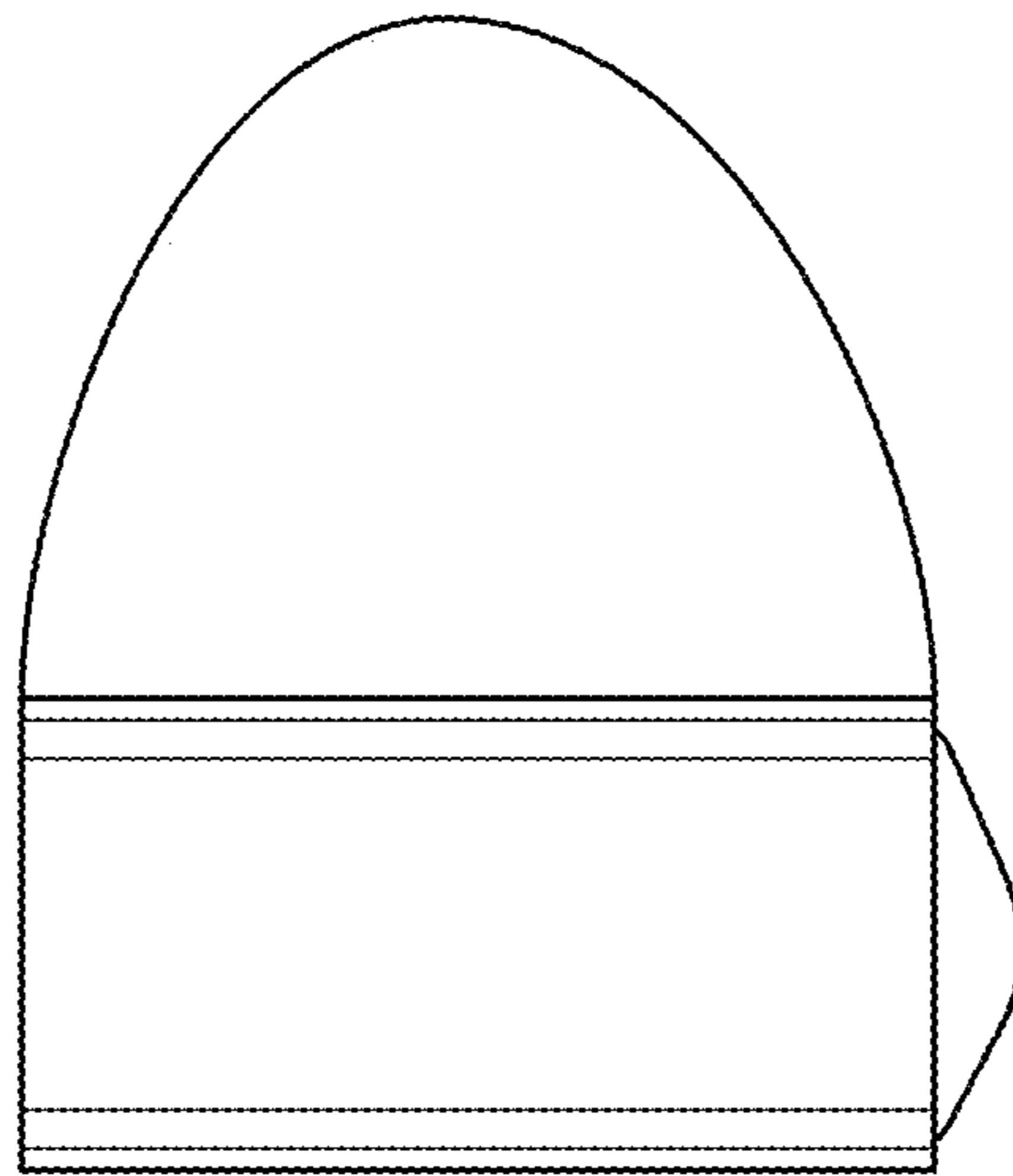


FIG. 9

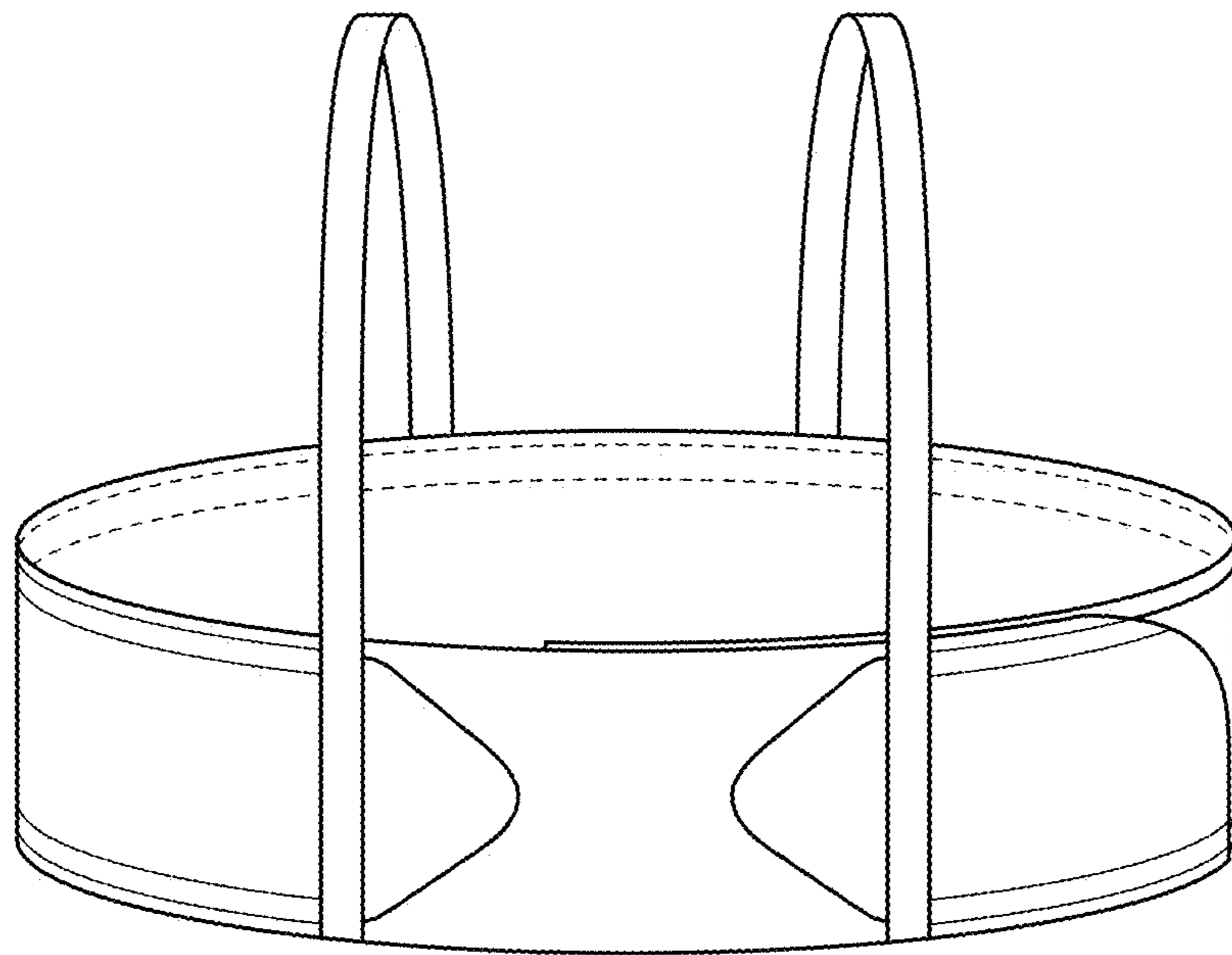


FIG. 10

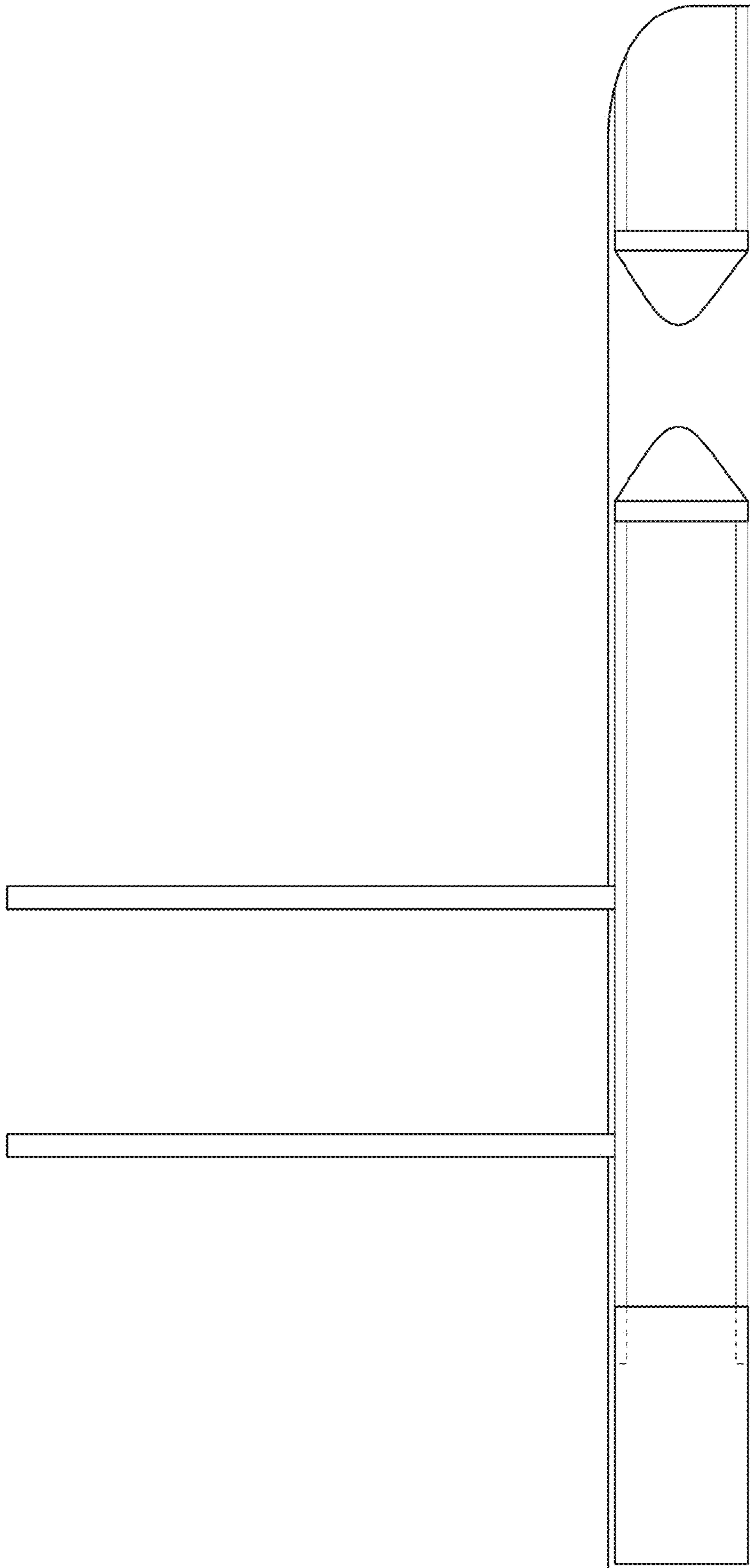


FIG. 11

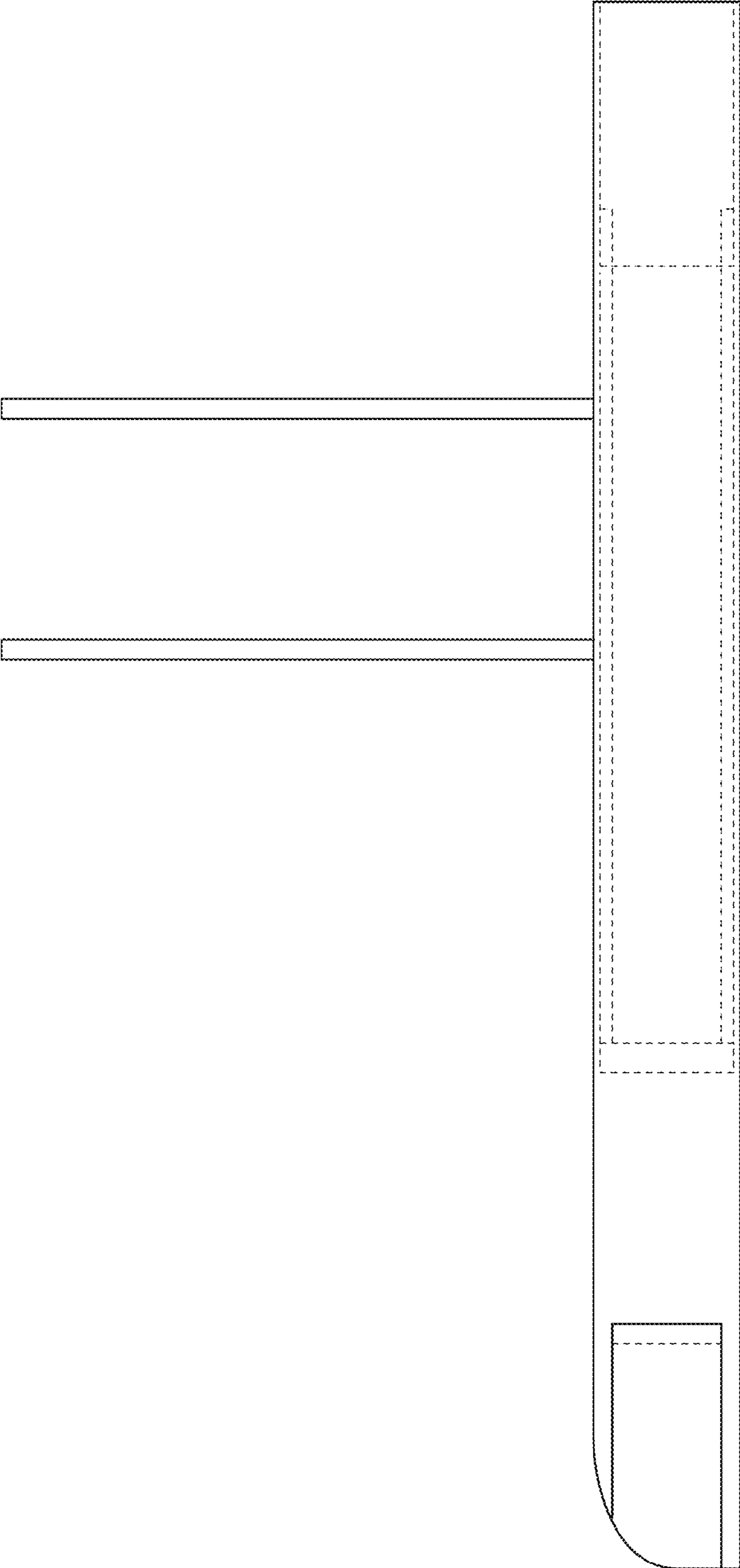


FIG. 12

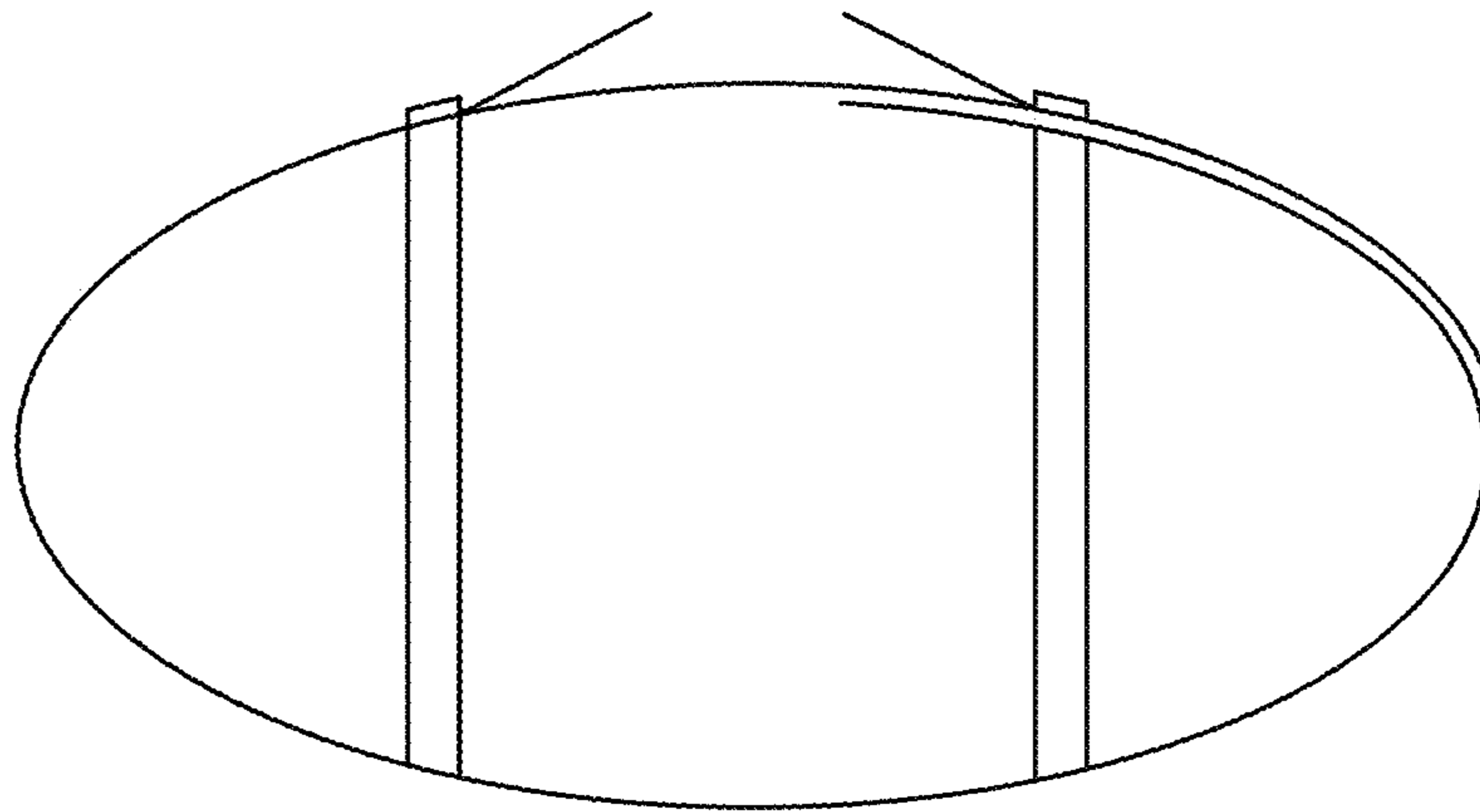


FIG. 13

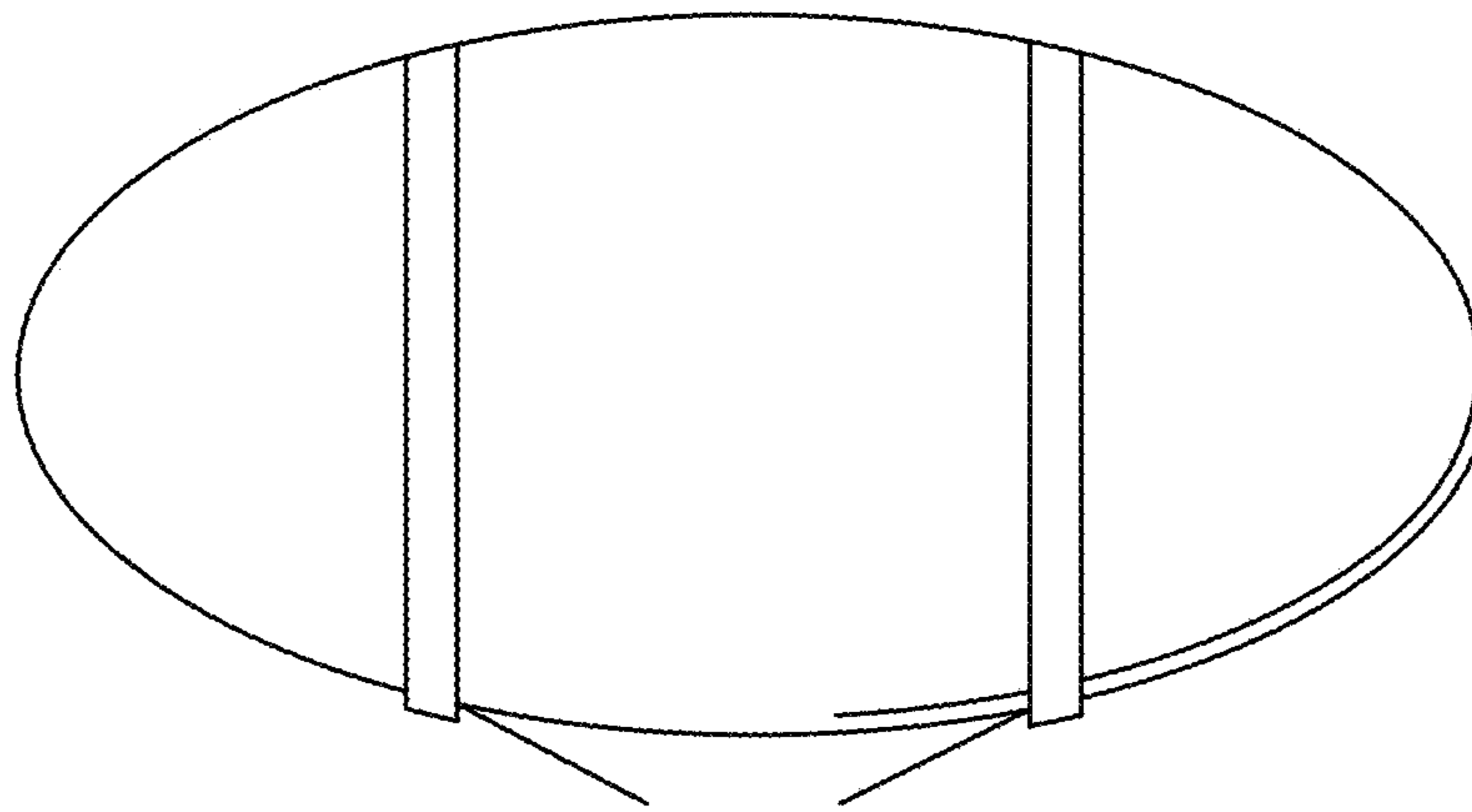


FIG. 14



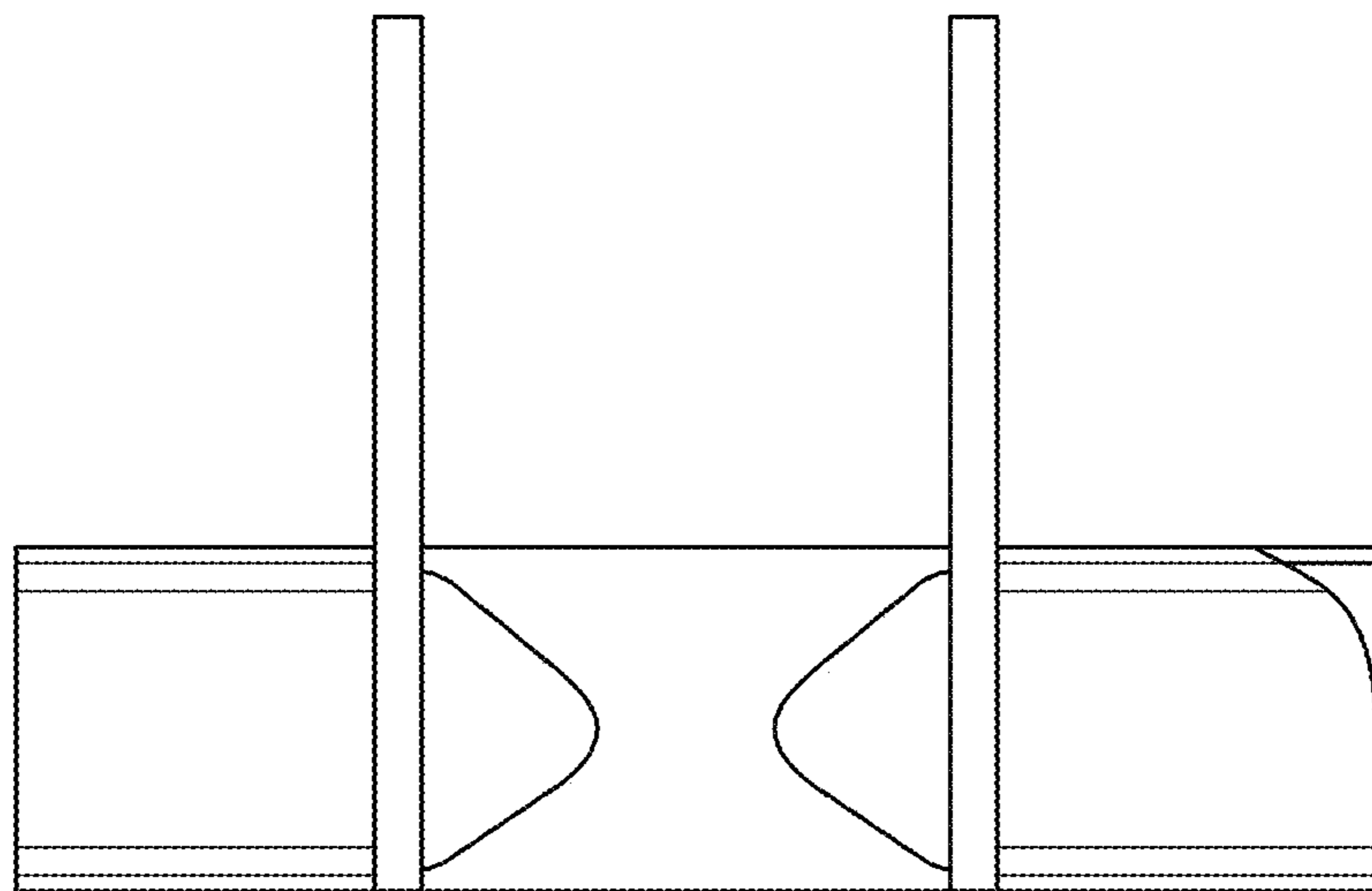


FIG. 15

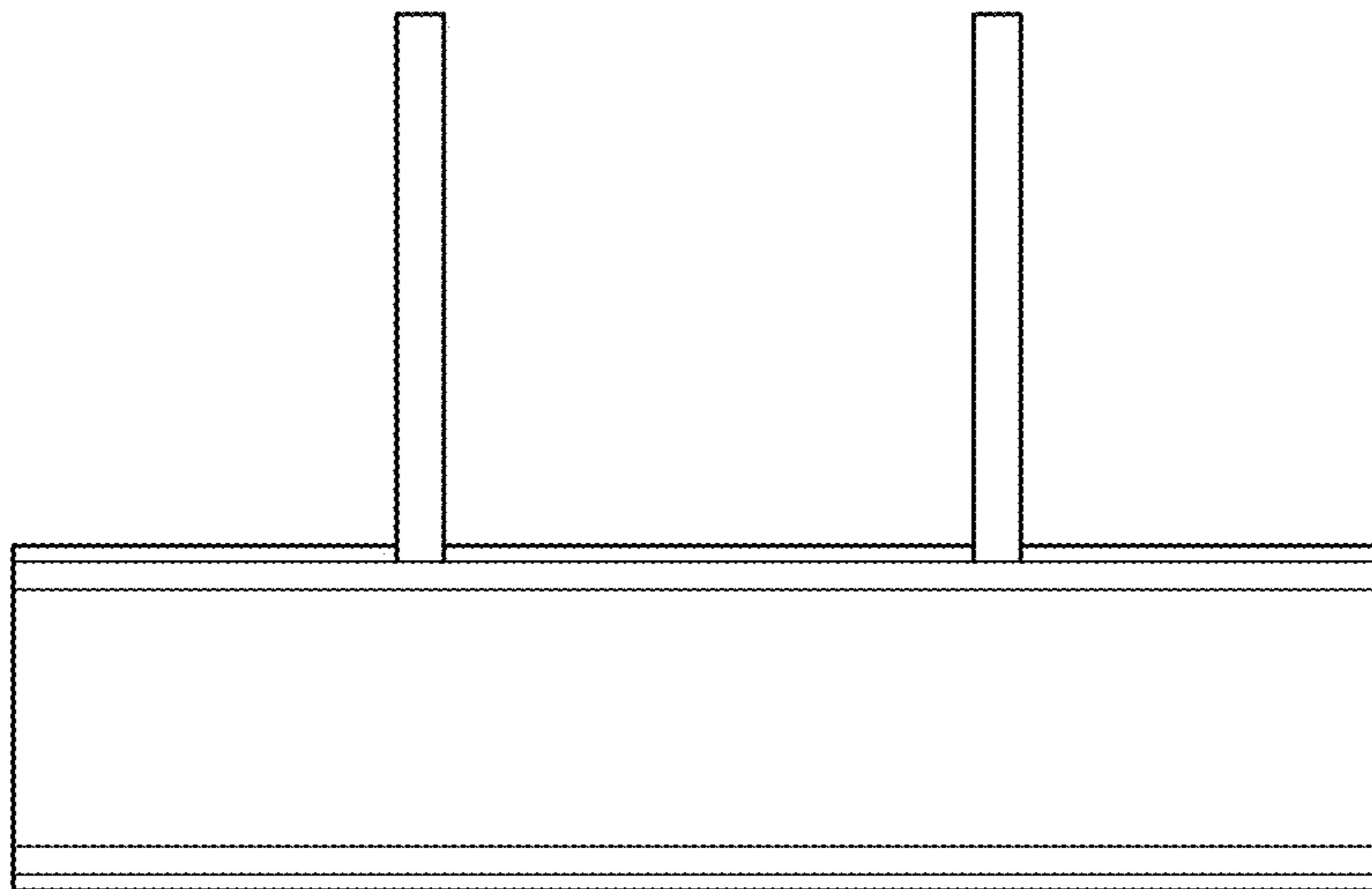


FIG. 16

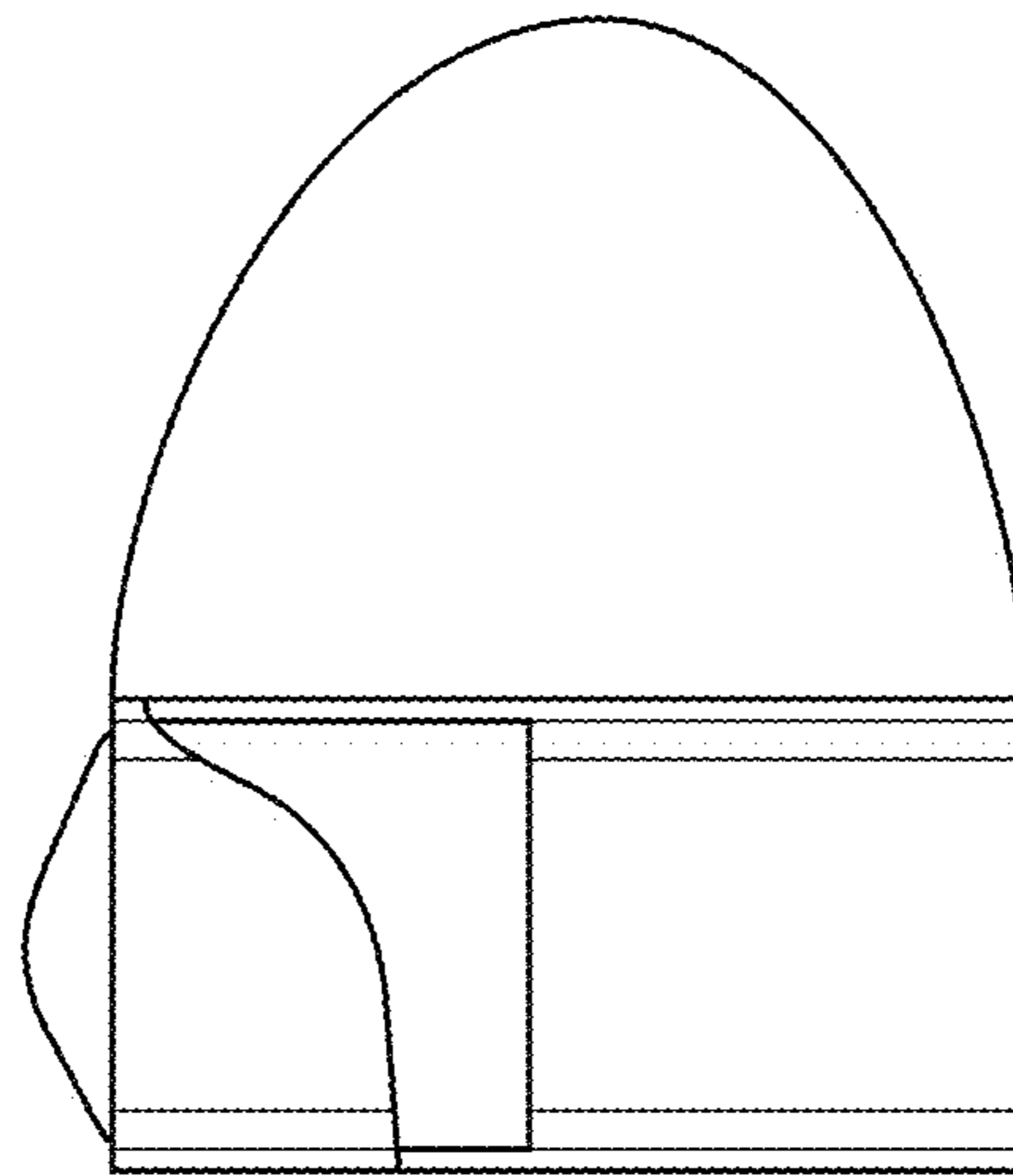


FIG. 17

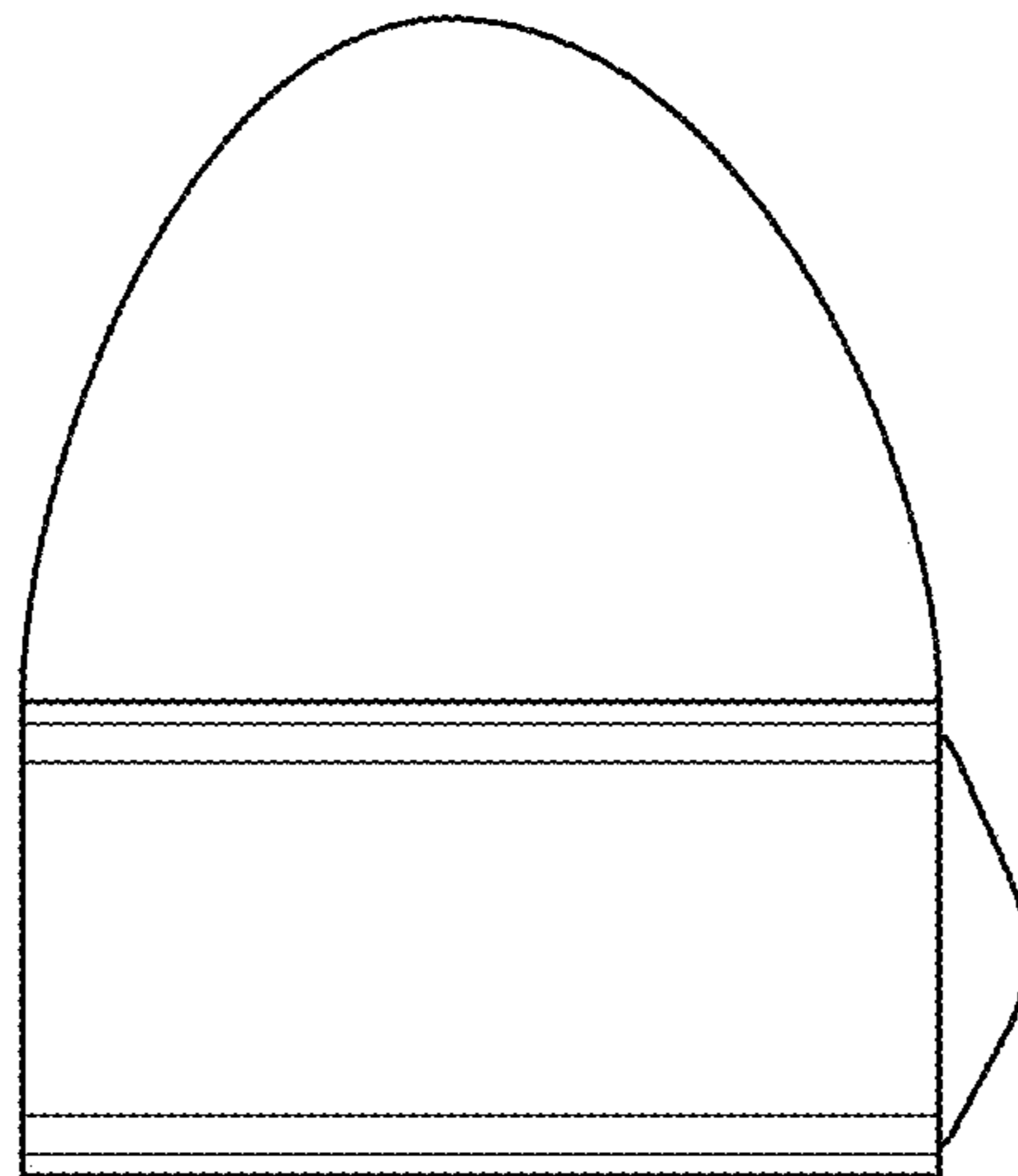


FIG. 18