



US00D948127S

(12) **United States Design Patent** (10) **Patent No.:** **US D948,127 S**
Holzmann et al. (45) **Date of Patent:** **** Apr. 5, 2022**

- (54) **HAND DRYER**
- (71) Applicant: **Bradley Corporation**, Menomonee Falls, WI (US)
- (72) Inventors: **Simon Holzmann**, Zorneding (DE); **Stefan Hillenmayer**, Munich (DE); **Ning Zhou**, Munich (DE); **Laura Beth Stang**, Mukwonago, WI (US)
- (73) Assignee: **Bradley Corporation**, Menomonee Falls, WI (US)
- (**) Term: **15 Years**
- (21) Appl. No.: **29/710,956**
- (22) Filed: **Oct. 28, 2019**

Related U.S. Application Data

- (63) Continuation-in-part of application No. 29/708,035, filed on Oct. 2, 2019.
- (51) **LOC (13) Cl.** **28-03**
- (52) **U.S. Cl.**
USPC **D28/54.1**
- (58) **Field of Classification Search**
USPC D28/12, 54.1, 58; D23/357, 361, 385
CPC F26B 21/004; A45D 20/00; A47K 10/48; B05B 1/04
See application file for complete search history.

References Cited

U.S. PATENT DOCUMENTS

| | | |
|------------|---------|-----------------|
| D530,555 S | 10/2006 | Karraker et al. |
| D615,329 S | 5/2010 | Meyerhoffer |
| D616,683 S | 6/2010 | Law et al. |
| D624,340 S | 9/2010 | Benedetti |
| D634,953 S | 3/2011 | Meyerhoffer |
| D635,319 S | 3/2011 | Meyerhoffer |
| D641,578 S | 7/2011 | Meyerhoffer |

| | | | |
|--------------|---------|-------------------|----------|
| D648,585 S | 11/2011 | Meyerhoffer | |
| D653,888 S | 2/2012 | Velazquez et al. | |
| D676,603 S * | 2/2013 | Ishikawa | D28/54.1 |
| D687,653 S | 8/2013 | Giovannoni | |
| D703,463 S | 4/2014 | Giovannoni | |
| D726,443 S | 4/2015 | Giovannoni | |
| D726,444 S | 4/2015 | Giovannoni | |
| D726,445 S | 4/2015 | Giovannoni | |
| D758,019 S * | 5/2016 | Takiguchi | D28/54.1 |
| D762,008 S * | 7/2016 | Pristatskiy | D28/54.1 |
| D776,352 S * | 1/2017 | Gagnon | D28/54.1 |

(Continued)

Primary Examiner — Zenia I Bennett

(74) *Attorney, Agent, or Firm* — Boyle Fredrickson, S.C.

(57) **CLAIM**

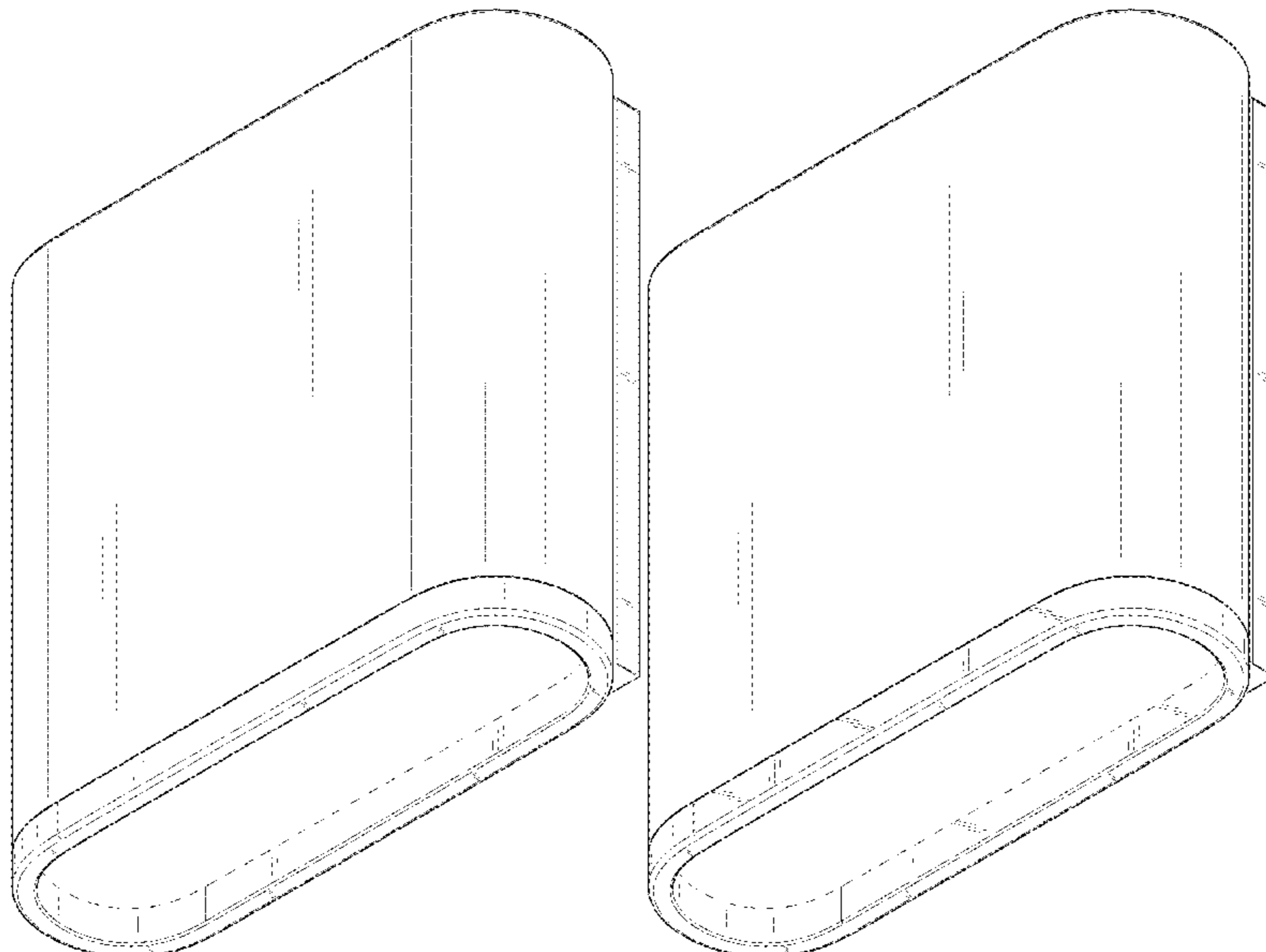
The ornamental design for a hand dryer, substantially as shown and described.

DESCRIPTION

FIG. 1 is a front, raised perspective view of a hand dryer according to a first embodiment of the invention;
 FIG. 2 is a front view of the hand dryer of FIG. 1;
 FIG. 3 is a rear view of the hand dryer of FIG. 1;
 FIG. 4 is a right side view of the hand dryer of FIG. 1;
 FIG. 5 is a left side view of the hand dryer of FIG. 1;
 FIG. 6 is a top view of the hand dryer of FIG. 1;
 FIG. 7 is a bottom view of the hand dryer of FIG. 1;
 FIG. 8 is a front, lowered perspective view of the hand dryer of FIG. 1;
 FIG. 9 is a front, raised perspective view of a hand dryer according to a second embodiment of the invention, the second embodiment being similar to the first embodiment but with a transparent lower section; and,
 FIG. 10 is a front, lowered perspective of the hand dryer of FIG. 9.

The broken lines in the drawings depicting the inner portions of the hand dryer in FIGS. 8 and 10 are for illustrative purposes only and form no part of the claimed design.

1 Claim, 10 Drawing Sheets



(56)

References Cited

U.S. PATENT DOCUMENTS

D780,995 S * 3/2017 Ayre D28/54.1
D790,873 S 7/2017 Ku et al.
D796,866 S 9/2017 Johnson
D796,867 S 9/2017 Johnson
D796,868 S 9/2017 Johnson
D809,819 S 2/2018 Johnson
D811,120 S 2/2018 Johnson
D830,636 S * 10/2018 Loong D28/54.1
D871,672 S * 12/2019 Hongfei D28/54.1

* cited by examiner

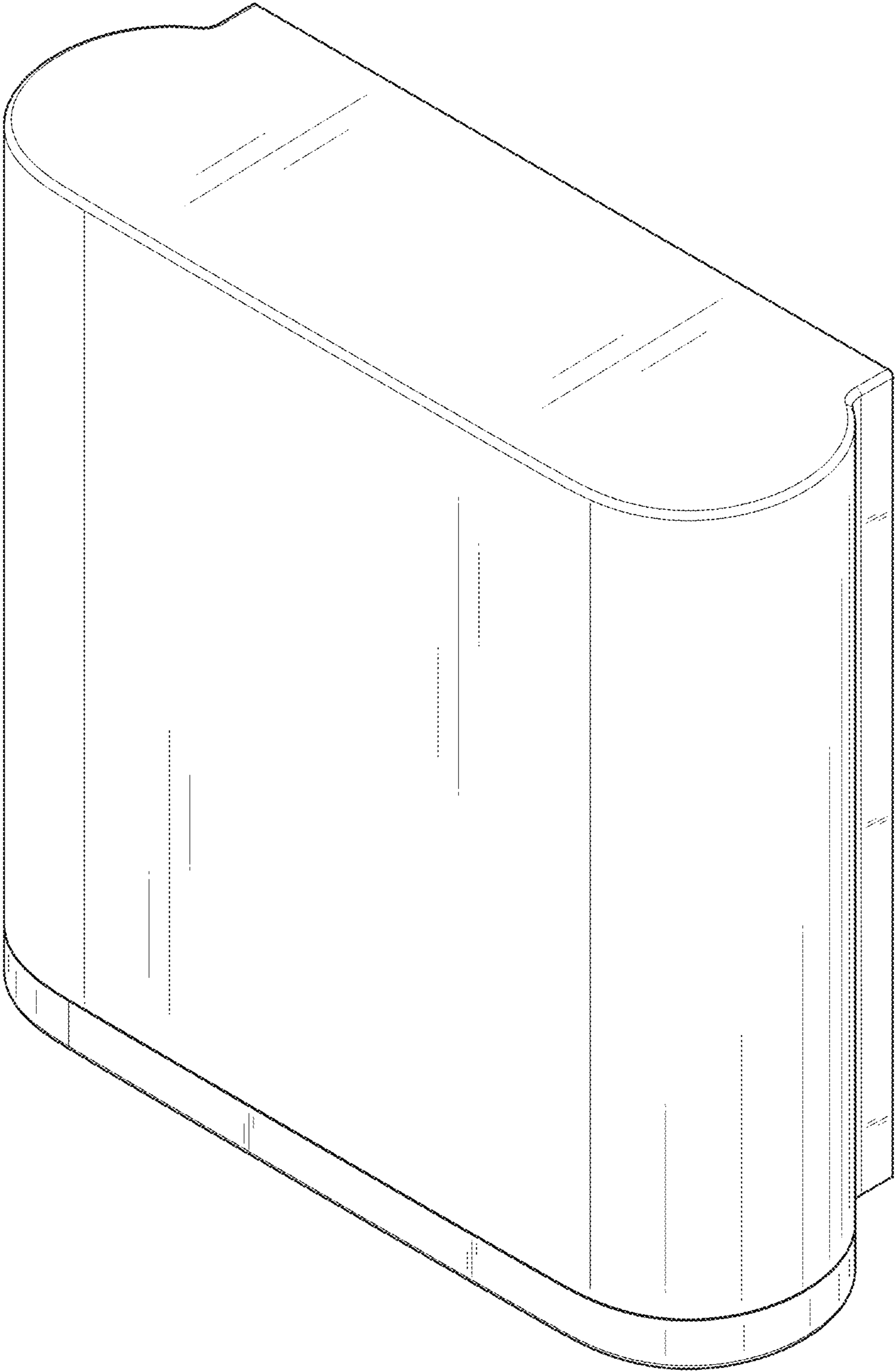


FIG. 1

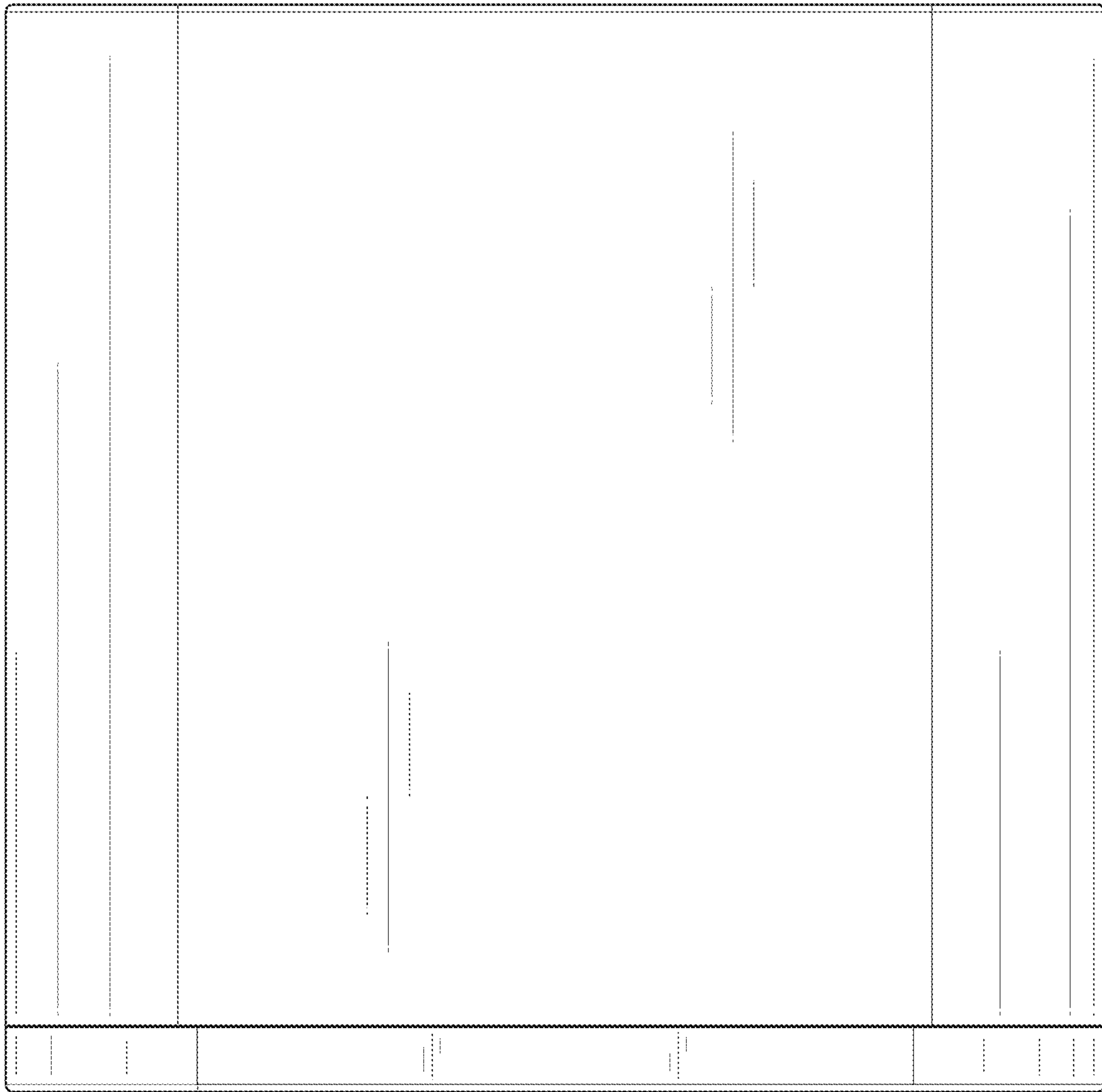


FIG. 2

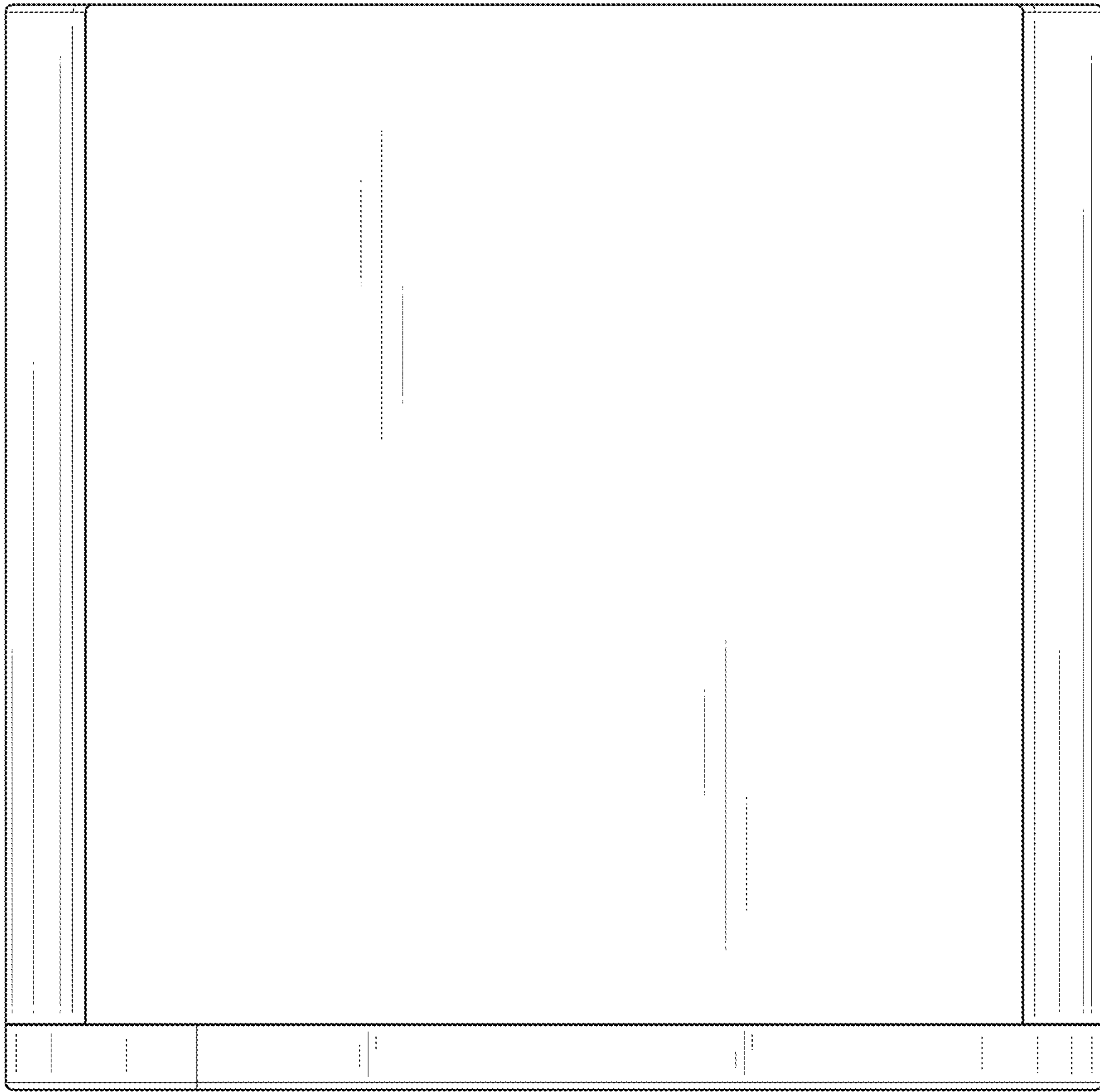


FIG. 3

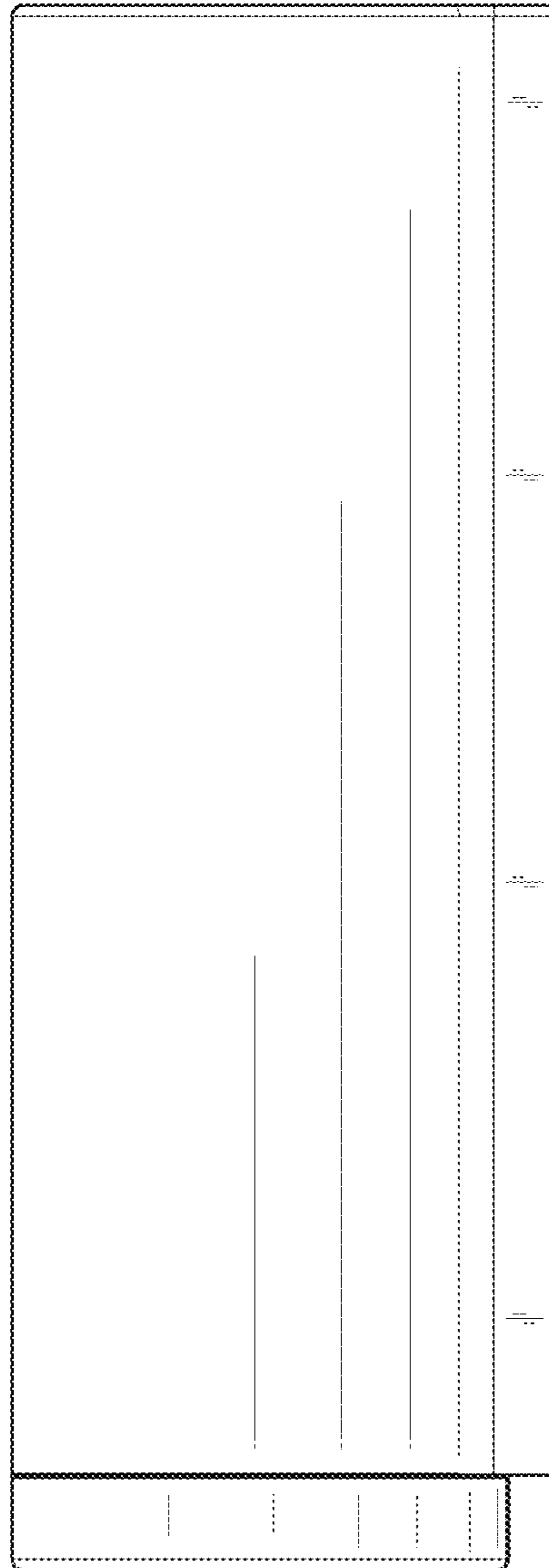


FIG. 4

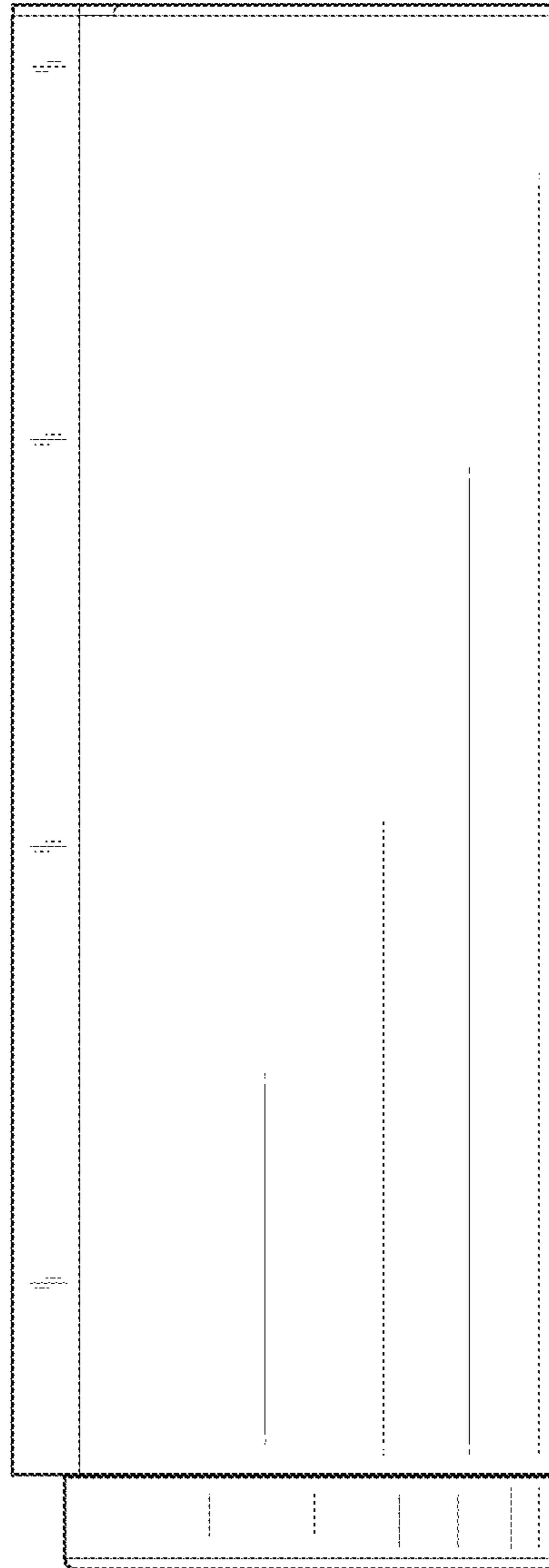


FIG. 5

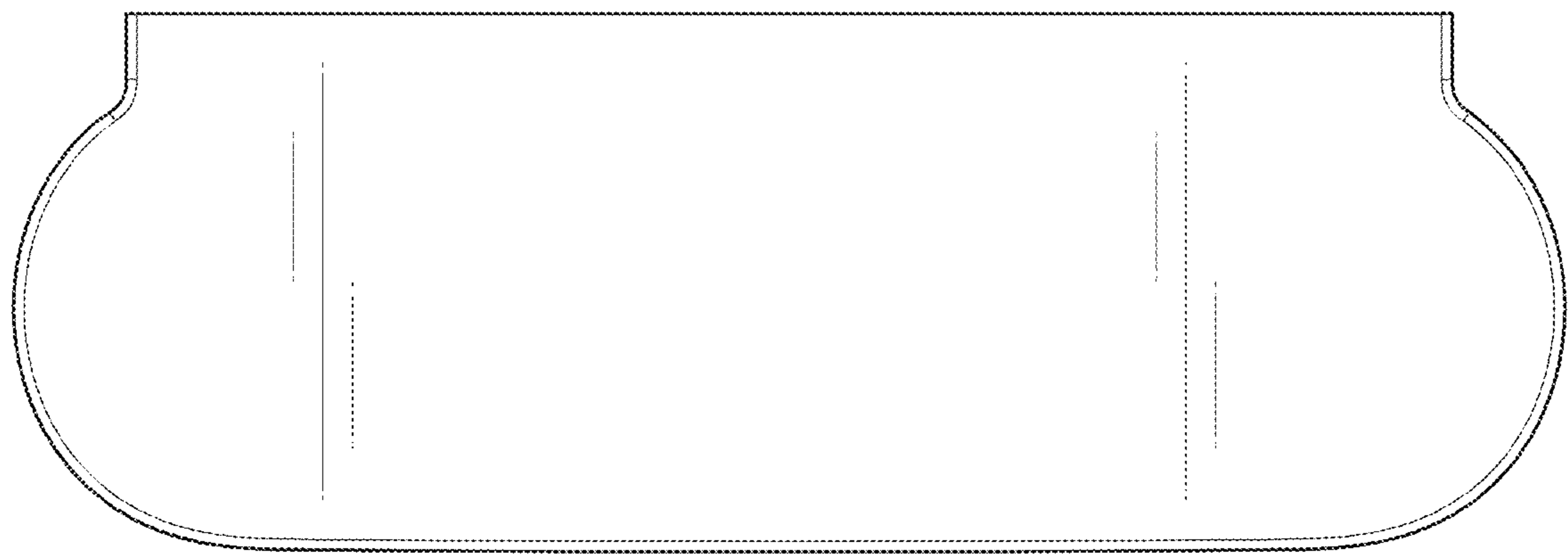


FIG. 6

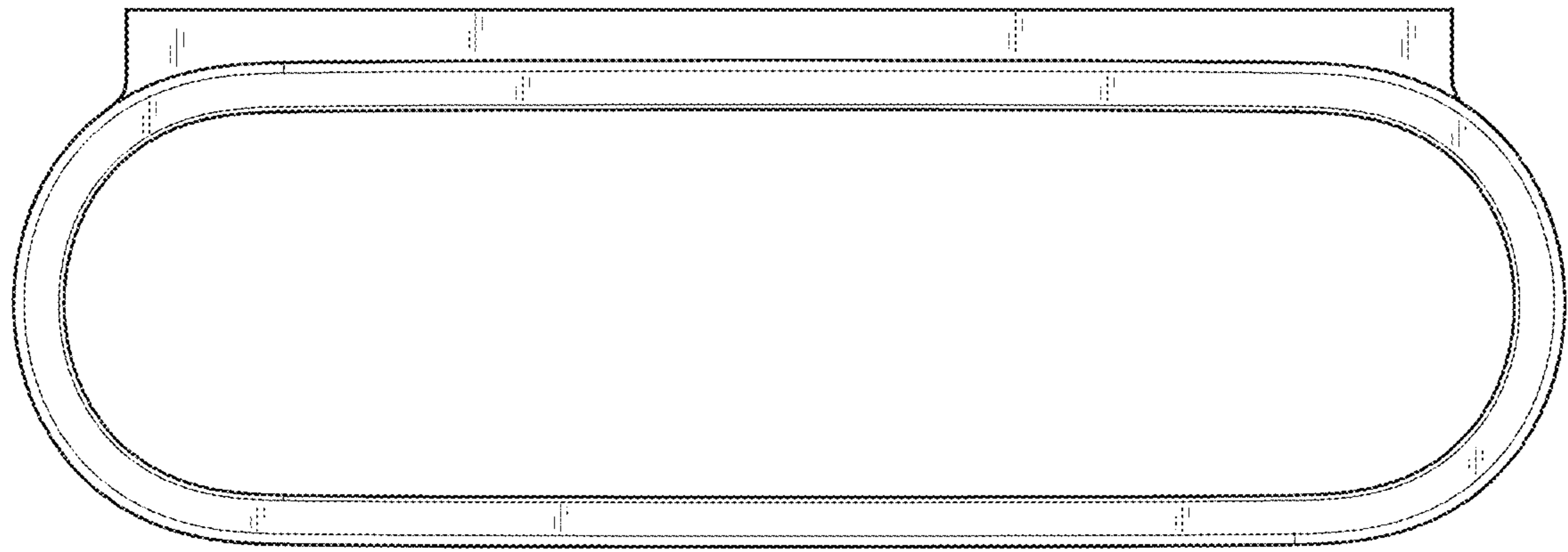


FIG. 7

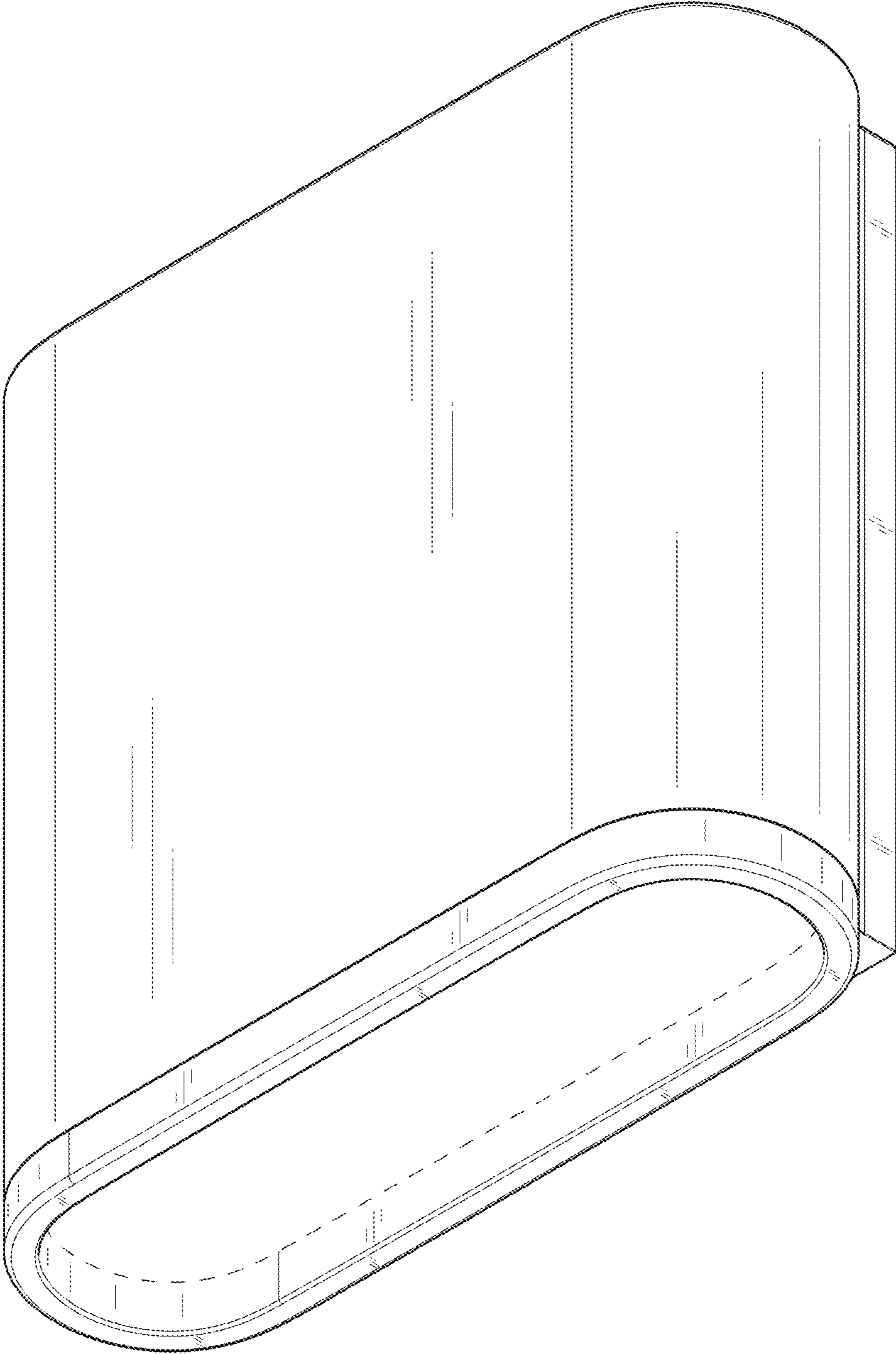


FIG. 8

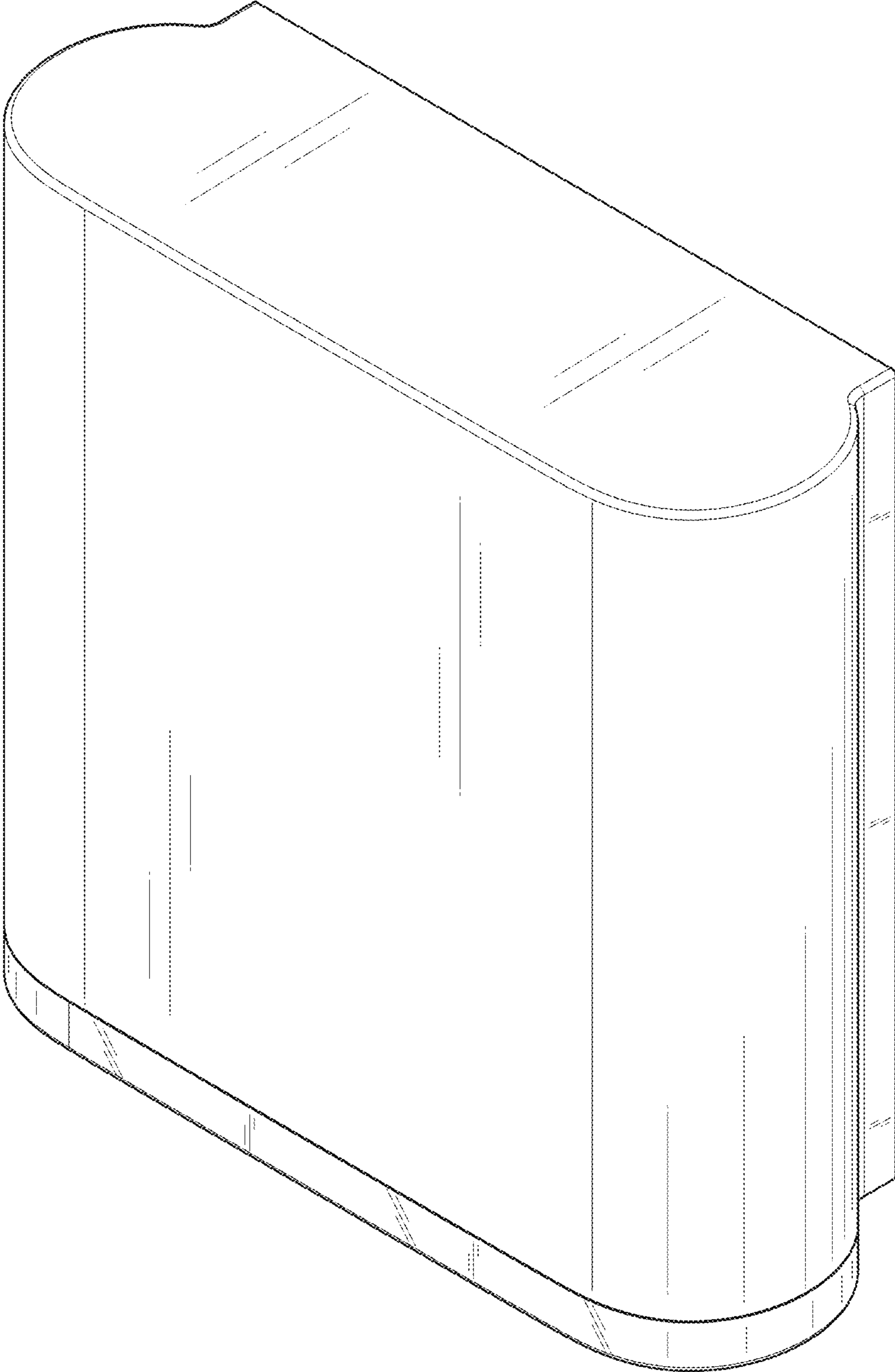


FIG. 9

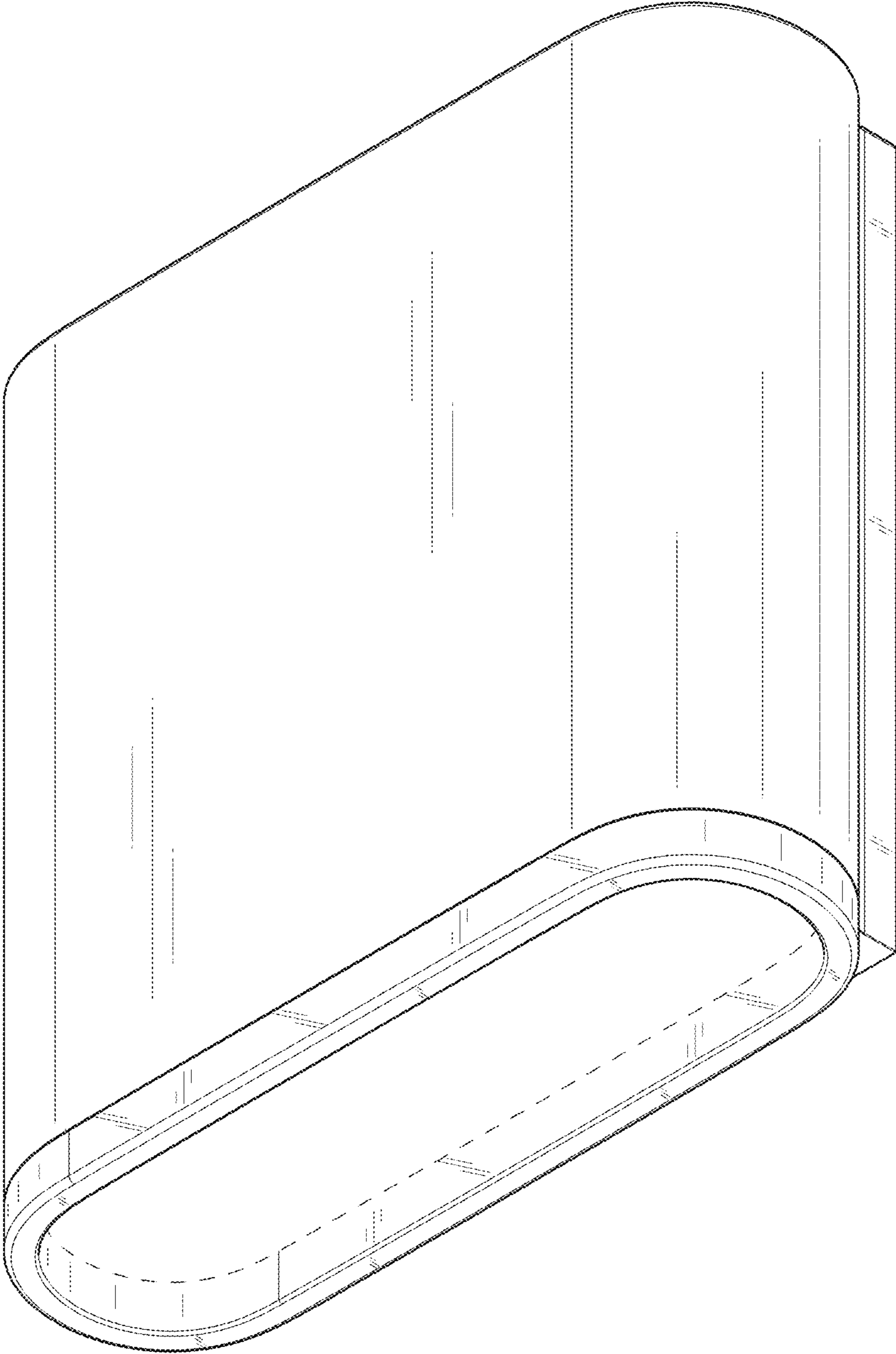


FIG. 10