



US00D948123S

(12) **United States Design Patent**  
**Tezuka**

(10) **Patent No.:** **US D948,123 S**  
(45) **Date of Patent:** **\*\* Apr. 5, 2022**

- (54) **RAZOR BLADE**
- (71) Applicant: **KAI R&D CENTER CO., LTD.,** Seki (JP)
- (72) Inventor: **Tatsuya Tezuka,** Seki (JP)
- (73) Assignee: **KAI R&D CENTER CO., LTD.,** Gifu-ken (JP)
- (\*\*) Term: **15 Years**
- (21) Appl. No.: **29/750,590**
- (22) Filed: **Sep. 15, 2020**
- (51) **LOC (13) Cl.** ..... **28-03**
- (52) **U.S. Cl.**  
USPC ..... **D28/47**
- (58) **Field of Classification Search**  
USPC ..... D28/44, 45, 46, 47; D8/20, 98  
CPC ... B26B 21/56; B26B 21/222; B26B 21/4031;  
B26B 21/4025; B26B 21/4012  
See application file for complete search history.

(56) **References Cited**

**U.S. PATENT DOCUMENTS**

- 2,019,122 A \* 10/1935 Duritza ..... B26B 21/56  
30/346.58
- 2,108,267 A \* 2/1938 O'Neill ..... B26B 21/56  
30/346.58
- 2,408,790 A \* 10/1946 Mack ..... B26B 21/58  
76/104.1
- 3,872,588 A \* 3/1975 Bogaty ..... B26B 21/56  
30/50
- 4,016,648 A \* 4/1977 Chen ..... B26B 21/222  
30/47
- 4,302,876 A \* 12/1981 Emmett ..... B26B 21/222  
30/346.58
- 4,324,041 A \* 4/1982 Trotta ..... B26B 21/54  
30/47

- 4,328,615 A \* 5/1982 Bowman ..... B26B 29/00  
30/32
- 4,403,412 A \* 9/1983 Trotta ..... B26B 21/227  
30/47
- 4,641,429 A \* 2/1987 Abatemarco ..... B26B 21/4012  
30/41
- 4,860,452 A \* 8/1989 Guarnaccia ..... B26B 21/56  
30/346.6
- 5,070,612 A \* 12/1991 Abatemarco ..... B26B 21/4018  
30/50
- 5,331,740 A \* 7/1994 Carson, III ..... B26B 21/521  
30/50
- 5,412,872 A \* 5/1995 Iderosa ..... B26B 21/4012  
30/50
- 5,501,014 A \* 3/1996 Hegemann ..... B26B 21/222  
30/346.5
- D449,709 S \* 10/2001 Arey ..... D28/45
- D497,219 S \* 10/2004 Branden ..... A47L 13/08  
D28/47
- 2001/0029669 A1 \* 10/2001 Ferraro ..... B26B 21/4068  
30/49

(Continued)

*Primary Examiner* — Philip S Hyder  
(74) *Attorney, Agent, or Firm* — Posz Law Group, PLC

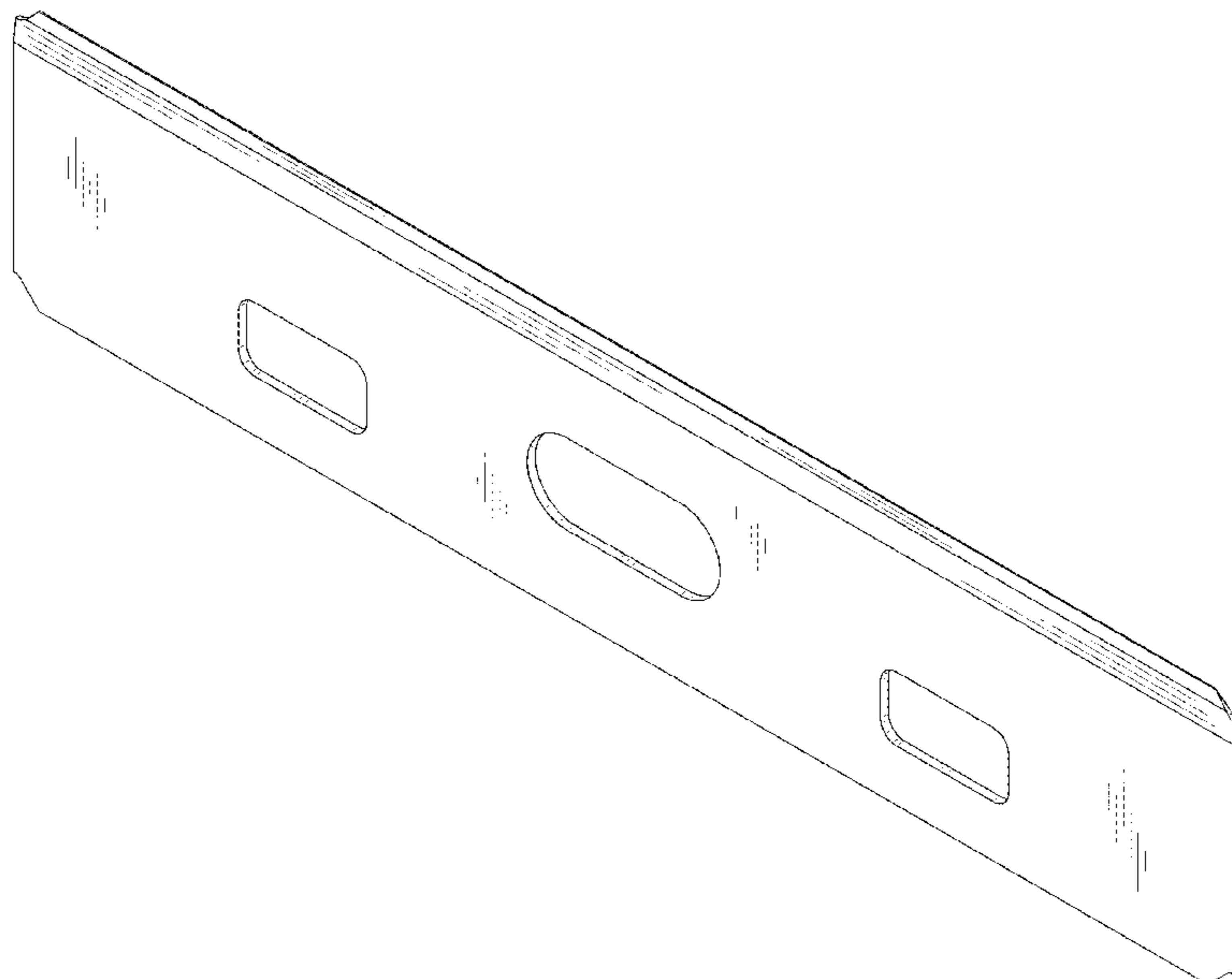
(57) **CLAIM**

The ornamental design for a razor blade, as shown and described.

**DESCRIPTION**

FIG. 1 is a front, top and right side perspective view of a razor blade showing my new design; FIG. 2 is a front view thereof; FIG. 3 is a rear view thereof; FIG. 4 is a top plan view thereof; FIG. 5 is a bottom plan view thereof; FIG. 6 is a right side view thereof; FIG. 7 is a left side view thereof; and, FIG. 8 is a cross-sectional view taken along line 8-8 in FIG. 2.

**1 Claim, 6 Drawing Sheets**



(56)

**References Cited**

U.S. PATENT DOCUMENTS

2011/0030226 A1\* 2/2011 Dunn-Rankin ..... B26B 21/58  
30/346.53

\* cited by examiner

FIG.1

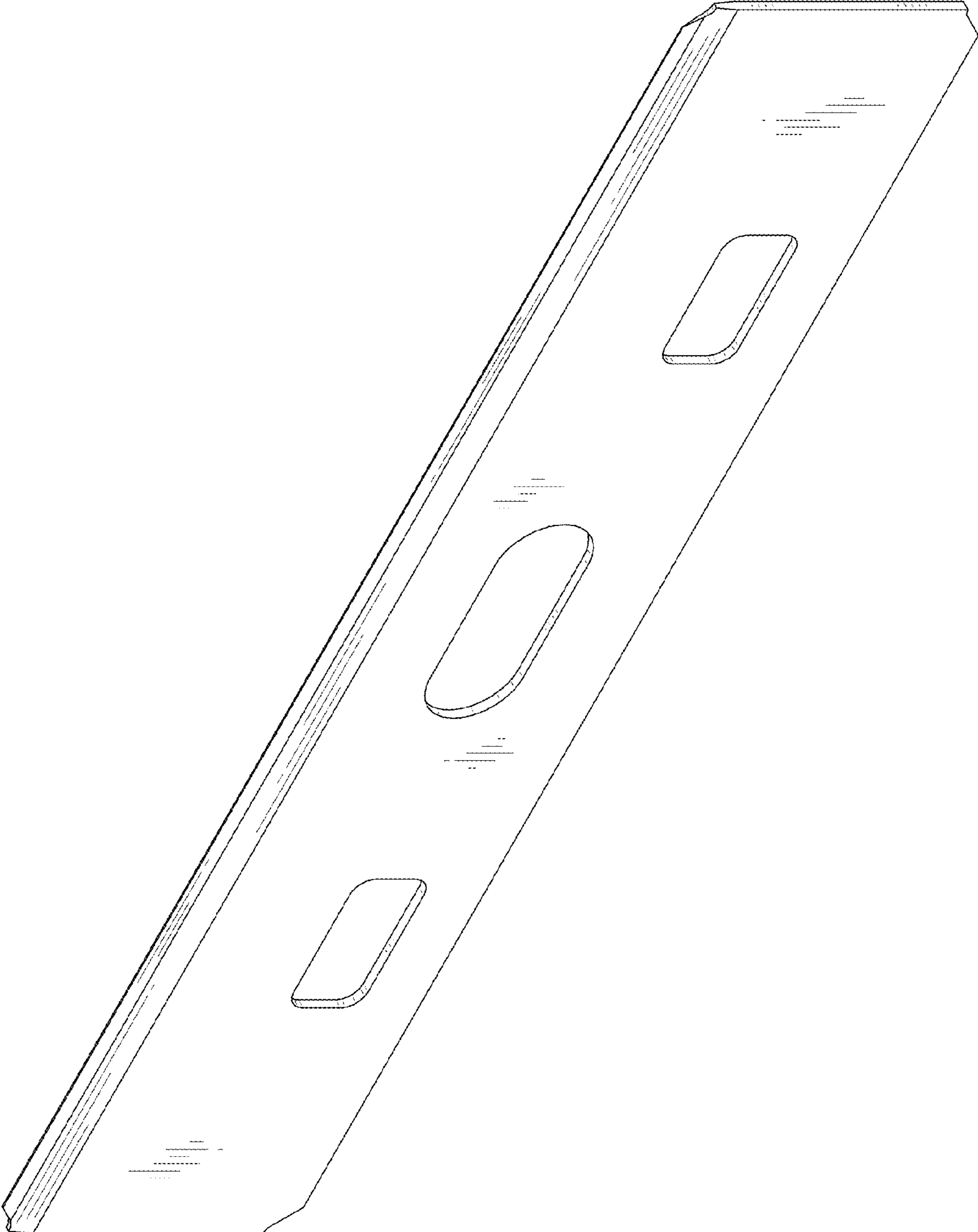


FIG.2

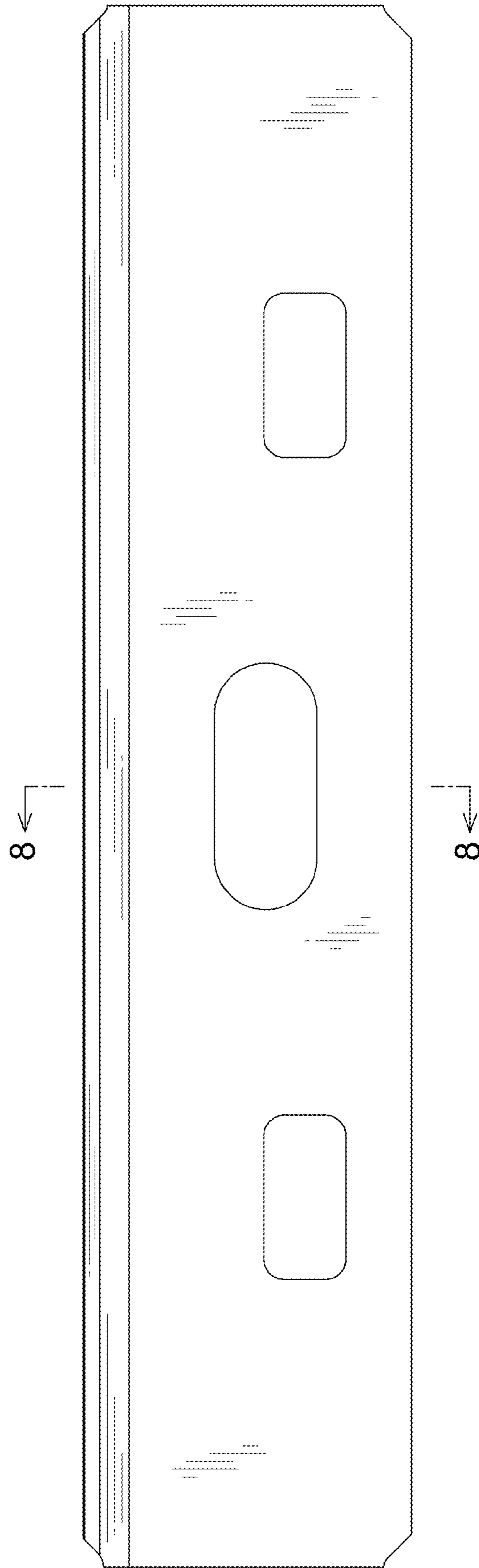


FIG.3

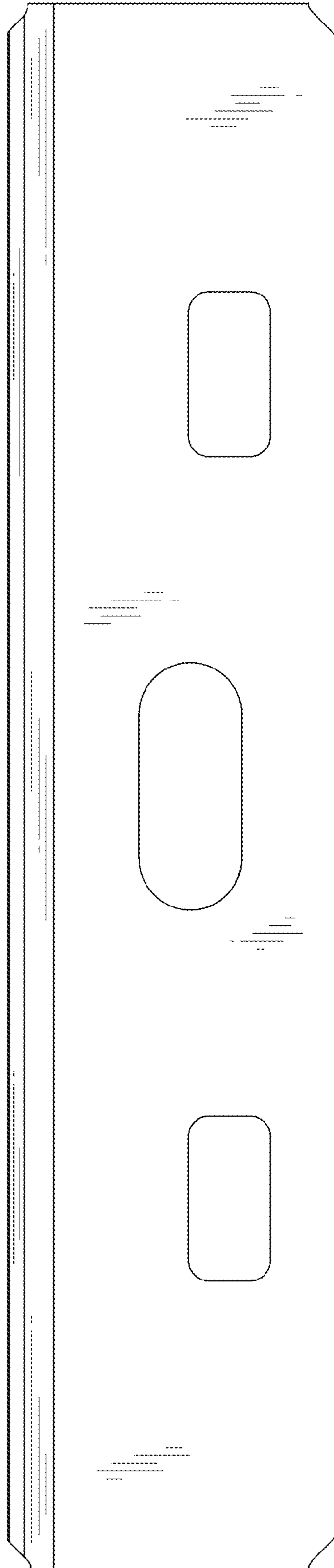


FIG.4



FIG.5

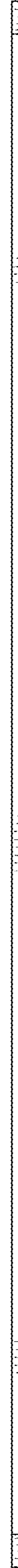


FIG.6

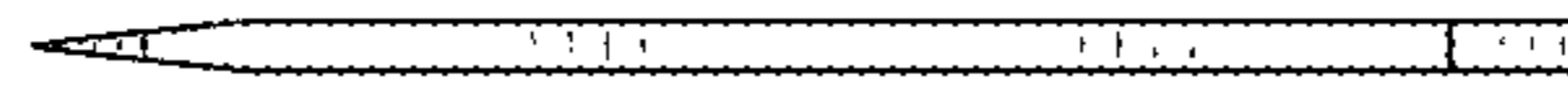


FIG.7

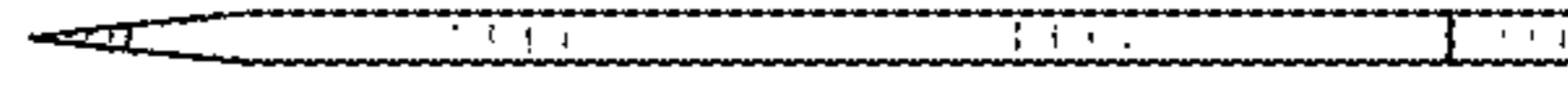


FIG.8

