



US00D948119S

(12) **United States Design Patent** (10) **Patent No.:** **US D948,119 S**
Chu (45) **Date of Patent:** **** Apr. 5, 2022**

(54) **HAIR ROLLER**
(71) Applicant: **Peng-Fei Chu**, Taipei (TW)
(72) Inventor: **Peng-Fei Chu**, Taipei (TW)
(**) Term: **15 Years**
(21) Appl. No.: **29/740,744**
(22) Filed: **Jul. 7, 2020**

(30) **Foreign Application Priority Data**
Jan. 21, 2020 (CN) 202030042661.7
(51) **LOC (13) Cl.** **28-03**
(52) **U.S. Cl.**
USPC **D28/37**
(58) **Field of Classification Search**
USPC D28/10, 12-16, 21, 25, 26, 35, 37, 99;
D8/396
CPC A45D 33/00; A45D 33/22; A45D 33/24;
A45D 29/00; A45D 20/00; A45D 20/04;
A45D 20/08; A45D 20/48; A45D
2002/005; A45D 2/12; A45D 2/14; A45D
2/04; A45D 2/06; A45D 1/00; A45D
7/02; A45D 24/34; A45D 2024/345
See application file for complete search history.

(56) **References Cited**
U.S. PATENT DOCUMENTS
3,939,852 A * 2/1976 Waite A45D 2/24
132/252
D307,650 S * 5/1990 Murdock D29/129
5,299,367 A * 4/1994 Johnson A45D 2/24
132/221
5,711,324 A * 1/1998 Johnson A45D 2/24
132/245
6,012,466 A * 1/2000 Apanasewicz A45D 2/2478
132/212
D473,128 S * 4/2003 Costa D8/396
7,513,259 B2 * 4/2009 Kimata A45D 2/10
132/245

D736,768 S * 8/2015 Kuwabara D14/344
D759,010 S * 6/2016 Fujita D14/344
D760,583 S * 7/2016 Weilage D8/396
D841,452 S * 2/2019 Conselvan D8/396
10,306,964 B1 * 6/2019 Daniels A45D 2/148
2006/0048789 A1 * 3/2006 Bird A45D 2/28
132/258
2010/0252062 A1 * 10/2010 Gregorek A45D 2/122
132/200

(Continued)

FOREIGN PATENT DOCUMENTS

WO WO-2017217730 A1 * 12/2017 A45D 2/367

Primary Examiner — Jennifer Rivard
Assistant Examiner — Alison M Ofstun
(74) *Attorney, Agent, or Firm* — Demian K. Jackson;
Jackson IPG PLLC

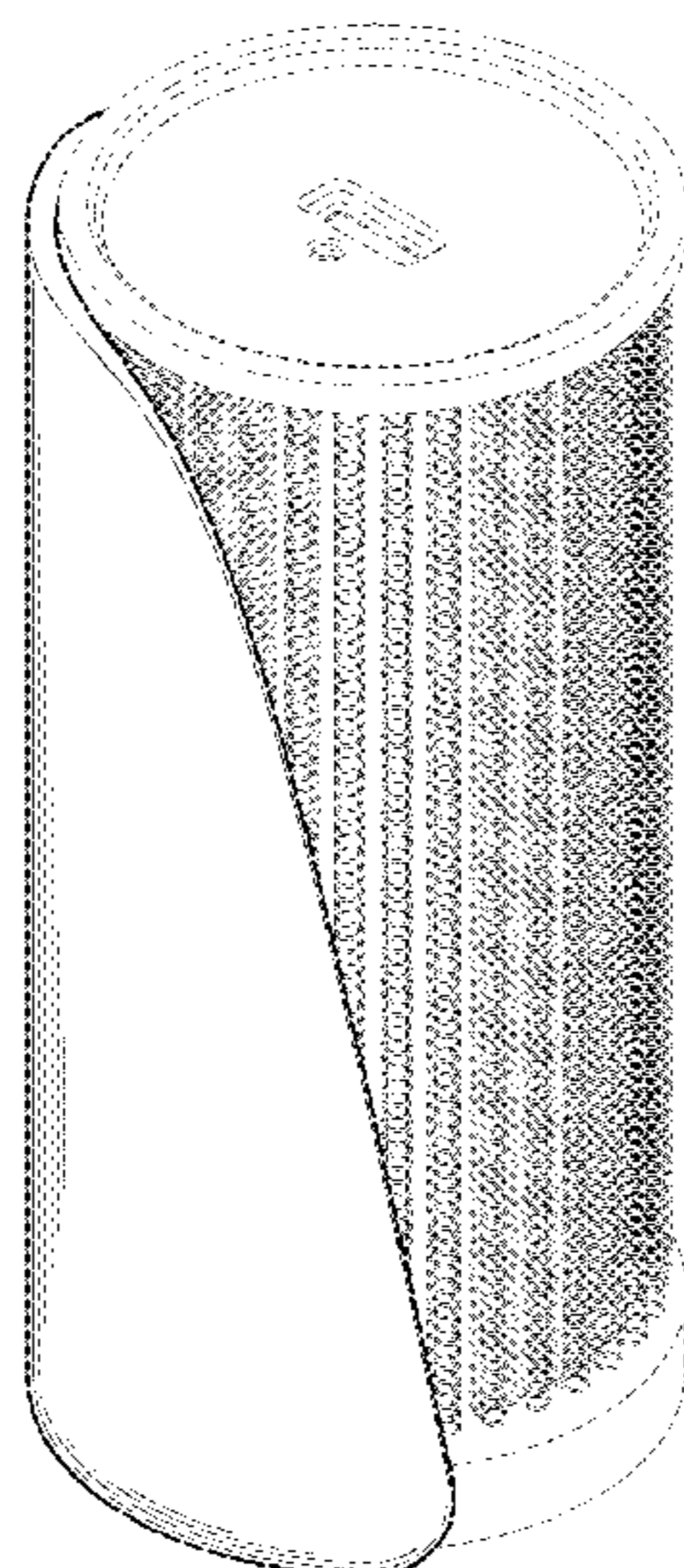
(57) **CLAIM**

The ornamental design for a hair roller, as shown and described.

DESCRIPTION

FIG. 1 is a top, front, perspective view of a hair roller, showing my new design;
FIG. 2 is a front elevational view thereof;
FIG. 3 is a rear elevational view thereof;
FIG. 4 is a left side elevational view thereof;
FIG. 5 is a right side elevational view thereof;
FIG. 6 is a top plan view thereof;
FIG. 7 is a bottom plan view thereof;
FIG. 8 is a bottom, perspective view thereof;
FIG. 9 is a top, front, perspective view thereof, shown in an open position of use; and,
FIG. 10 is a top, rear, perspective view thereof, shown in a closed position of use.
The broken lines in the figures illustrate portions of the article which form no part of the claimed design.

1 Claim, 10 Drawing Sheets



(56)

References Cited

U.S. PATENT DOCUMENTS

2019/0142129 A1* 5/2019 Powell A45D 2/2485
132/262
2020/0315310 A1* 10/2020 Johnson A45D 20/00
2021/0244151 A1* 8/2021 Chu A45D 1/04

* cited by examiner

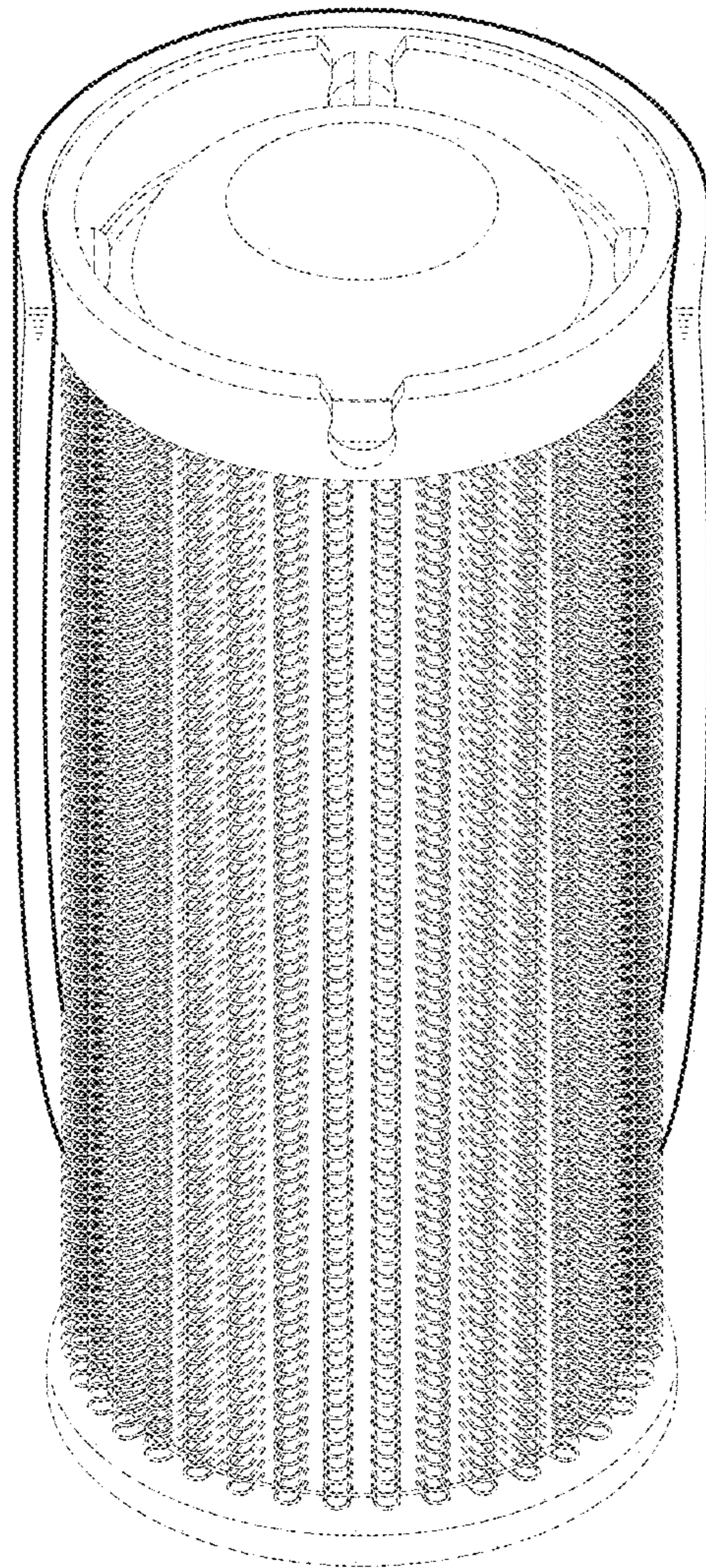


FIG.1

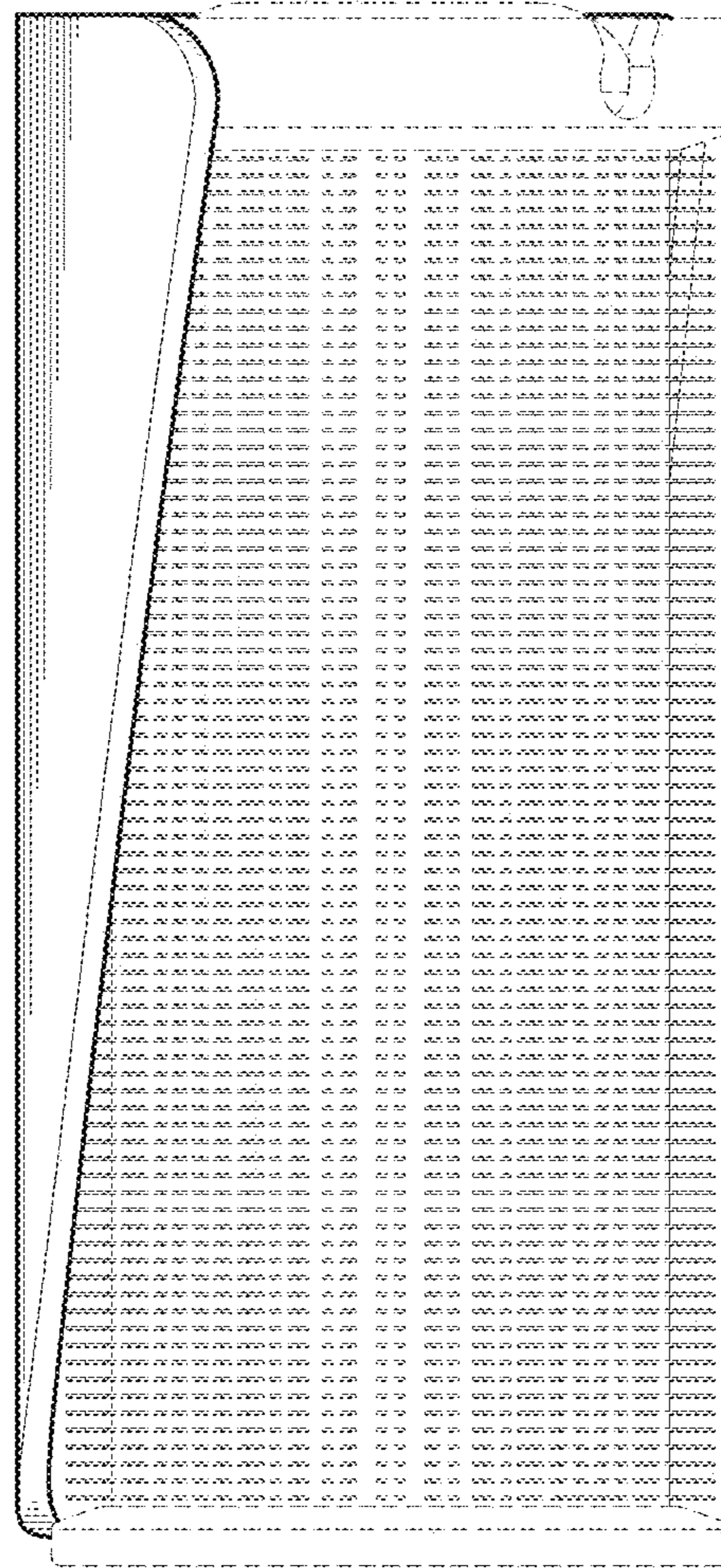


FIG. 2

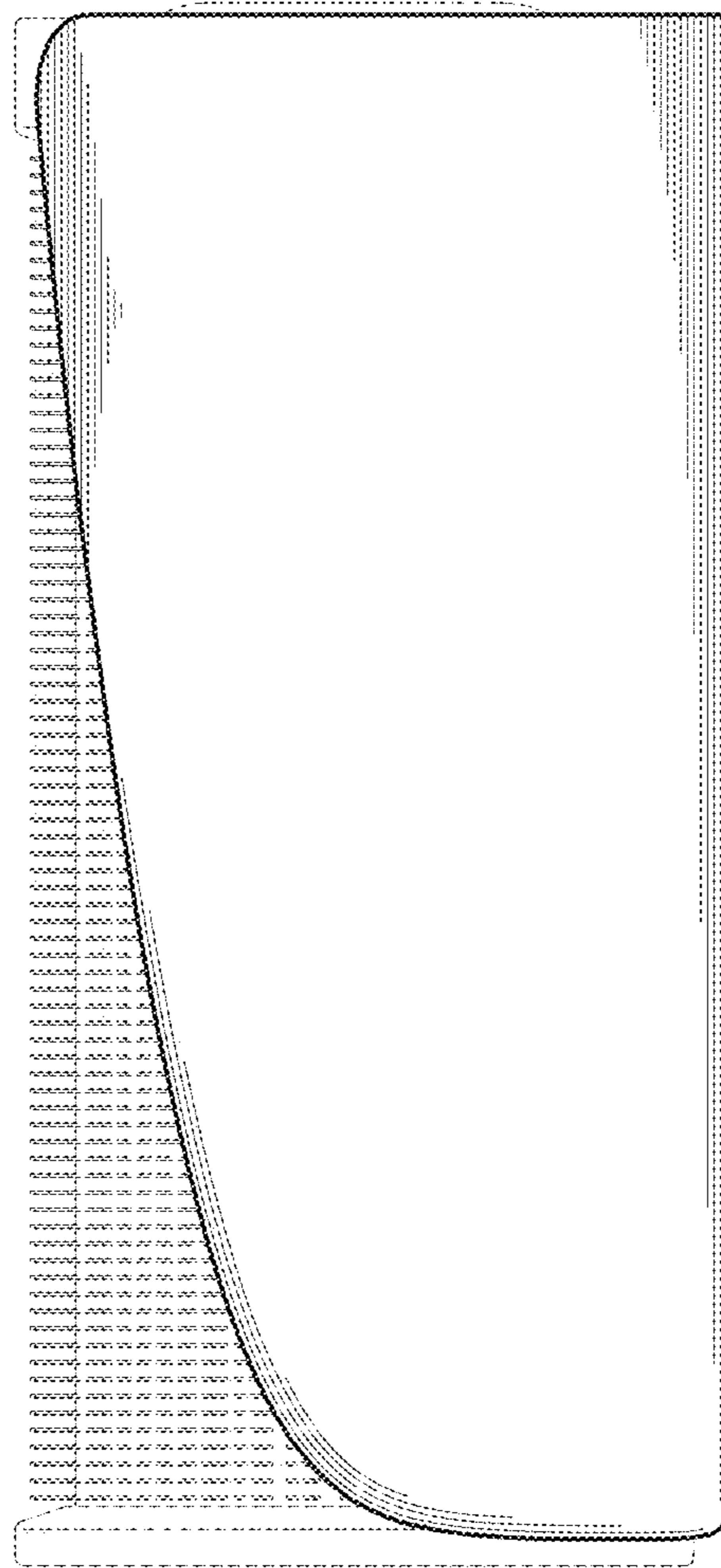


FIG.3

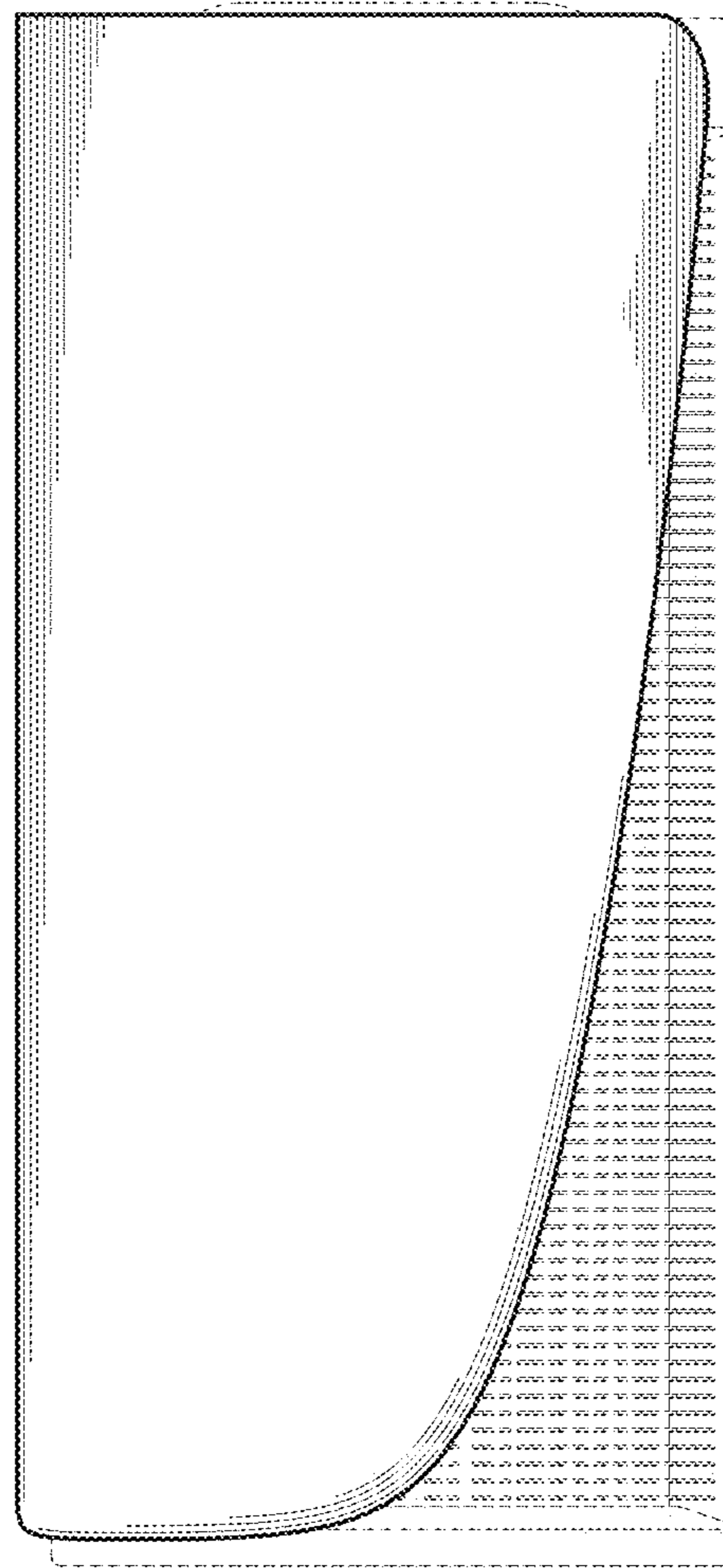


FIG.4

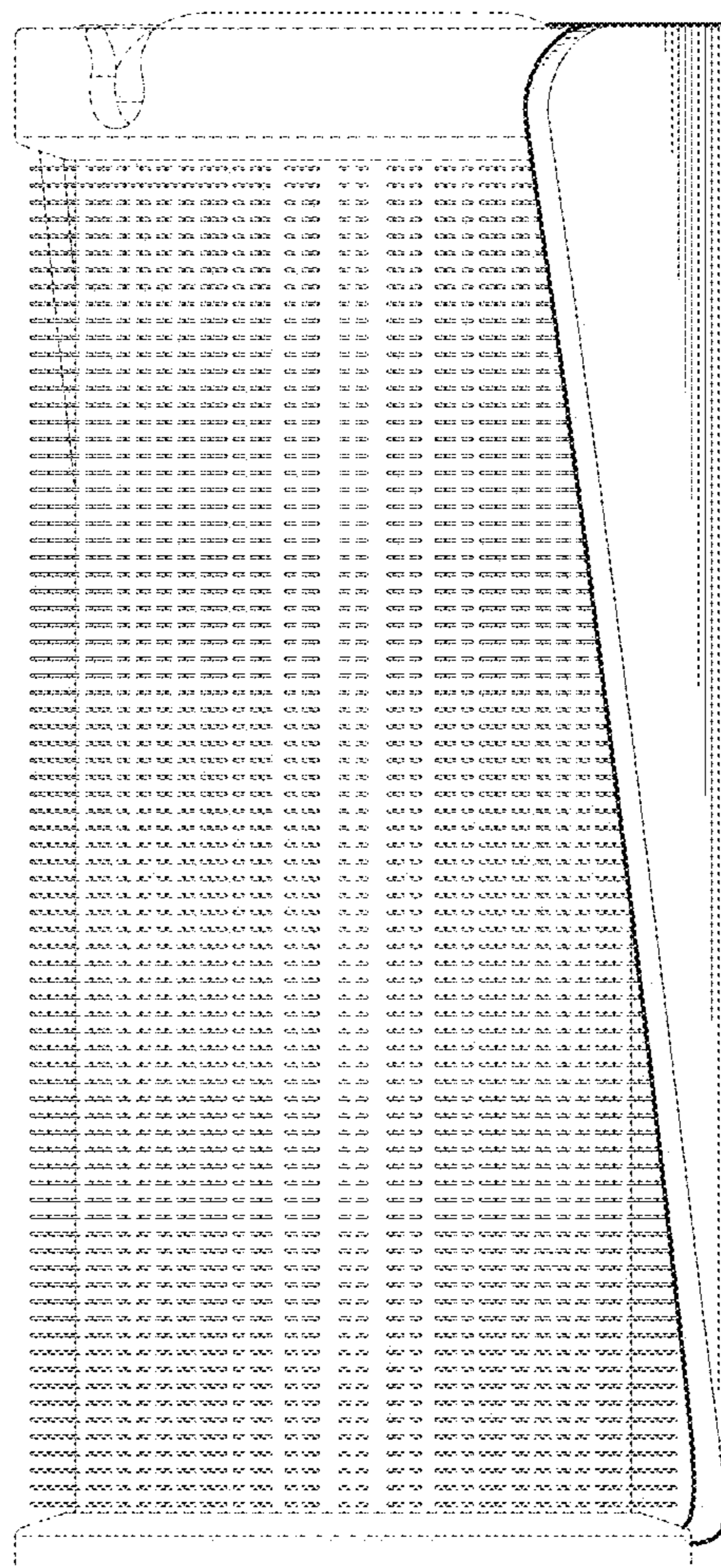


FIG. 5

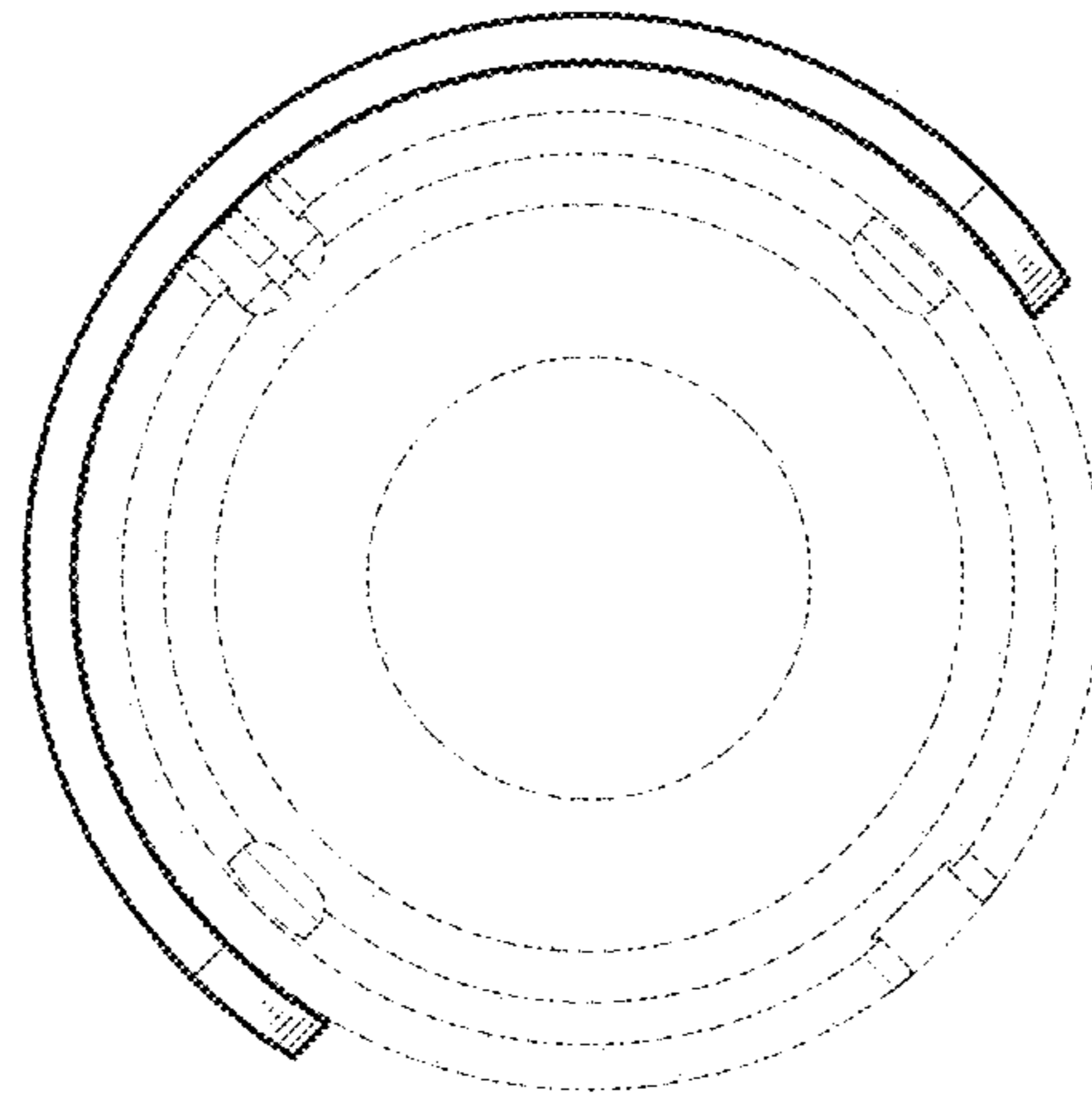


FIG.6

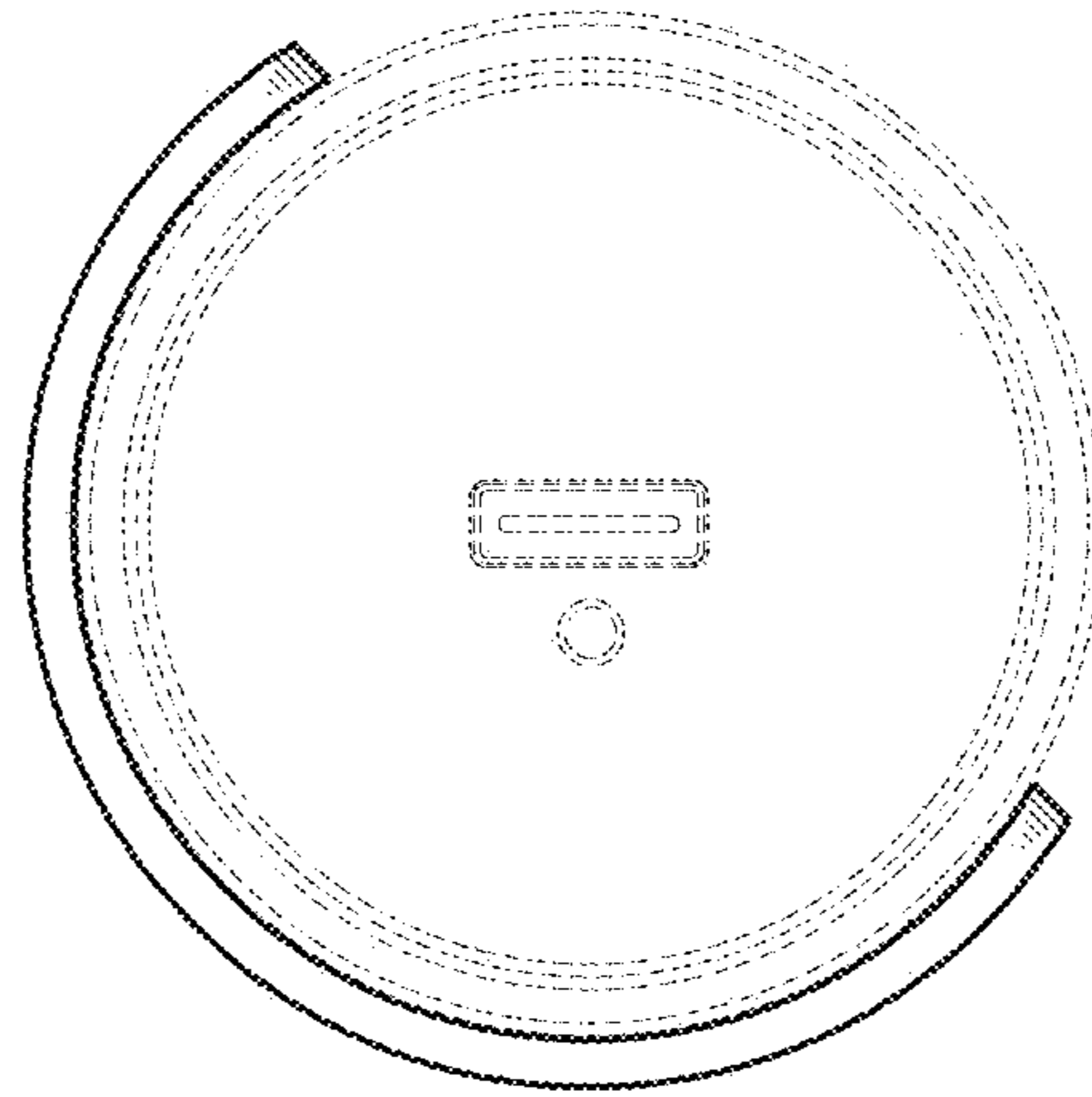


FIG. 7

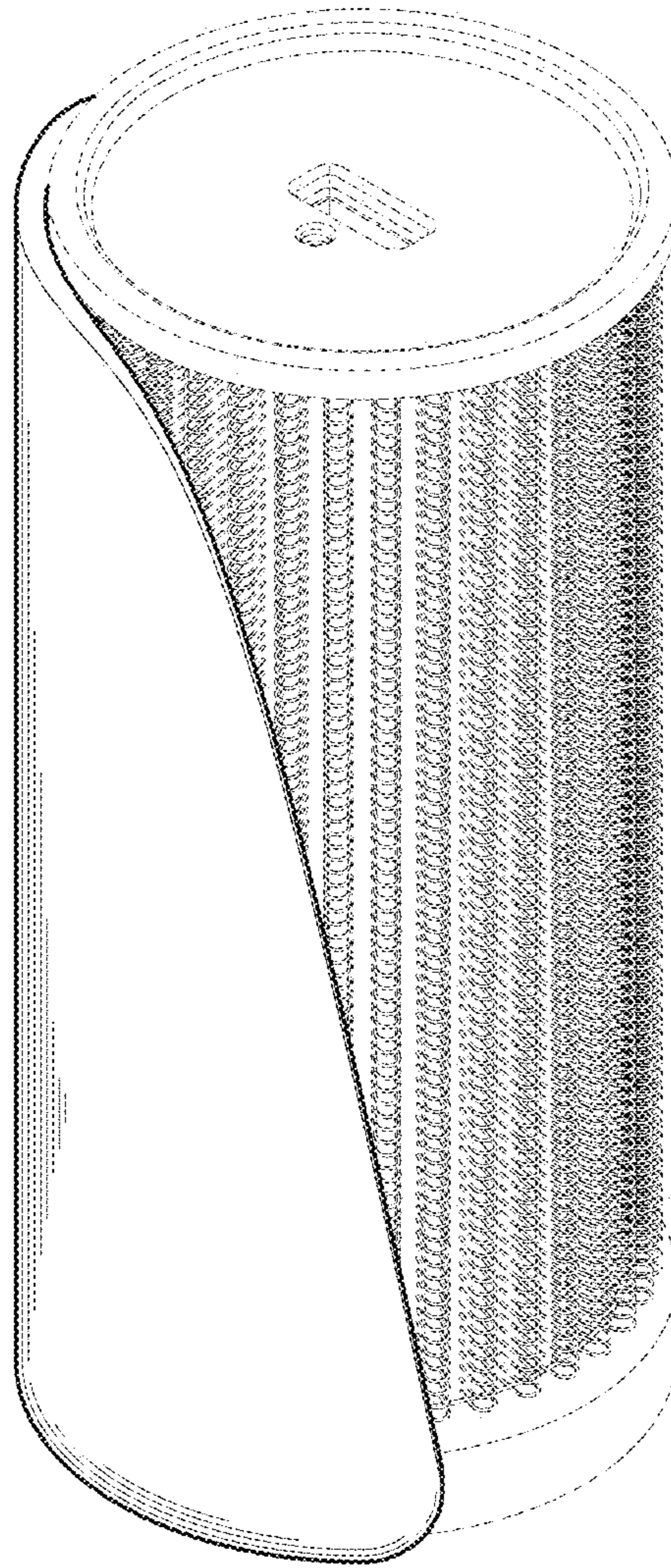


FIG.8

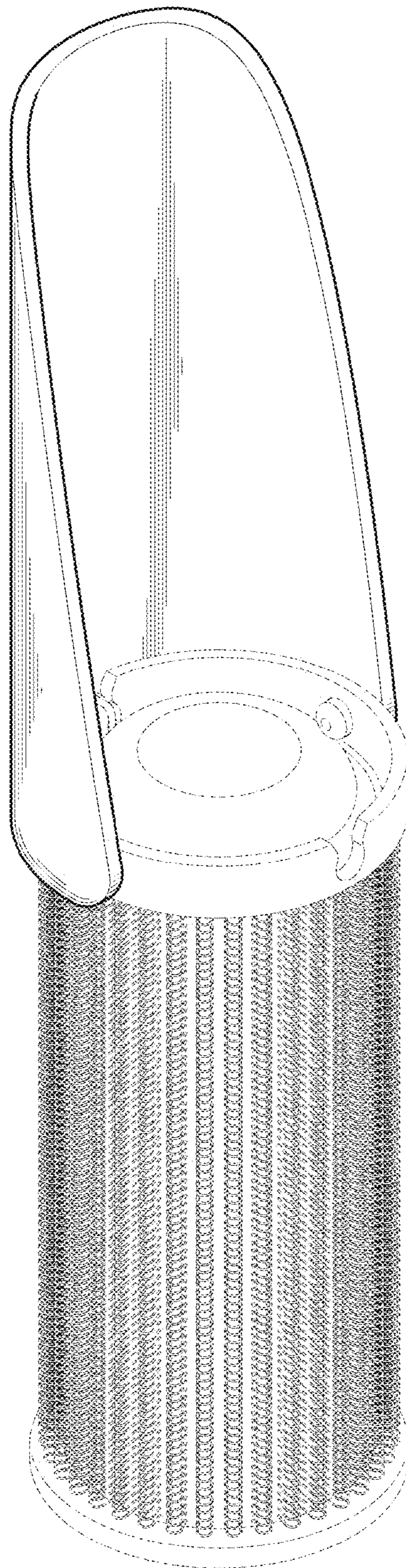


FIG.9

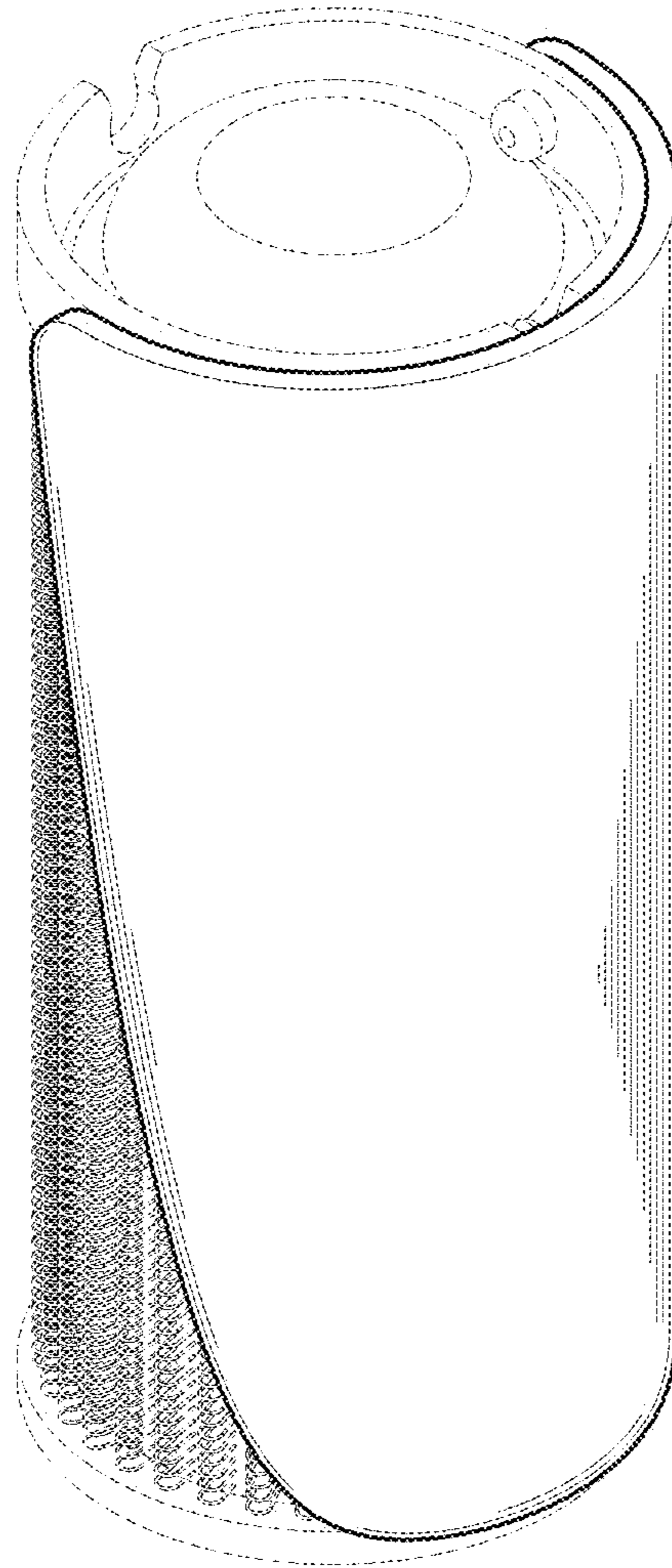


FIG.10