

US00D948118S

(12) **United States Design Patent** (10) **Patent No.:** **US D948,118 S**  
**Zhou** (45) **Date of Patent:** **\*\* \*Apr. 5, 2022**

(54) **HAIR CURLER**

(71) Applicant: **DONGGUAN KANGROAD ELECTRICAL TECHNOLOGY CO., LTD.**, Guangdong (CN)

(72) Inventor: **Yungang Zhou**, Xiantao (CN)

(73) Assignee: **DONGGUAN KANGROAD ELECTRICAL TECHNOLOGY CO., LTD.**, Guangdong (CN)

(\*) Notice: This patent is subject to a terminal disclaimer.

(\*\*) Term: **15 Years**

(21) Appl. No.: **29/656,673**

(22) Filed: **Jul. 16, 2018**

(30) **Foreign Application Priority Data**

May 15, 2018 (CN) ..... 201830222621.3

(51) **LOC (13) Cl.** ..... **28-03**

(52) **U.S. Cl.**  
USPC ..... **D28/35**

(58) **Field of Classification Search**  
USPC ..... D28/4, 9, 10, 11, 13, 35, 44.2; D6/542; D24/216; D7/306, 309; D15/199  
CPC ..... B65H 51/22; D03J 33/00; A45D 2/00; A45D 2/001; A45D 2/002; A45D 2/02; A45D 2/04; A45D 2/06; A45D 2/08; A45D 2/10; A45D 2/12-22; A45D 2/24-34; A45D 2/36-367; A45D 1/00; A45D 1/04; A45D 4/00  
See application file for complete search history.

(56) **References Cited**

**U.S. PATENT DOCUMENTS**

2,347,693 A \* 5/1944 Krasberg ..... A45D 6/045  
132/242  
4,731,519 A \* 3/1988 Dieterle ..... A45D 1/04  
132/232

D314,444 S \* 2/1991 Ho ..... D28/35  
D580,097 S \* 11/2008 Leung ..... D28/35  
D629,563 S \* 12/2010 Mau ..... D28/35  
D736,464 S \* 8/2015 Fernandes da Costa ..... D28/35  
9,149,101 B2 \* 10/2015 Richmond ..... A45D 7/02  
D748,331 S \* 1/2016 Prats ..... D28/35  
D786,506 S \* 5/2017 Ceva ..... D28/35  
D816,270 S \* 4/2018 Yue ..... D28/35  
D821,031 S \* 6/2018 Feng ..... D28/35  
D833,676 S \* 11/2018 Lee ..... D28/35  
2008/0236609 A1 \* 10/2008 Wong ..... A45D 1/04  
132/224  
2012/0111357 A1 \* 5/2012 Amkie ..... A45D 1/04  
132/230  
2013/0240498 A1 \* 9/2013 Tang ..... A45D 1/04  
219/225  
2013/0306099 A1 \* 11/2013 Lam ..... A45D 1/04  
132/211  
2014/0144458 A1 \* 5/2014 Hein ..... A45D 1/04  
132/226

(Continued)

*Primary Examiner* — Jennifer Rivard  
*Assistant Examiner* — Alison M Ofstun

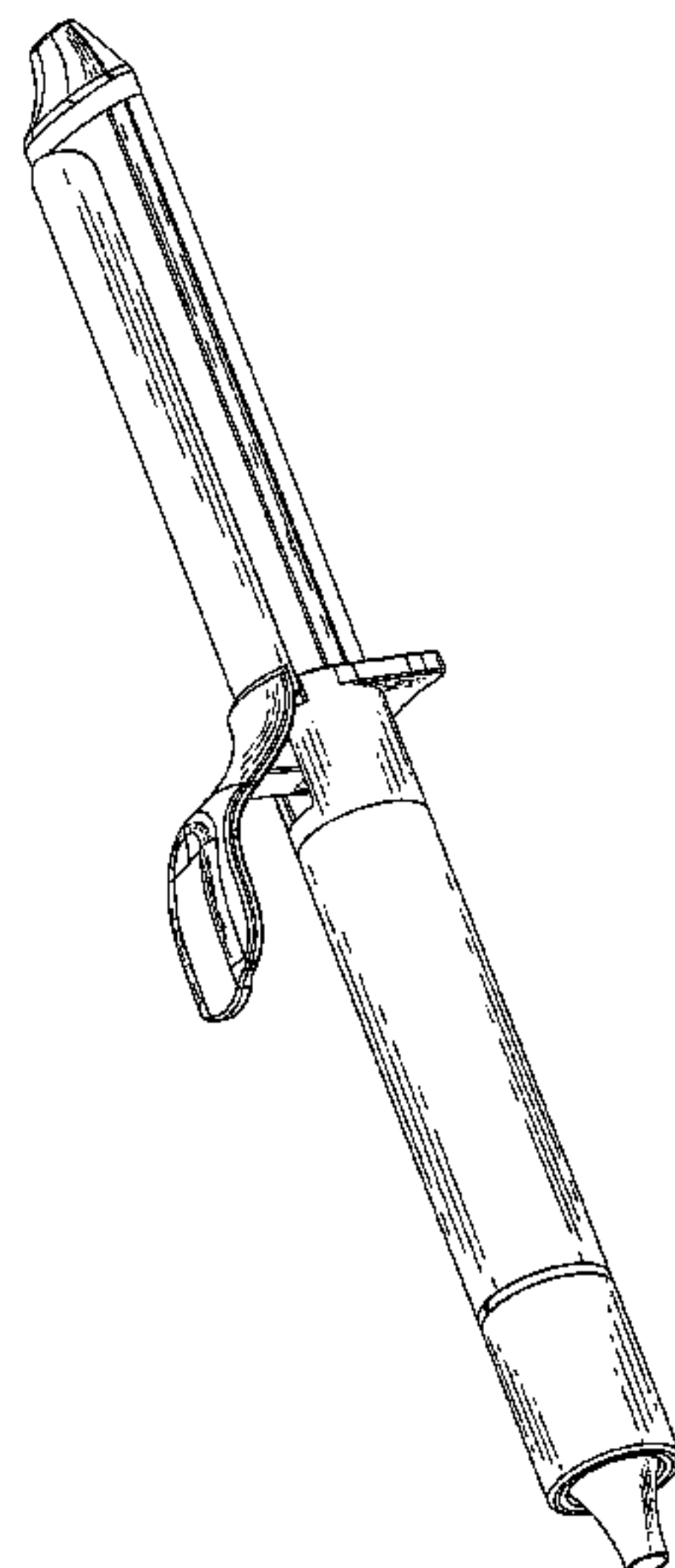
(57) **CLAIM**

The ornamental design for a hair curler, as shown and described.

**DESCRIPTION**

FIG. 1 is a perspective view of a hair curler showing my new design;  
FIG. 2 is a front elevation view thereof;  
FIG. 3 is a rear elevation view thereof;  
FIG. 4 is a left side elevation view thereof;  
FIG. 5 is a right side elevation view thereof;  
FIG. 6 is an enlarged top plan view thereof; and,  
FIG. 7 is an enlarged bottom plan view thereof.

**1 Claim, 7 Drawing Sheets**



(56)

**References Cited**

U.S. PATENT DOCUMENTS

2018/0070694 A1\* 3/2018 Feng ..... A45D 1/04  
2018/0168309 A1\* 6/2018 Chelle ..... A45D 1/16

\* cited by examiner

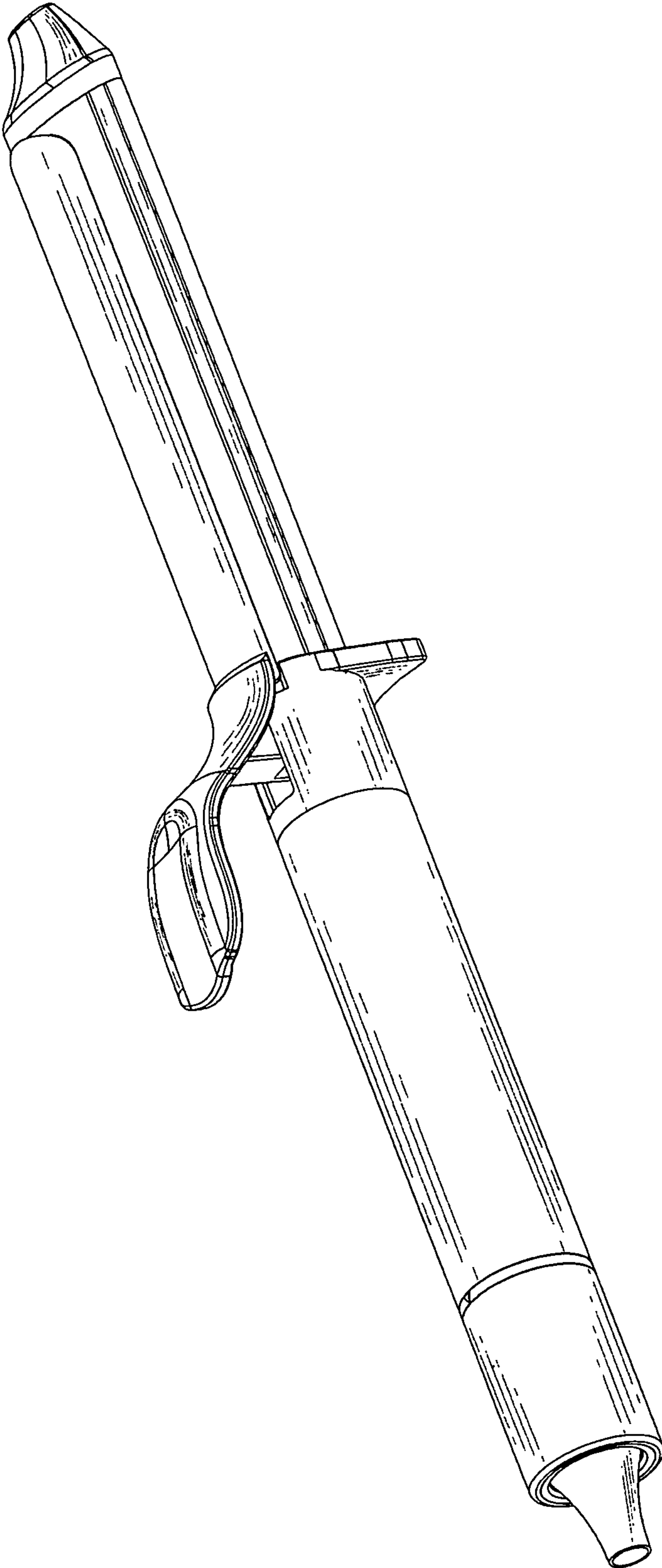


FIG.1

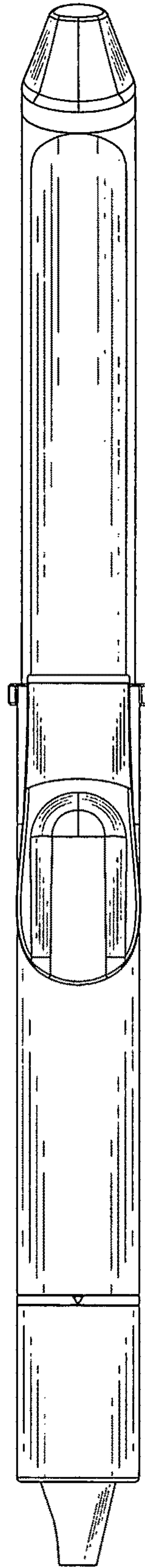


FIG.2



FIG.3

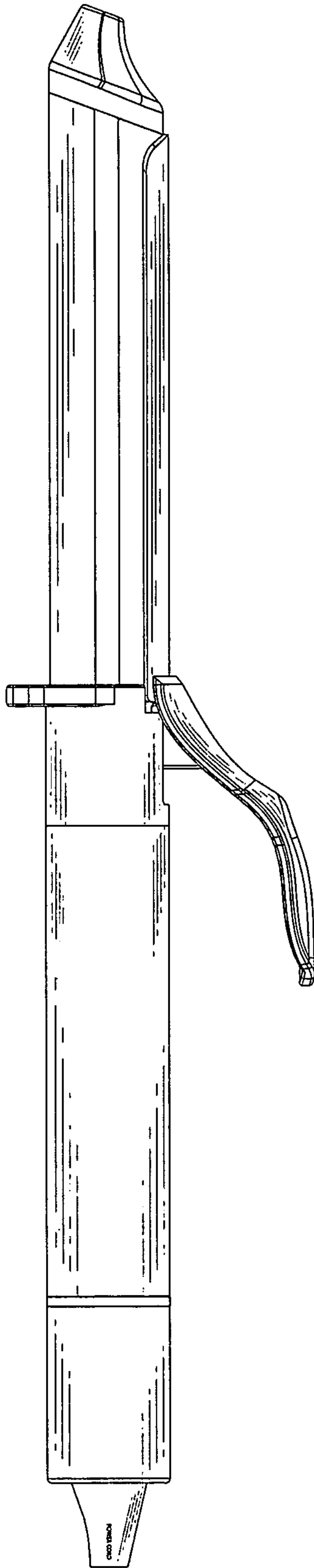


FIG. 4

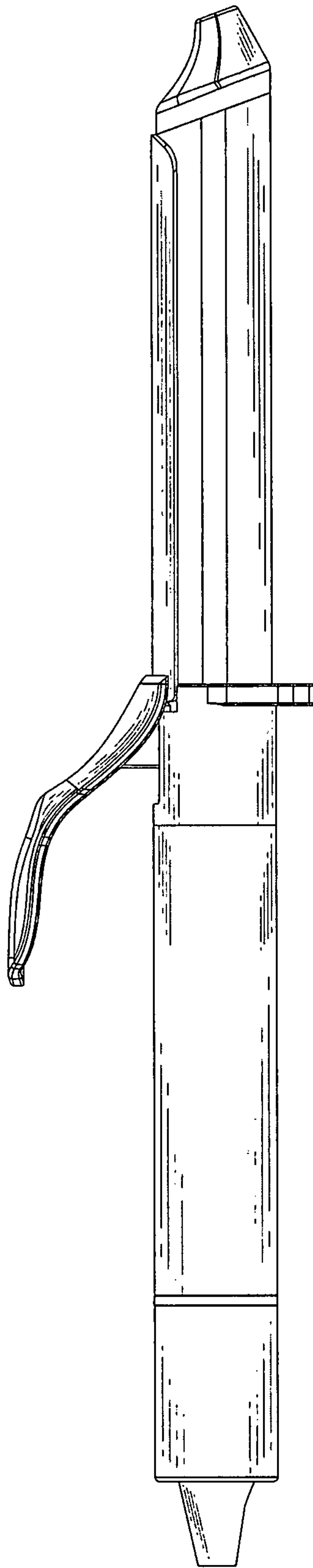


FIG.5

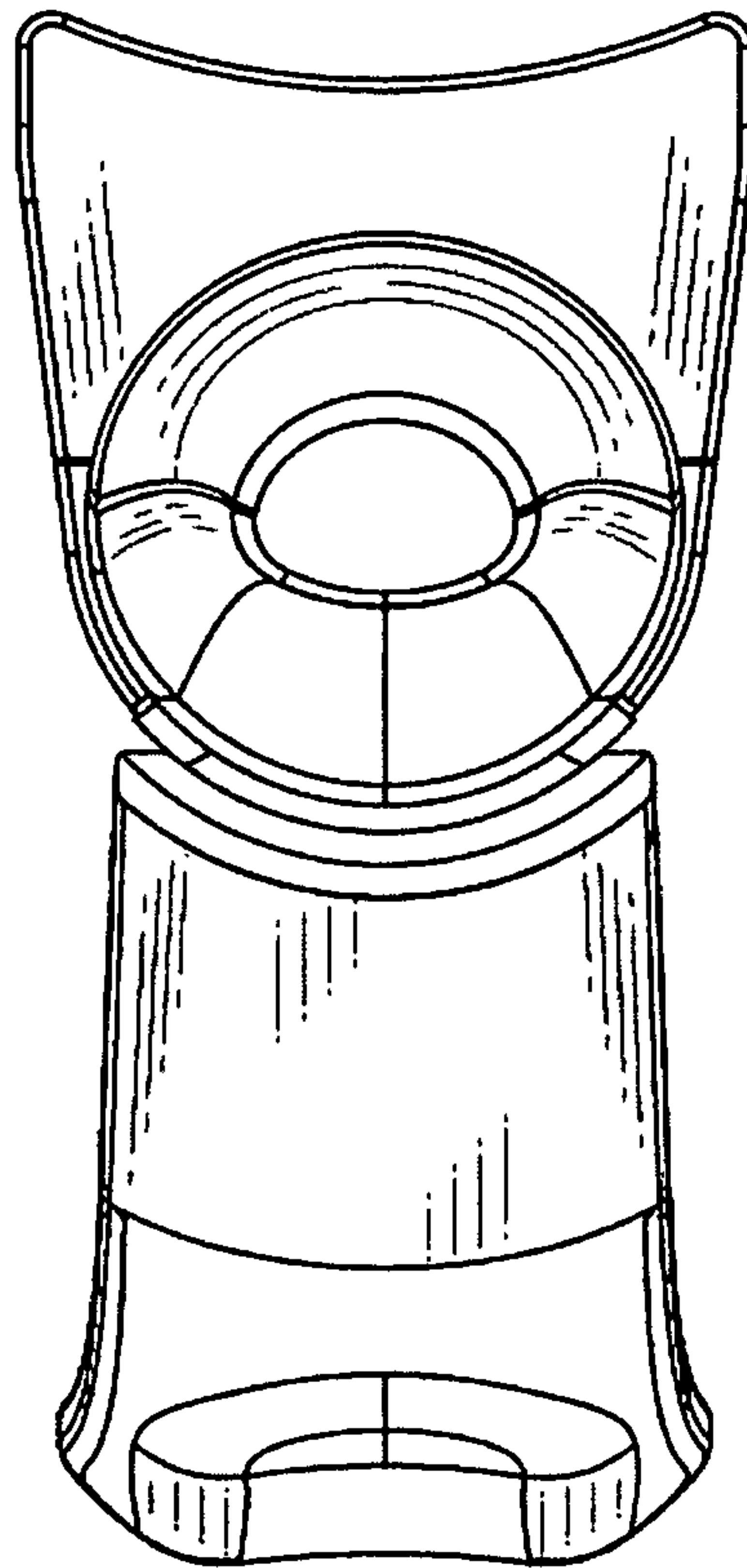


FIG.6



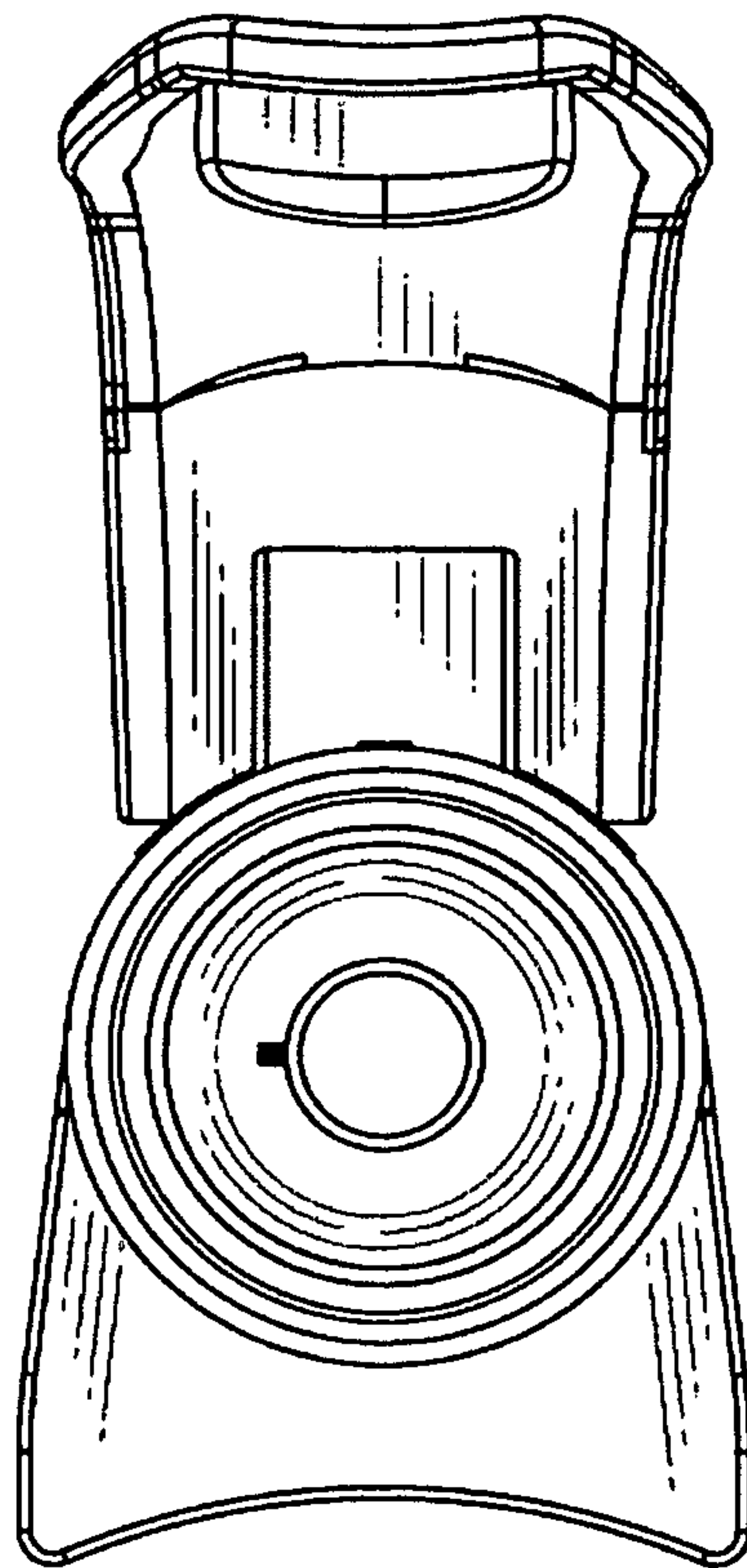


FIG. 7