



US00D948117S

(12) **United States Design Patent**  
**Lin**

(10) **Patent No.:** **US D948,117 S**

(45) **Date of Patent:** **\*\* Apr. 5, 2022**

(54) **HAIR DRYER**

(71) Applicant: **Enterecos (Guangdong) Technologies Co. Ltd.,** Zhongshan (CN)

(72) Inventor: **Hanyong Lin,** Zhongshan (CN)

(73) Assignee: **ENTERECOS (GUANGDONG) TECHNOLOGIES CO. LTD.,** Zhongshan (CN)

(\*\*) Term: **15 Years**

(21) Appl. No.: **29/752,813**

(22) Filed: **Sep. 29, 2020**

(51) **LOC (13) Cl.** ..... **28-03**

(52) **U.S. Cl.**  
USPC ..... **D28/13**

(58) **Field of Classification Search**  
USPC ..... D28/12-19; D8/29.1  
CPC ..... A45D 20/00; A45D 20/04; A45D 20/08;  
A45D 20/10; A45D 20/12; A45D  
2020/128  
See application file for complete search history.

(56) **References Cited**

**U.S. PATENT DOCUMENTS**

D247,630 S \* 3/1978 Wistrand ..... D28/13  
4,132,360 A \* 1/1979 Lee, Jr. .... A45D 20/124  
239/383

D782,733 S \* 3/2017 Smith ..... D28/13  
D850,001 S \* 5/2019 Coulton ..... D28/18  
D853,637 S \* 7/2019 Coulton ..... D28/18  
D901,768 S \* 11/2020 Ceva ..... D28/13  
D903,194 S \* 11/2020 Huang ..... D28/13  
D914,973 S \* 3/2021 Huang ..... D28/13  
D933,291 S \* 10/2021 Huang ..... D28/13  
D935,094 S \* 11/2021 Zhou ..... D28/13

\* cited by examiner

*Primary Examiner* — Zenia I Bennett

(74) *Attorney, Agent, or Firm* — McClure, Qualey & Rodack, LLP

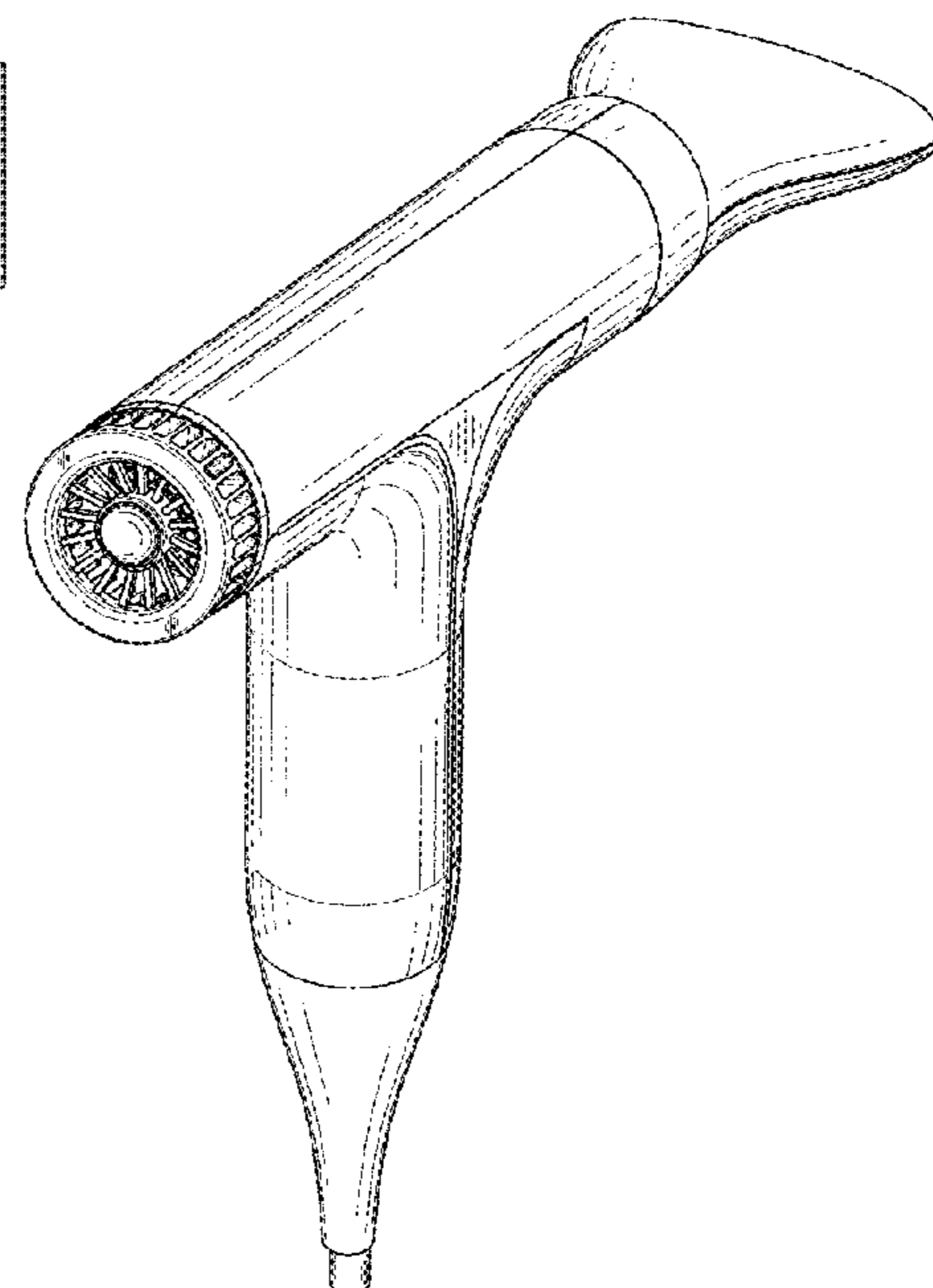
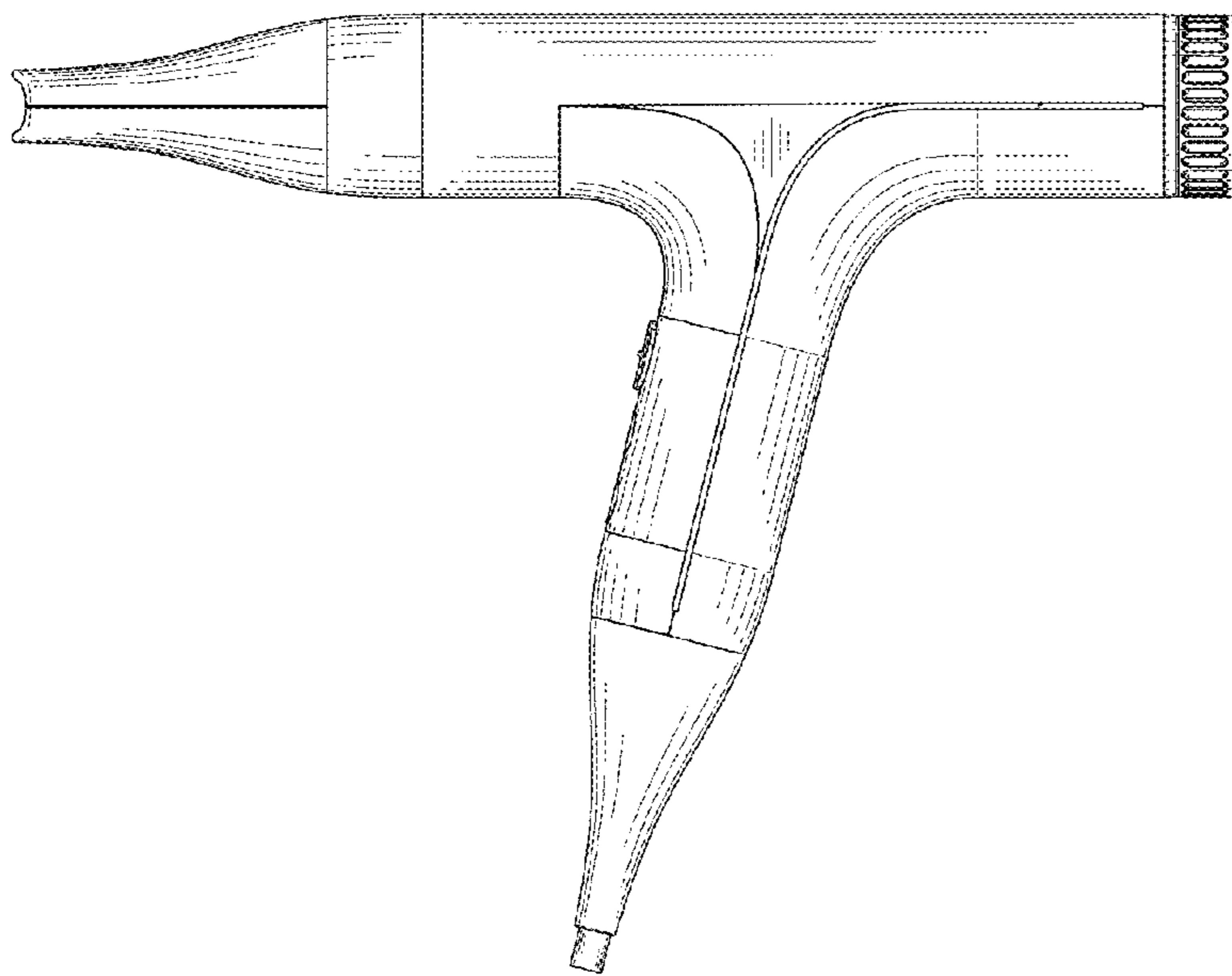
(57) **CLAIM**

The ornamental design for a hair dryer, as shown and described.

**DESCRIPTION**

FIG. 1 is a perspective view of a hair dryer;  
FIG. 2 is a front elevational view thereof;  
FIG. 3 is a rear elevational view thereof;  
FIG. 4 is a left side elevational view thereof;  
FIG. 5 is a right side elevational view thereof;  
FIG. 6 is a top plan view thereof;  
FIG. 7 is a bottom plan view thereof; and,  
FIG. 8 is another perspective view of the hair dryer.  
The broken lines shown in FIG. 4 and FIG. 5 illustrate portions of the hair dryer that form no part of the claimed design.

**1 Claim, 8 Drawing Sheets**



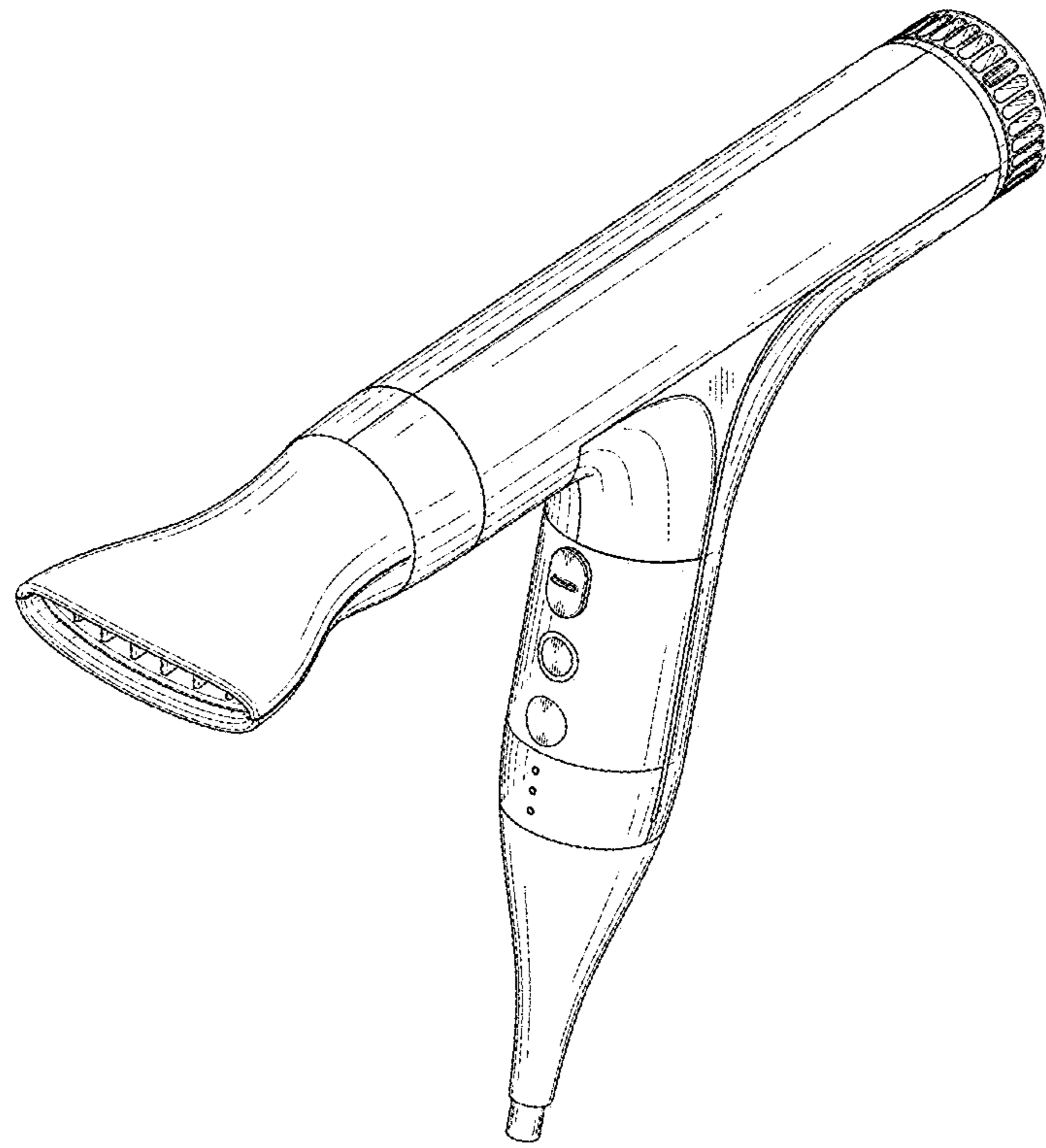


FIG.1

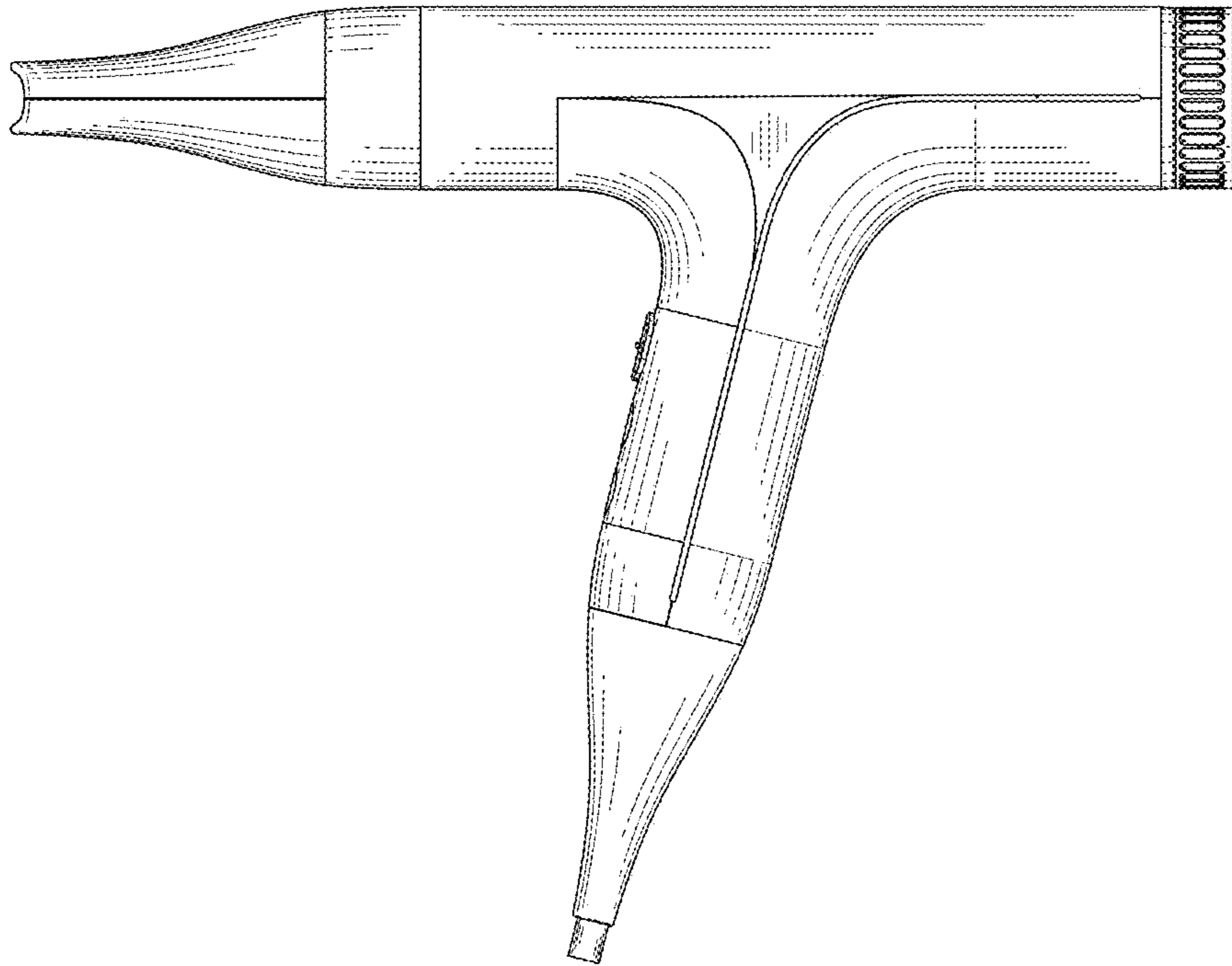


FIG.2

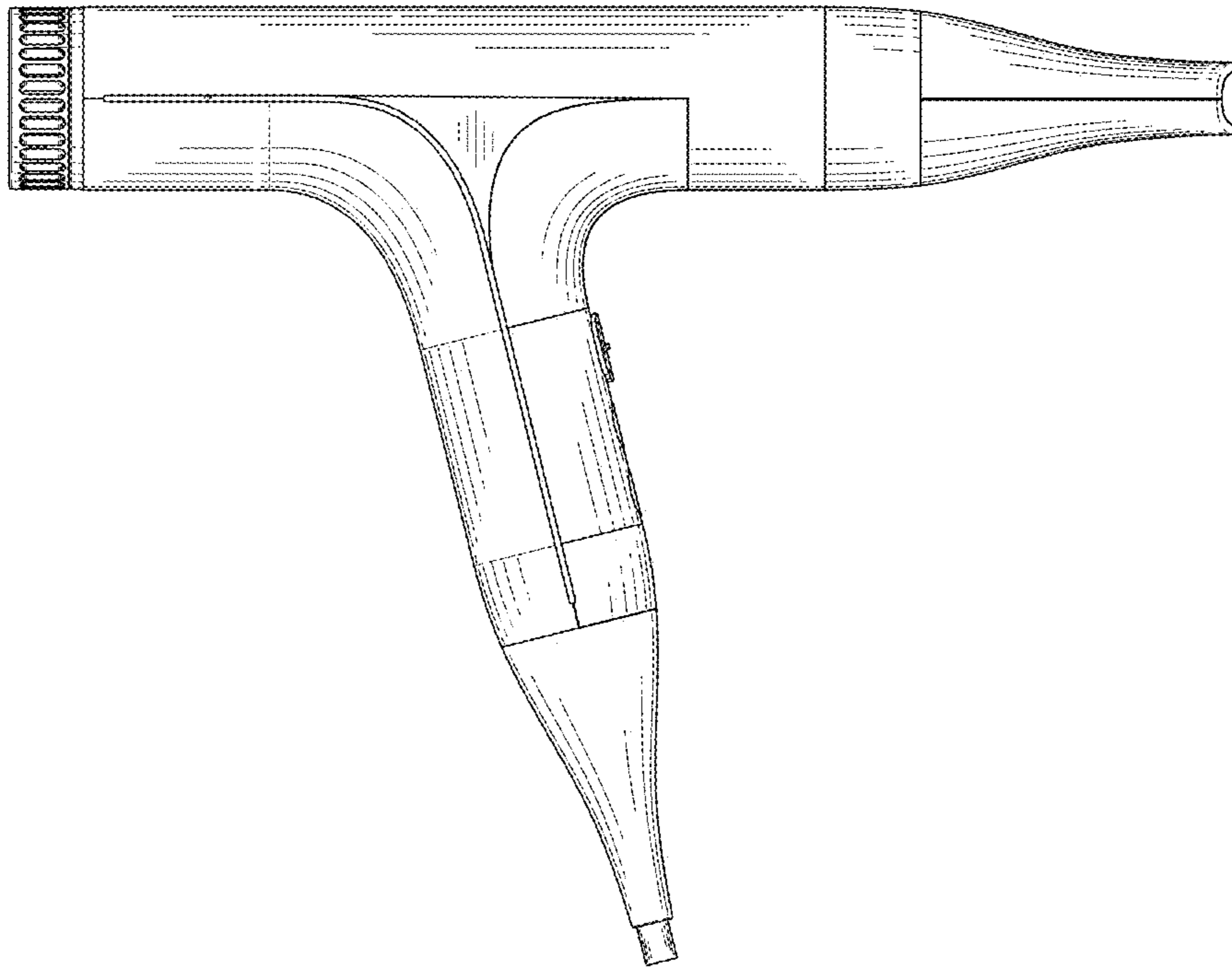


FIG.3

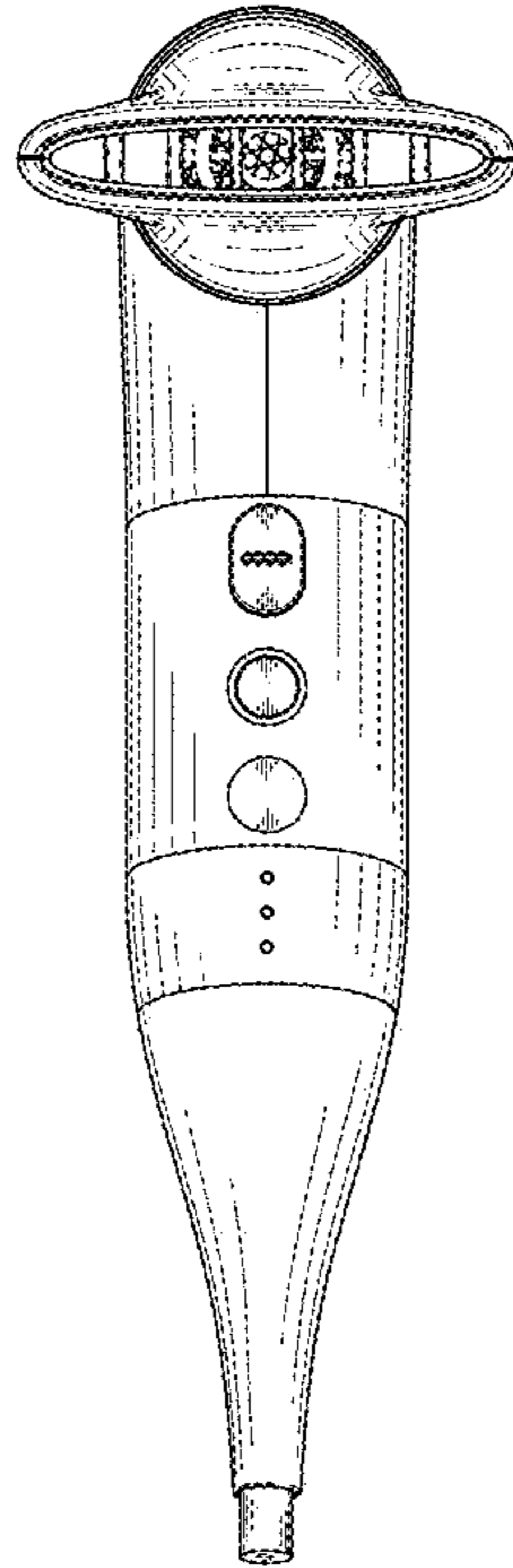


FIG.4

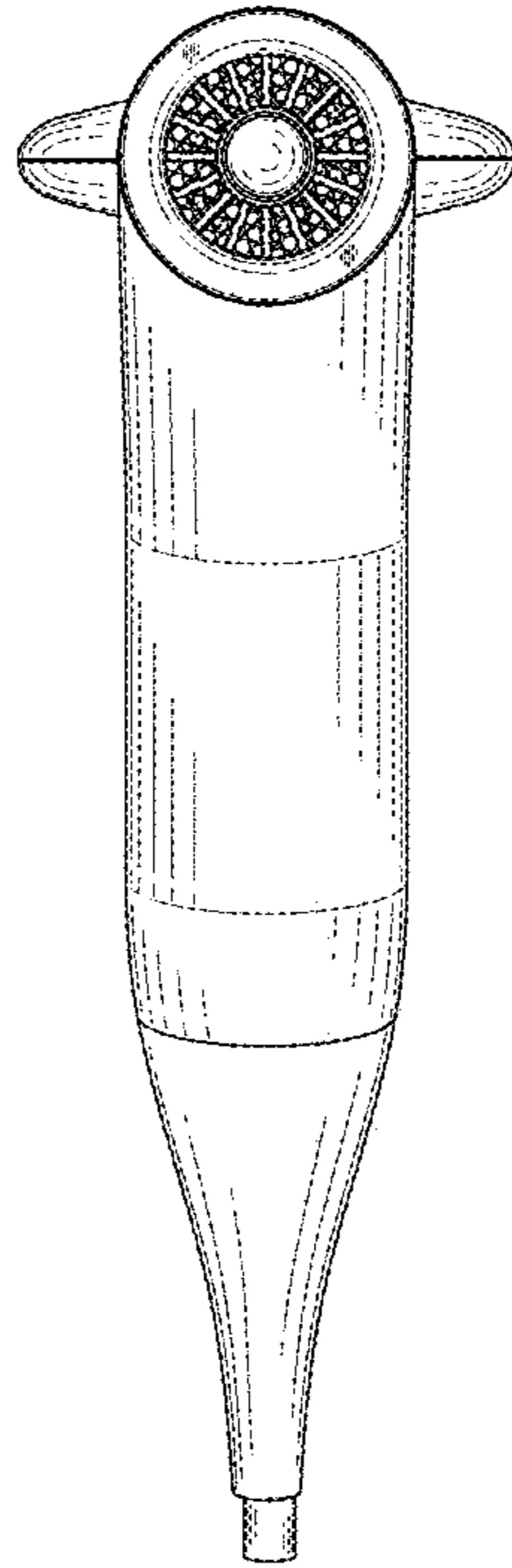


FIG.5

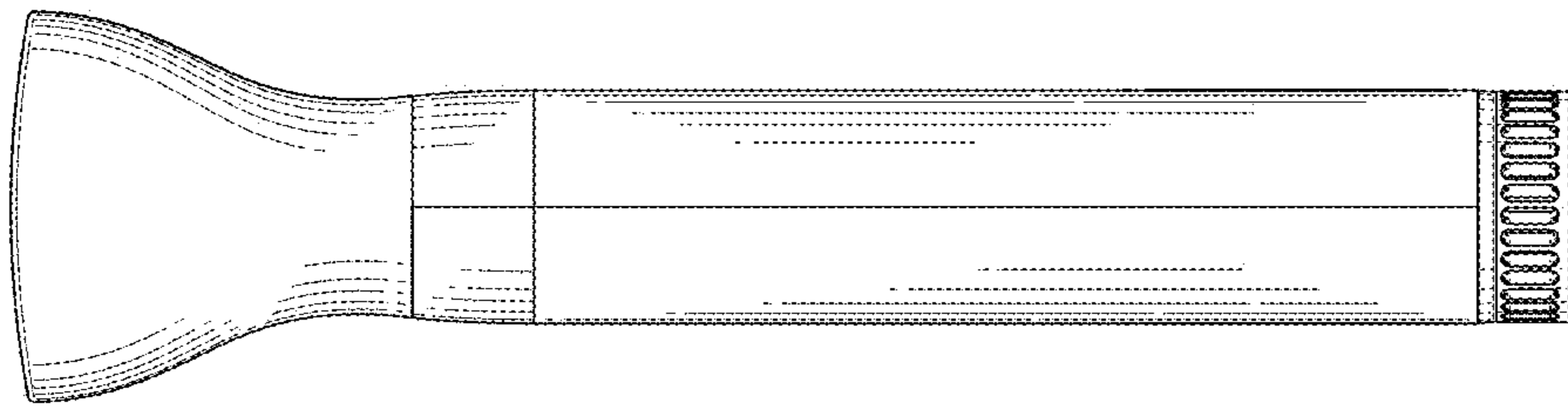


FIG.6

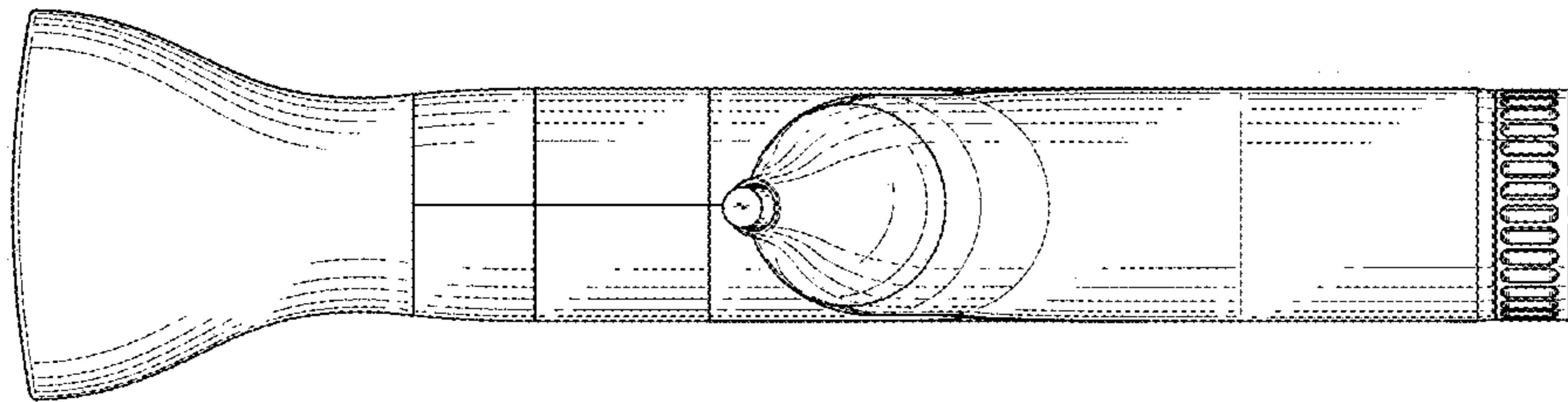


FIG.7



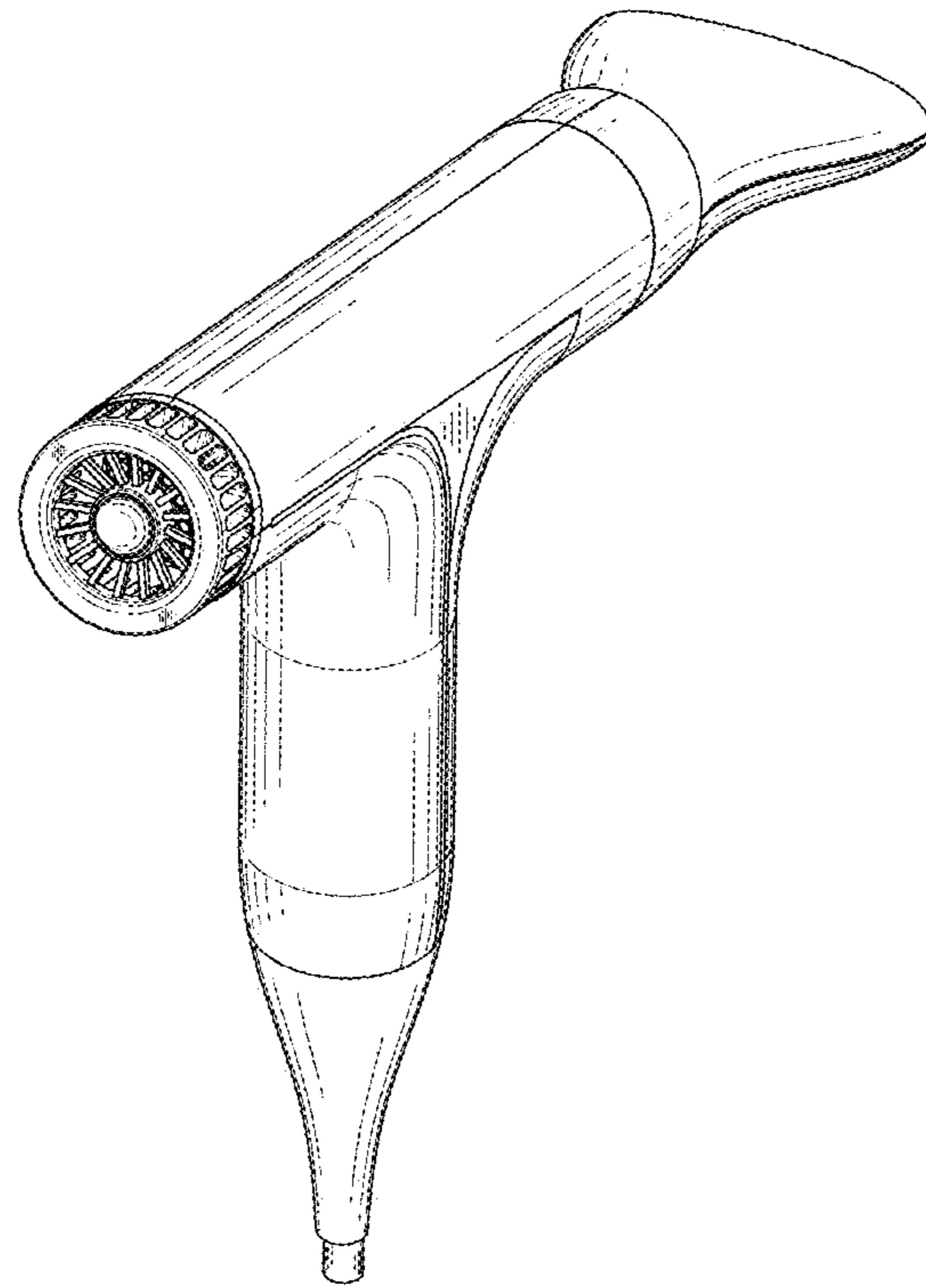


FIG.8