



US00D948116S

(12) **United States Design Patent**
Jackson

(10) **Patent No.:** **US D948,116 S**

(45) **Date of Patent:** **** Apr. 5, 2022**

- (54) **MAKEUP REMOVAL STICK**
- (71) Applicant: **Nettquanta Jackson**, Orlando, FL (US)
- (72) Inventor: **Nettquanta Jackson**, Orlando, FL (US)
- (**) Term: **15 Years**
- (21) Appl. No.: **29/722,101**
- (22) Filed: **Jan. 27, 2020**
- (51) **LOC (13) Cl.** **28-03**
- (52) **U.S. Cl.**
USPC **D28/9**
- (58) **Field of Classification Search**
USPC D28/7, 9, 99; D24/119
CPC A45D 2200/1054; A45D 2200/1063
See application file for complete search history.

- D927,063 S * 8/2021 Roh D28/7
- D928,309 S * 8/2021 Aagaard D24/119
- 2011/0126371 A1* 6/2011 Koehl A61F 13/38
15/210.1
- 2018/0289129 A1* 10/2018 Kosmach A45D 33/008
- 2019/0091112 A1* 3/2019 Matsushita A45D 33/36

* cited by examiner

Primary Examiner — Zenia I Bennett
(74) *Attorney, Agent, or Firm* — Sanchelima & Associates, P.A.; Christian Sanchelima; Jesus Sanchelima

(57) **CLAIM**

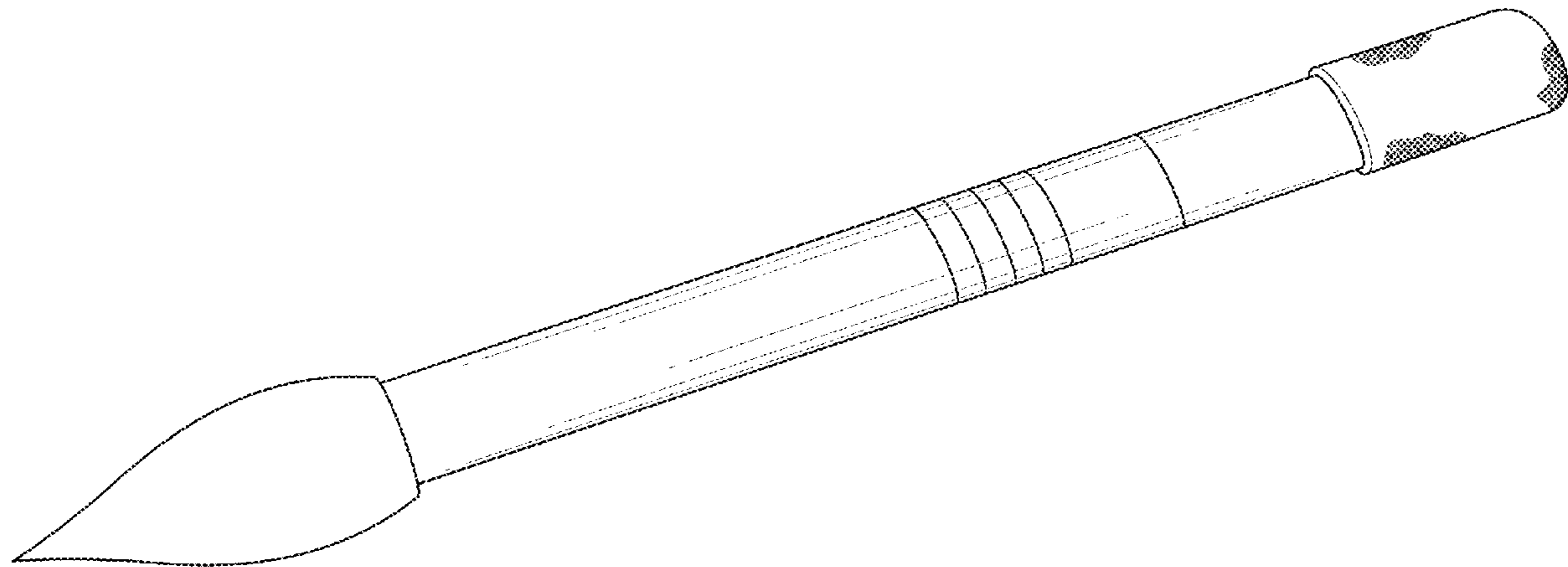
The ornamental design for a makeup removal stick, as shown and described.

DESCRIPTION

FIG. 1 is an isometric view of a makeup removal stick showing my new design;
FIG. 2 is a front elevational view thereof;
FIG. 3 is a rear elevational view thereof;
FIG. 4 is a left side elevational view thereof;
FIG. 5 is a right elevational view thereof;
FIG. 6 is a top plan view thereof; and,
FIG. 7 is a bottom plan view thereof showing my design.

1 Claim, 6 Drawing Sheets

- (56) **References Cited**
U.S. PATENT DOCUMENTS
- 5,623,942 A * 4/1997 Pestes A61B 10/02
600/562
- D560,800 S * 1/2008 Curtis D24/119
- D679,003 S * 3/2013 Jupin D24/119
- D785,238 S * 4/2017 Silva D28/7
- D852,413 S * 6/2019 Staab D28/7
- D856,515 S * 8/2019 Zu D24/146
- D857,291 S * 8/2019 Xiang D28/7
- D919,883 S * 5/2021 Shen D28/7



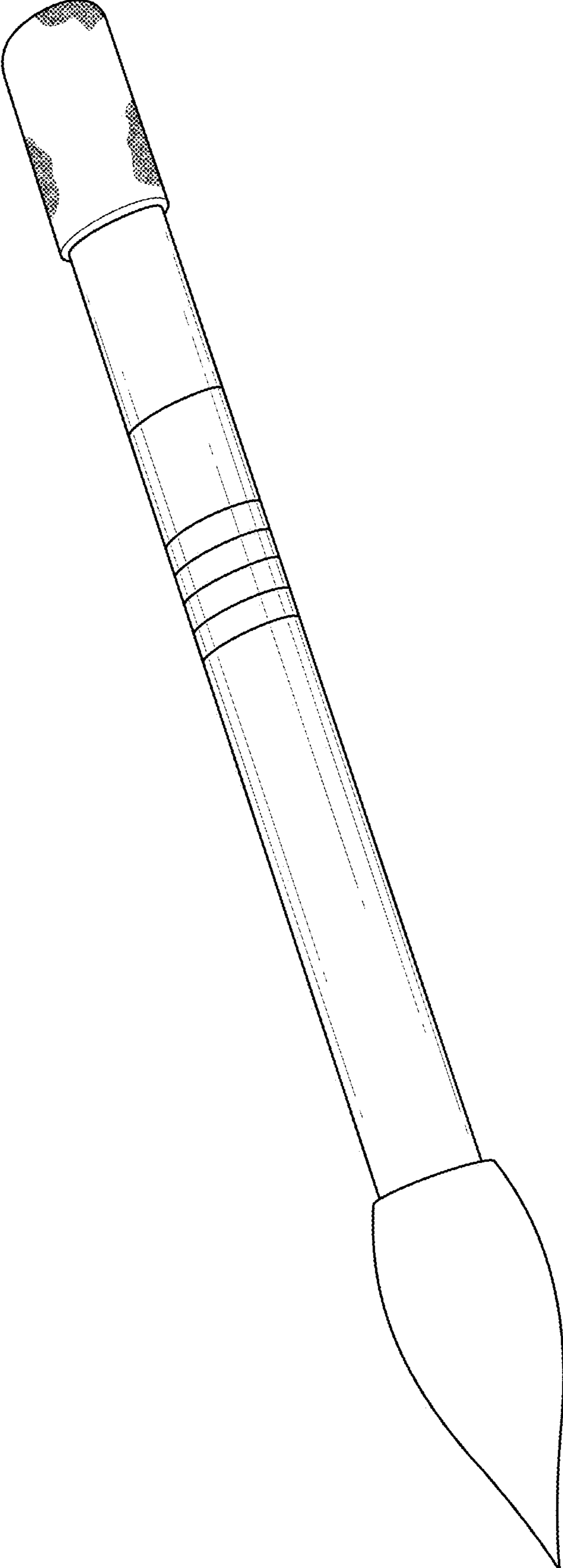


FIG. 1

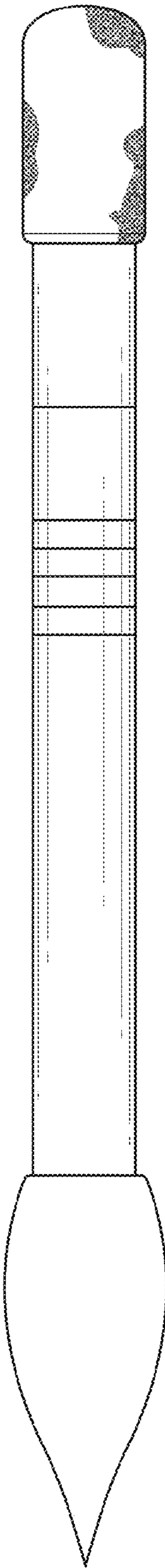


FIG. 2

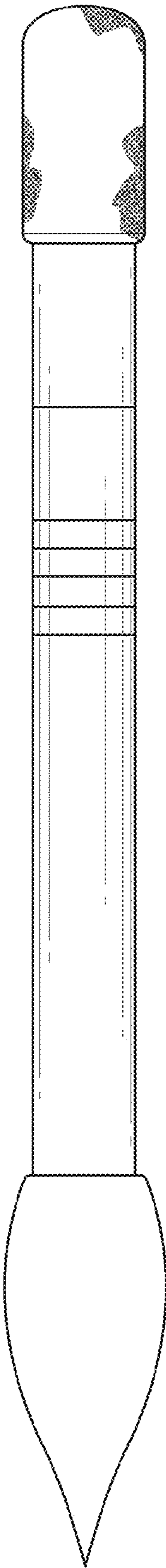


FIG. 3

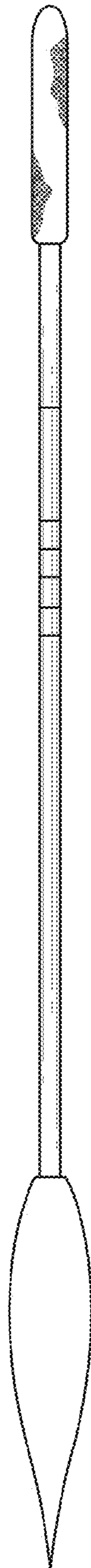


FIG. 4

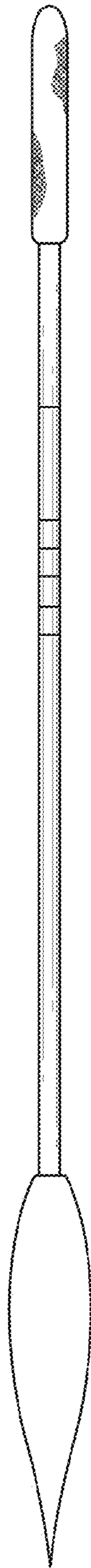


FIG. 5

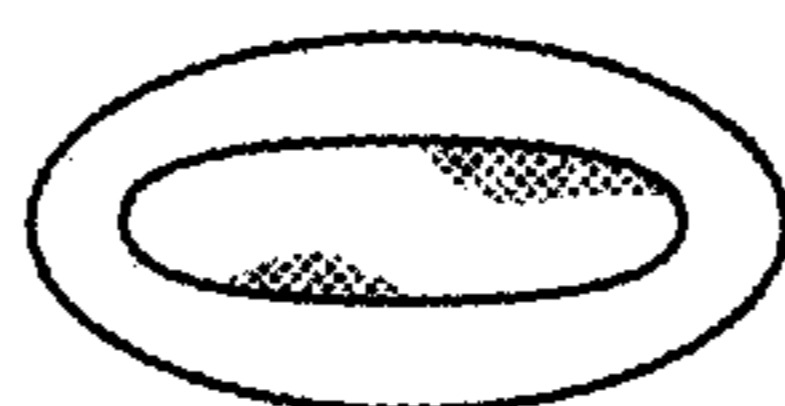


FIG. 6

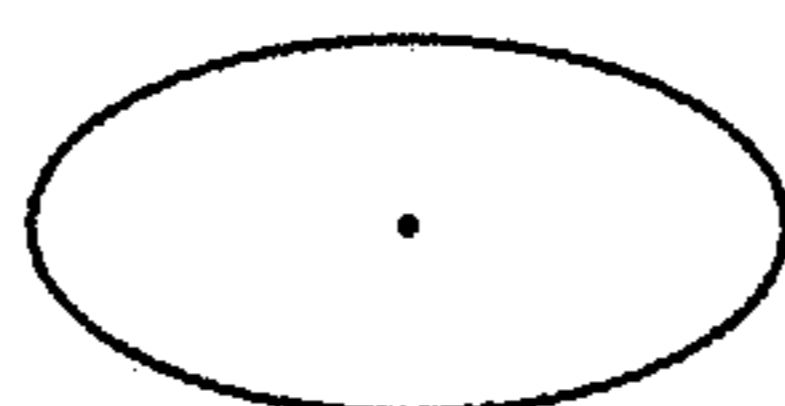


FIG. 7