



US00D948114S

(12) **United States Design Patent** (10) **Patent No.:** **US D948,114 S**
Feldman (45) **Date of Patent:** **** Apr. 5, 2022**

(54) **CASE FOR SMOKING ARTICLES**
(71) Applicant: **Todd Wayne Feldman**, New York, NY (US)
(72) Inventor: **Todd Wayne Feldman**, New York, NY (US)
(73) Assignee: **FREEMINDED CORP.**, New York, NY (US)

D398,071 S * 9/1998 Perkins D27/187
D408,099 S * 4/1999 Putnam D27/190
D409,330 S * 5/1999 Putnam D27/190
D416,353 S * 11/1999 Fink D27/133
D452,346 S * 12/2001 Storlie D27/136
D541,165 S * 4/2007 Rashid D27/190
D578,251 S * 10/2008 Bertuzzi D27/189
D579,149 S * 10/2008 Bertuzzi D27/189
D621,951 S * 8/2010 Bucholtz D24/224
D670,858 S * 11/2012 Fakhouri D27/189
D677,832 S * 3/2013 Fastuca D27/189

(Continued)

(**) Term: **15 Years**

(21) Appl. No.: **29/734,574**

(22) Filed: **May 13, 2020**

(51) **LOC (13) Cl.** **27-06**

(52) **U.S. Cl.**
USPC **D27/172**

(58) **Field of Classification Search**
USPC D27/100, 101, 102, 103, 105, 113, 114, D27/118, 125, 127, 128, 137, 138, 142, D27/144, 161, 162, 163, 164, 165, 166, D27/167, 168, 169, 170, 171, 172, 173, D27/174, 175, 176, 177, 178, 179, 180, D27/181, 182, 183, 184, 185, 186, 187, D27/188, 189, 190, 191, 192, 193, 194, D27/195, 196; D23/360, 362; D28/91.1; D24/110, 110.4–110.6, 113, 224; D9/737
CPC A24F 13/02; A24F 13/22; A24F 13/06; A24F 15/18; A24F 15/00; A24F 13/04; A24F 13/08; A24F 7/04; A24F 7/00; A24F 15/12; A24F 13/10; A24F 13/16; A24F 19/10; A24F 19/14; A24F 40/40; A24F 47/00; A24F 13/12; A24F 13/18; A24F 15/20; A24F 40/00
See application file for complete search history.

(56) **References Cited**

U.S. PATENT DOCUMENTS

5,071,033 A * 12/1991 Siwek B65D 83/0409 221/229
D394,522 S * 5/1998 Putnam D27/183

OTHER PUBLICATIONS

EZTube Assorted 4.5 Inches Hinged Lid Joint Blunt Doob Tube. By EZ Tube. Dated Sep. 26, 2018. Found online [Jun. 1, 2021]. https://www.amazon.com/Assorted-Cigarette-Waterproof-Airtight-Container/dp/B07HP8BPCN/ref=sr_1_123?dchild=1&keywords=tube+container&qid=1622562797&sr=8-123 (Year: 2018).*

(Continued)

Primary Examiner — Marissa J Cash
Assistant Examiner — William B Melliar
(74) *Attorney, Agent, or Firm* — Ostrolenk Faber LLP

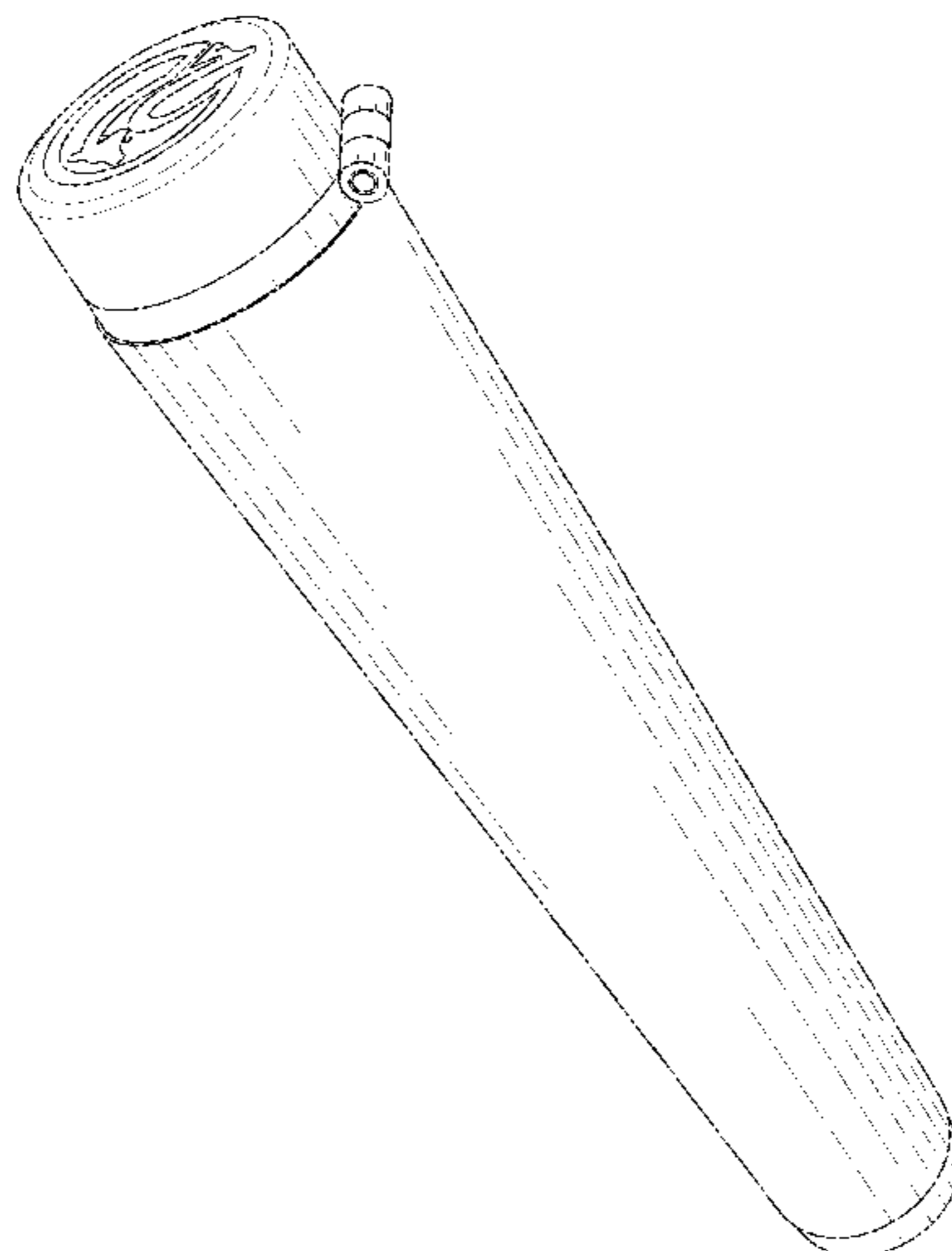
(57) **CLAIM**

The ornamental design for a case for smoking articles, as shown and described.

DESCRIPTION

FIG. 1 is a top rear perspective view of the case for smoking articles, showing my new design;
FIG. 2 is a bottom front perspective view thereof;
FIG. 3 is a rear view thereof;
FIG. 4 is a front view thereof;
FIG. 5 is a left side view thereof;
FIG. 6 is a right side view thereof;
FIG. 7 is a top view thereof; and,
FIG. 8 is a bottom view of the case for smoking articles.

1 Claim, 5 Drawing Sheets



(56)

References Cited

U.S. PATENT DOCUMENTS

D698,652 S * 2/2014 Sommer D9/503
D737,506 S * 8/2015 Liu D27/189
D737,507 S * 8/2015 Liu D27/189
D737,508 S * 8/2015 Liu D27/189
D738,612 S * 9/2015 Winiski D3/205
D749,420 S * 2/2016 Kahlau D9/521
D801,580 S * 10/2017 Barrantes D27/189
D813,155 S * 3/2018 Yamada D13/103
D822,898 S * 7/2018 Ruiz D27/191
D823,537 S * 7/2018 Beaver D27/191
D836,833 S * 12/2018 Simon D27/189
D844,222 S * 3/2019 Yamada D27/101
D910,200 S * 2/2021 Reber D24/224
D914,280 S * 3/2021 Jones D27/162
D921,979 S * 6/2021 Kim D27/172
D922,679 S * 6/2021 Ziering D27/183
D922,680 S * 6/2021 Kurthy D27/183

OTHER PUBLICATIONS

Skyway Viper Doob Tube Vial. By Skyway Products. Dated Jul. 13, 2015. Found online [Jun. 1, 2021]. https://www.amazon.com/Skyway-Waterproof-Airtight-Sealing-Container/dp/B011MLF8UW/ref=sr_1_5?dchild=1&keywords=tube+container&qid=1622562473&sr=8-5 (Year: 2015).*

Alltrapod. By Alltrapod Containers. Dated Feb. 5, 2019. Found online [Jun. 1, 2021]. https://www.amazon.com/J-Pods-Fully-Containers-Bundle-Capacity/dp/B07NF7DPQY/ref=sr_1_1?dchild=1&keywords=tube%2Bcontainer&qid=1622562387&sr=8-1&th=1 (Year: 2019).*

* cited by examiner

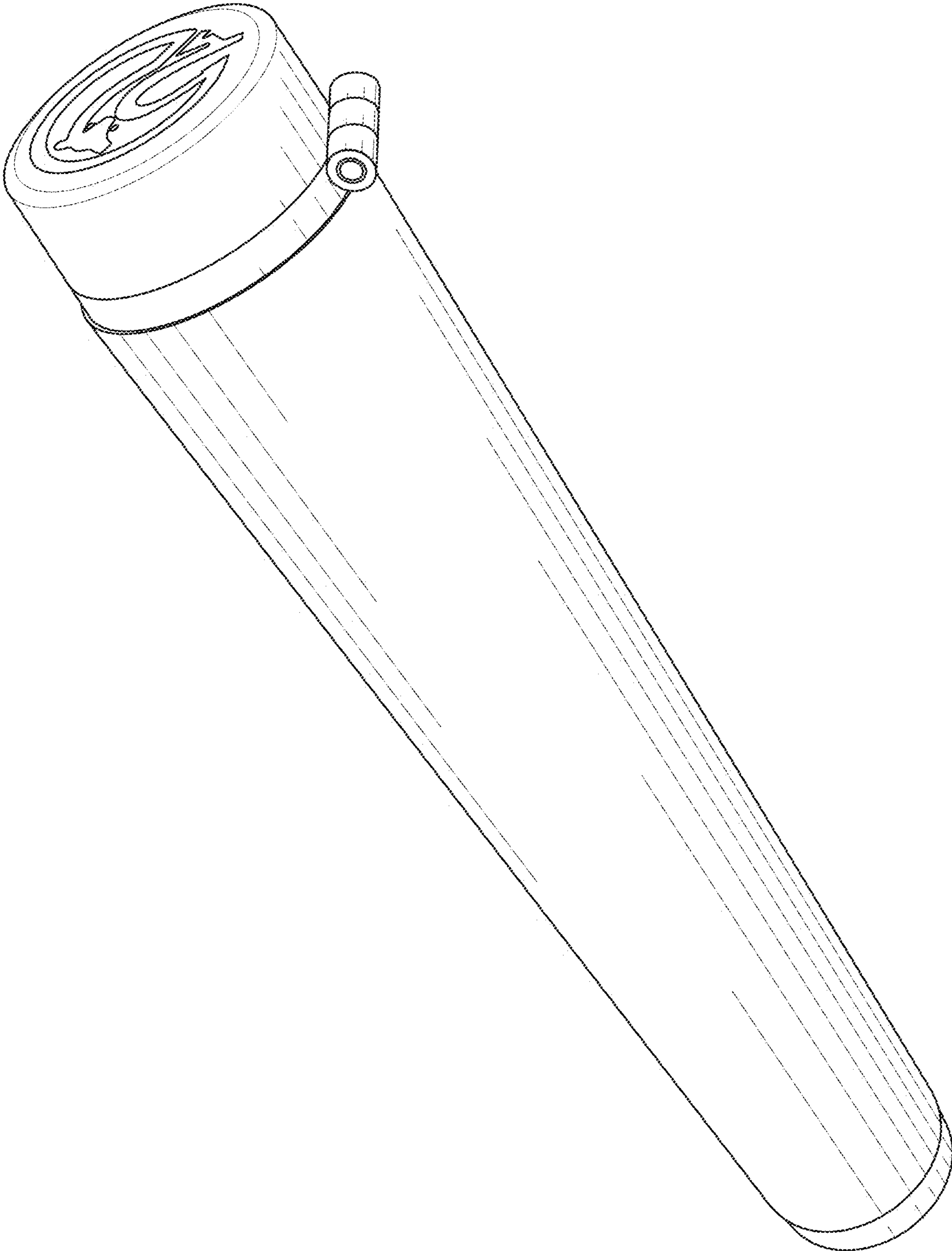


FIG. 1

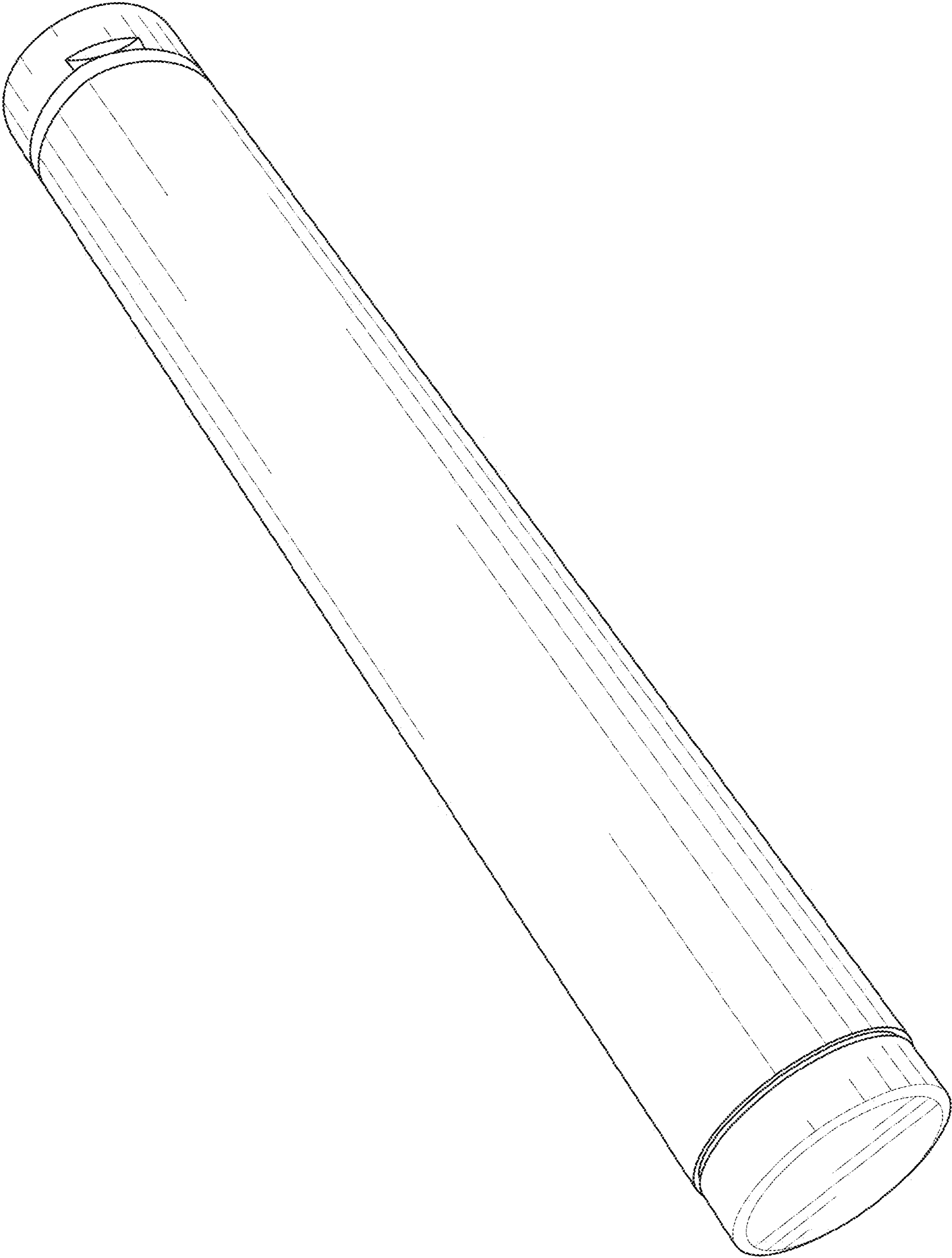


FIG. 2

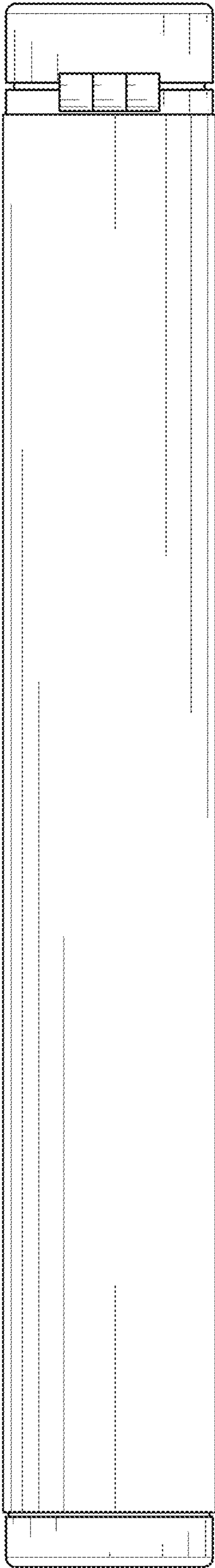


FIG. 3

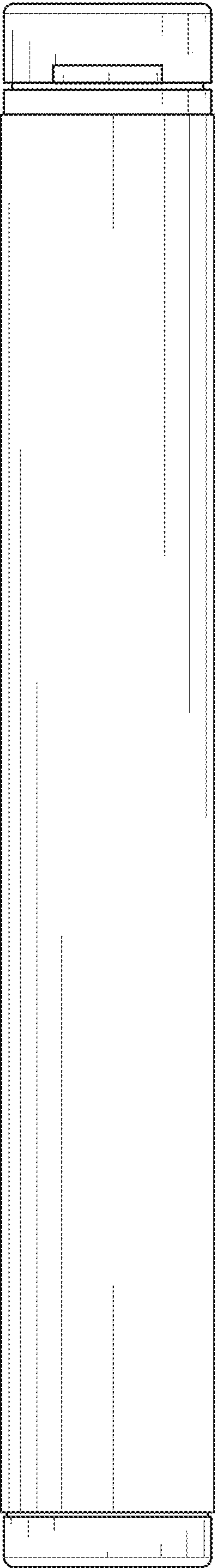


FIG. 4

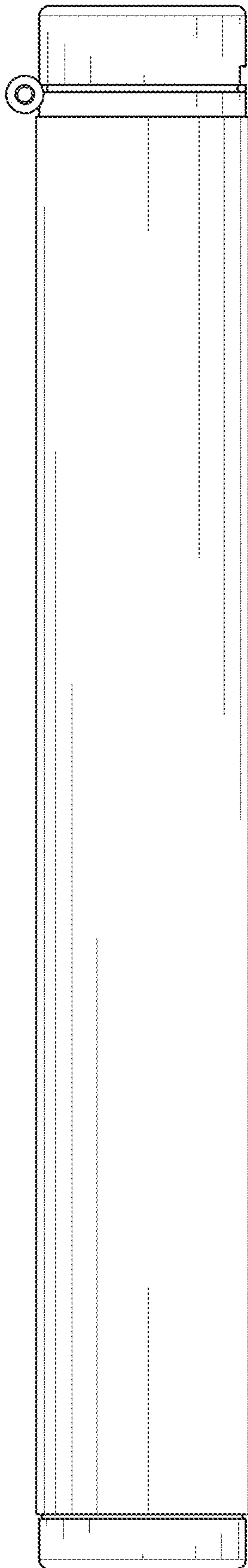


FIG. 5

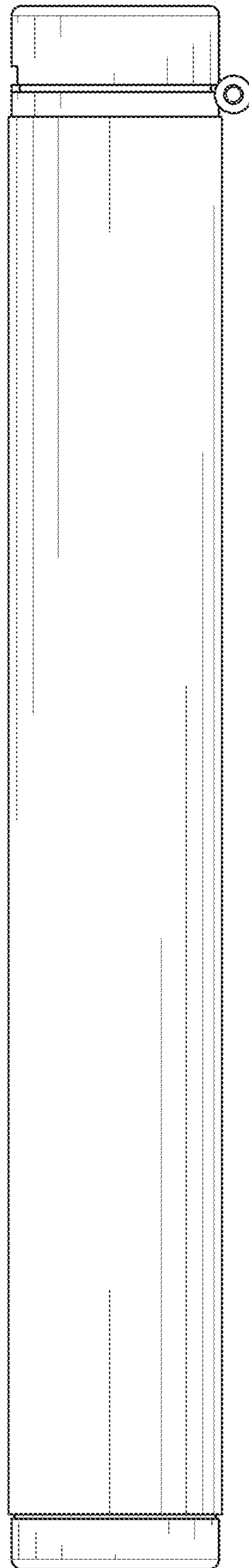


FIG. 6

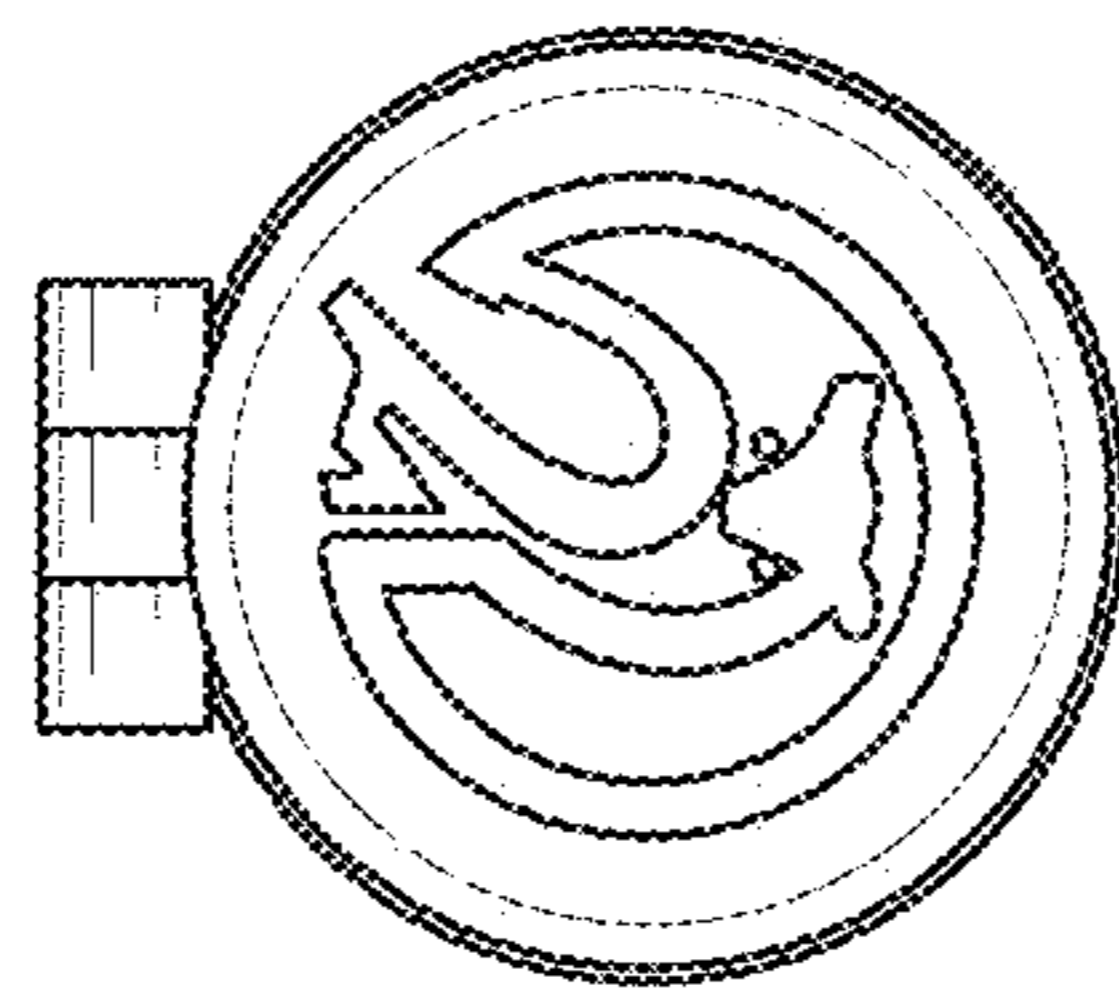


FIG. 7

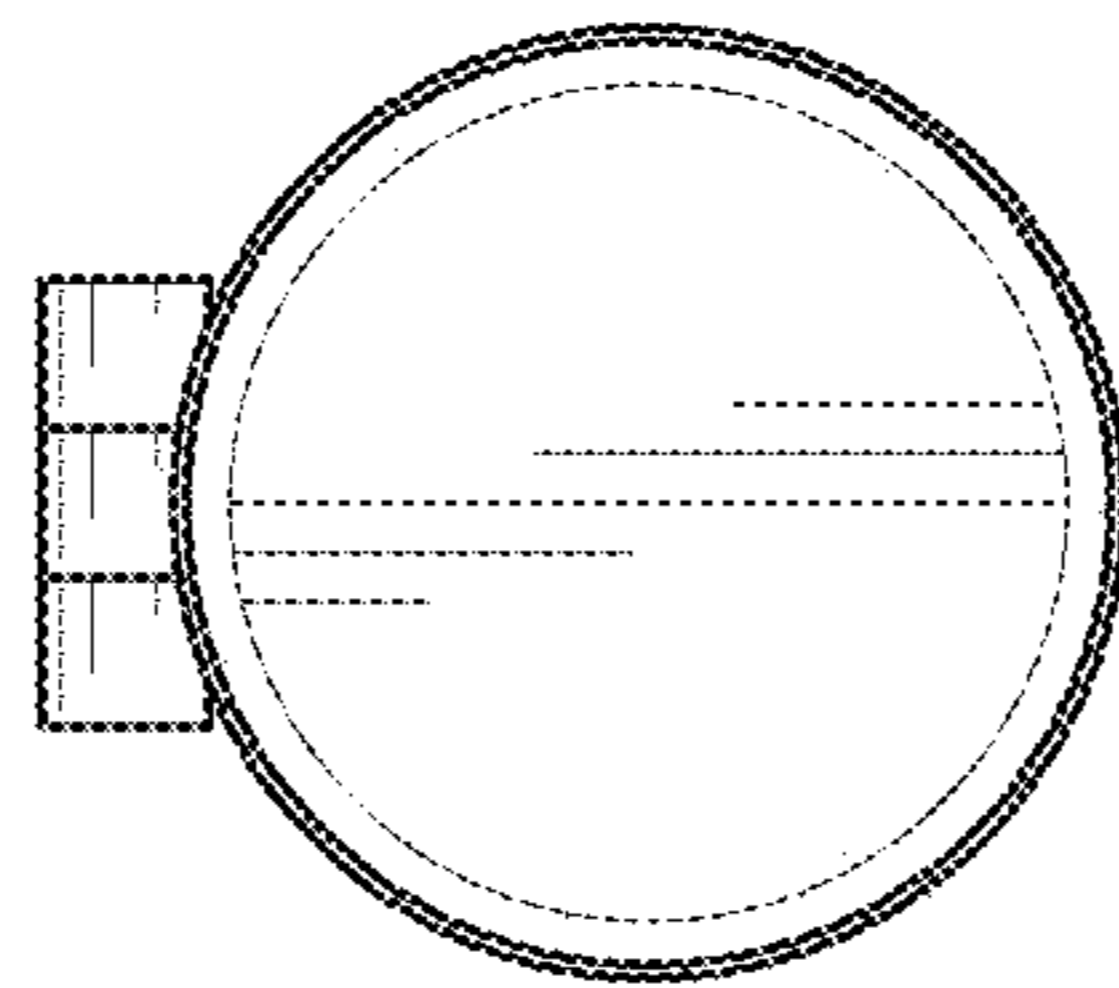


FIG. 8