



US00D948113S

(12) **United States Design Patent** (10) **Patent No.:** **US D948,113 S**
Sung (45) **Date of Patent:** **** Apr. 5, 2022**

(54) **LIGHTER HOLDER WITH KNIFE AND CLIP ASSEMBLY**

amazon.com/P-S-Lighter-Regular-Lighters-Collection/dp/B07XMG456T (Aug. 13, 2020).*

(71) Applicant: **Shaoching Sung**, Chino, CA (US)

Primary Examiner — Rebecca Tsehaye

(72) Inventor: **Shaoching Sung**, Chino, CA (US)

(74) *Attorney, Agent, or Firm* — Loza & Loza, LLP; Heidi Eisenhut

(**) Term: **15 Years**

(21) Appl. No.: **29/696,958**

(57) **CLAIM**

(22) Filed: **Jul. 2, 2019**

The ornamental design for a lighter holder with knife and clip assembly, as shown and described.

(51) **LOC (13) Cl.** **27-06**

(52) **U.S. Cl.**
USPC **D27/172**

DESCRIPTION

(58) **Field of Classification Search**
USPC D27/172, 141-143, 139, 194, 195;
D8/55
CPC A24F 13/12; A24F 13/24; A24F 13/26;
B26B 11/00; F23Q 2/32
See application file for complete search history.

FIG. 1 is a front, right, top perspective view of a lighter holder with knife and clip assembly in a closed configuration according to one the present invention;
FIG. 2 is a front plan view of the lighter holder with knife and clip assembly of FIG. 1;
FIG. 3 is a back plan view of the lighter holder with knife and clip assembly of FIG. 1;
FIG. 4 is a left side elevation view of the lighter holder with knife and clip assembly of FIG. 1;
FIG. 5 is a right side elevation view of the lighter holder with knife and clip assembly of FIG. 1;
FIG. 6 is a top plan view of the lighter holder with knife and clip assembly of FIG. 1;
FIG. 7 is a bottom elevation view of the lighter holder with knife and clip assembly of FIG. 1;
FIG. 8 is a top plan view of the lighter holder with knife and clip assembly of FIG. 1 in an open use configuration.
FIG. 9 is a front plan view of the lighter holder with knife and clip assembly of FIG. 1 in an open use configuration; and,
FIG. 10 is a back plan view of the lighter holder with knife and clip assembly of FIG. 1 in an open use configuration. The broken lines show features of the lighter holder with knife and clip assembly that form no part of the claimed design.

(56) **References Cited**

U.S. PATENT DOCUMENTS

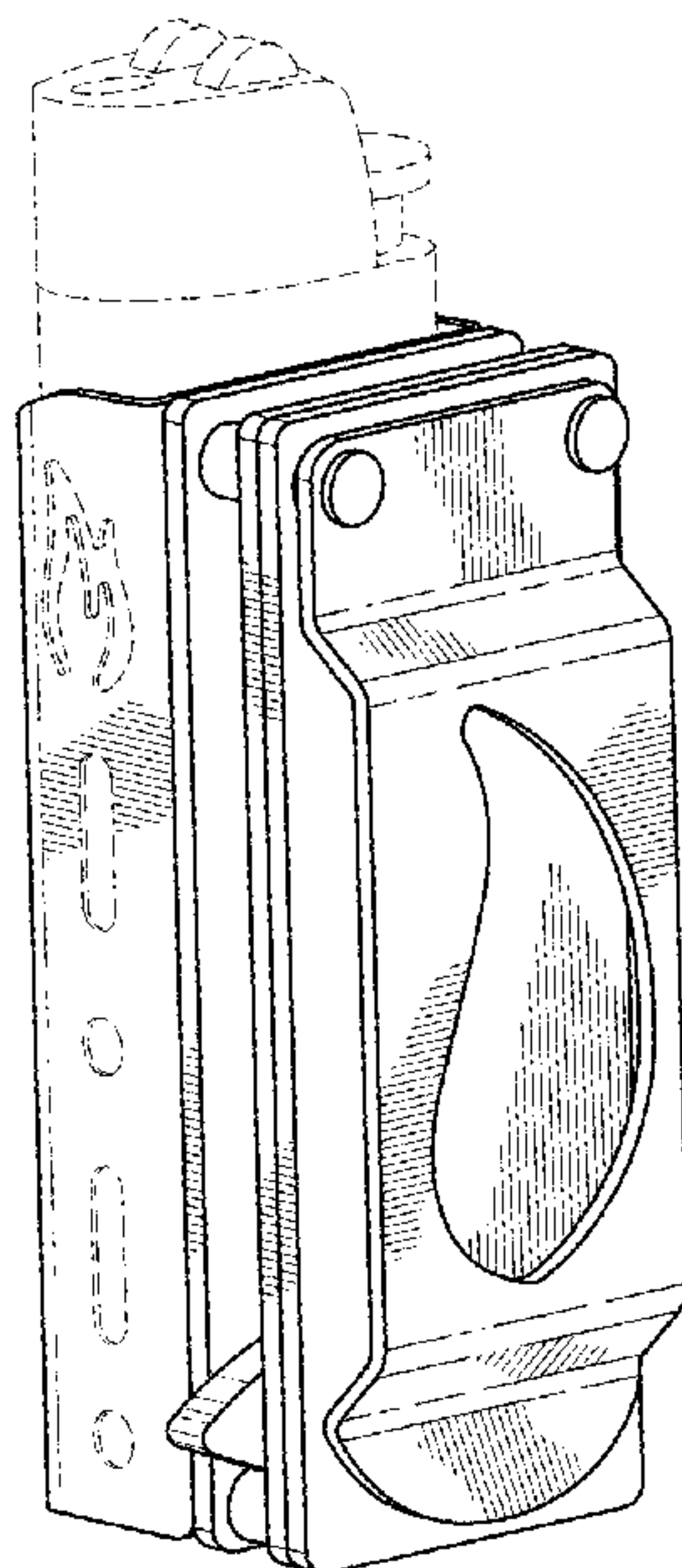
5,888,061	A *	3/1999	Reynolds	A24F 13/24 431/253
D435,691	S *	12/2000	Reynolds	D27/143
D451,635	S *	12/2001	Smith	D27/143
D459,834	S *	7/2002	Park	D27/143
D460,211	S *	7/2002	Park	D27/143
D464,168	S *	10/2002	Reynolds	D27/142
D464,463	S *	10/2002	Smith	D27/143
D467,033	S *	12/2002	Smith	D27/143
D468,859	S *	1/2003	Cohen Harel	D27/141
D469,920	S *	2/2003	Hong	D27/143
6,875,013	B2 *	4/2005	Smith	A24F 13/26 131/248

(Continued)

OTHER PUBLICATIONS

P.S Lighter Holder for Regular Lighters W/Folding Knife, Pocket Knife By NEON found on Amazon Mar. 30, 2021 <https://www>.

1 Claim, 6 Drawing Sheets



(56)

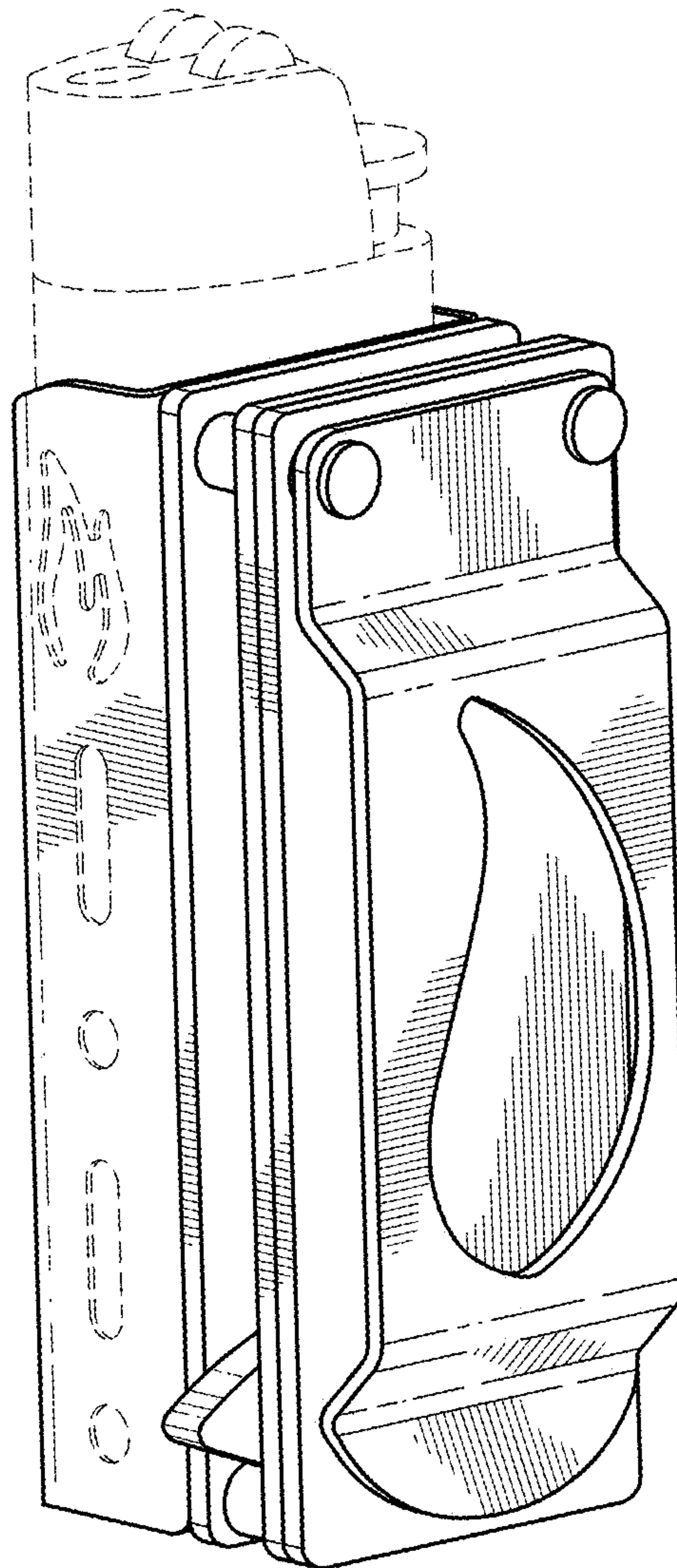
References Cited

U.S. PATENT DOCUMENTS

D553,792	S	*	10/2007	Smith	D27/143
D634,889	S	*	3/2011	Park	D27/143
9,055,769	B2	*	6/2015	Liao	A24F 13/26
D832,073	S		10/2018	Lee		
D853,636	S	*	7/2019	Jourdan	D27/195
2004/0142293	A1	*	7/2004	Smith	A24F 13/26 431/253

* cited by examiner

FIG. 1



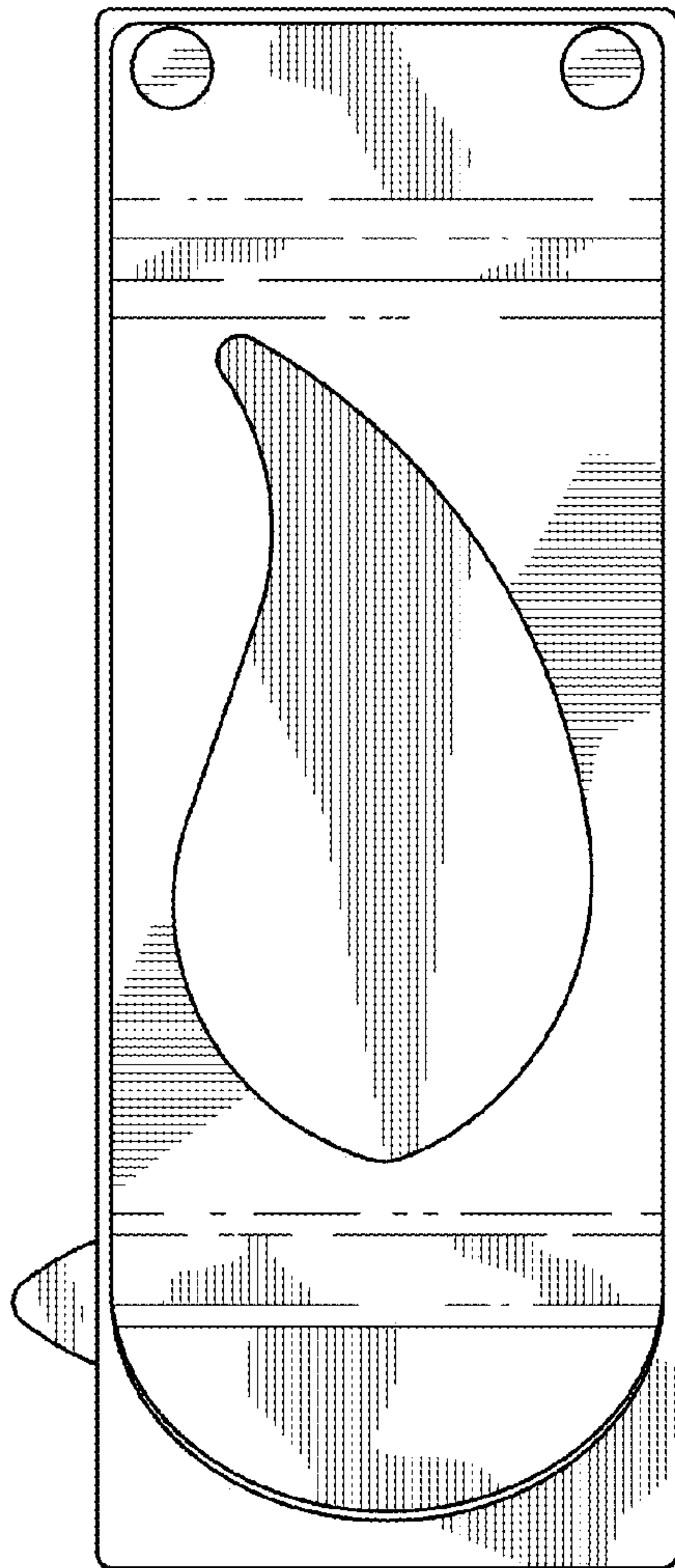


FIG. 2

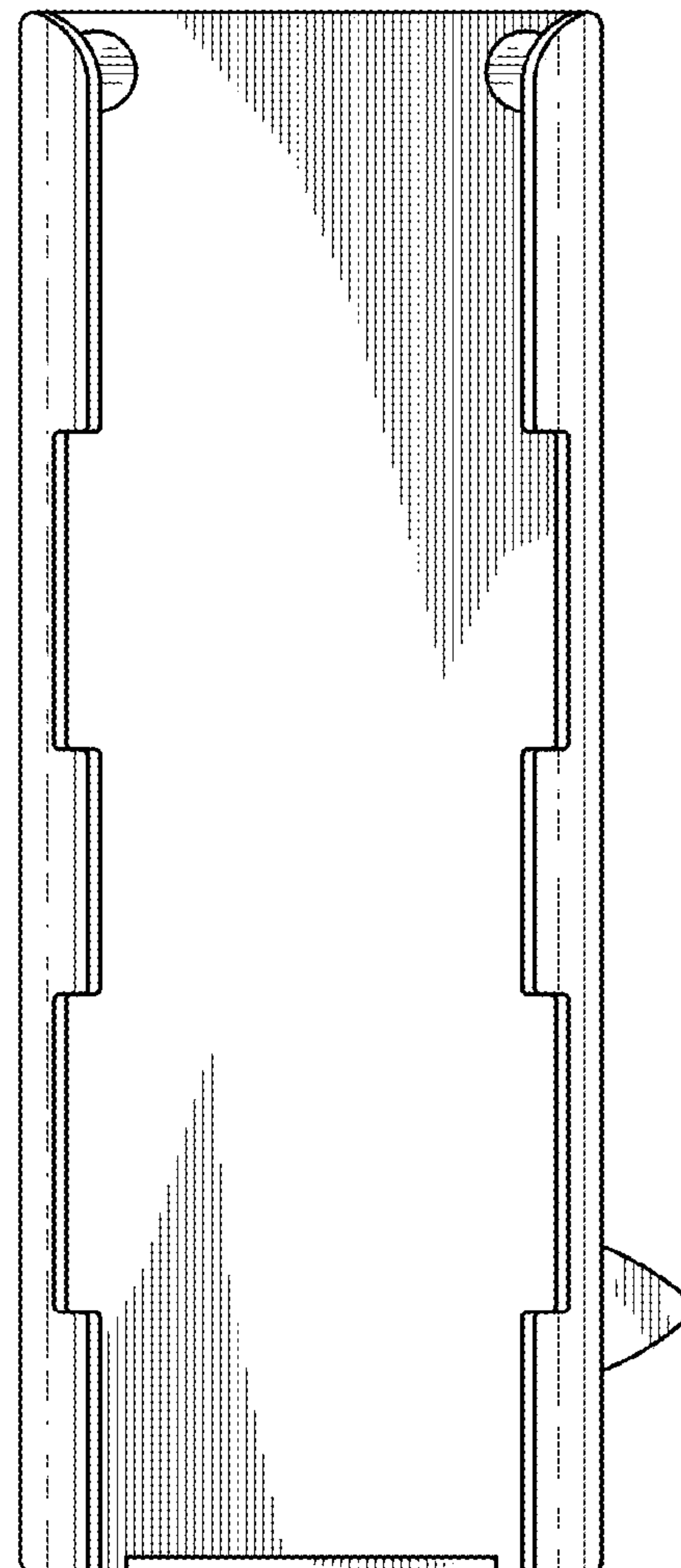


FIG. 3

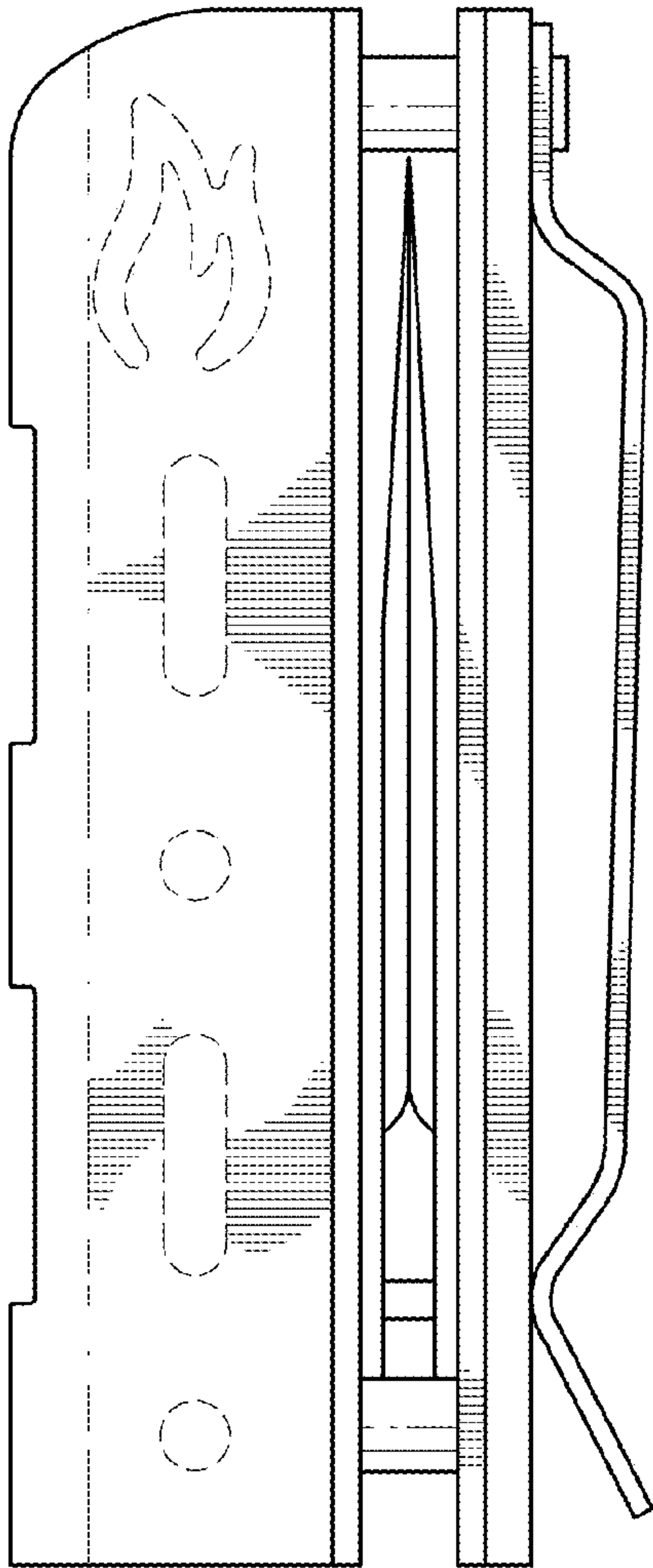


FIG. 4

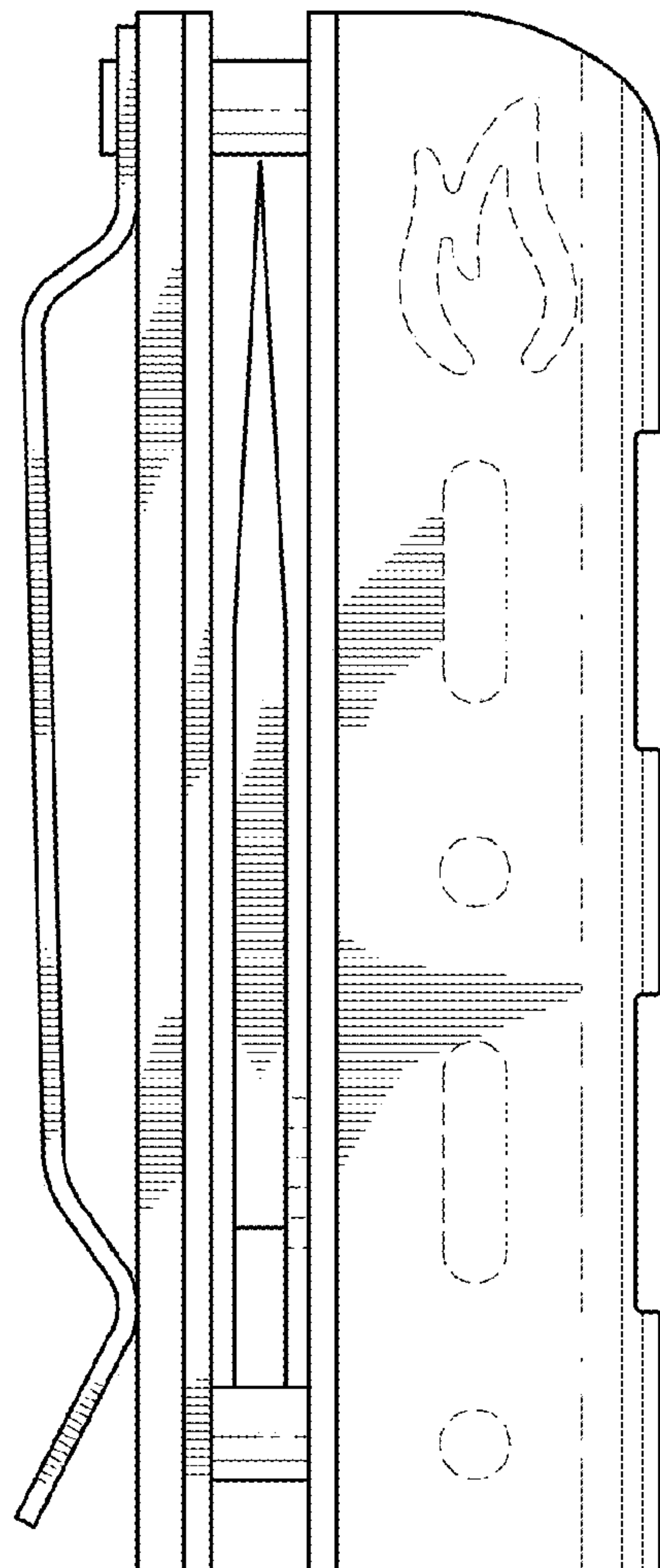


FIG. 5

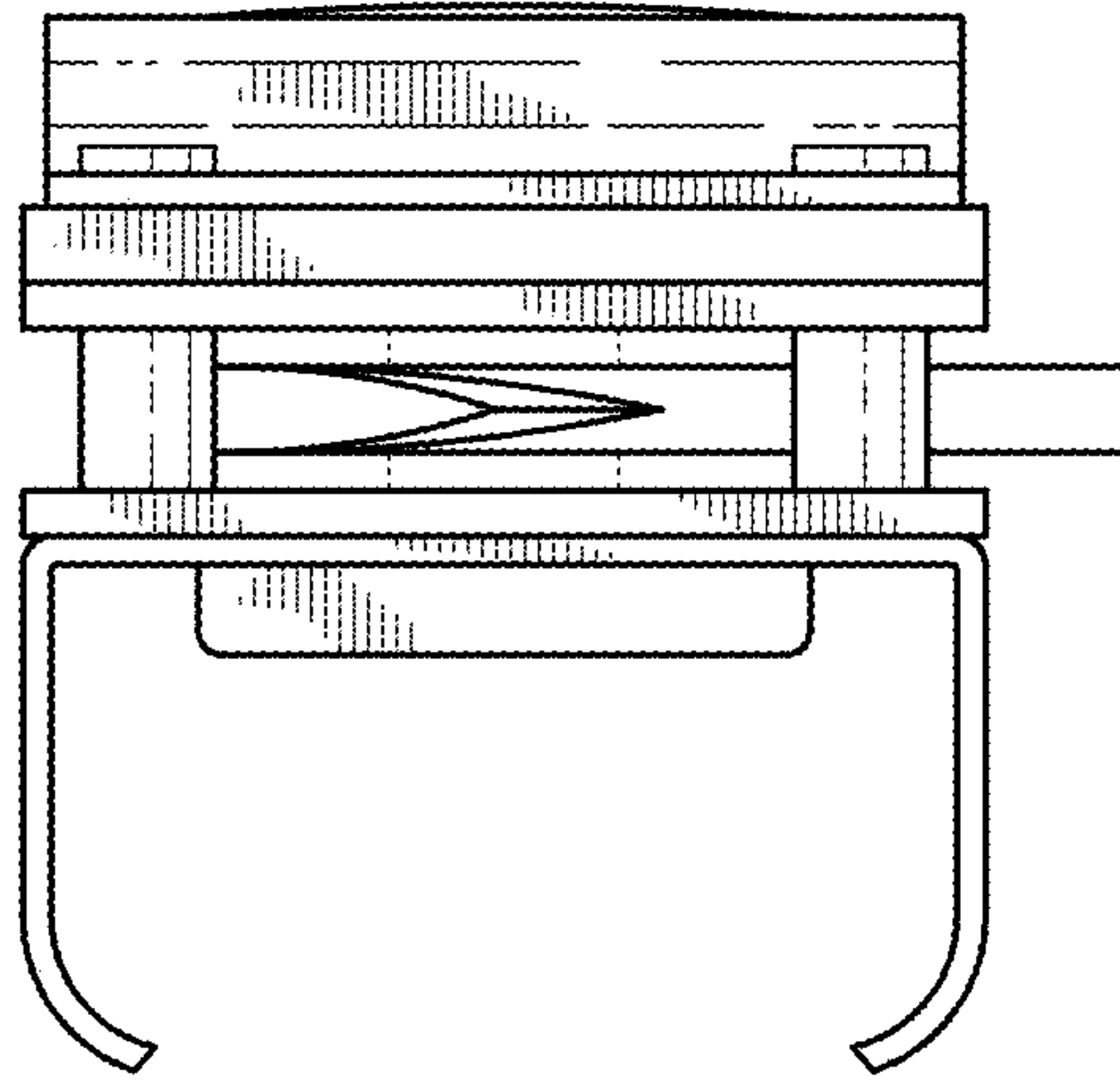


FIG. 6

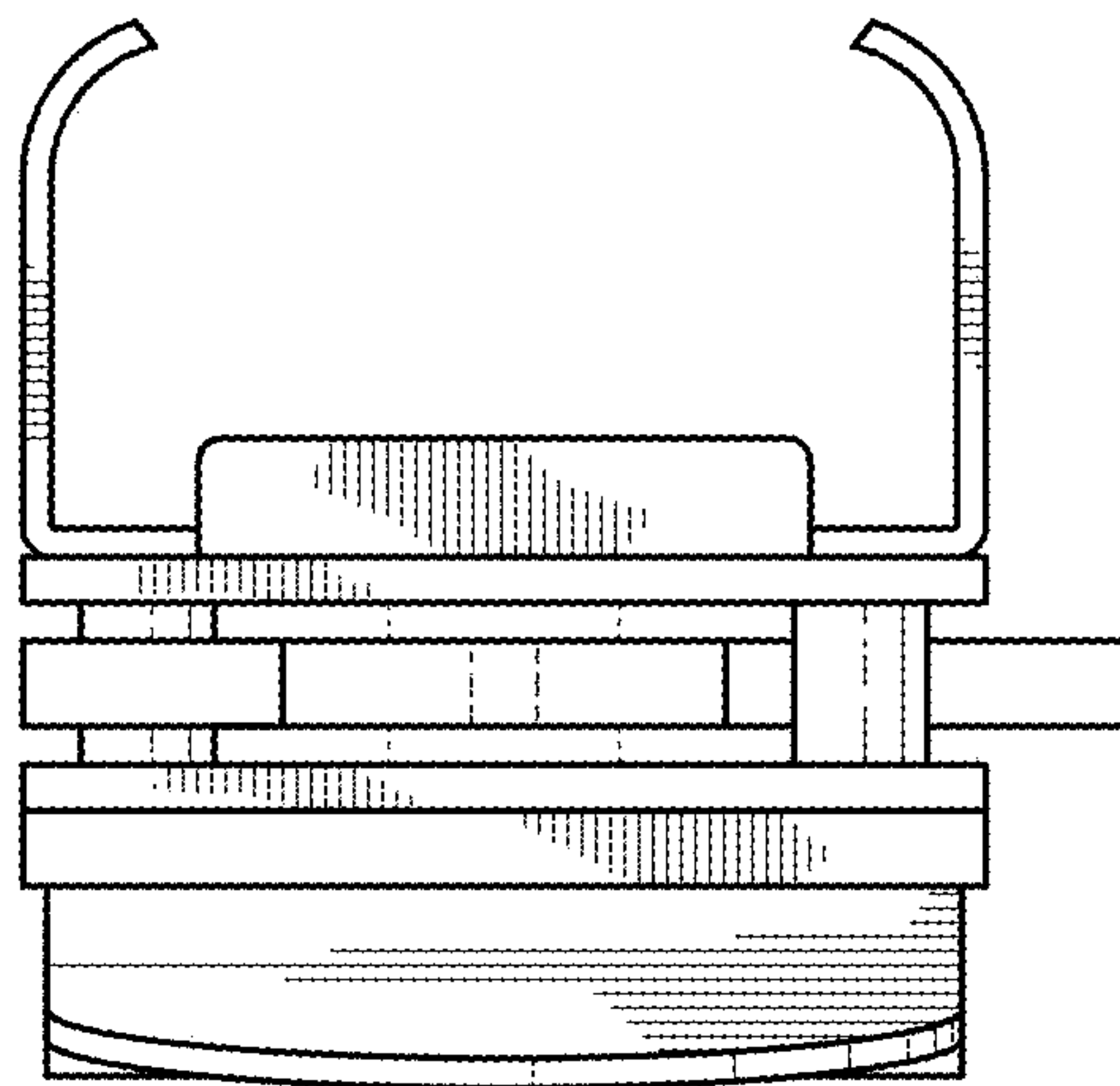


FIG. 7

FIG. 8

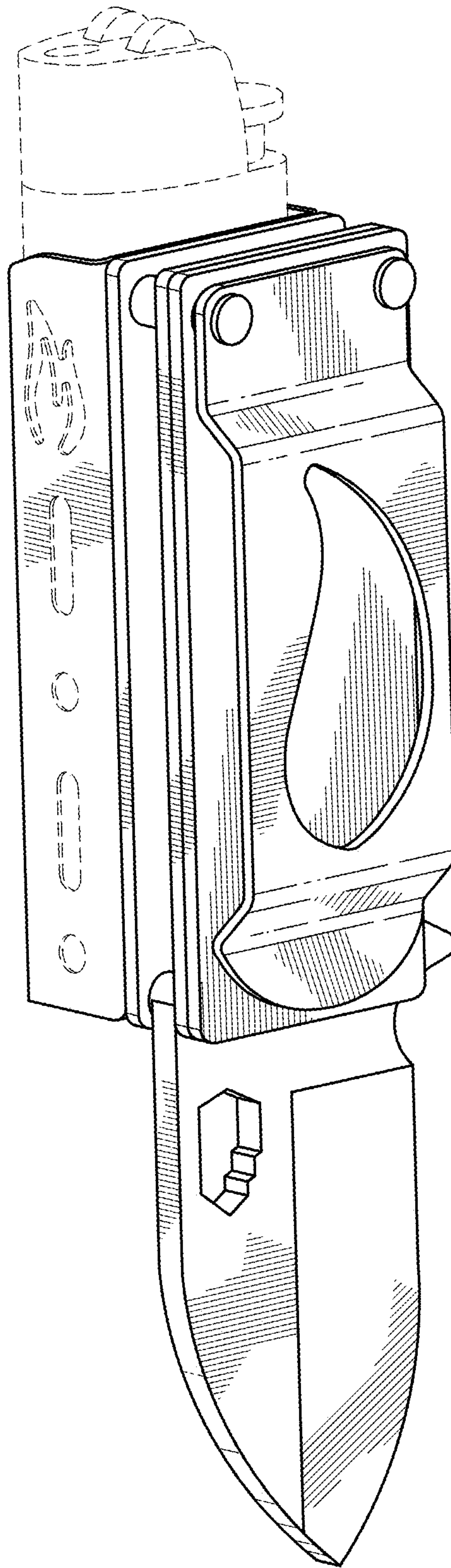


FIG. 9

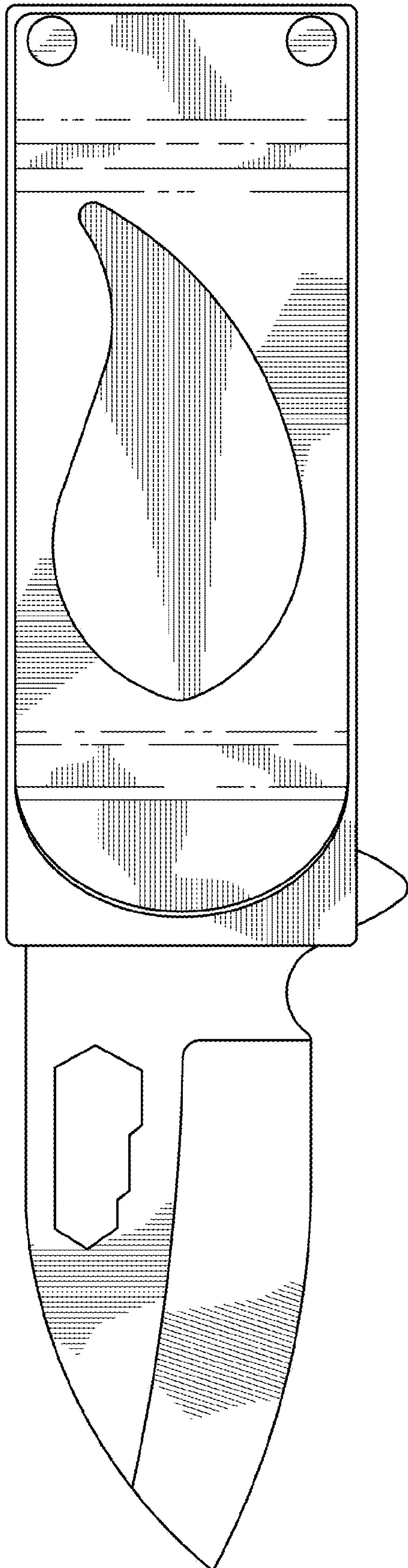


FIG. 10

