



US00D948112S

(12) **United States Design Patent** (10) **Patent No.:** **US D948,112 S**  
**Smith** (45) **Date of Patent:** **\*\* Apr. 5, 2022**

(54) **MOUTHPIECE FOR A BLUNT**

(71) Applicant: **LaShonda Katrice Smith**, Orlando, FL (US)

(72) Inventor: **LaShonda Katrice Smith**, Orlando, FL (US)

(\*\*) Term: **15 Years**

(21) Appl. No.: **29/757,448**

(22) Filed: **Nov. 5, 2020**

(51) **LOC (13) Cl.** ..... **27-02**

(52) **U.S. Cl.**  
USPC ..... **D27/170**

(58) **Field of Classification Search**  
USPC ..... D27/170, 171, 162, 163, 168, 167, 169, D27/194  
CPC ..... A24F 1/30; A24F 1/00; A24F 1/14; A24F 1/12; A24F 1/02  
See application file for complete search history.

(56) **References Cited**

**U.S. PATENT DOCUMENTS**

D485,639 S *	1/2004	Stroński	.....	D27/170
6,764,064 B2 *	7/2004	Sturm	.....	A45F 3/20
				222/175
D739,601 S *	9/2015	Bahbah	.....	D27/170
D744,696 S *	12/2015	Malhi	.....	D27/170
D758,003 S *	5/2016	Merwin	.....	D27/163
D769,519 S *	10/2016	Chen	.....	D27/167
D772,479 S *	11/2016	Stowers	.....	D27/170
D799,747 S *	10/2017	Champion	.....	D27/169
D814,629 S *	4/2018	Chuang	.....	D24/110
D838,900 S *	1/2019	Freese	.....	D27/170
D916,274 S *	4/2021	Aktas	.....	D24/110.5
D930,237 S *	9/2021	Fornarelli	.....	D27/167

**OTHER PUBLICATIONS**

Reusable Glass Rolling Tips for Cigarette Filter Flat Mouthpiece  
By: AOMI found on Amazon (Feb. 16, 2021) <https://www.amazon.com/Reusable-Rolling-Cigarette-Mouthpiece-Cigarettes/dp/B08KR9YW17/ref=sr> (Nov. 10, 2021).\*

\* cited by examiner

*Primary Examiner* — Rebecca Tsehaye

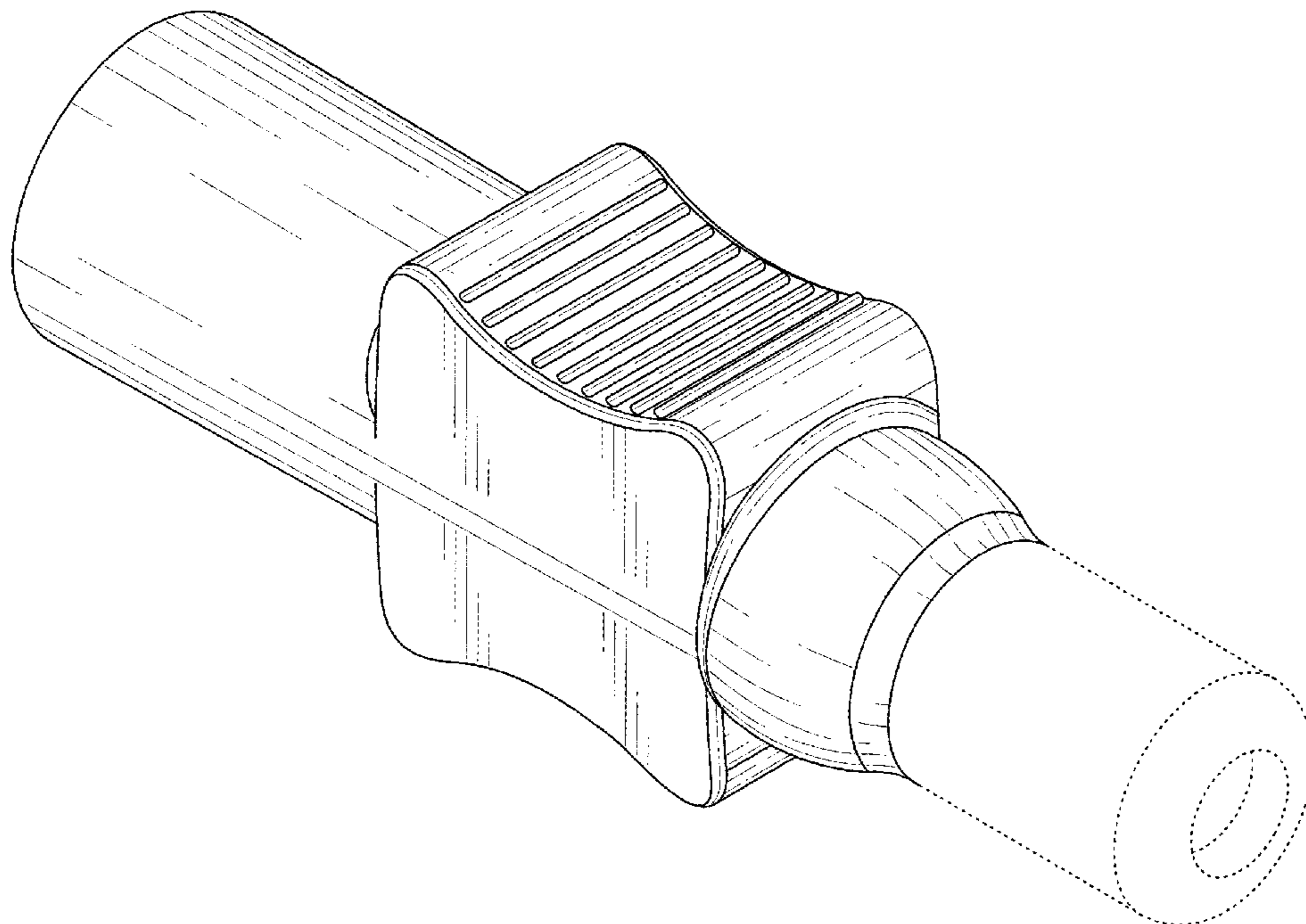
(57) **CLAIM**

The ornamental design for a mouthpiece for a blunt, as shown and described.

**DESCRIPTION**

FIG. 1 is an enlarged top-front-left perspective view of a mouthpiece for a blunt showing my new design;  
FIG. 2 is an enlarged bottom-rear-right perspective view thereof;  
FIG. 3 is a front elevated view thereof;  
FIG. 4 is a rear elevated view thereof;  
FIG. 5 is a top plan view thereof;  
FIG. 6 is a bottom plan view thereof;  
FIG. 7 is a left elevated view thereof;  
FIG. 8 is a right elevated view thereof; and,  
FIG. 9 is a cross-sectional view taken along line 9-9 in FIG. 8.  
The broken lines showing of a mouthpiece for a blunt tip in FIG. 1-9 are included for the purpose of showing environmental structure and form no part of the claimed design.

**1 Claim, 9 Drawing Sheets**



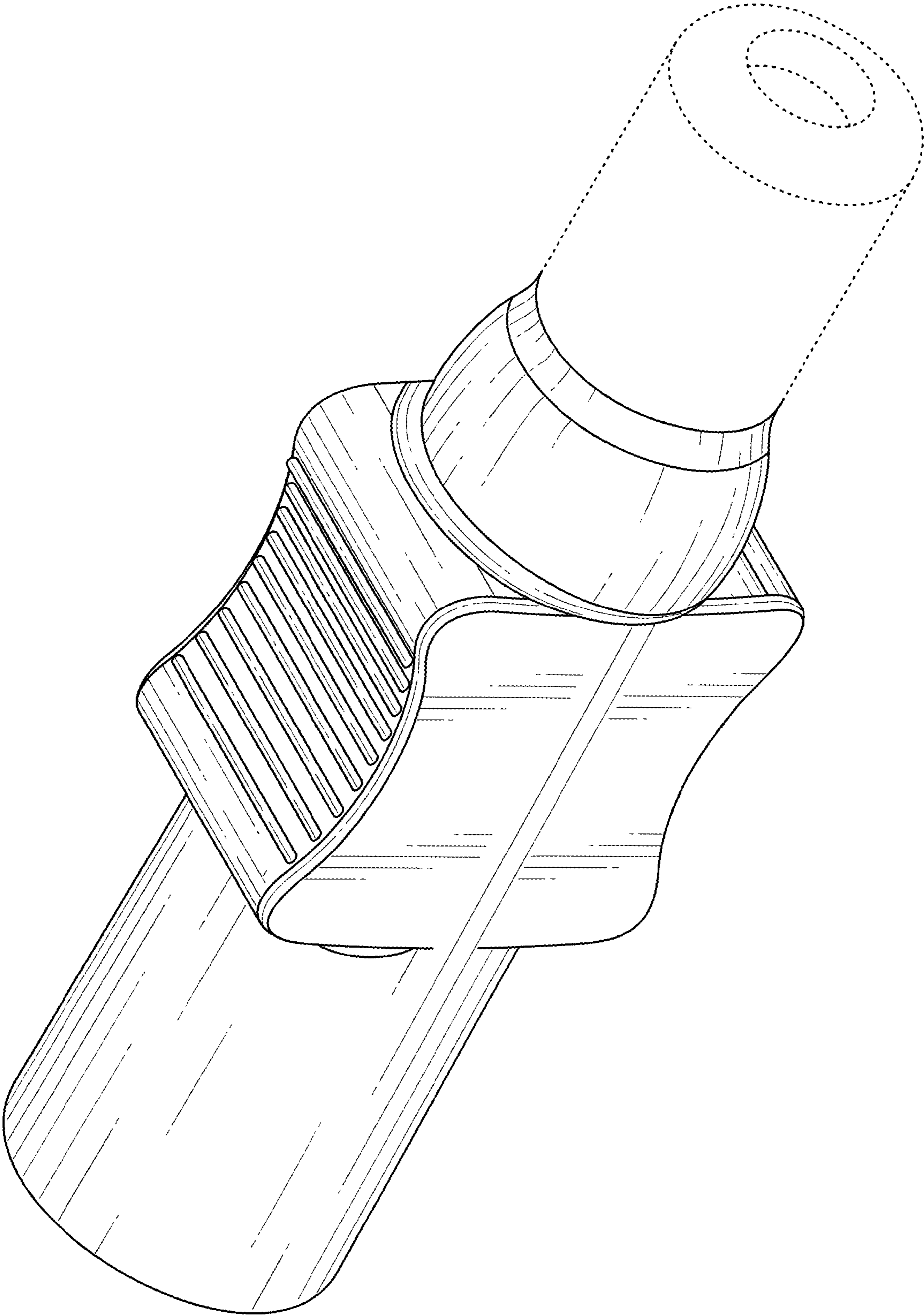


FIG. 1

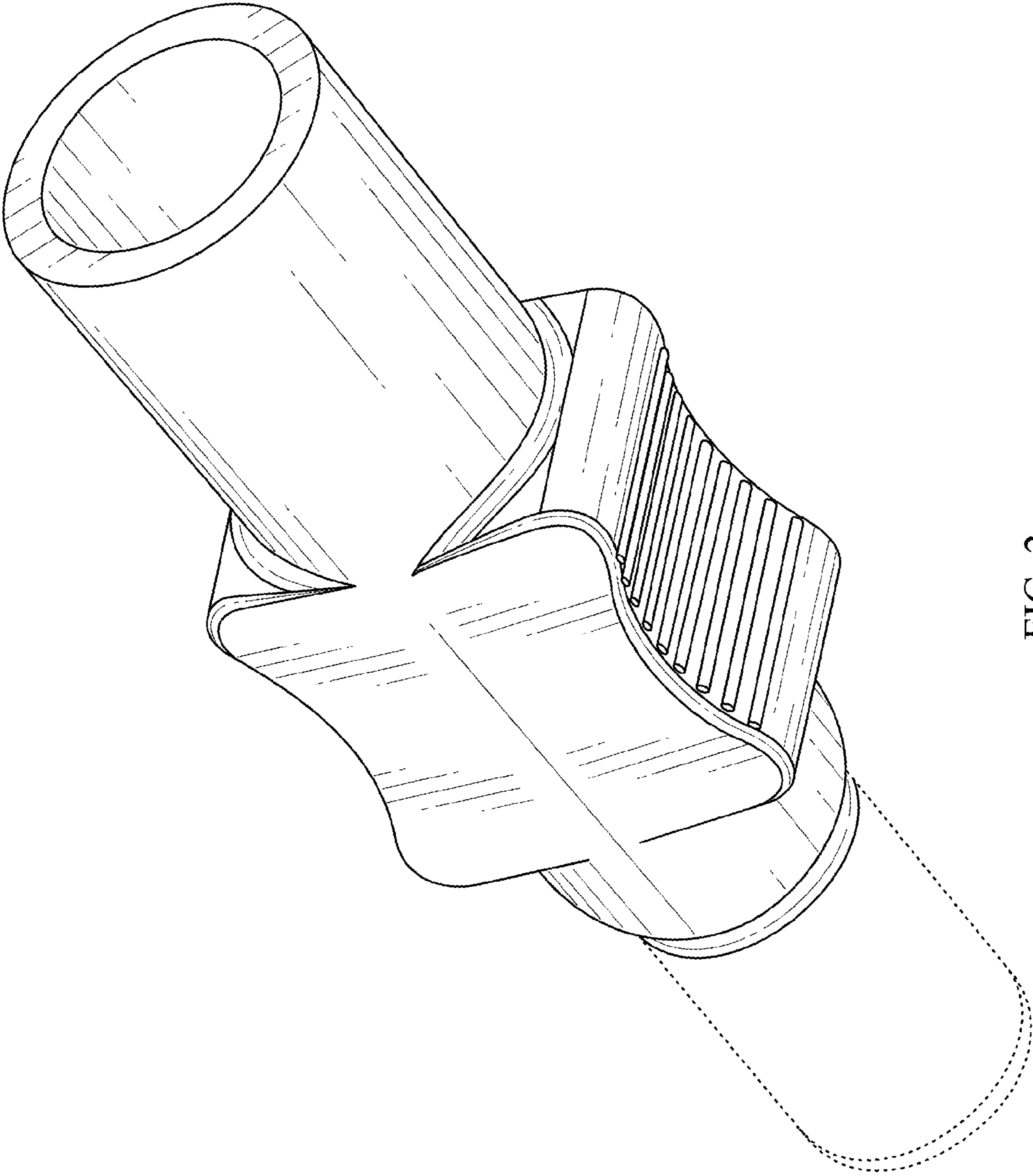


FIG. 2

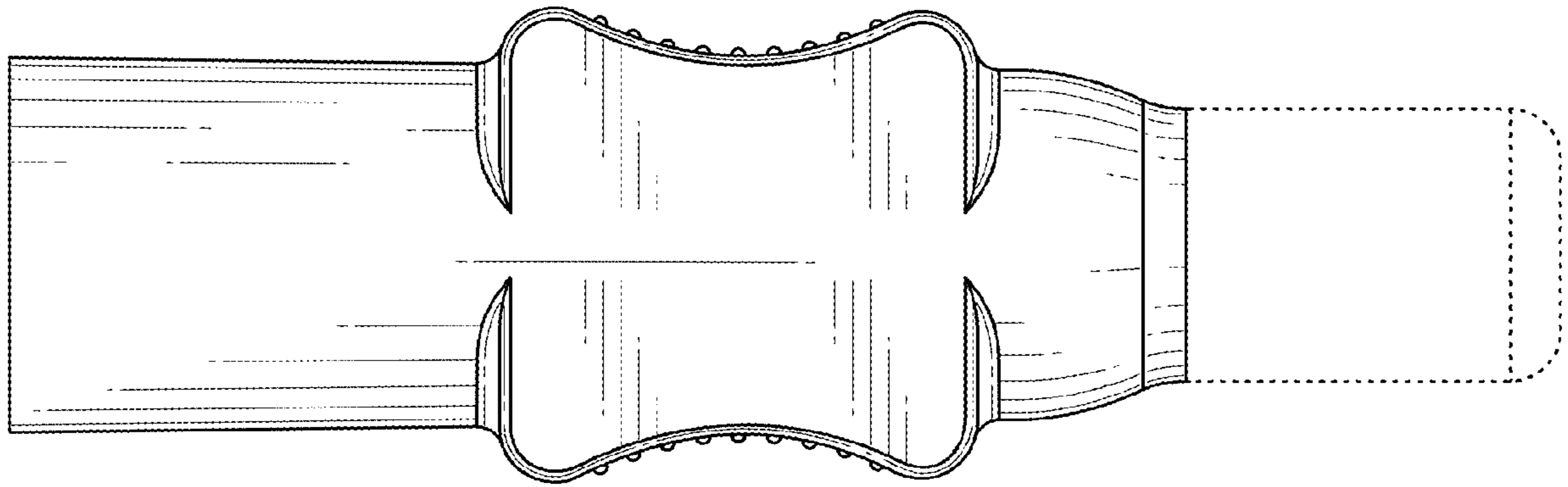


FIG. 3

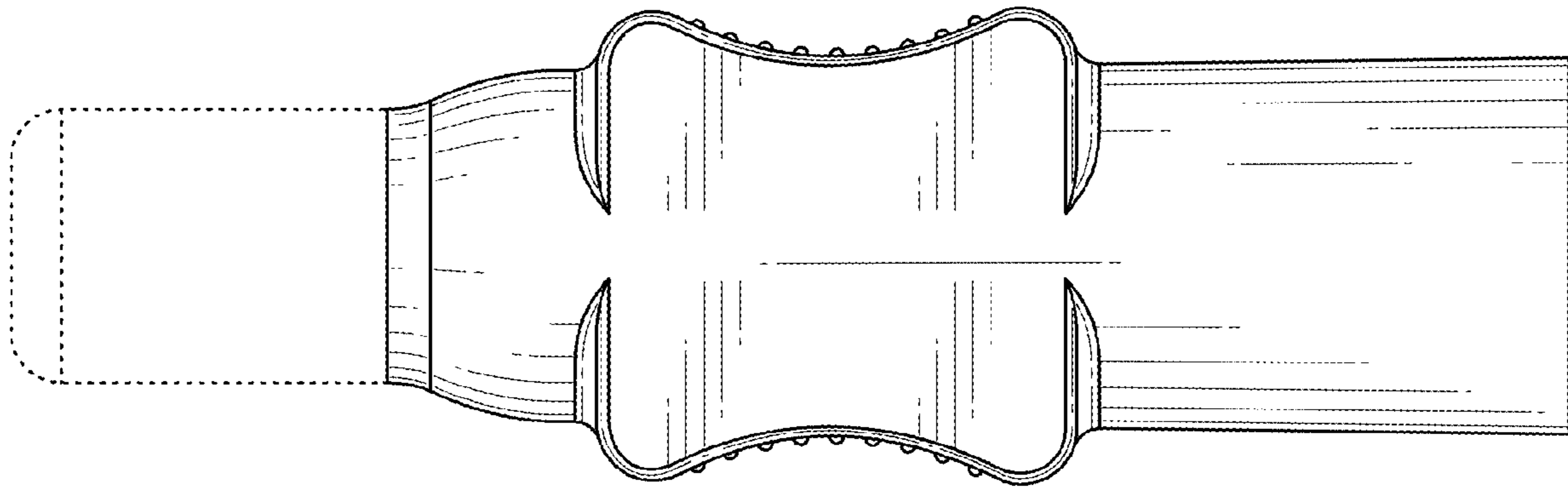


FIG. 4

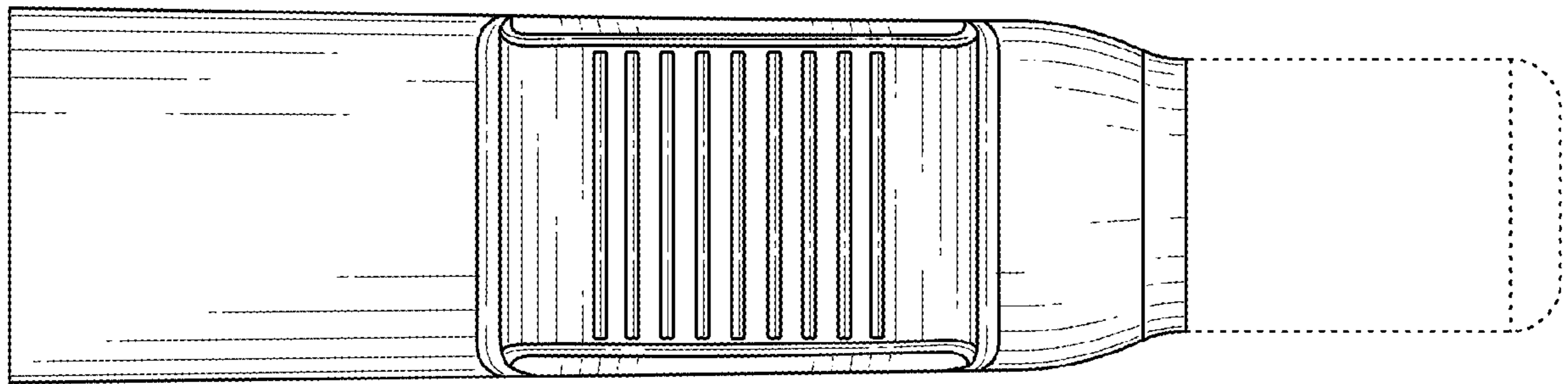


FIG. 5

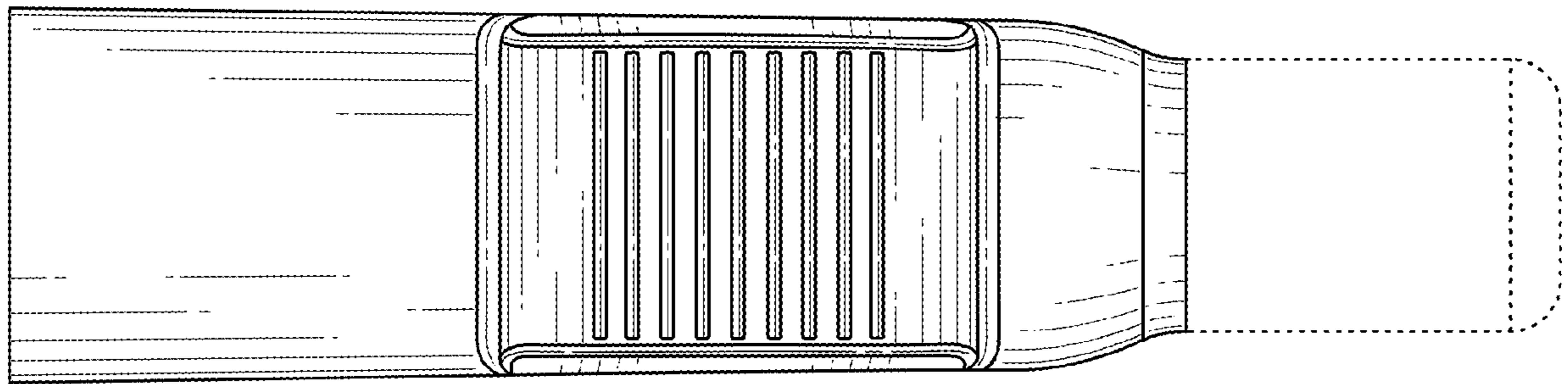


FIG. 6

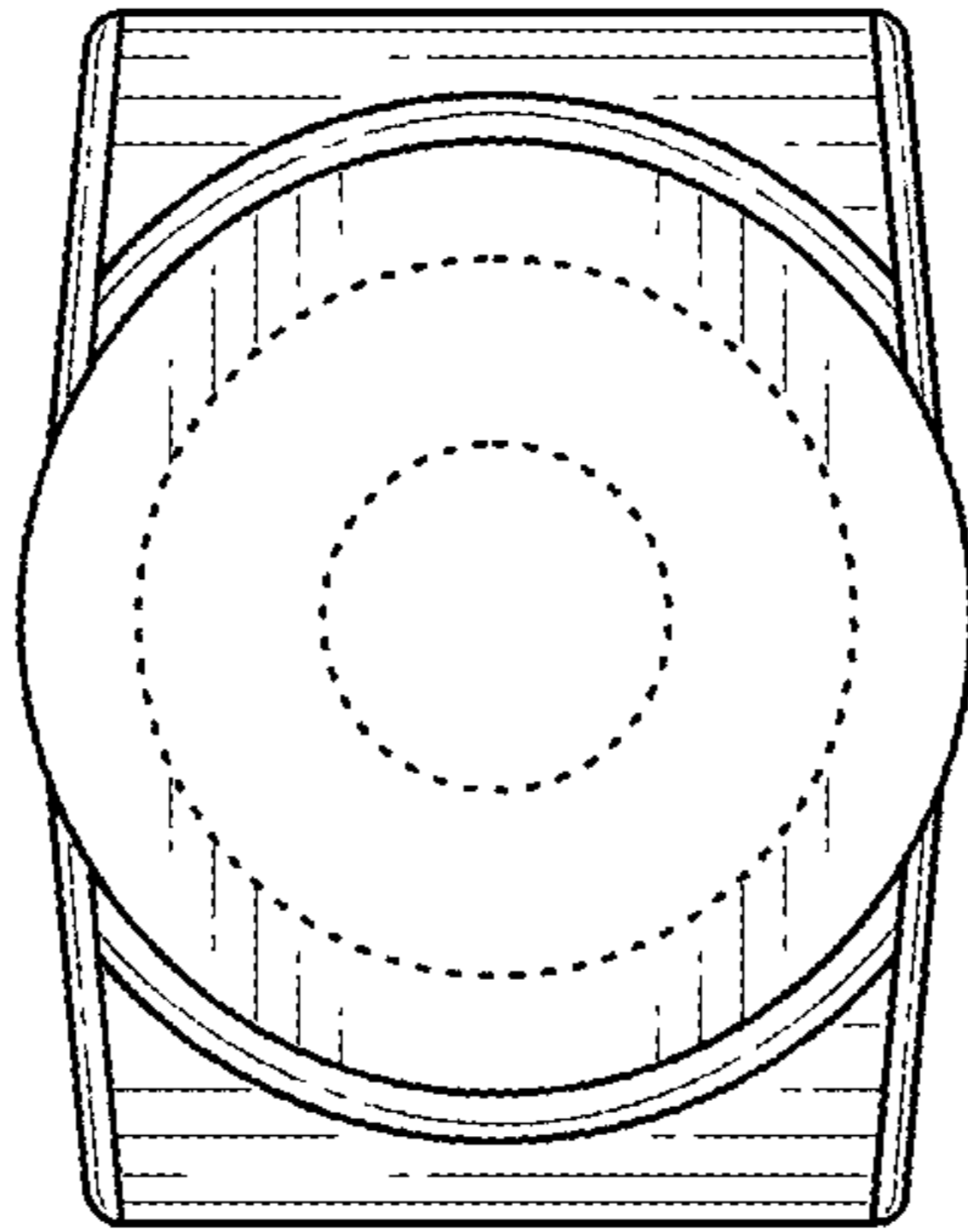


FIG. 7



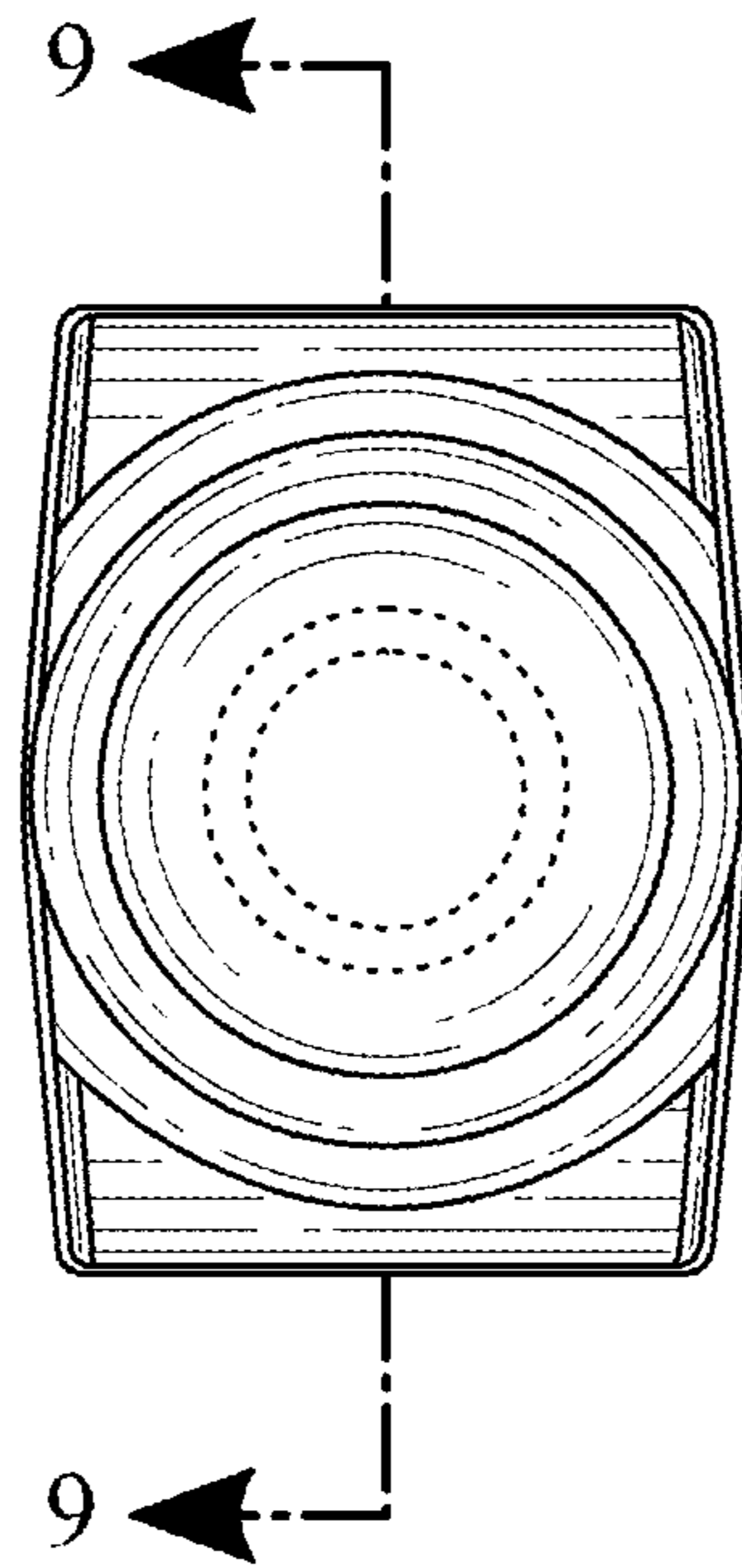


FIG. 8

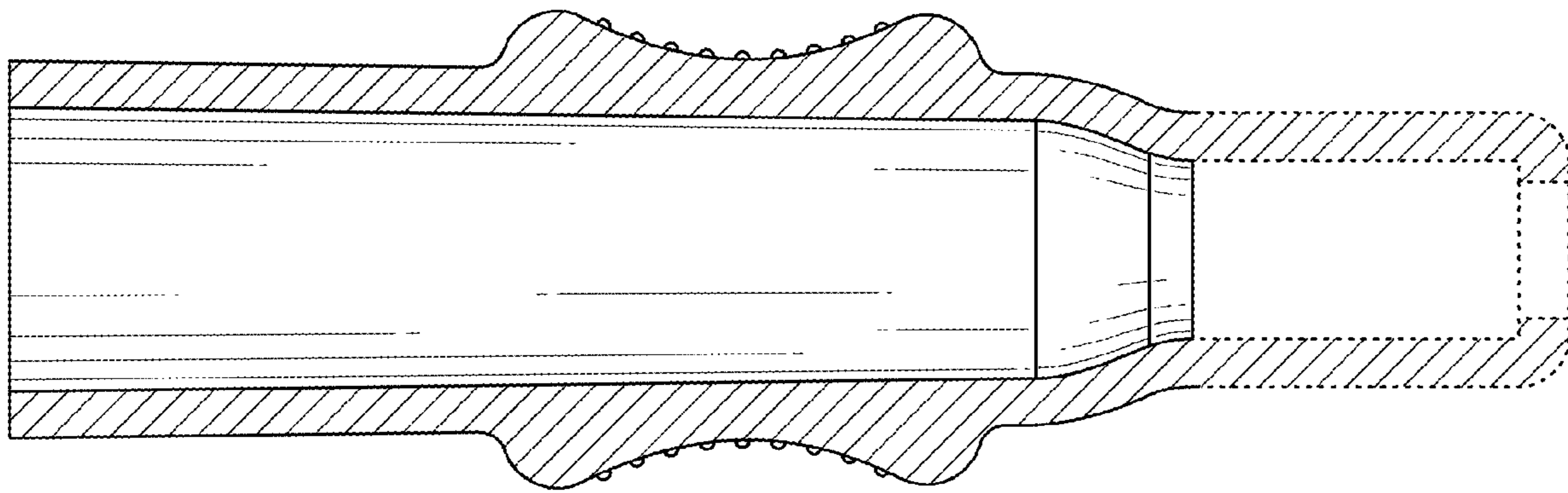


FIG. 9