

US00D948109S

(12) **United States Design Patent** (10) **Patent No.:** **US D948,109 S**
Abouzalam (45) **Date of Patent:** **** Apr. 5, 2022**

(54) **ATOMIZER**

(56) **References Cited**

(71) Applicant: **Bee-Nails LLC**, Ft. Collins, CO (US)

U.S. PATENT DOCUMENTS

(72) Inventor: **Ali Abouzalam**, Fort Collins, CO (US)

D772,478 S *	11/2016	Liu	D27/167
D806,943 S *	1/2018	Liu	D27/101
D817,544 S *	5/2018	Chen	D27/167
D823,534 S *	7/2018	Chen	D27/162
D853,635 S *	7/2019	Chen	D27/194
D857,290 S *	8/2019	Crowe	D27/162
D874,719 S *	2/2020	Yuan	D27/162
D877,975 S *	3/2020	Crowe	D27/162
D885,653 S *	5/2020	Ding	D27/162

(**) Term: **15 Years**

(21) Appl. No.: **29/734,435**

(22) Filed: **May 12, 2020**

(Continued)

(51) **LOC (13) Cl.** **27-02**

(52) **U.S. Cl.**

FOREIGN PATENT DOCUMENTS

USPC **D27/162**

CN	201830740247.6	*	7/2019
CN	201930559137.4	*	4/2020

(Continued)

(58) **Field of Classification Search**

USPC D27/100, 101, 162, 163, 164, 165, 166,
D27/167, 168, 169, 170, 171, 172, 173,
D27/174, 175, 176, 177, 178, 179, 180,
D27/181, 182, 183, 184, 185, 186, 187,
D27/188, 189, 190, 191, 192, 193, 194,
D27/196; D28/91.1; D23/360, 362;
D24/110, 110.4, 110.5, 110.6, 113

CPC A24F 40/10; A24F 40/40; A24F 40/46;
A24F 47/008; A24F 40/60; A24F 40/70;
A24F 40/51; A24F 40/20; A24F 40/05;
A24F 40/90; A24F 40/30; A24F 40/95;
A24F 40/00; A24F 7/00; A24F 13/00;
A24F 13/14; A24F 1/32; A24F 40/49;
A24F 42/60; A24F 42/80; A24F 47/002;
A24F 7/02; A24F 9/16; A24F 40/42;
A24F 40/57; A24F 15/015; A24F 40/465;
A24F 1/02; A24F 2700/03; A24F 15/01;
A24F 1/28; A24F 40/85; A24F 42/00;
A24F 42/10; A24F 42/20; A24F 47/004;
A24F 47/006; A24F 7/04; A24F 40/485;
A24F 40/44; A24F 40/48; A24F 40/50;
A24F 1/00; A24F 47/00; A24F 40/53;
A24F 40/65

See application file for complete search history.

OTHER PUBLICATIONS

Stinger Wax Cartomizer. By Bee-Nails. Dated May 5, 2021. Found online [May 4, 2021]. <https://bee-nails.com/products/stinger-wax-cartomizer-2-pack> (Year: 2021).*

Primary Examiner — Marissa J Cash
Assistant Examiner — William B Melliar
(74) *Attorney, Agent, or Firm* — Michael A. Blake

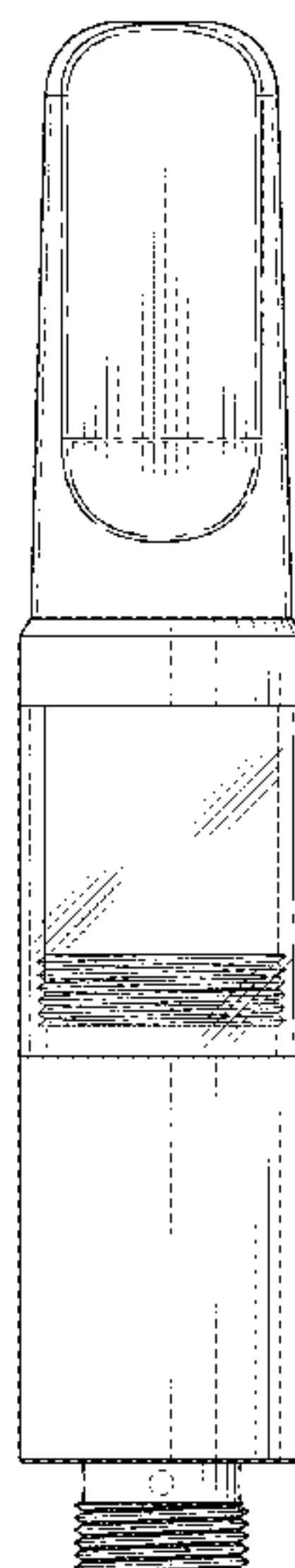
(57) **CLAIM**

The ornamental design for an atomizer, as shown and described.

DESCRIPTION

FIG. 1 is a perspective view of an atomizer in accordance with the present invention having a transparent mid section; FIG. 2 is side view of the atomizer of FIG. 1; FIG. 3 is top view of the atomizer of FIG. 1; FIG. 4 is a front view thereof; and, FIG. 5 is a rear view thereof. The broken lines shown in the drawings depict portions of the atomizer that form no part of the claimed design.

1 Claim, 4 Drawing Sheets



(56)

References Cited

U.S. PATENT DOCUMENTS

D892,398 S * 8/2020 Yuan D27/162
D909,666 S * 2/2021 Fornarelli D27/162
D920,570 S * 5/2021 Laidlaw D27/162
D930,237 S * 9/2021 Fornarelli D27/167
2018/0343923 A1* 12/2018 Chen H05B 3/03
2020/0315258 A1* 10/2020 Yuan A24F 40/70

FOREIGN PATENT DOCUMENTS

CN 201930550650.7 * 6/2020
CN 202030147171.3 * 10/2020

* cited by examiner

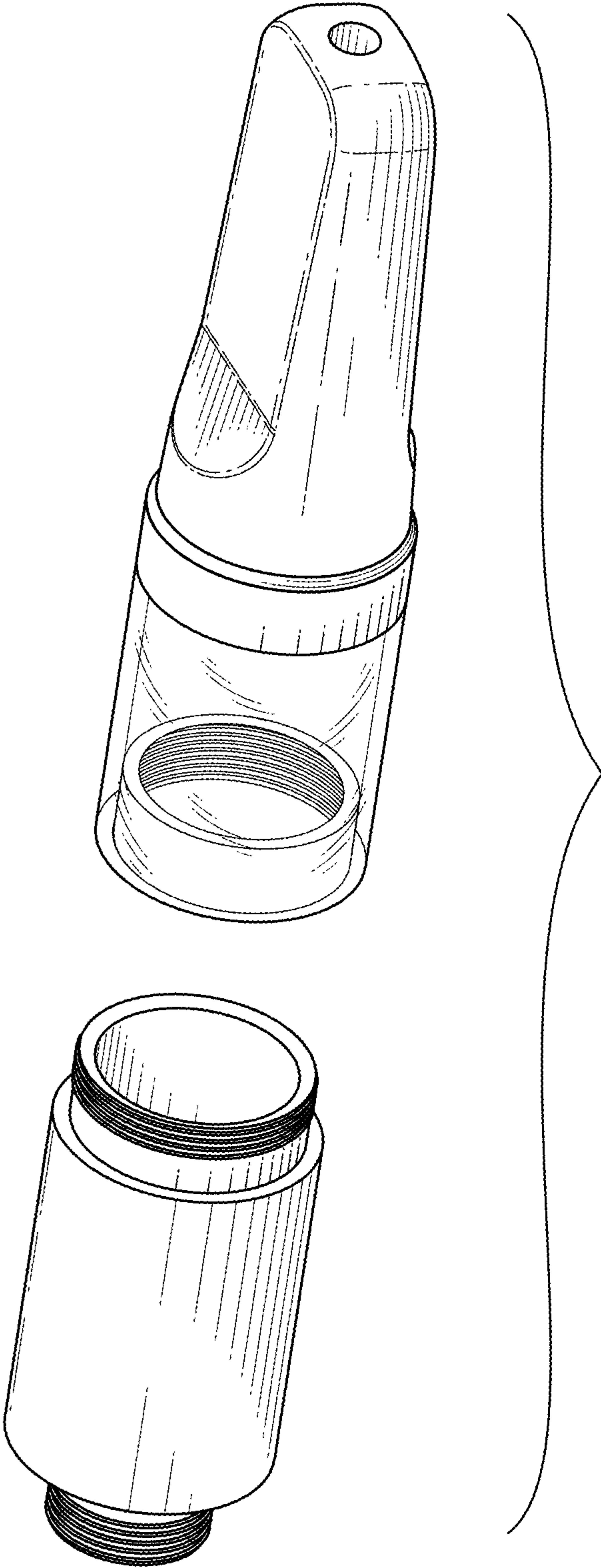


FIG. 1

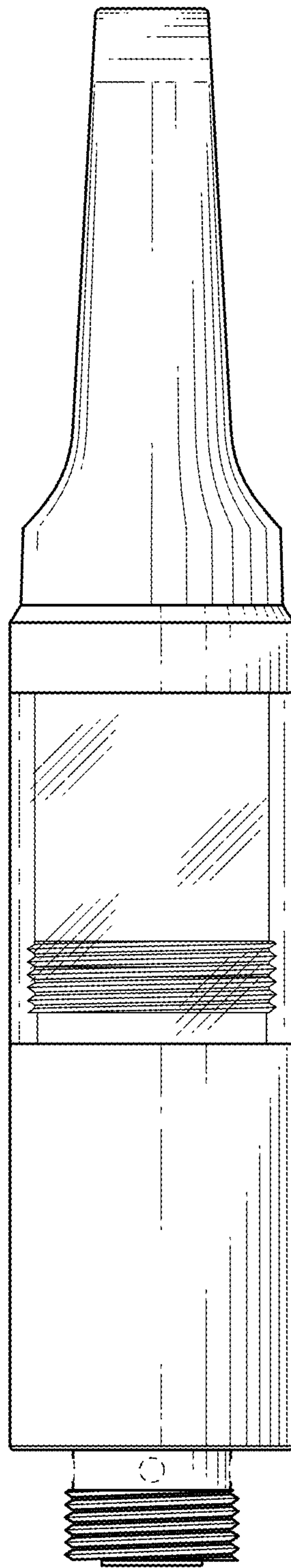


FIG. 2

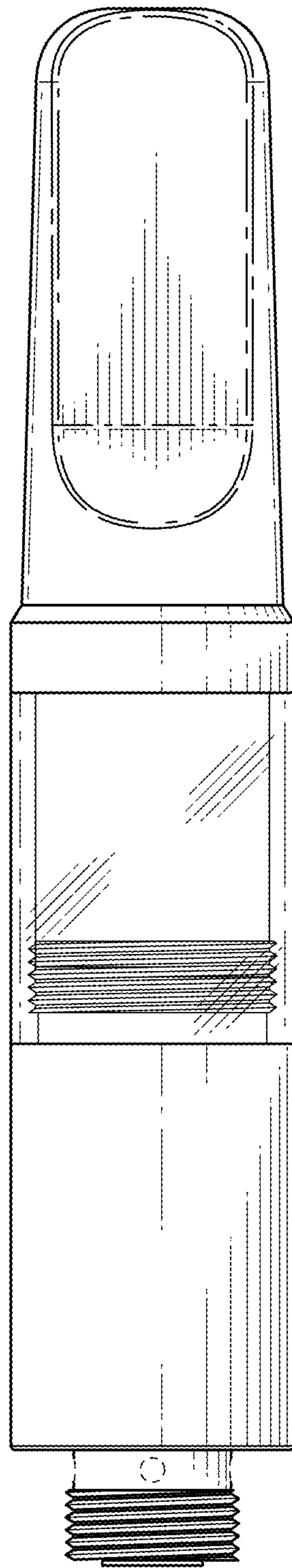


FIG. 3

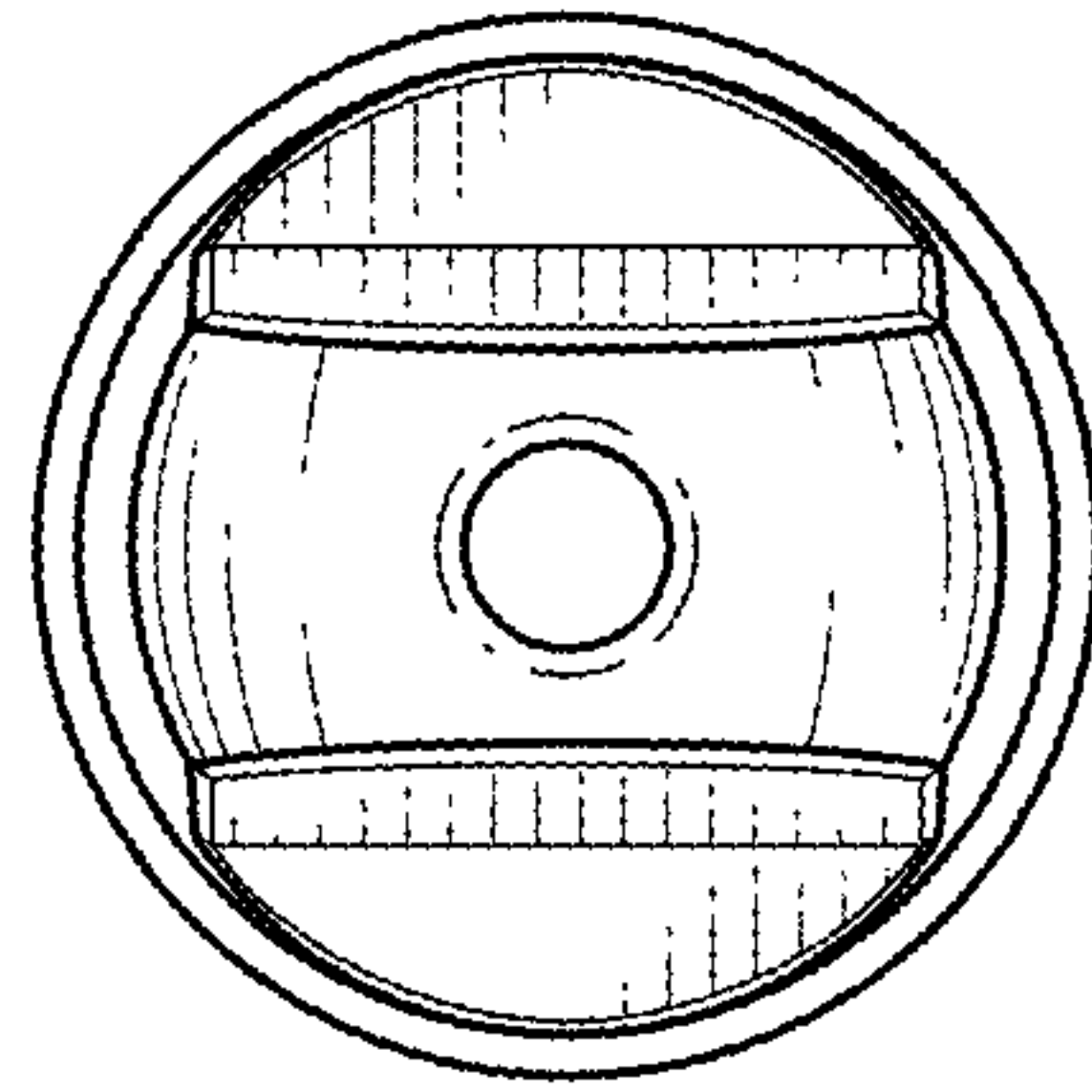


FIG. 4

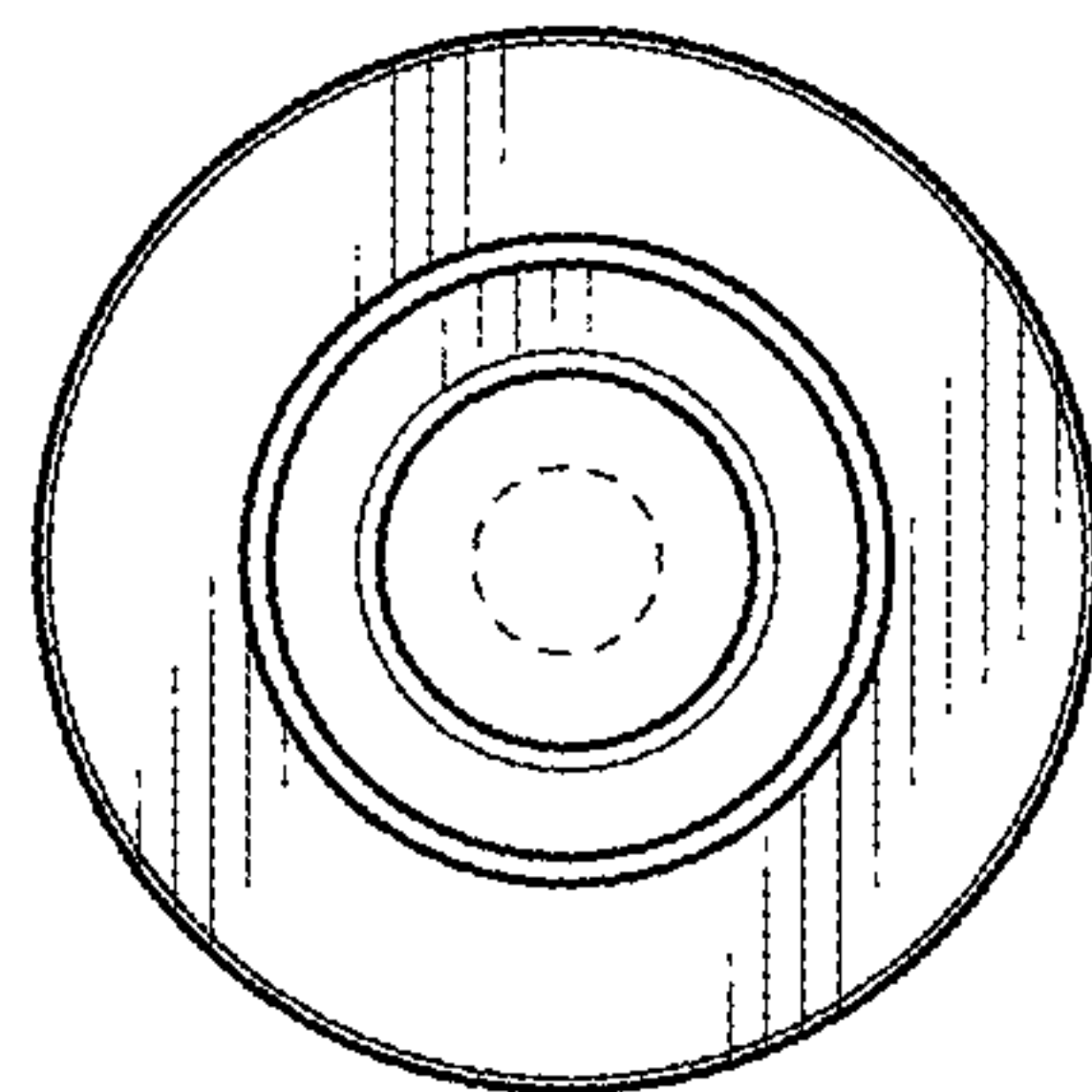


FIG. 5