

US00D948106S

(12) **United States Design Patent** (10) **Patent No.:** **US D948,106 S**  
**Yuan** (45) **Date of Patent:** **\*\* Apr. 5, 2022**

(54) **CAMPING LIGHT**  
(71) Applicant: **Yajun Yuan**, Yunmeng (CN)  
(72) Inventor: **Yajun Yuan**, Yunmeng (CN)  
(\*\*) Term: **15 Years**  
(21) Appl. No.: **29/778,813**  
(22) Filed: **Apr. 15, 2021**  
(51) **LOC (13) Cl.** ..... **26-05**  
(52) **U.S. Cl.**  
USPC ..... **D26/138**; D26/63  
(58) **Field of Classification Search**  
USPC ..... D26/60, 63, 72, 74, 76, 78-83, 85, 86,  
D26/88, 90, 93, 111, 113, 118, 119, 120,  
D26/121, 122, 138, 139, 140, 141, 142,  
D26/152  
CPC ..... F21S 2/00; F21S 4/00; F21S 4/003; F21S  
4/005; F21S 4/006; F21S 4/007; F21S  
4/008; F21S 6/00; F21S 8/00; F21S  
8/024; F21S 8/026; F21S 8/031; F21S  
8/033; F21S 8/035-037; F21S 8/04; F21S  
8/043; F21S 8/063  
See application file for complete search history.

8,322,877 B1 \* 12/2012 Merritt ..... F21V 21/15  
362/220  
D729,428 S 5/2015 Shen  
D745,737 S \* 12/2015 Stuckey ..... D26/138  
D748,836 S 2/2016 Zhang  
D833,048 S 11/2018 Chen  
D880,048 S \* 3/2020 Zhu ..... D26/106  
D901,749 S \* 11/2020 Chen ..... D26/106  
D908,267 S \* 1/2021 Tang ..... D26/106  
D908,274 S \* 1/2021 Wang ..... D26/138  
D909,456 S \* 2/2021 Xiao ..... D16/244  
D919,874 S \* 5/2021 Tang ..... D26/106  
D921,278 S \* 6/2021 Tang ..... D26/106  
D921,964 S \* 6/2021 Kawase ..... D26/138  
D927,583 S \* 8/2021 Feng ..... D16/237  
D929,022 S \* 8/2021 Tang ..... D26/106  
D929,643 S \* 8/2021 Feng ..... D26/106  
D930,224 S \* 9/2021 Lin ..... D26/106

\* cited by examiner

*Primary Examiner* — Natasha Vujcic

(57) **CLAIM**

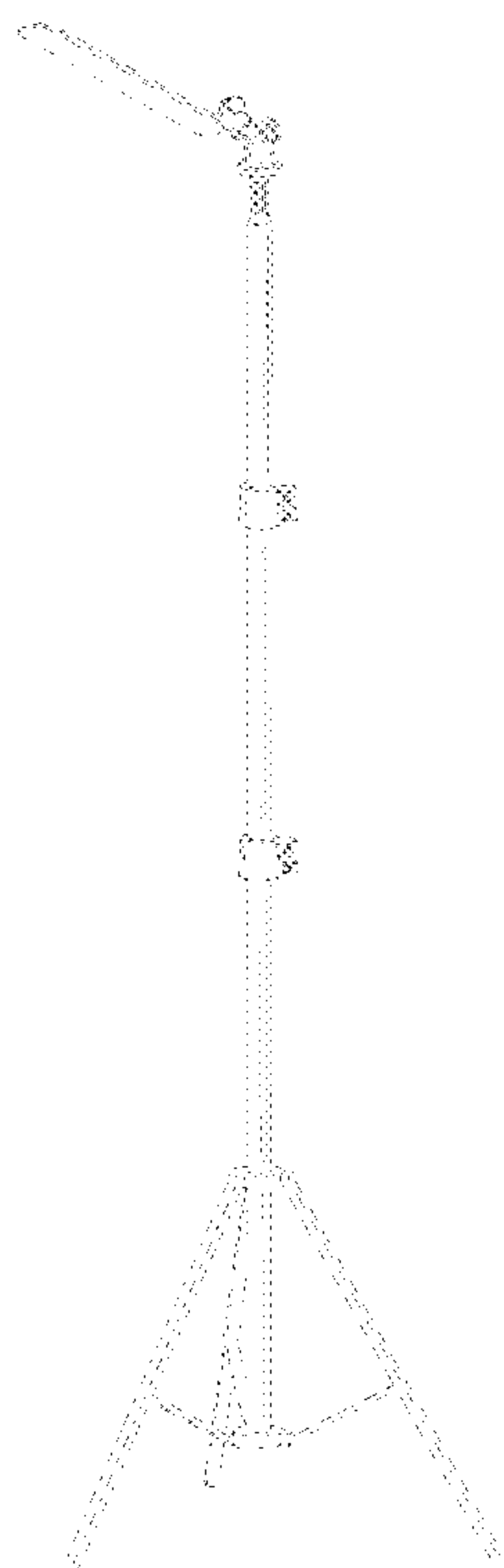
The ornamental design for a camping light, as shown and described.

**DESCRIPTION**

FIG. 1 is a perspective view of a camping light showing my new design;  
FIG. 2 is a front view thereof;  
FIG. 3 is a back view thereof;  
FIG. 4 is a left side view thereof;  
FIG. 5 is a right side view thereof;  
FIG. 6 is a top view thereof; and,  
FIG. 7 is a bottom view thereof.

**1 Claim, 7 Drawing Sheets**

(56) **References Cited**  
U.S. PATENT DOCUMENTS  
D291,011 S \* 7/1987 Fleming ..... D26/138  
6,019,484 A \* 2/2000 Seyler ..... F21L 14/04  
362/287  
D548,878 S \* 8/2007 Rupp ..... D26/138  
D598,156 S \* 8/2009 Xiao ..... D26/69



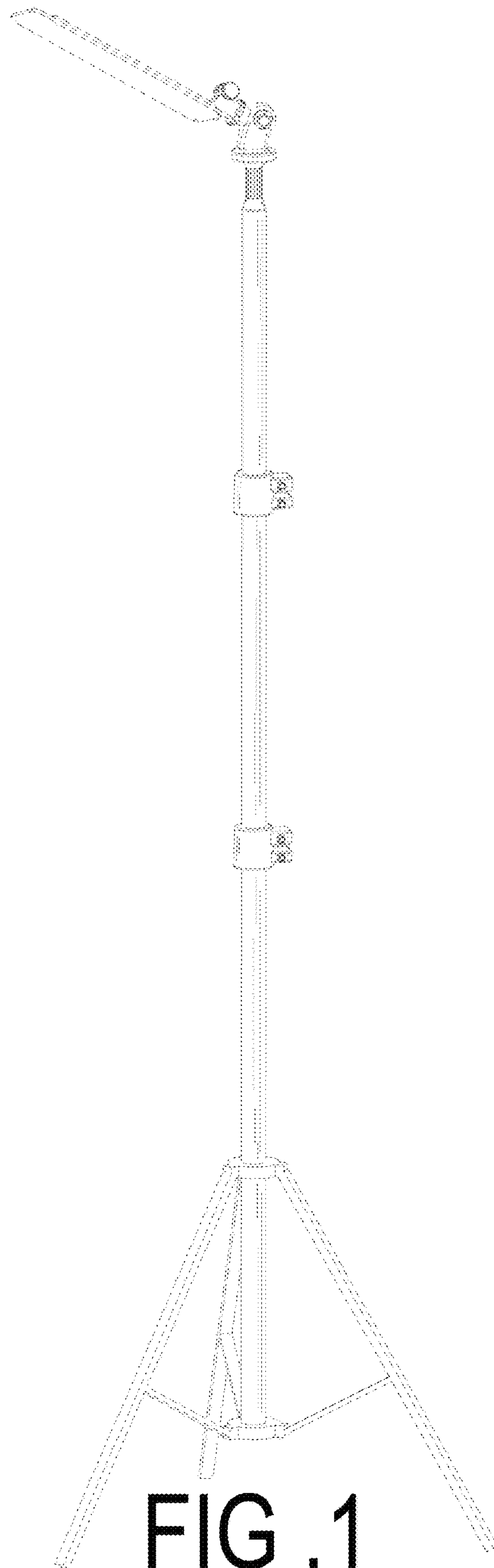


FIG. 1

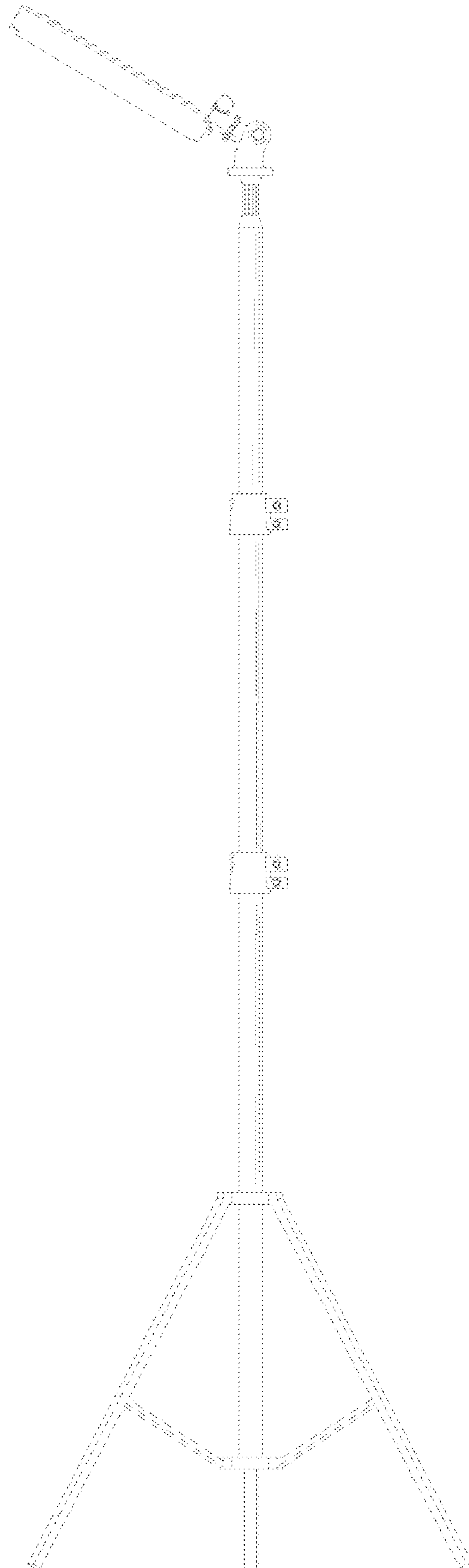


FIG .2

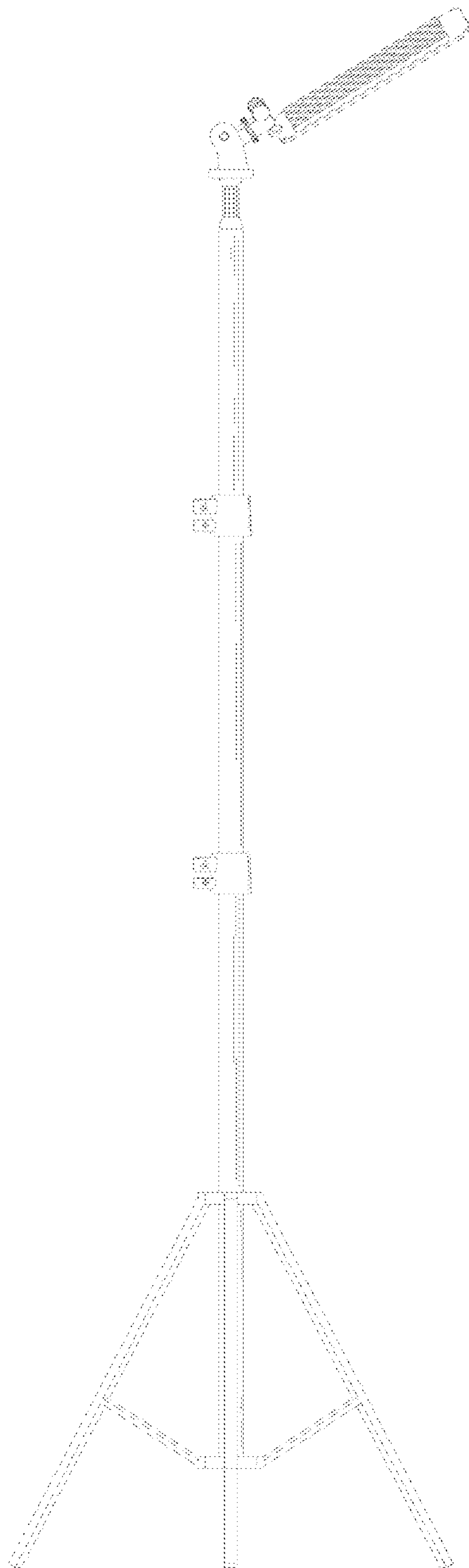


FIG .3

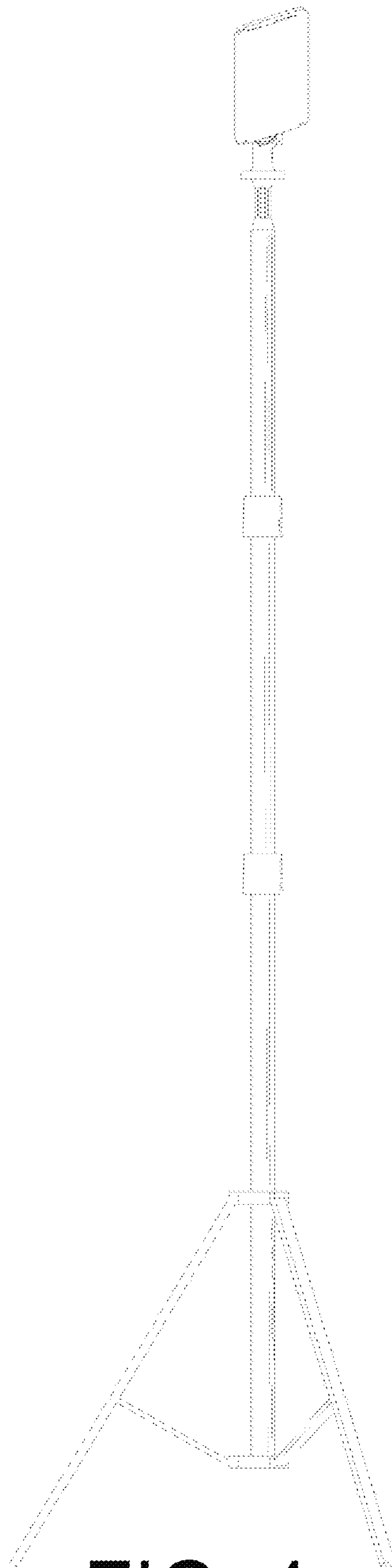


FIG .4

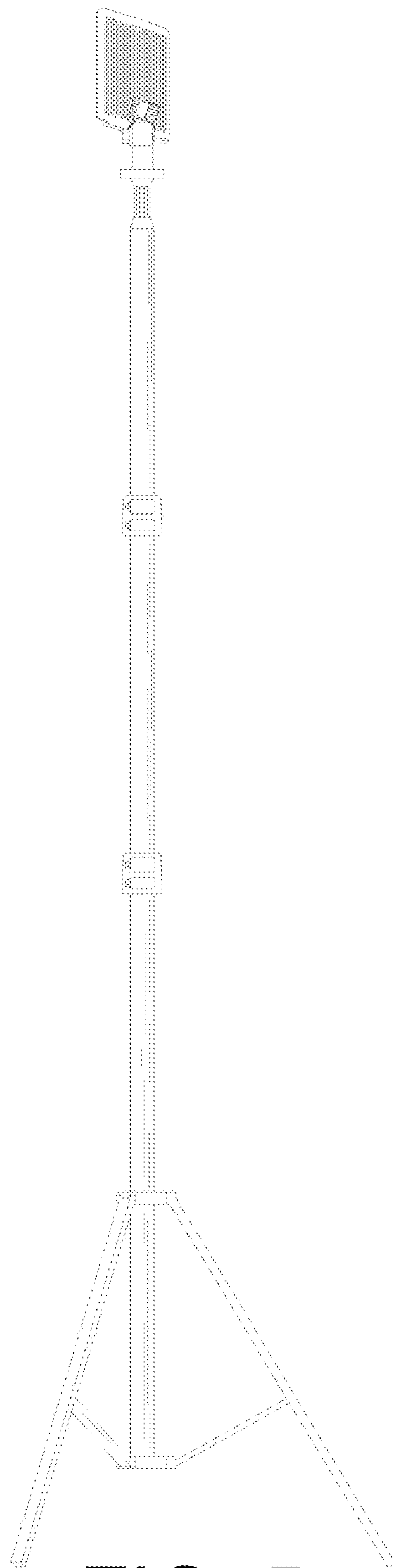


FIG .5

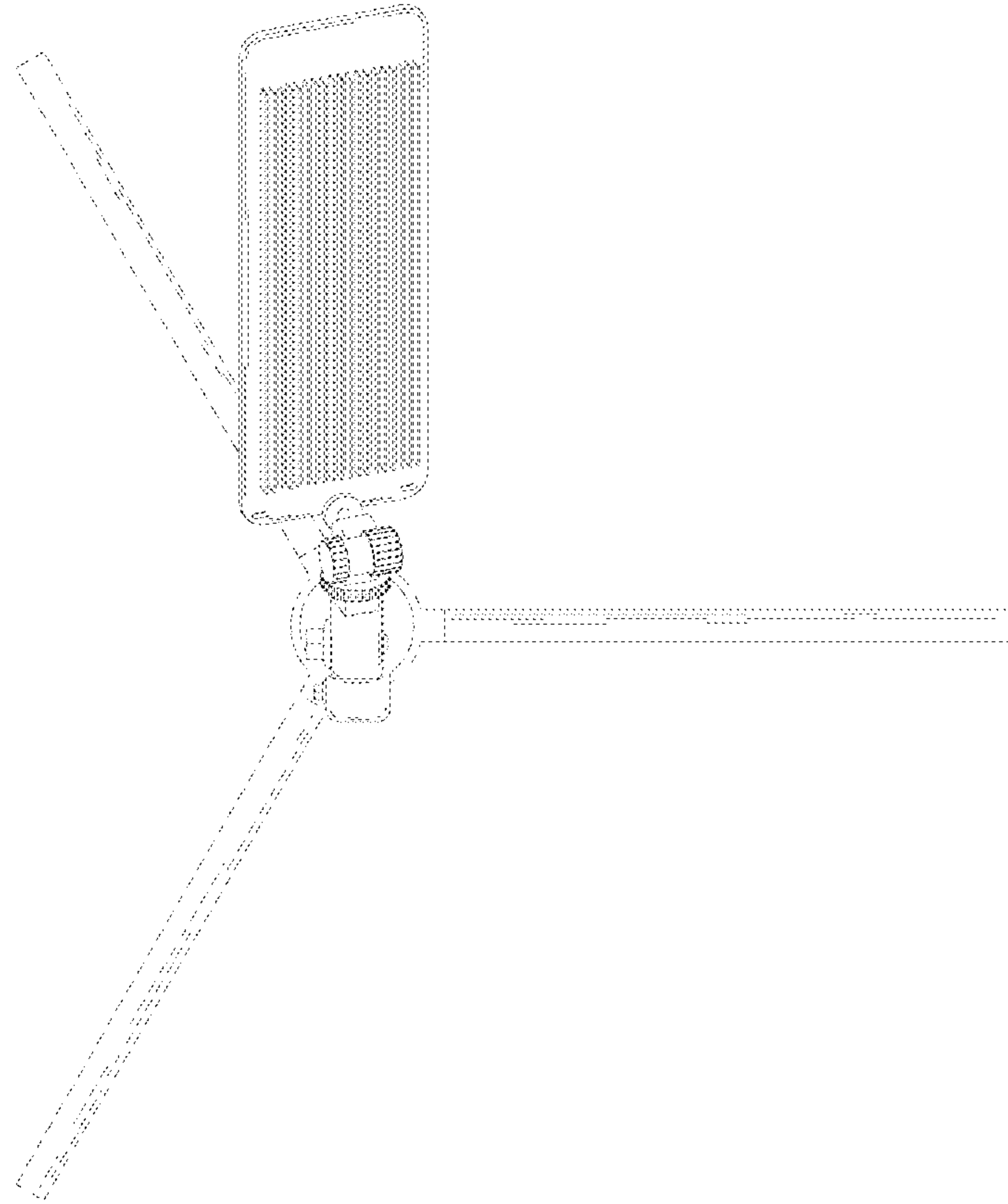


FIG .6

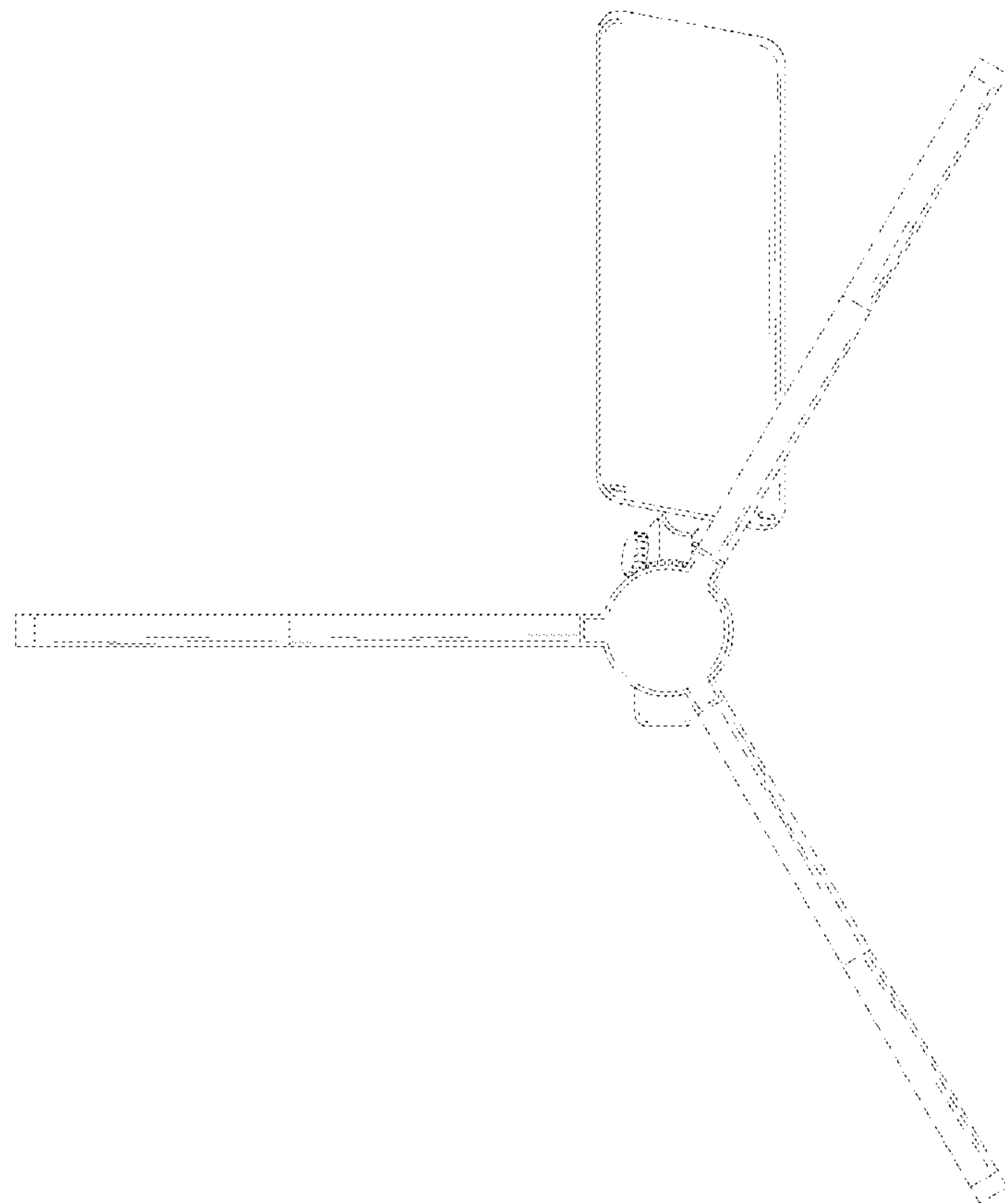


FIG .7