



US00D948105S

(12) **United States Design Patent** (10) **Patent No.:** **US D948,105 S**
Wu (45) **Date of Patent:** **** Apr. 5, 2022**

(54) **PROJECTION LAMP**

(71) Applicant: **Yifeng Wu**, Shenzhen (CN)

(72) Inventor: **Yifeng Wu**, Shenzhen (CN)

(**) Term: **15 Years**

(21) Appl. No.: **29/748,065**

(22) Filed: **Aug. 27, 2020**

(51) **LOC (13) Cl.** **26-05**

(52) **U.S. Cl.**
USPC **D26/108**; D26/51; D26/104

(58) **Field of Classification Search**
USPC D26/24, 51, 52, 93, 104, 106, 108, 110,
D26/112, 118; D14/216; D23/356
CPC F21S 6/00; F21S 9/02; F21S 10/00; F21S
10/06; F21V 3/00; F21V 5/00; F21V
5/007; F21V 5/04; F21V 7/04; F21V
33/00; F21W 2121/00; F21W 2131/30
See application file for complete search history.

(56) **References Cited**

U.S. PATENT DOCUMENTS

D814,686	S	*	4/2018	Chen	D26/110
D867,626	S	*	11/2019	Song	D26/24
D875,994	S	*	2/2020	Yu	D26/104
D898,271	S	*	10/2020	Zheng	D26/110
D901,747	S	*	11/2020	Lin	D26/94
10,830,410	B1	*	11/2020	Wei	F21V 11/16
D907,281	S	*	1/2021	Wu	D26/104
D912,883	S	*	3/2021	Zheng	D26/110
D914,958	S	*	3/2021	Zheng	D26/110
D919,146	S	*	5/2021	Li	D26/51
D919,875	S	*	5/2021	Peng	D26/110
D919,876	S	*	5/2021	Ouyang	D26/110
D922,664	S	*	6/2021	Li	D26/106
D927,045	S	*	8/2021	Li	D26/110
D927,751	S	*	8/2021	Zheng	D26/51
D927,765	S	*	8/2021	Li	D26/106
D927,767	S	*	8/2021	Zheng	D26/110

D930,222	S	*	9/2021	Song	D26/106
D933,282	S	*	10/2021	Ji	D26/93
11,156,352	B1	*	10/2021	Li	F21V 23/006
2021/0164628	A1	*	6/2021	Zheng	F21S 10/00
2021/0364142	A1	*	11/2021	Zheng	F21V 33/0056

(Continued)

FOREIGN PATENT DOCUMENTS

EM 008157101-0001 * 12/2020

OTHER PUBLICATIONS

YiaMia Star Projector, Oct. 22, 2020, Amazon.com, site visited Jan. 18, 2022, url: <https://www.amazon.com/dp/B08LNP964T> (Year: 2020).*

(Continued)

Primary Examiner — T Chase Nelson
Assistant Examiner — Rachel Wolfe
(74) *Attorney, Agent, or Firm* — ScienBiziP, P.C.

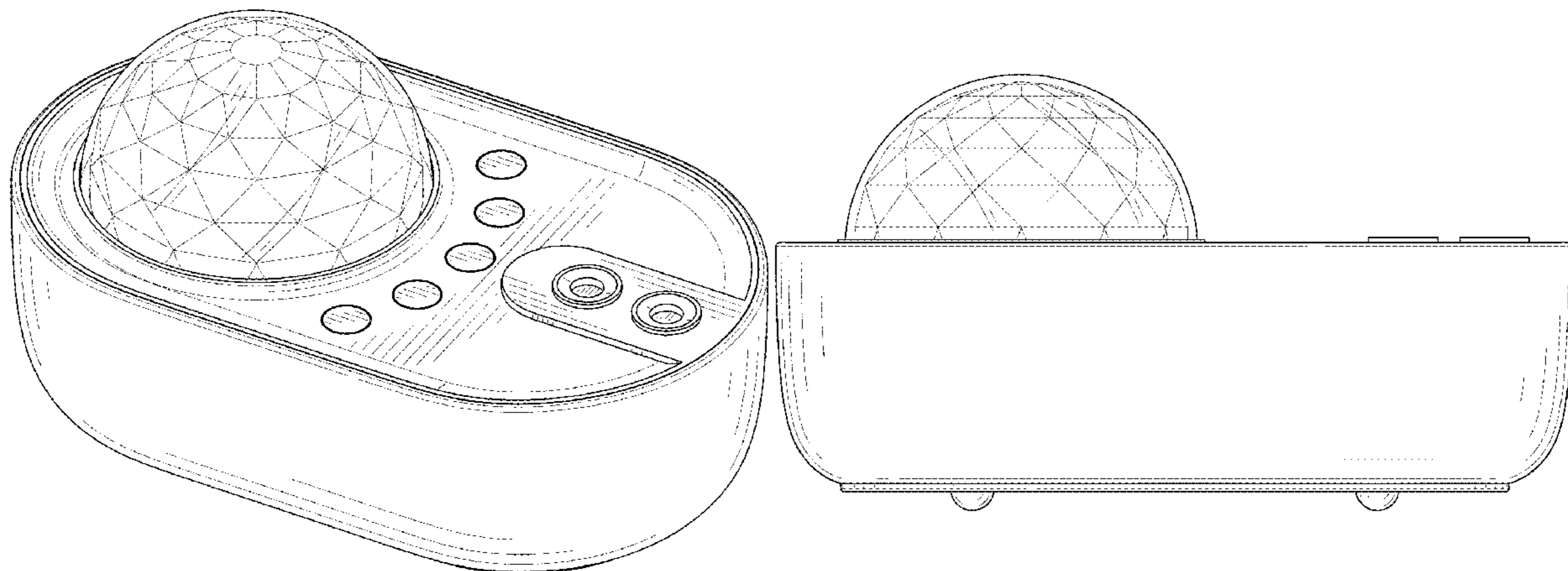
(57) **CLAIM**

The ornamental design for a projection lamp, as shown and described.

DESCRIPTION

FIG. 1 is a top, front, right side perspective view of a projection lamp, showing my design.
FIG. 2 is a bottom, rear, left side perspective view thereof.
FIG. 3 is a front elevation view thereof.
FIG. 4 is a rear elevation view thereof.
FIG. 5 is a left side elevation view thereof.
FIG. 6 is a right side elevation view thereof.
FIG. 7 is a top plan view thereof; and,
FIG. 8 is a bottom plan view thereof.
The broken lines shown in the drawings are included for the purpose of illustrating portions of the projection lamp that form no part of the claimed design.

1 Claim, 8 Drawing Sheets



(56)

References Cited

U.S. PATENT DOCUMENTS

2021/0381666 A1* 12/2021 Zheng F21V 14/04

OTHER PUBLICATIONS

Galaxy Projector Review, May 20, 2020, YouTube, site visited Dec. 30, 2021, url: <https://www.youtube.com/watch?v=9mHWCgY9ZPE> (Year: 2020).*

Anncary Spaceship Projection Lights, Sep. 24, 2020, Amazon.com, site visited Jan. 18, 2022, url: <https://www.amazon.com/dp/B08JX7X8XT?th=1> (Year: 2020).*

* cited by examiner

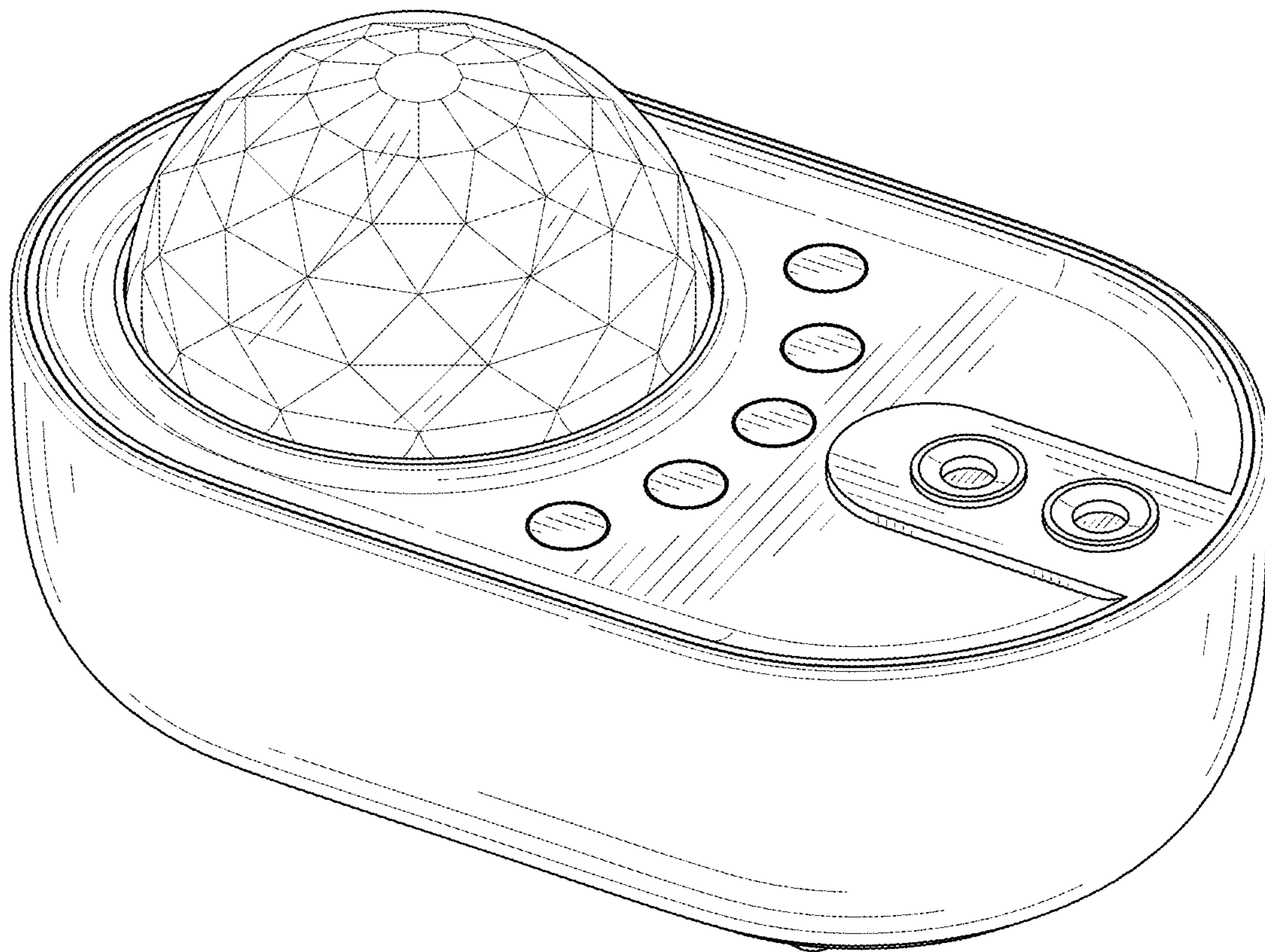


FIG. 1

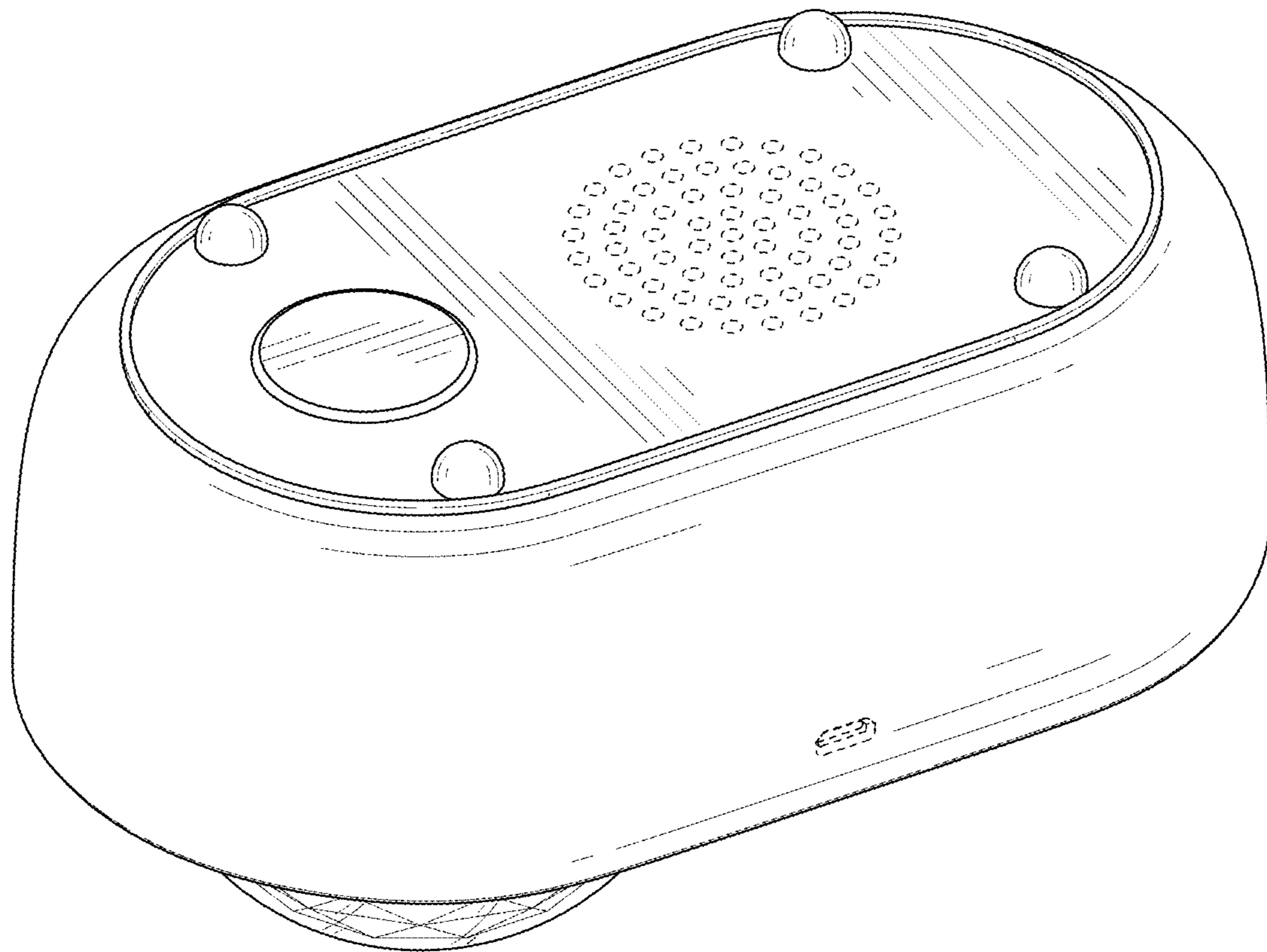


FIG. 2

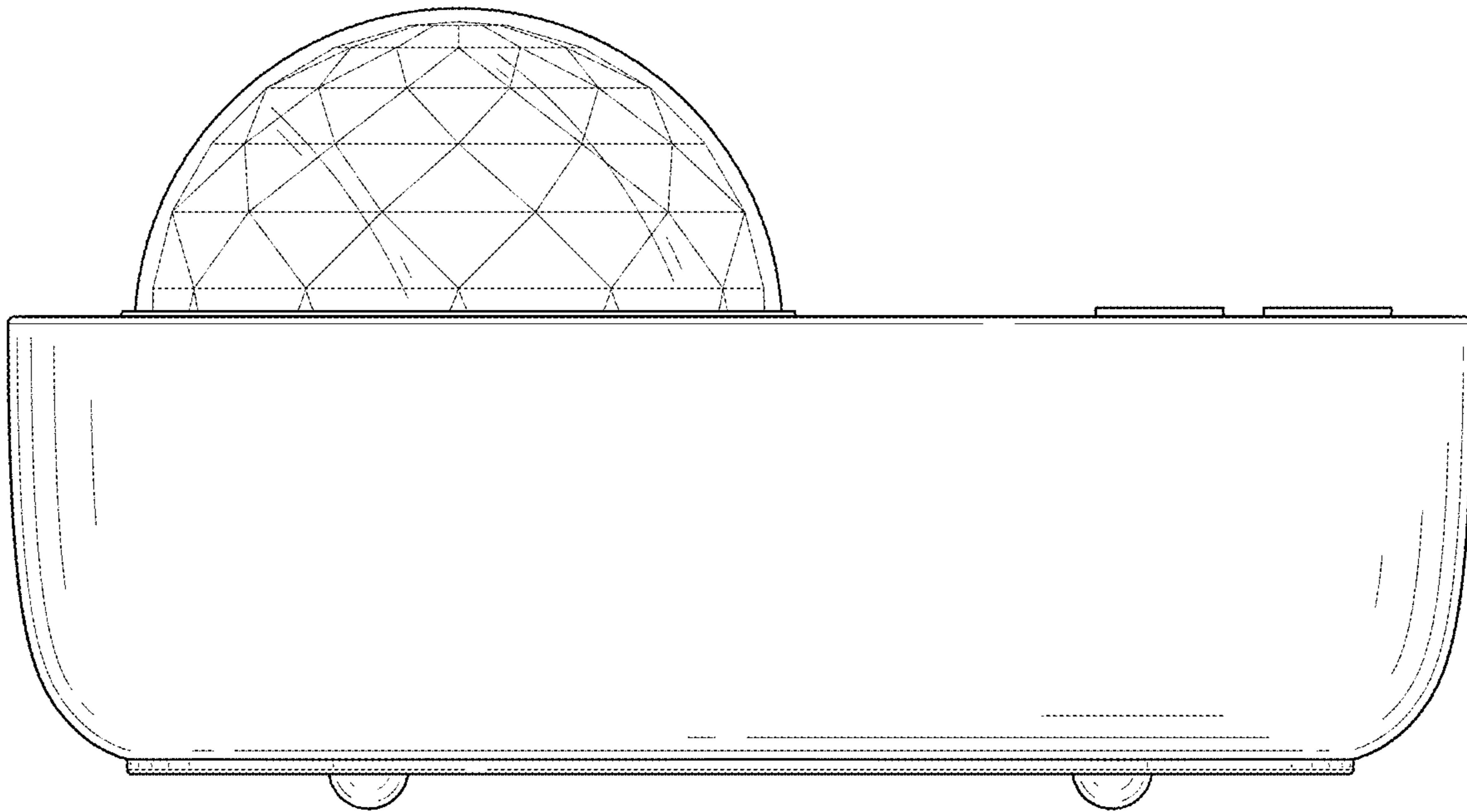


FIG. 3

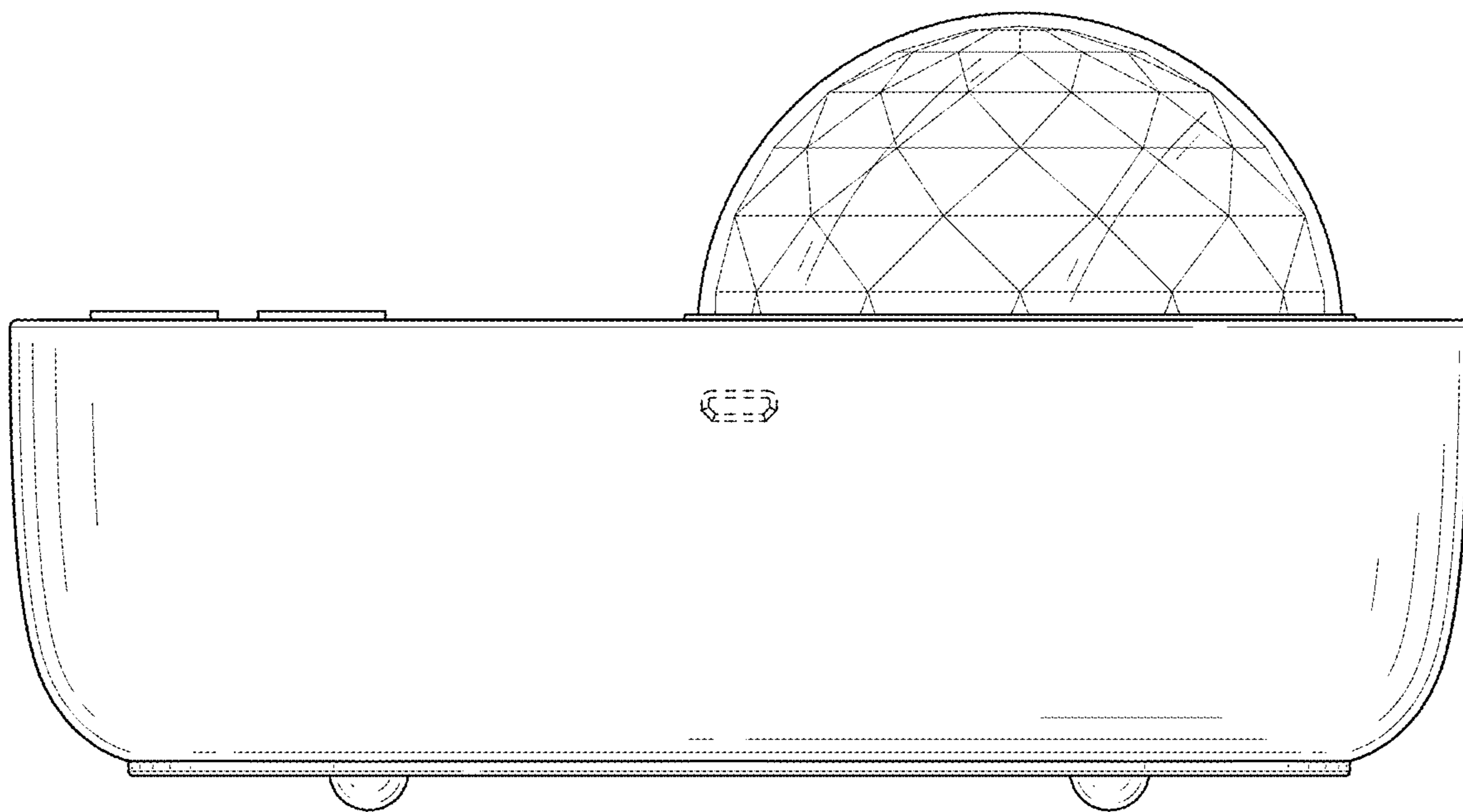


FIG. 4

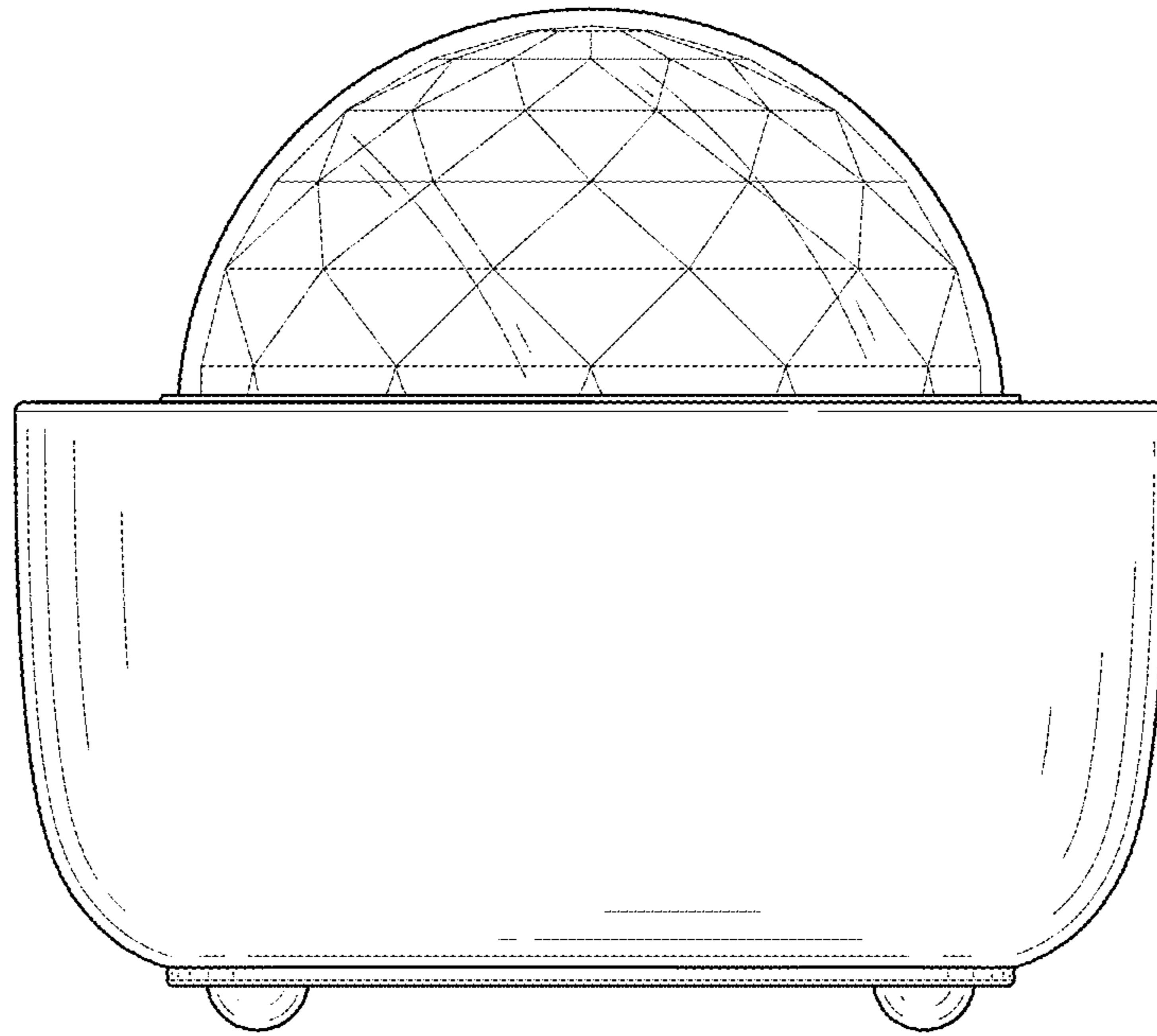


FIG. 5

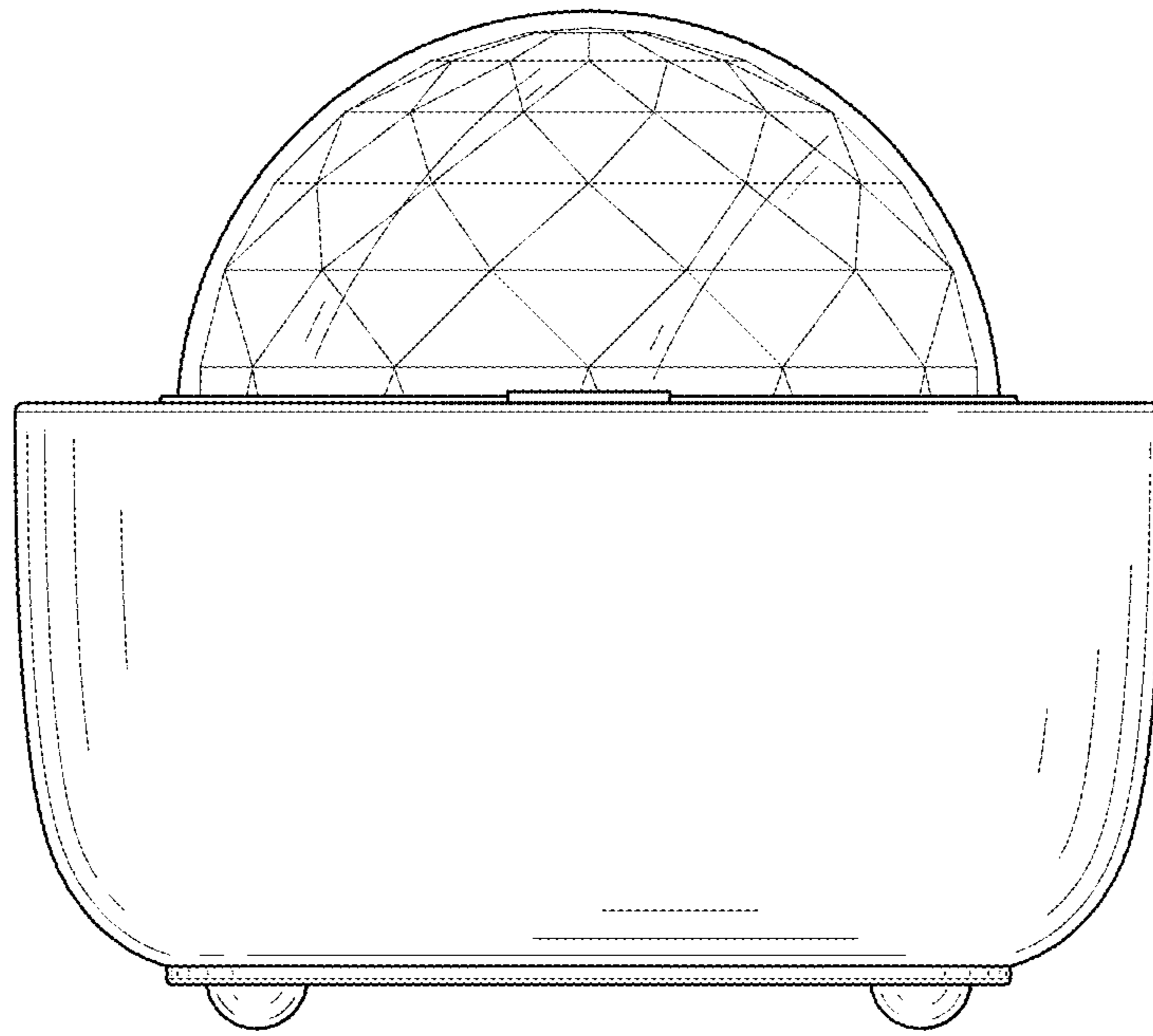


FIG. 6

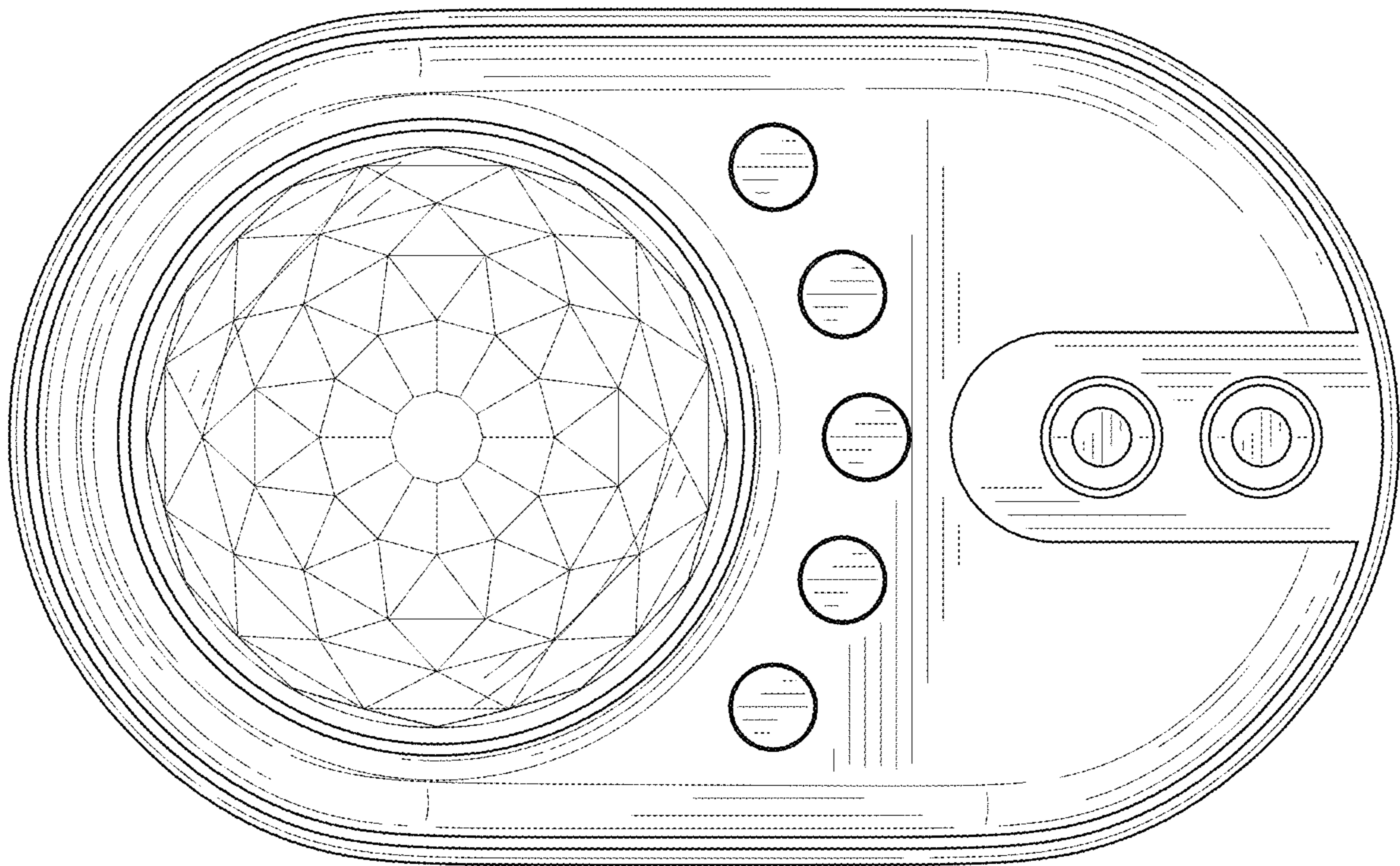


FIG. 7

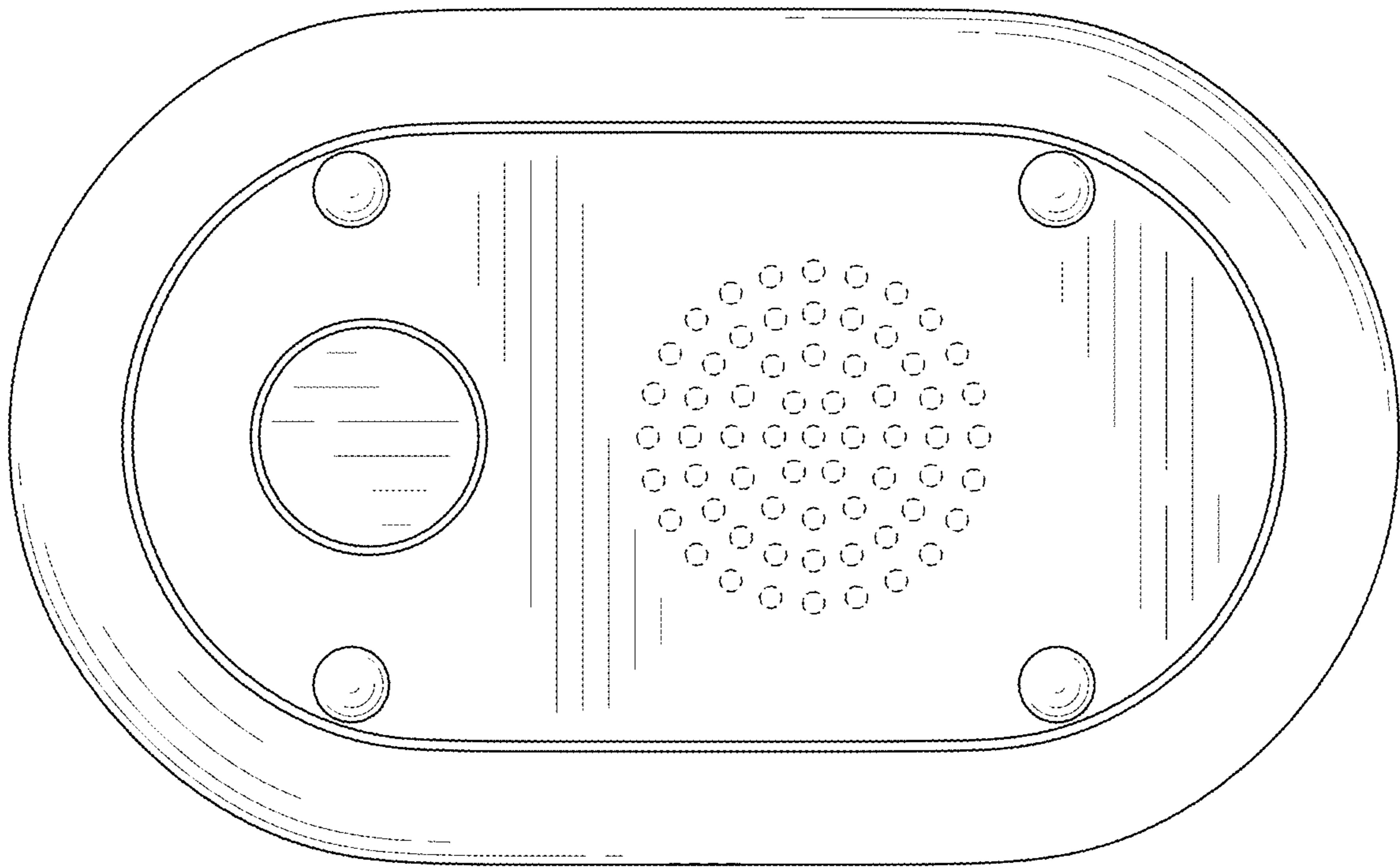


FIG. 8