



US00D948104S

(12) **United States Design Patent** (10) **Patent No.:** **US D948,104 S**
Gu (45) **Date of Patent:** **** Apr. 5, 2022**

(54) **FLOOR LAMP**

(71) Applicant: **SHENZHEN BLING LIGHTING TECHNOLOGIES CO., LTD,**
Shenzhen (CN)

(72) Inventor: **Hulin Gu,** Xiamen (CN)

(73) Assignee: **SHENZHEN BLING LIGHTING TECHNOLOGIES CO., LTD,**
Shenzhen (CN)

(**) Term: **15 Years**

(21) Appl. No.: **29/782,309**

(22) Filed: **May 6, 2021**

(30) **Foreign Application Priority Data**

Apr. 7, 2021 (CN) 202130191701.9

(51) **LOC (13) Cl.** **26-05**

(52) **U.S. Cl.**
USPC **D26/107**

(58) **Field of Classification Search**

USPC D26/24, 61, 93, 102, 106, 110, 107
CPC F21S 6/00; F21S 8/032; F21S 6/005; F21S
8/03; F21S 8/033; F21L 2/00; F21L 4/00;
F21L 4/02; F21L 4/025; F21L 4/027;
F21L 14/00

See application file for complete search history.

(56) **References Cited**

U.S. PATENT DOCUMENTS

D589,645 S * 3/2009 Citterio D26/107
D709,235 S * 7/2014 Chu D26/65
D744,692 S * 12/2015 Poulton D26/107
D800,953 S 10/2017 Zandee
D810,995 S * 2/2018 de la Haye D26/107
D819,856 S * 6/2018 Gelman D26/102
D824,579 S * 7/2018 Chen D26/65
D854,227 S * 7/2019 Yu D26/106

D871,648 S * 12/2019 Tong D26/107
D875,995 S 2/2020 Wang
D916,355 S * 4/2021 Sánchez González D26/93
D929,643 S * 8/2021 Feng D16/244
D930,223 S * 9/2021 Ran D16/244
D937,470 S * 11/2021 Van Duysen D26/107

(Continued)

FOREIGN PATENT DOCUMENTS

CN 202130191701.9 * 7/2021

OTHER PUBLICATIONS

Amazon, "Banord Smart Floor Lamp", first available Jun. 7, 2021.
(<https://www.amazon.com/dp/B096R9QX2V/>) (Year: 2021).*

(Continued)

Primary Examiner — Lauren D McVey

Assistant Examiner — Justin A Johnson

(57) **CLAIM**

The ornamental design for a floor lamp, as shown and described.

DESCRIPTION

FIG. 1 is a perspective view of a floor lamp showing my new design;

FIG. 2 is another perspective view thereof;

FIG. 3 is a front elevational view thereof;

FIG. 4 is a rear elevational view thereof;

FIG. 5 is a left side elevational view thereof;

FIG. 6 is a right side elevational view thereof;

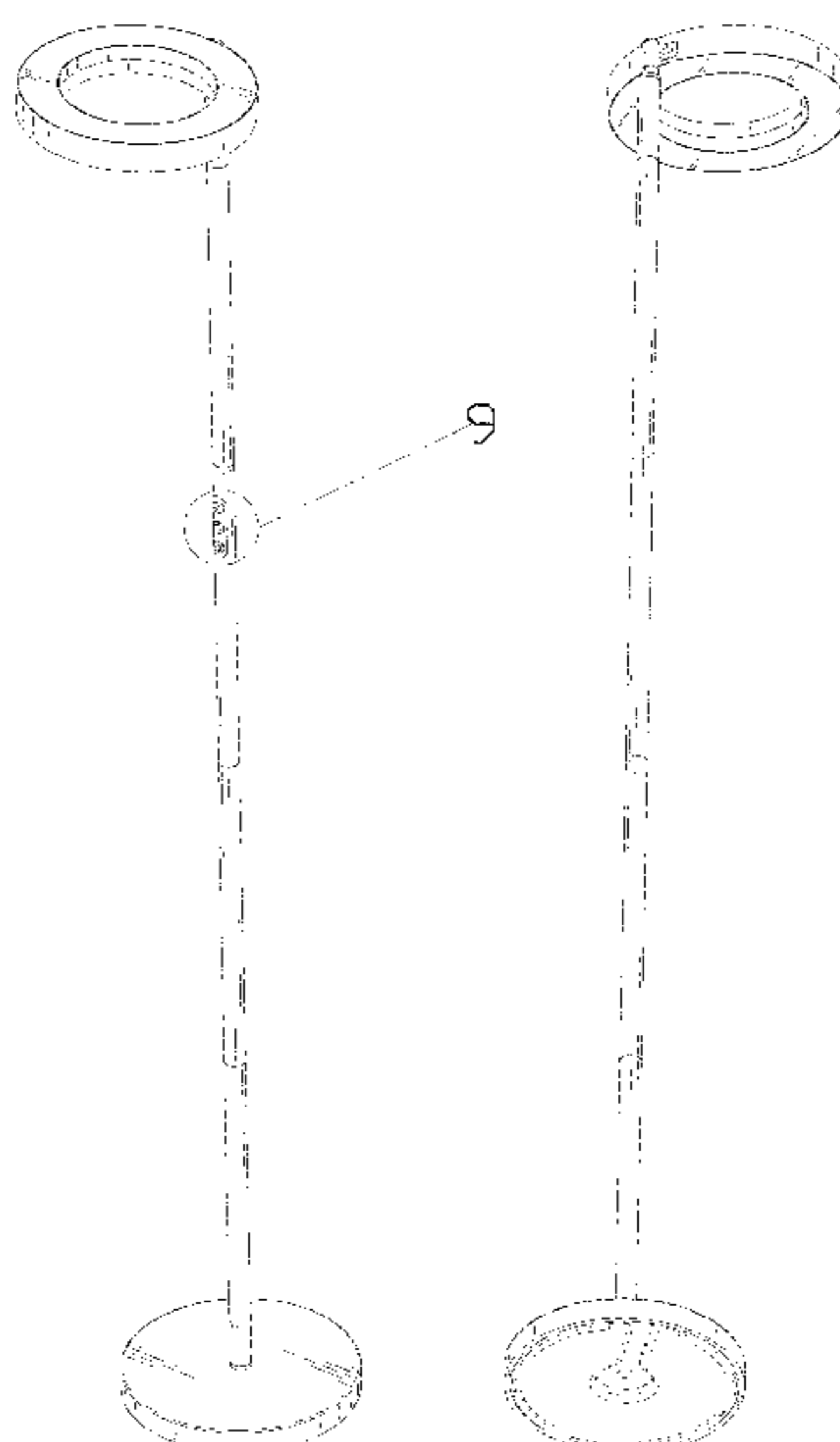
FIG. 7 is a top plan view thereof;

FIG. 8 is a bottom plan view thereof; and,

FIG. 9 is an enlarged view of portion 9 shown in FIG. 1.

The even length broken lines in the drawings depict portions of the floor lamp that form no part of the claimed design. In addition, the dot-dash broken lines illustrate enlarged portions of the design.

1 Claim, 9 Drawing Sheets



(56)

References Cited

U.S. PATENT DOCUMENTS

D938,094 S * 12/2021 Wang D26/106

OTHER PUBLICATIONS

Amazon, "Meross Smart LED Floor Lamp", first available Jul. 22, 2021. (<https://www.amazon.com/dp/B091T5YZJ4/>) (Year: 2021).*

Amazon, "RGB LED Floor Lamp Remote Control", first available Apr. 27, 2021. (<https://www.amazon.com/dp/B093LDHJZP/>) (Year: 2021).*

Amazon, "YIOU Floor Lamp", first available Apr. 5, 2021. (<https://www.amazon.com/YIOU-Lamp-Temperature-Stepless-Standing/dp/B08RK2CXYC?th=1>) (Year: 2021).*

* cited by examiner

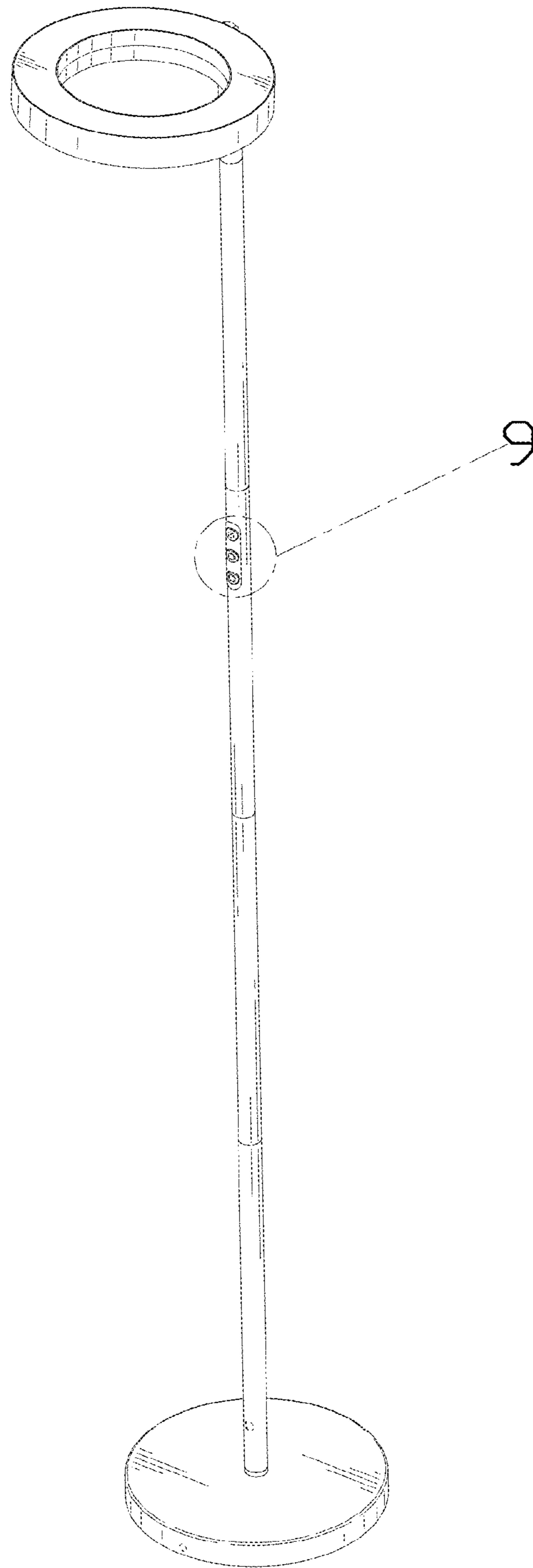


FIG. 1

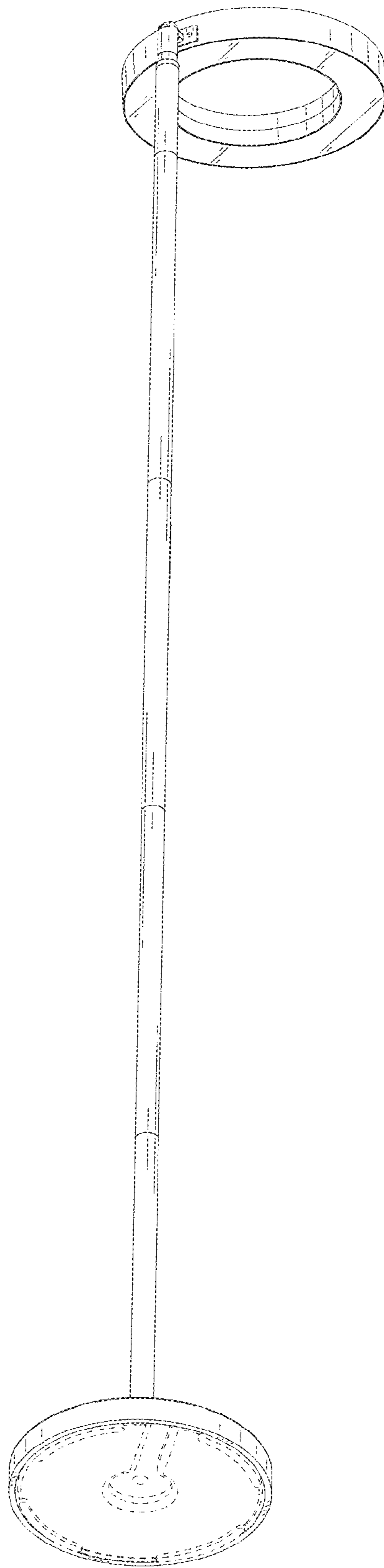


FIG. 2

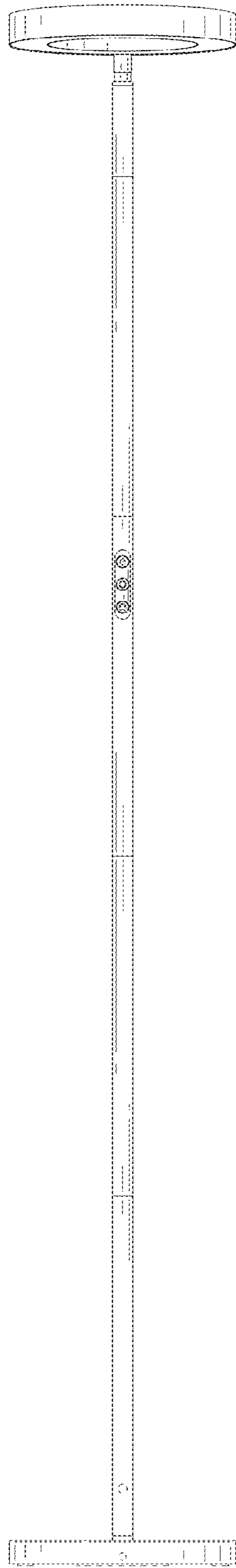


FIG. 3

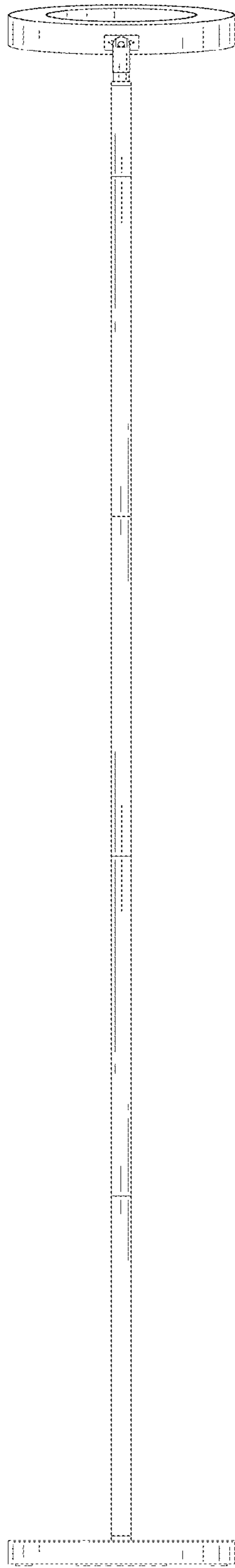


FIG. 4

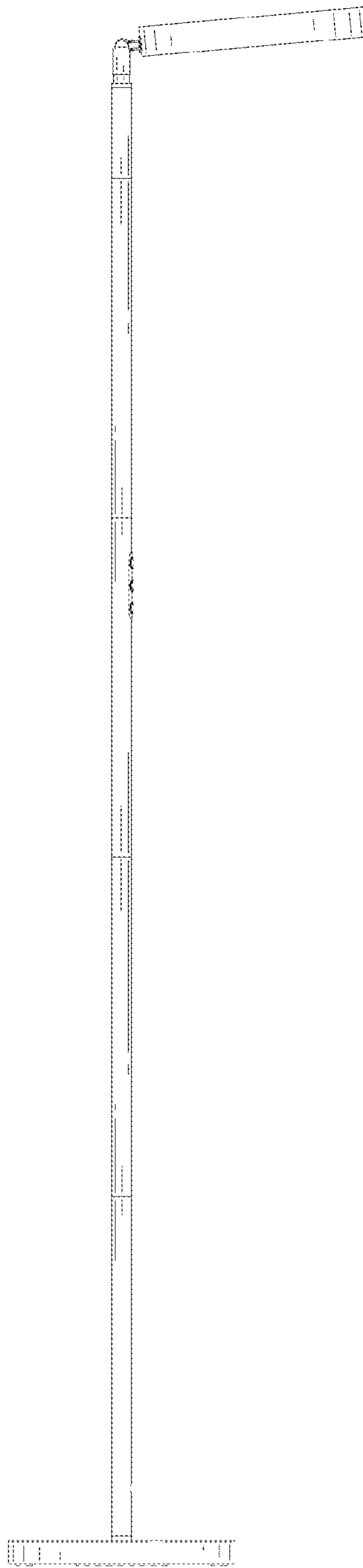


FIG. 5

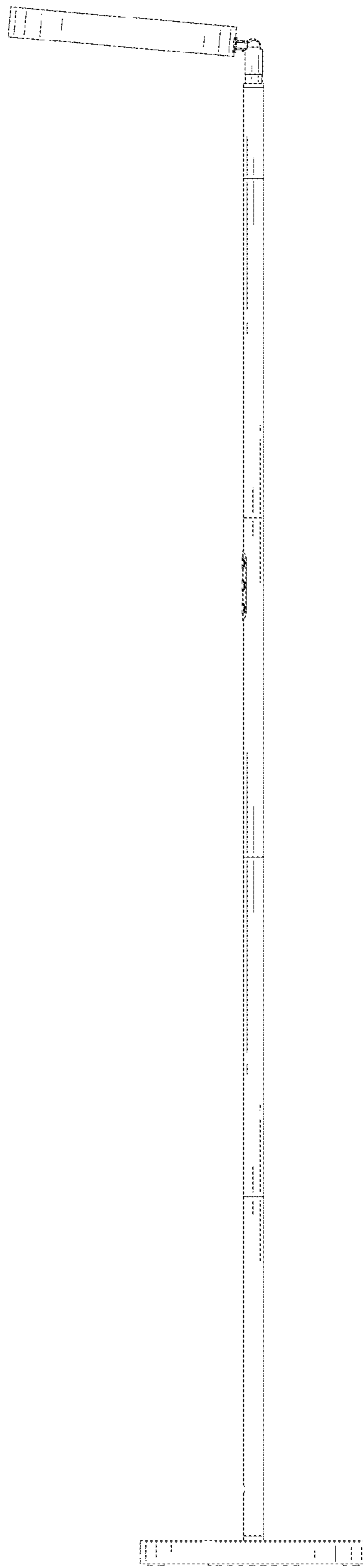


FIG. 6

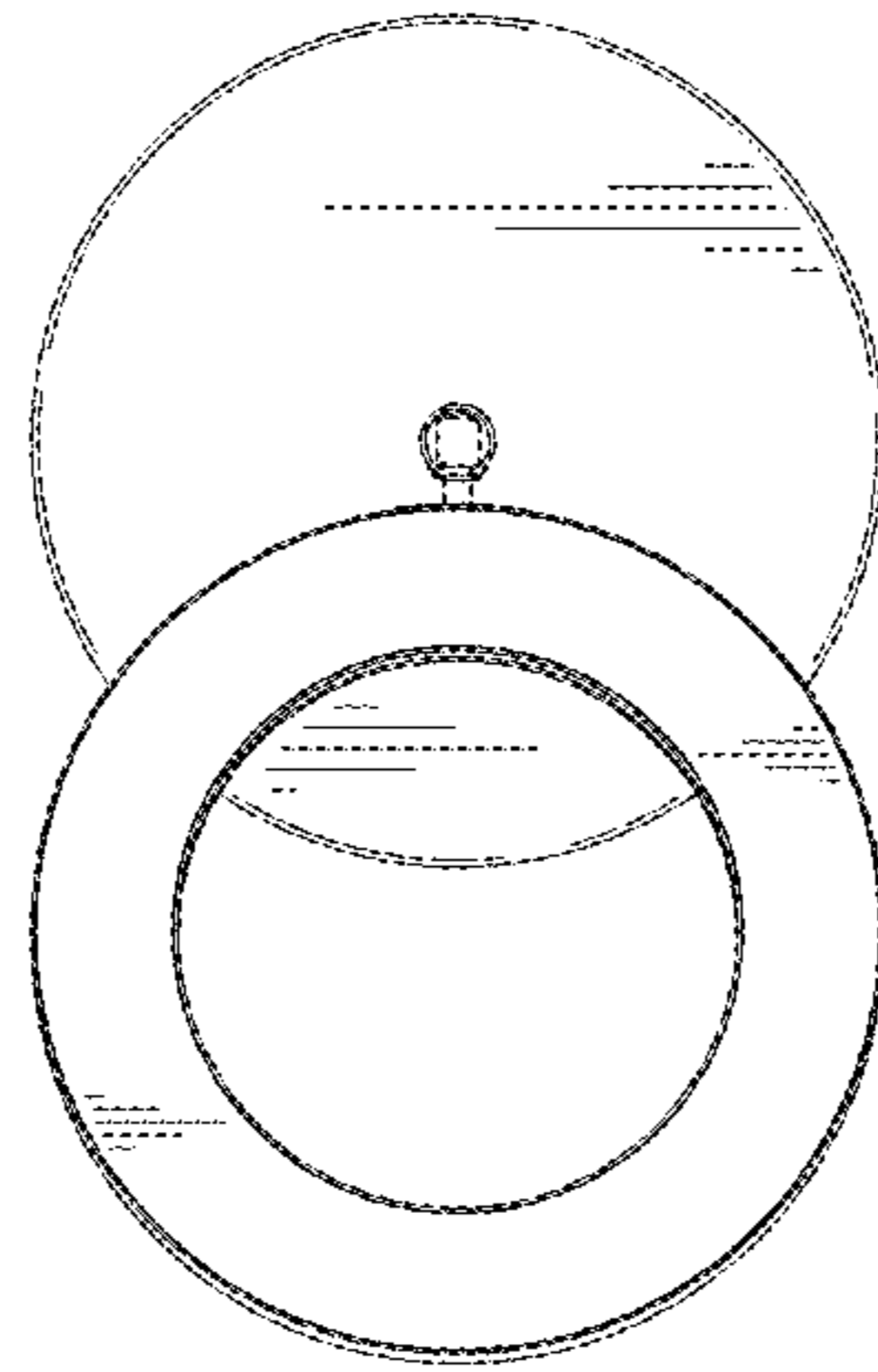


FIG. 7

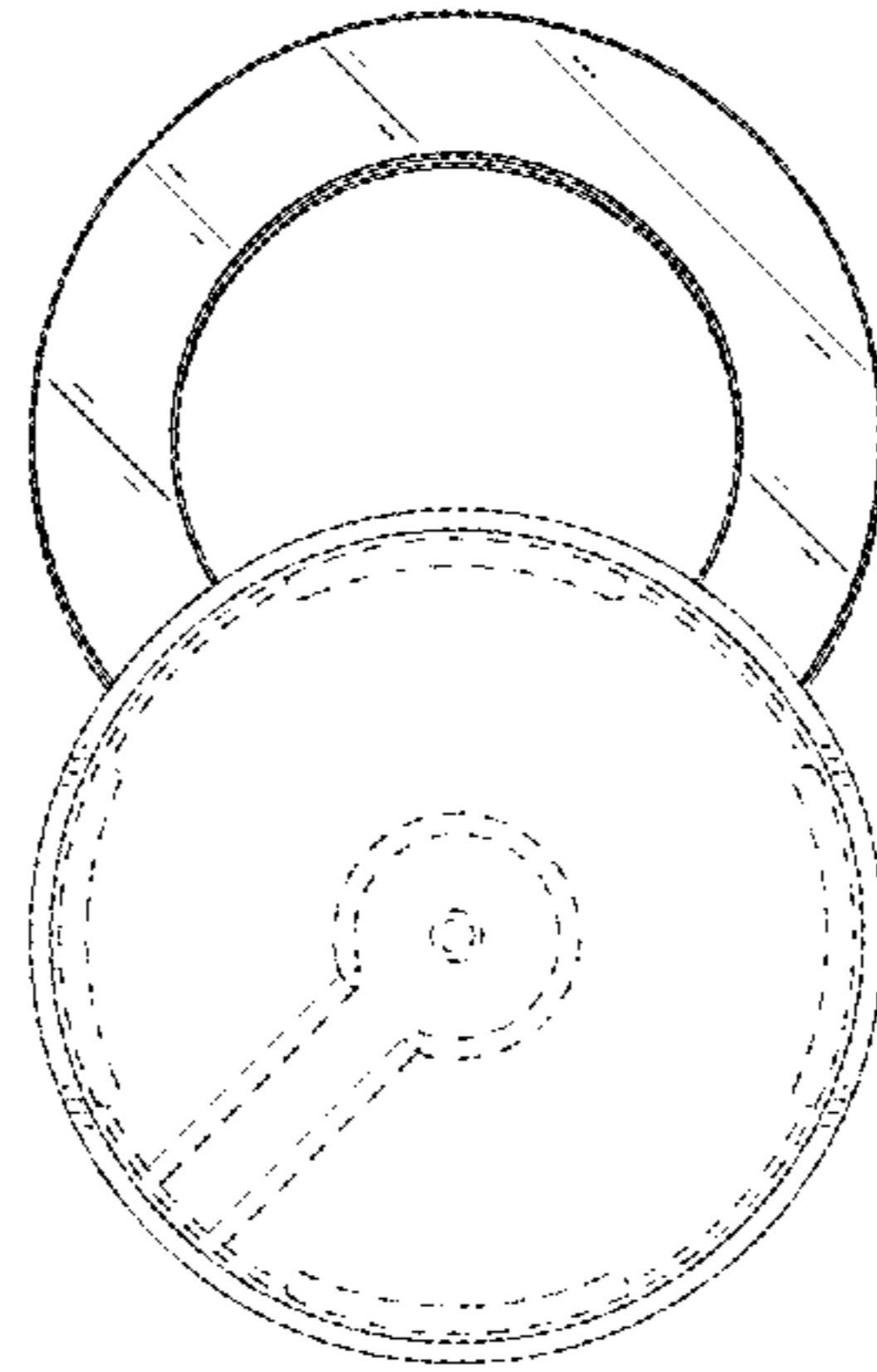


FIG. 8

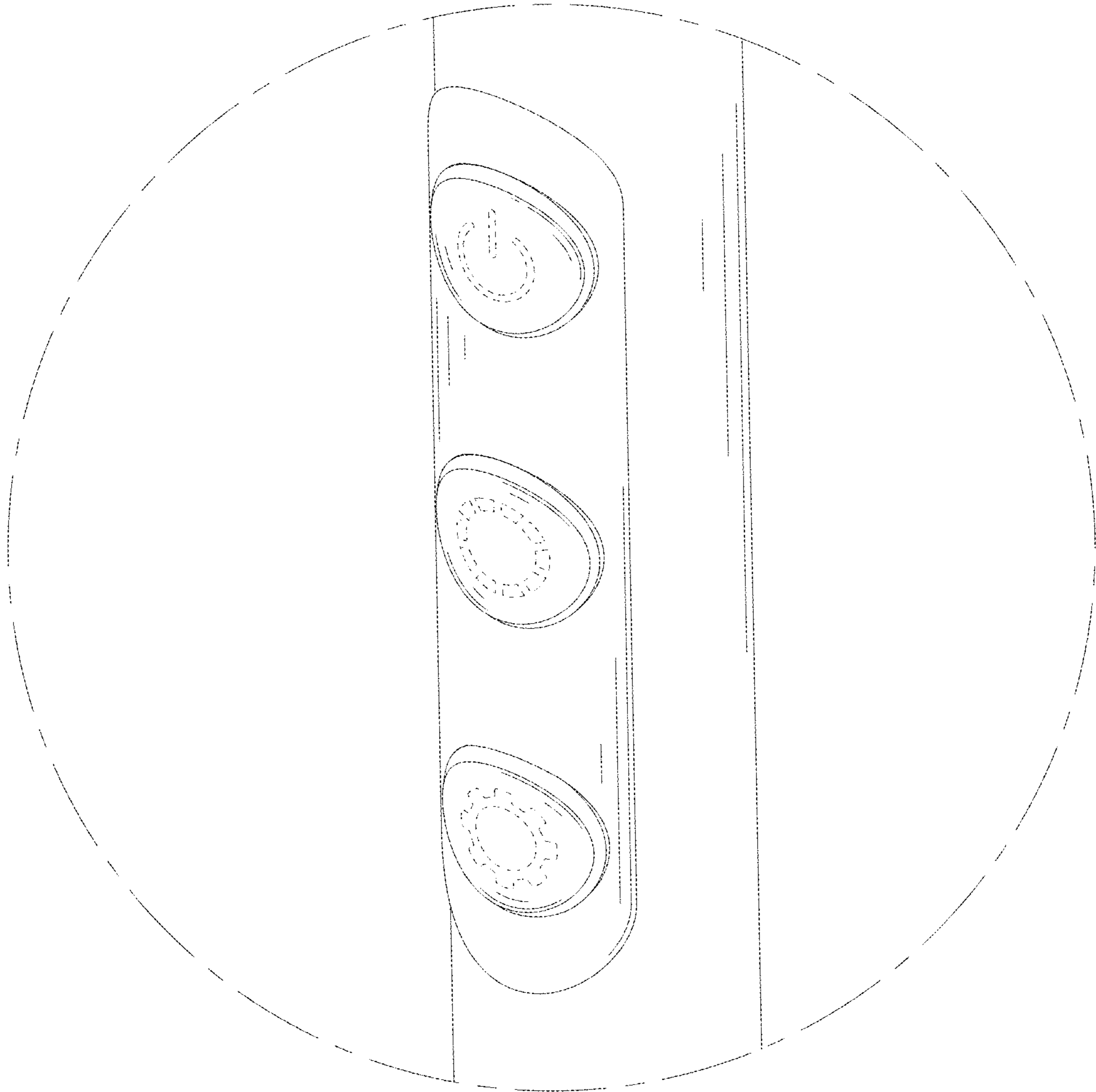


FIG. 9