



US00D948103S

(12) **United States Design Patent**  
**Tong**

(10) **Patent No.:** **US D948,103 S**

(45) **Date of Patent:** **\*\* Apr. 5, 2022**

(54) **LAMP**

(71) Applicant: **Shenzhen Highstar Electrical Co., Ltd.**, Guangdong (CN)

(72) Inventor: **Guoming Tong**, Guangdong (CN)

(73) Assignee: **Shenzhen Highstar Electrical Co., Ltd.**, Shenzhen (CN)

(\*\*) Term: **15 Years**

(21) Appl. No.: **29/735,159**

(22) Filed: **May 19, 2020**

(30) **Foreign Application Priority Data**

Mar. 12, 2020 (CN) ..... 202030080747.9

(51) **LOC (13) Cl.** ..... **26-05**

(52) **U.S. Cl.**  
USPC ..... **D26/107**; D26/63; D26/65

(58) **Field of Classification Search**  
USPC ..... D26/24, 51, 56, 61, 63, 64, 65, 93, 94,  
D26/100, 106, 107

CPC .... F21S 6/00; F21S 6/002; F21S 6/003; F21S  
6/004; F21S 6/005; F21S 6/006; F21S  
8/036; F21V 21/06; F21V 21/14; F21V  
21/26; F21V 21/30; F21V 12/01

See application file for complete search history.

(56) **References Cited**

**U.S. PATENT DOCUMENTS**

D523,164 S \* 6/2006 Ng ..... D26/65  
D637,332 S \* 5/2011 Lee ..... D26/63  
D641,907 S \* 7/2011 Lee ..... D26/65  
D753,861 S \* 4/2016 Yong Joon ..... D26/63  
D759,282 S \* 6/2016 Lee ..... D26/65  
D800,937 S \* 10/2017 Li ..... D26/63  
D804,071 S \* 11/2017 Xu ..... D26/63

D840,583 S \* 2/2019 Yu ..... D26/107  
D850,686 S \* 6/2019 Wang ..... D26/60  
D855,230 S \* 7/2019 Zhang ..... D26/63  
D858,835 S \* 9/2019 Xiao ..... D26/51  
D866,845 S \* 11/2019 Gruendl ..... D26/107  
D871,649 S \* 12/2019 Meise ..... D26/107  
D873,463 S \* 1/2020 Wang ..... D26/65  
D913,557 S \* 3/2021 Hodgson ..... D26/65  
D918,449 S \* 5/2021 Raghunathan ..... D26/51  
D929,027 S \* 8/2021 Zhu ..... D26/107  
D935,684 S \* 11/2021 Wu ..... D26/107  
D936,885 S \* 11/2021 Yang ..... D26/63  
D937,463 S \* 11/2021 Zheng ..... D26/65  
2008/0284353 A1 \* 11/2008 Yoo ..... H05B 35/00  
315/294  
2020/0355359 A1 \* 11/2020 Pan ..... H05B 47/105

\* cited by examiner

*Primary Examiner* — Wan Laymon

*Assistant Examiner* — Clint A Samuel

(57) **CLAIM**

The ornamental design for a lamp, as shown and described.

**DESCRIPTION**

FIG. 1 is a top, front and right side perspective view of a lamp showing my new design;

FIG. 2 is a bottom, rear and left side perspective view thereof;

FIG. 3 is a front elevational view thereof;

FIG. 4 is a rear elevational view thereof;

FIG. 5 is a left side view thereof;

FIG. 6 is a right side view thereof;

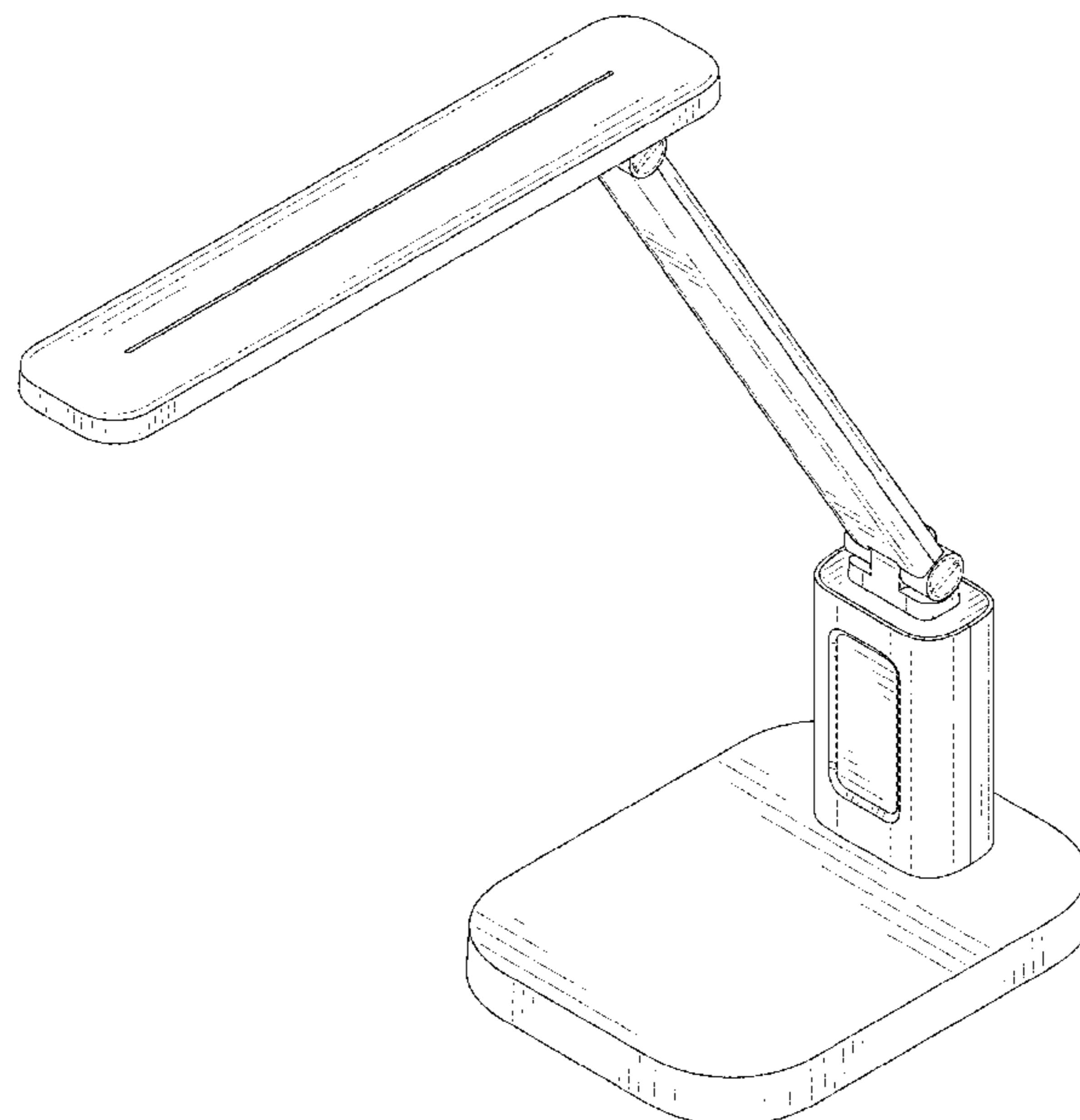
FIG. 7 is a top plan view thereof; and,

FIG. 8 is a bottom plan view thereof.

The oblique shade lines in the drawings represent a transparent surface.

The broken lines in the drawings illustrate portions of the lamp which form no part of the claimed design.

**1 Claim, 8 Drawing Sheets**



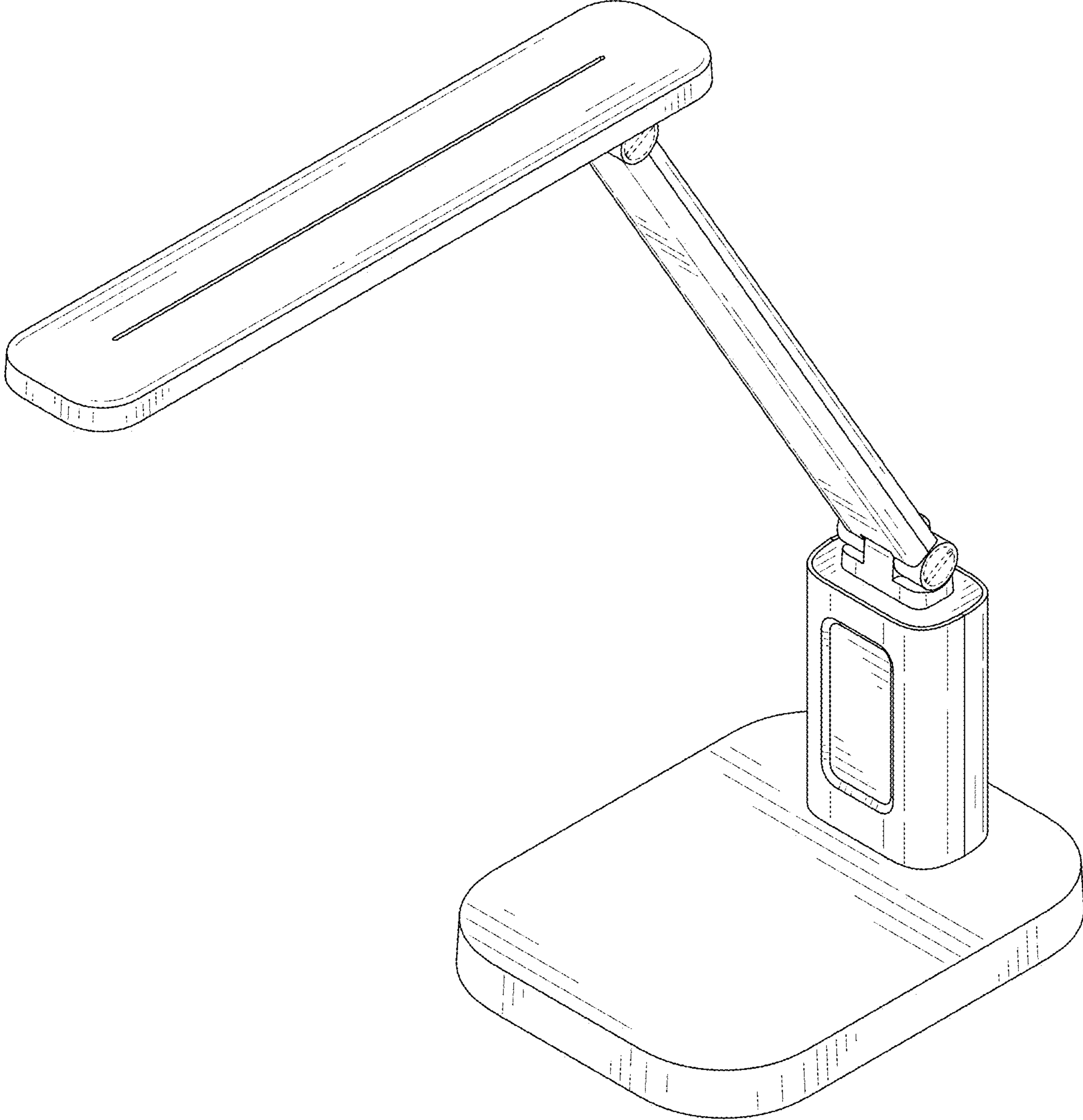


FIG. 1

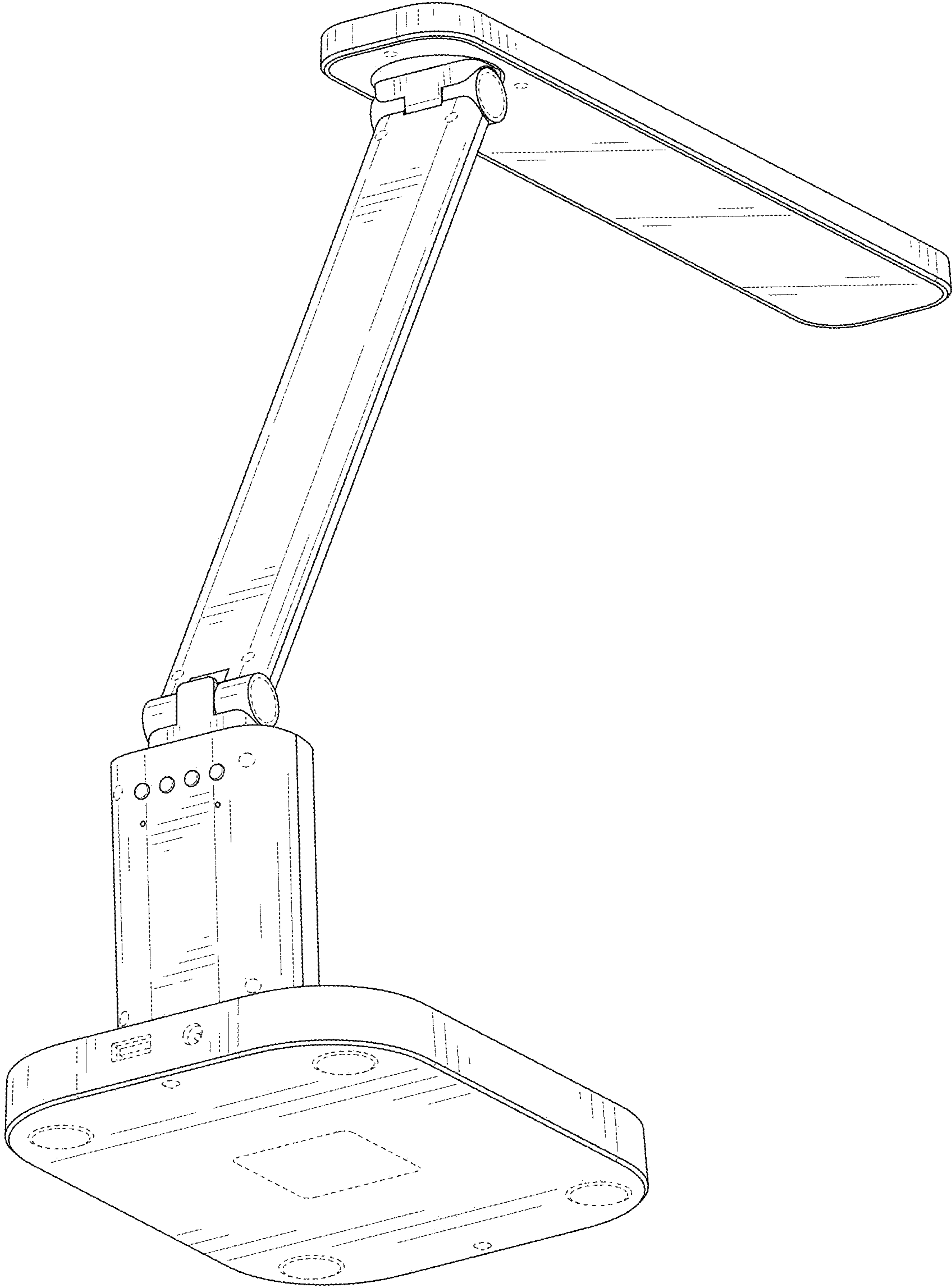


FIG. 2

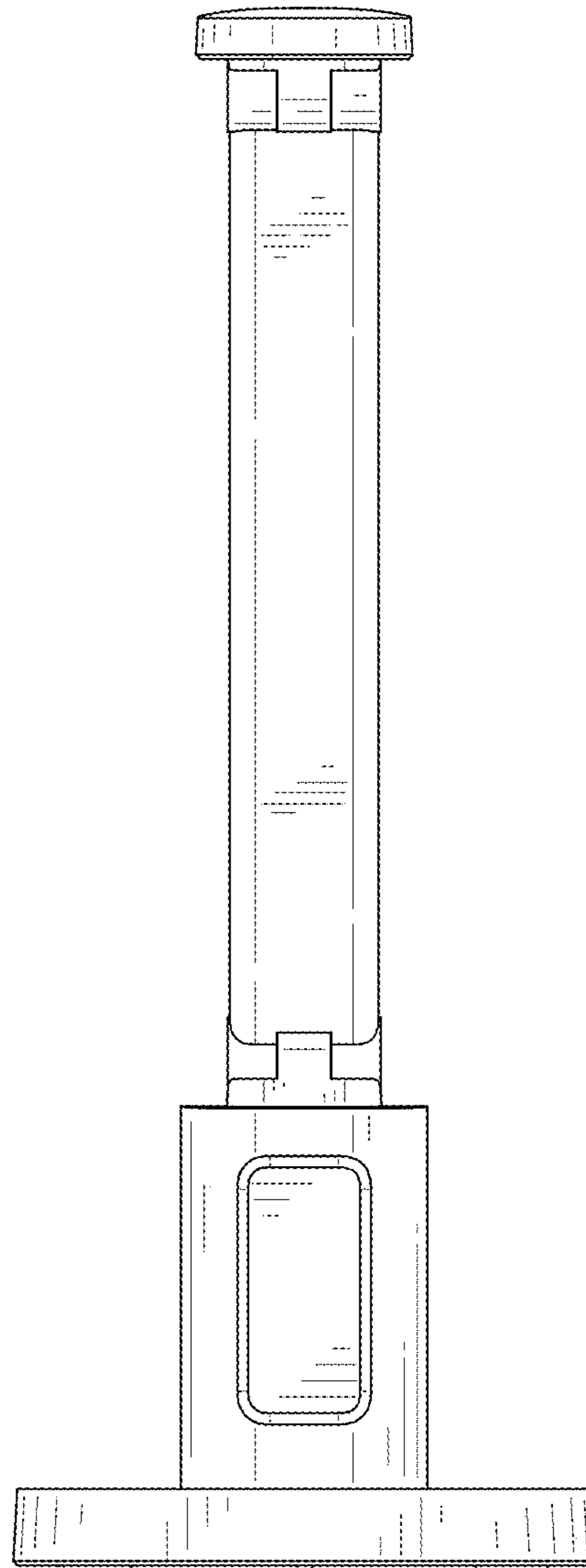


FIG. 3

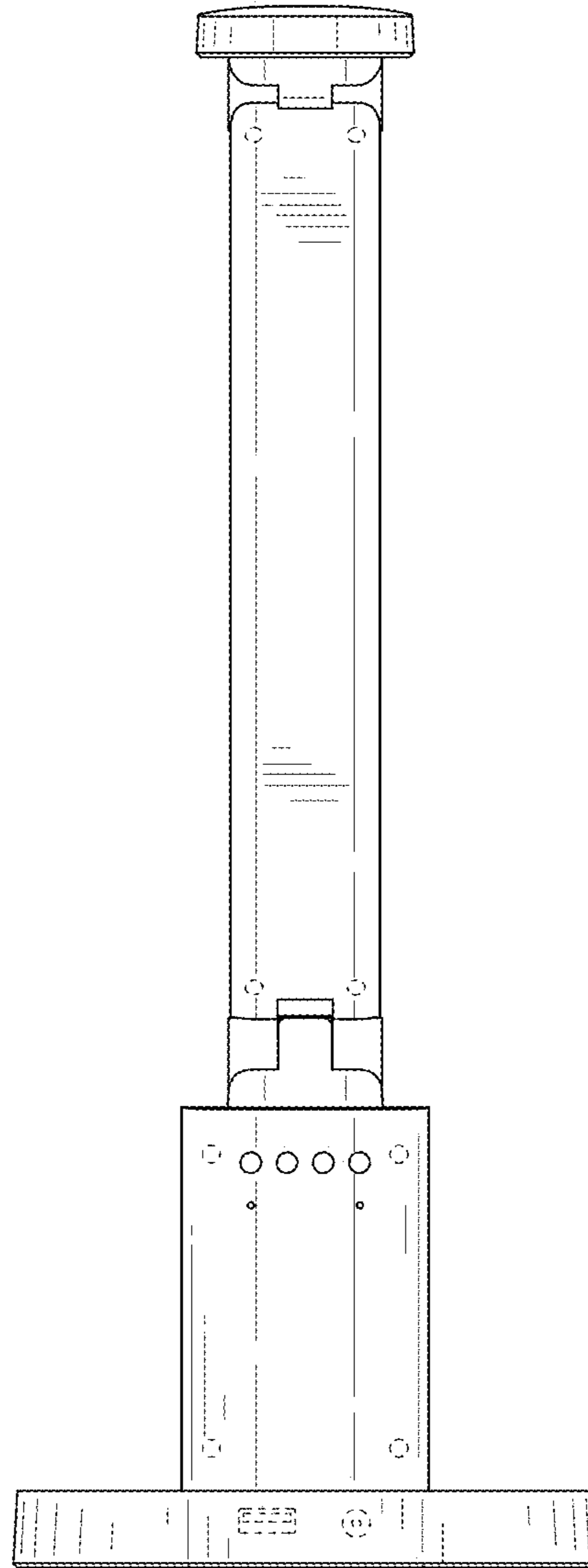


FIG. 4

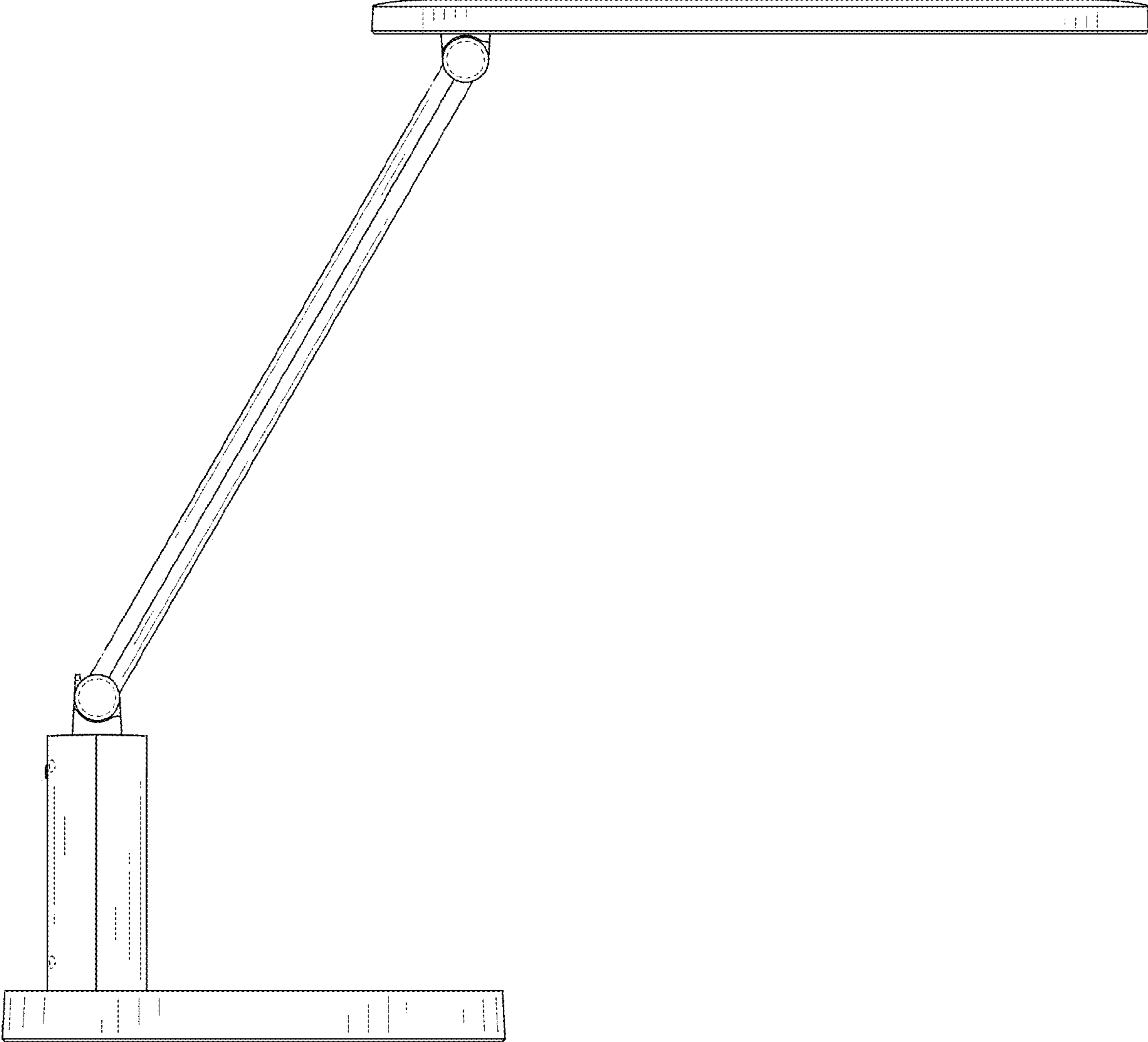


FIG. 5

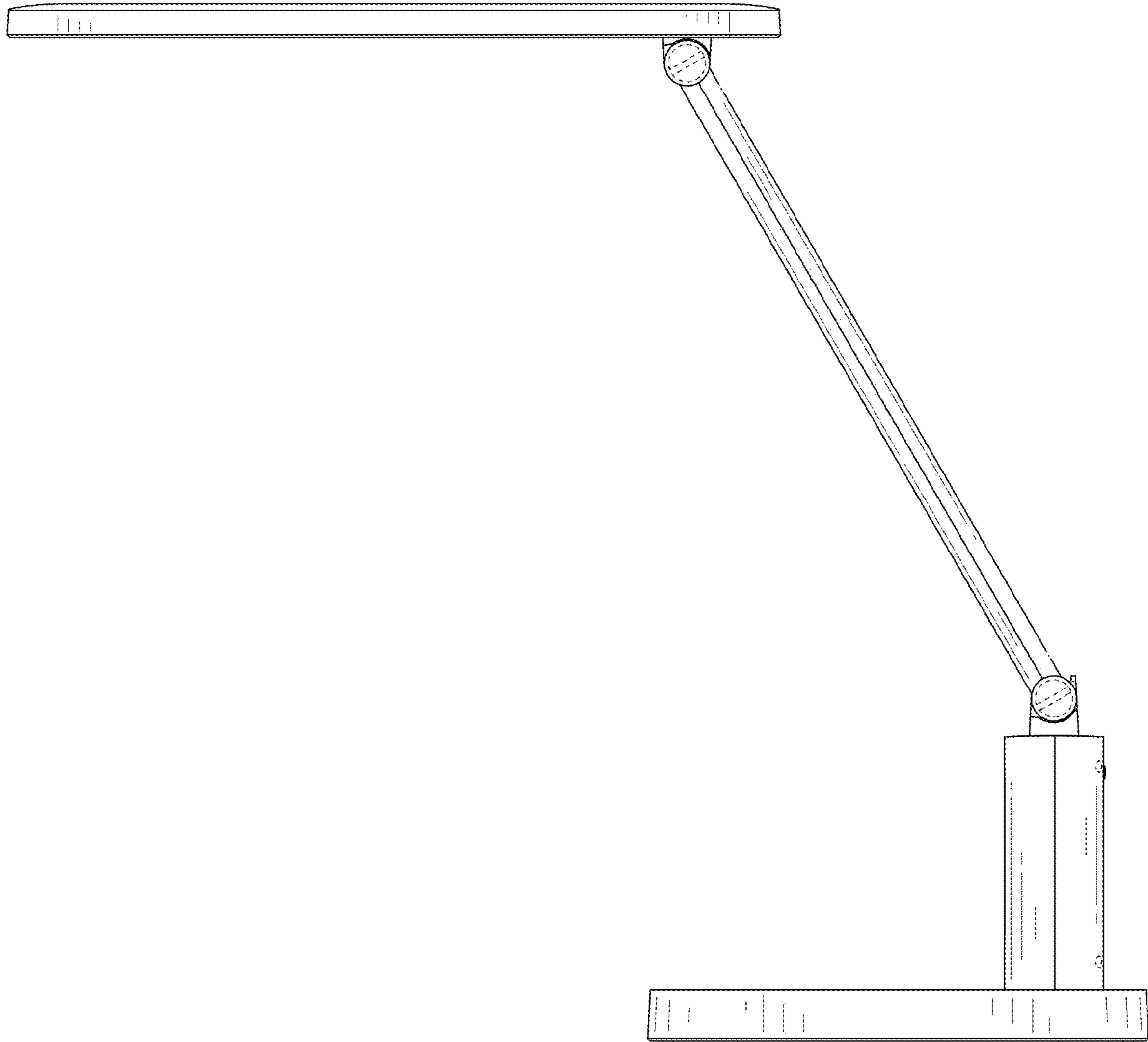


FIG. 6

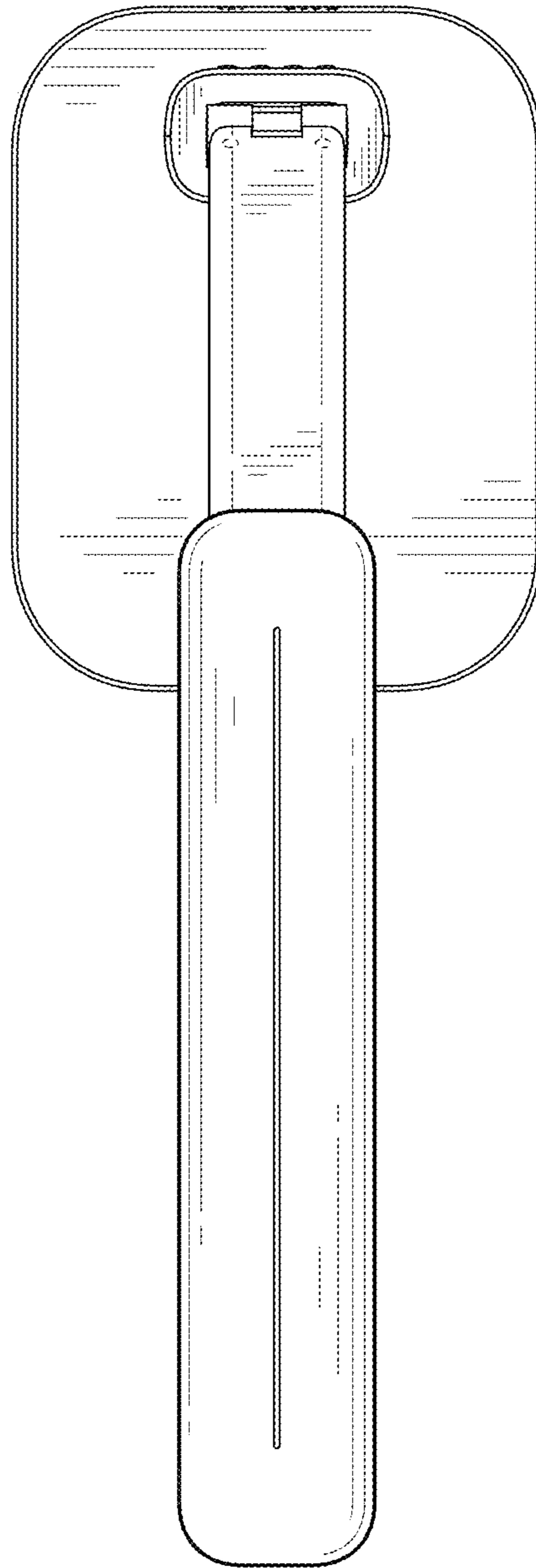


FIG. 7



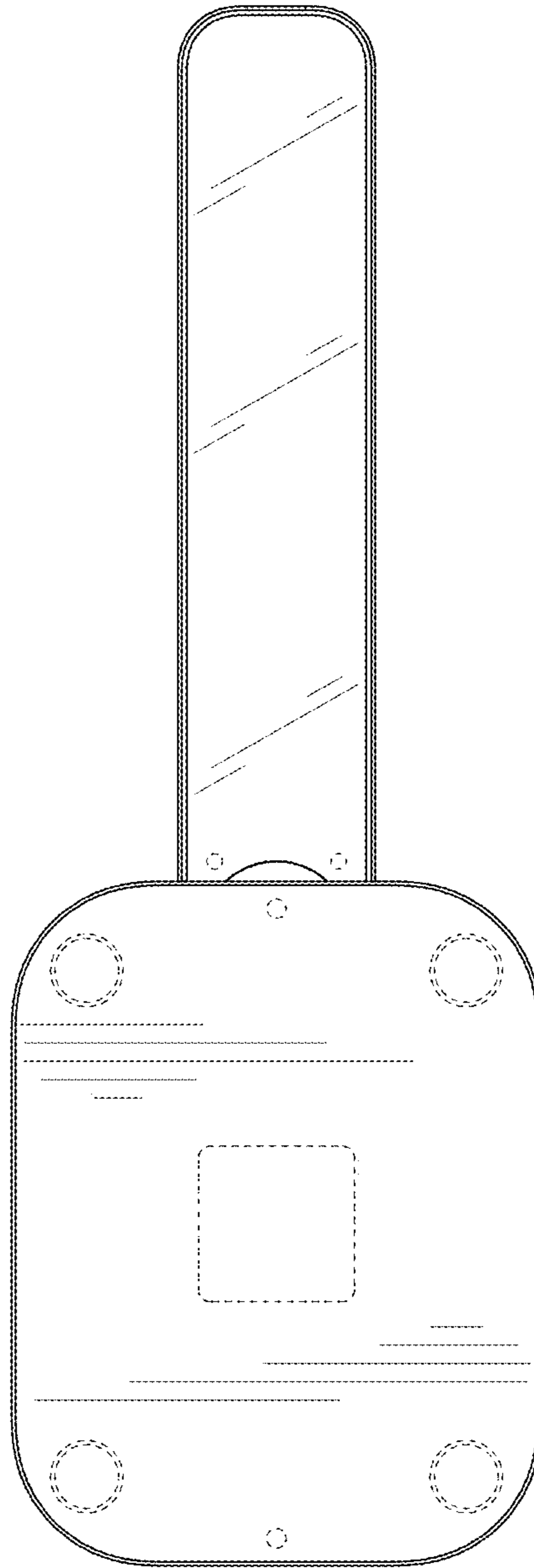


FIG. 8