



US00D948102S

(12) **United States Design Patent** (10) **Patent No.:** **US D948,102 S**
Wang (45) **Date of Patent:** **** Apr. 5, 2022**

(54) **LAMP**

FOREIGN PATENT DOCUMENTS

(71) Applicant: **Pengjun Wang**, Shenzhen (CN)

CA 158933 * 5/2015

(72) Inventor: **Pengjun Wang**, Shenzhen (CN)

OTHER PUBLICATIONS

(73) Assignee: **HUIZHOU VICTORY TECHNOLOGY LTD.**, Huizhou (CN)

Amazon, "Marrakech Turkish Mosaic Glass Decorative Table Lamp", first available Dec. 26, 2019. (<https://www.amazon.com/Turkish-Moroccan-Marrakech-Handmade-Bedside/dp/B0836D353T/>) (Year: 2019).*

(**) Term: **15 Years**

Amazon, "Melrose 76870 Plastic LED Tree Lantern Snow Globe", first available Sep. 16, 2020. (<https://www.amazon.ca/Melrose-76870-Plastic-Lantern-Multicolor/dp/B086DWHZGM?th=1>) (Year: 2020).*

(21) Appl. No.: **29/718,228**

Amazon, "Snow Globes Christmas with Music Box", first available Sep. 3, 2021. (<https://www.amazon.com/dp/B09FFDHZ4B/>) (Year: 2021).*

(22) Filed: **Dec. 22, 2019**

(51) **LOC (13) Cl.** **11-05**

Amazon, "Victory Creative Ballerina Lighted Water Globe", first available May 21, 2021. (<https://www.amazon.ca/dp/B08X4GXZ1L>) (Year: 2021).*

(52) **U.S. Cl.**

USPC **D26/104**

(58) **Field of Classification Search**

USPC D26/1, 2, 24, 37, 40, 93, 104

CPC F21L 2/00; F21L 4/00; F21L 4/02; F21L

4/025; F21L 4/027; F21L 14/00; F21S

2/00; F21S 8/03; F21S 8/033

See application file for complete search history.

* cited by examiner

Primary Examiner — Lauren D McVey

Assistant Examiner — Justin A Johnson

(56) **References Cited**

(57) **CLAIM**

The ornamental design for a lamp, as shown and described.

U.S. PATENT DOCUMENTS

DESCRIPTION

D100,031 S * 6/1936 Laxer D26/94

D429,021 S * 8/2000 Israel D26/106

D429,840 S * 8/2000 Hsieh D26/106

7,430,823 B1 * 10/2008 Chung G09F 19/02

7,905,426 B1 * 3/2011 Greiner A61L 9/122

D677,416 S * 3/2013 Chen D26/67

D752,802 S * 3/2016 Johnson D26/94

D757,988 S * 5/2016 Chang D26/104

D887,069 S * 6/2020 Dou D26/104

D899,652 S * 10/2020 Shen D26/51

D927,043 S * 8/2021 Tian D26/93

D935,683 S * 11/2021 Garrett D26/104

2020/0069906 A1 * 3/2020 Choi A61L 9/12

FIG. 1 is a front, top perspective view of the lamp showing my new design;

FIG. 2 is a rear, bottom perspective view thereof;

FIG. 3 is a front elevational view thereof;

FIG. 4 is a left side elevational view thereof;

FIG. 5 is a right side elevational view thereof;

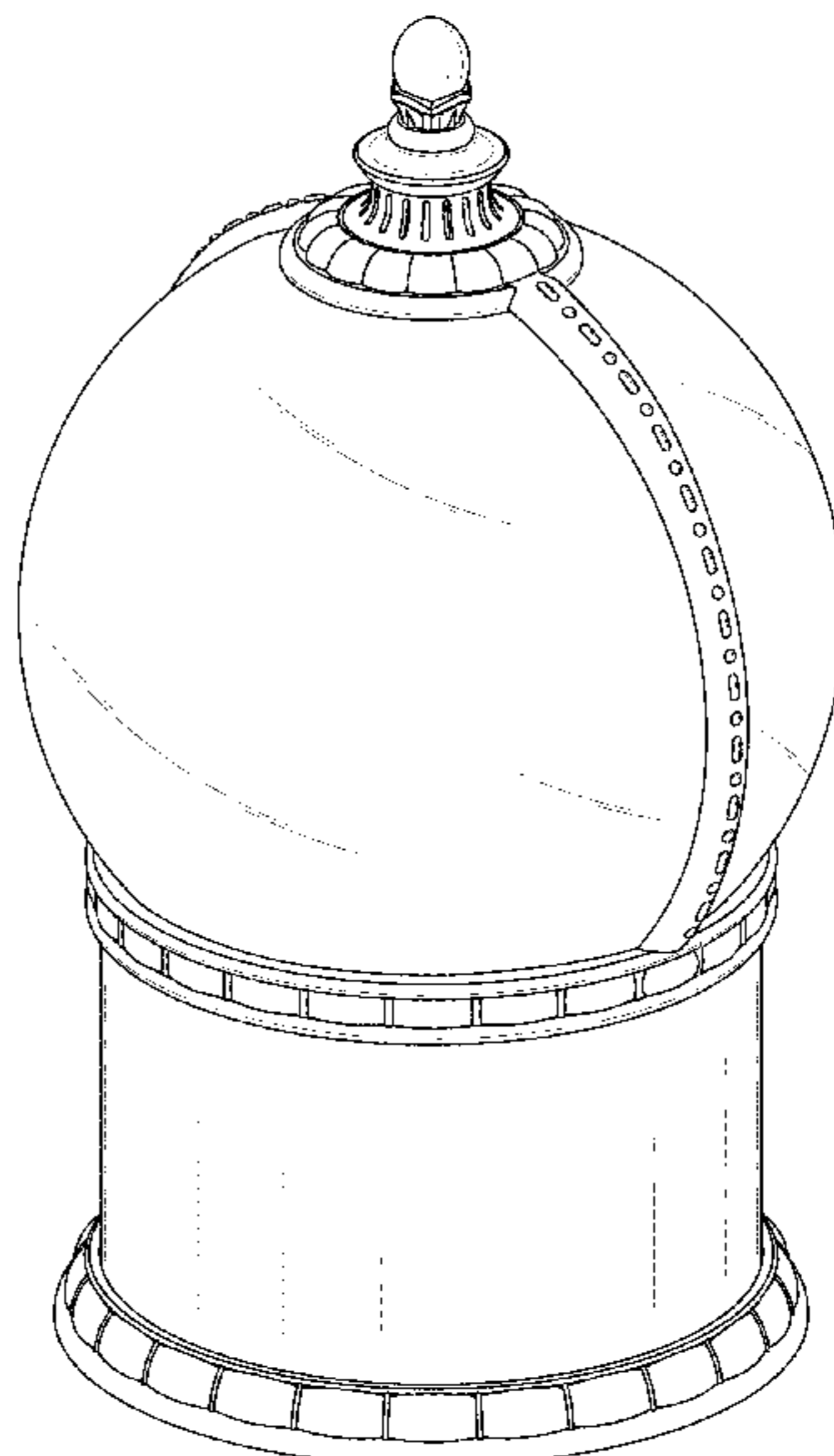
FIG. 6 is a rear elevational view thereof;

FIG. 7 is a top plan view thereof; and,

FIG. 8 is a bottom plan view thereof.

The broken lines in the FIG. 2 and FIG. 8 depict the portions that form no part of the claimed design.

1 Claim, 8 Drawing Sheets



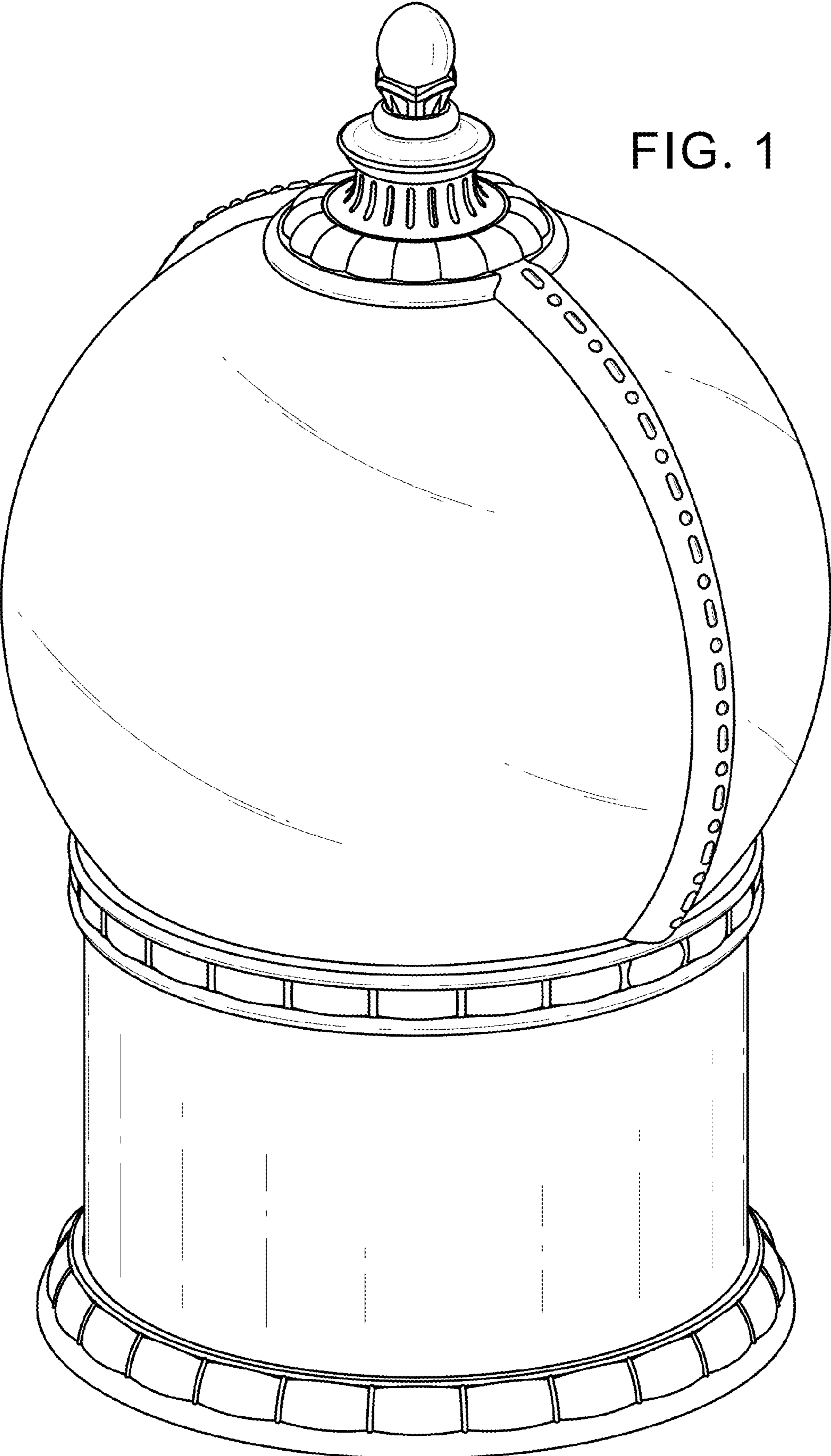
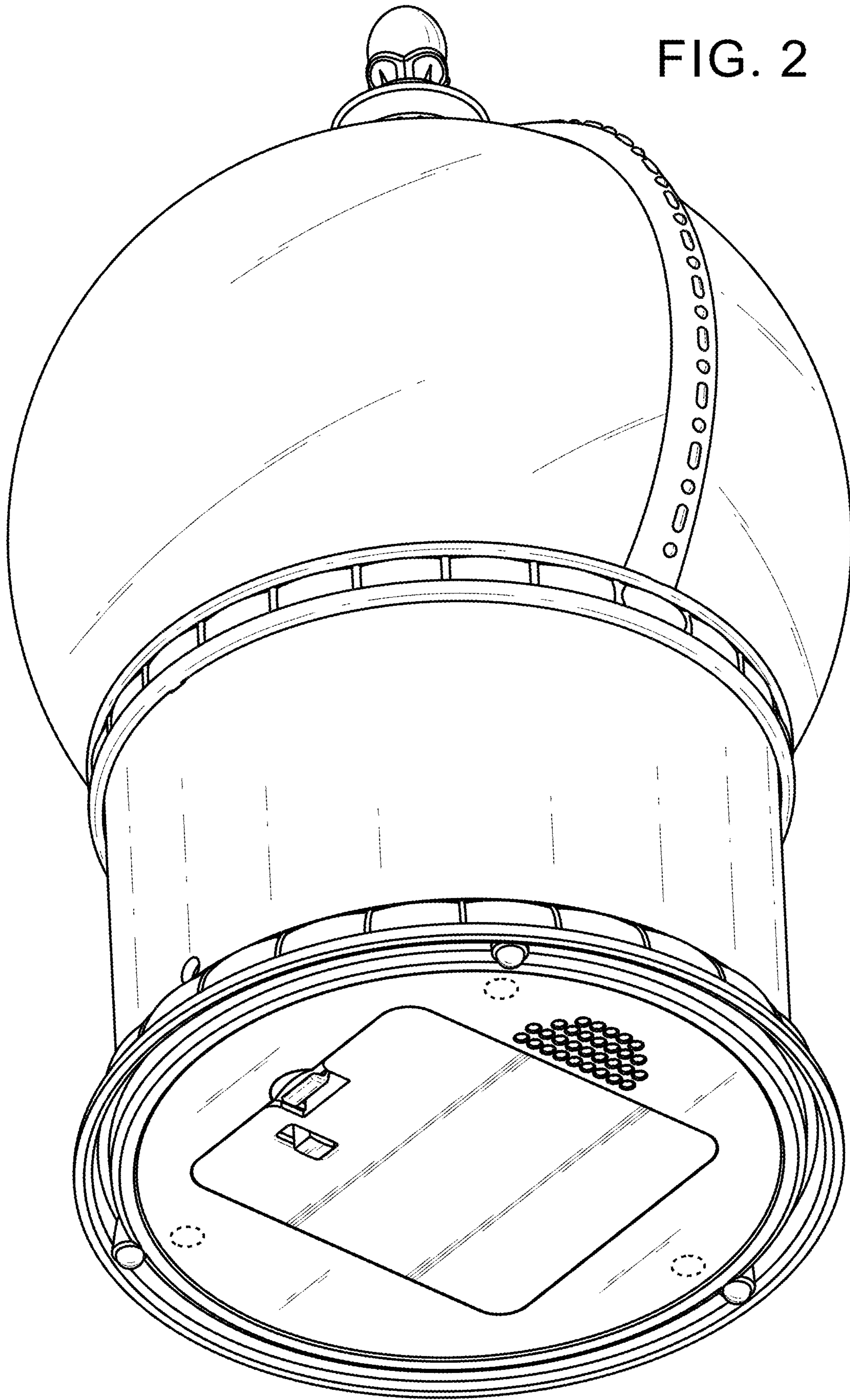


FIG. 1

FIG. 2



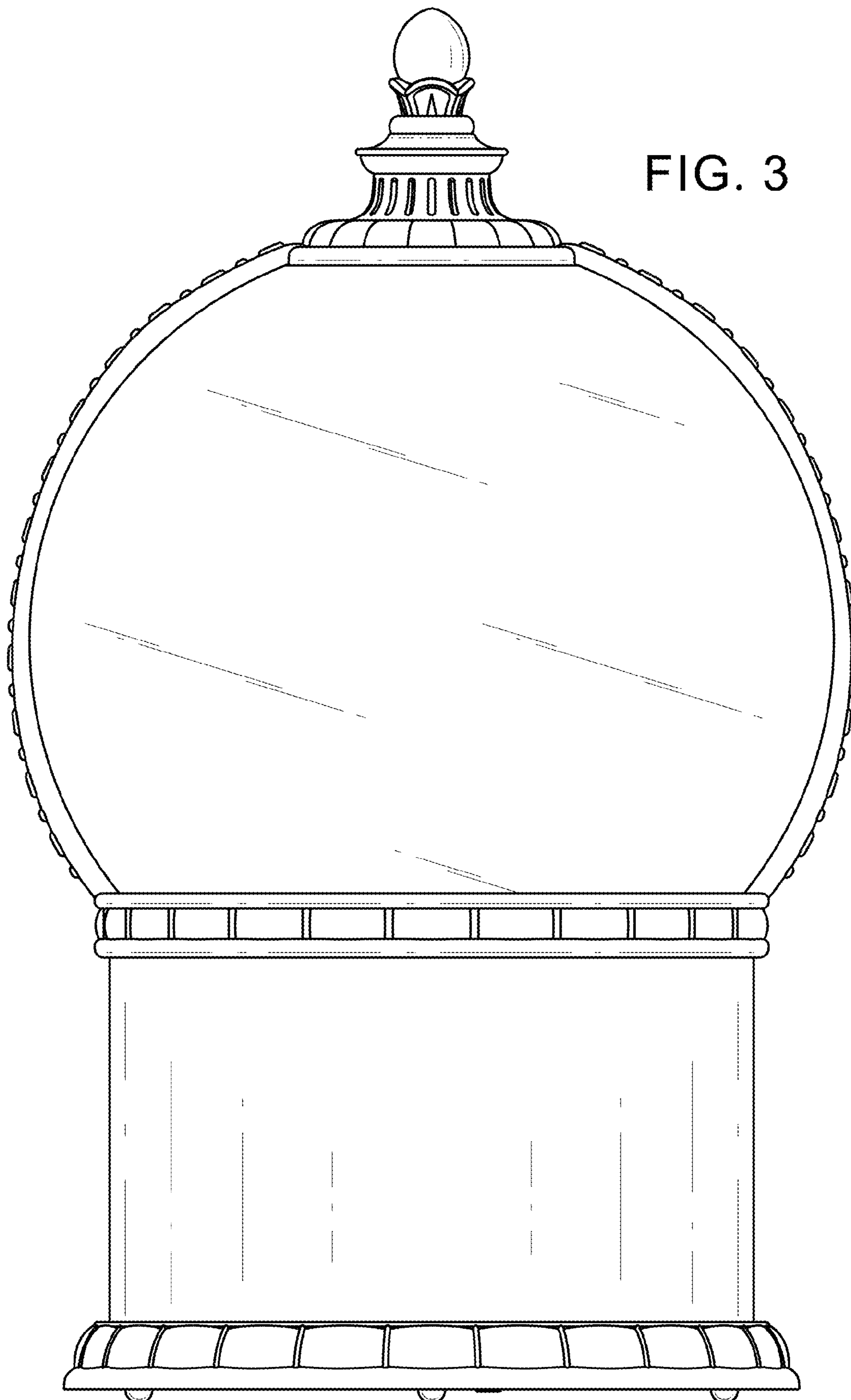


FIG. 3

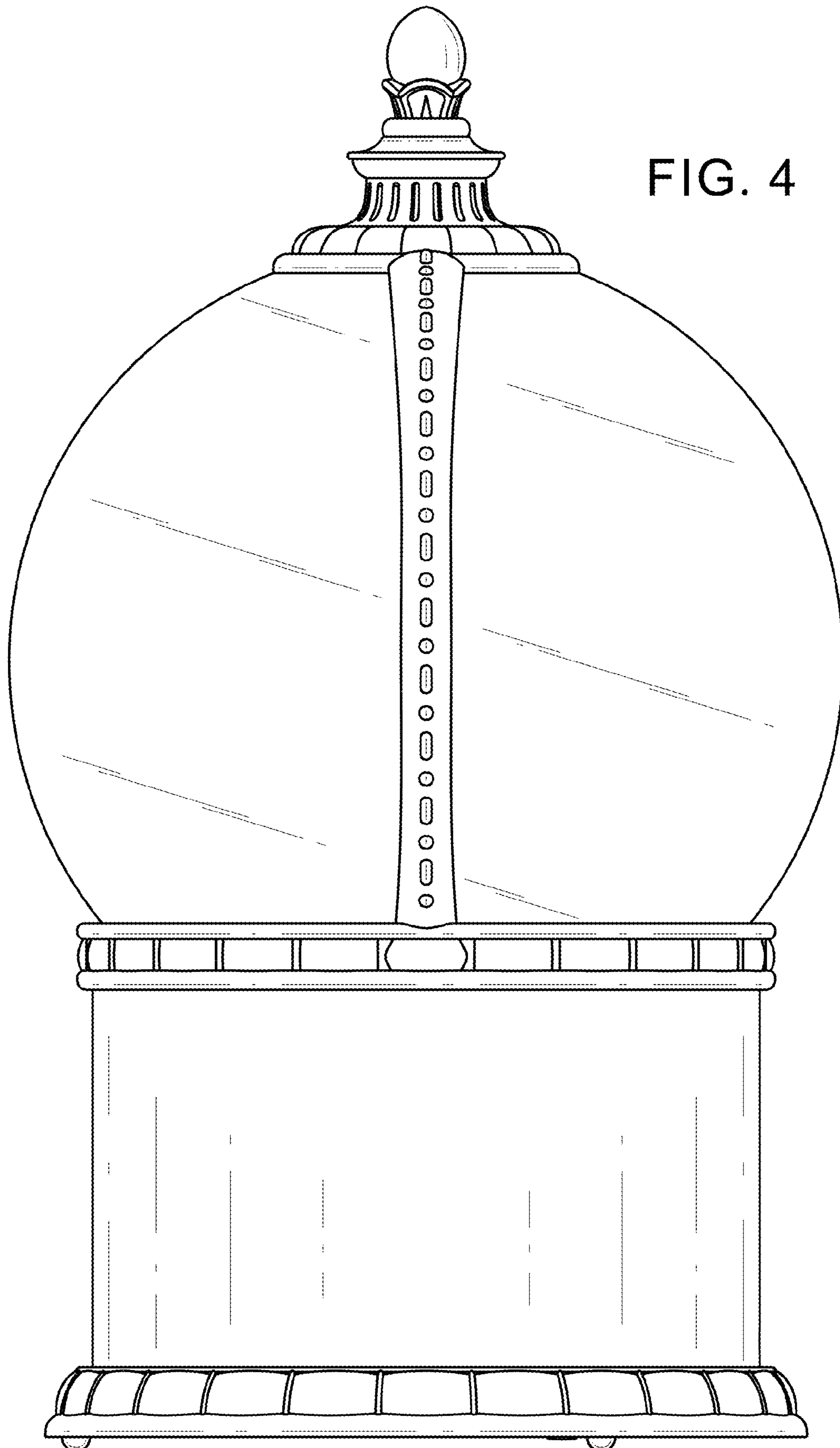


FIG. 4

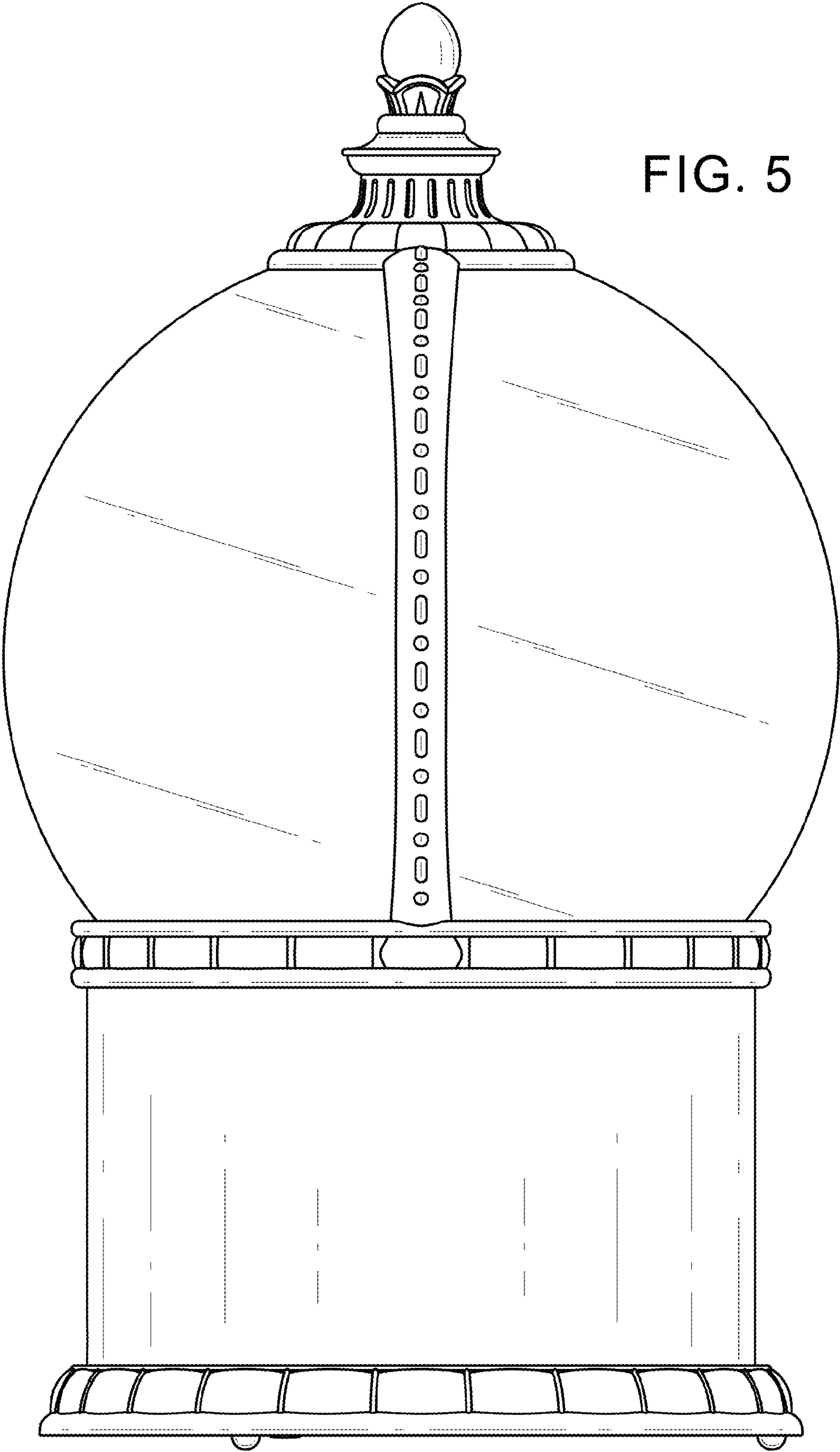
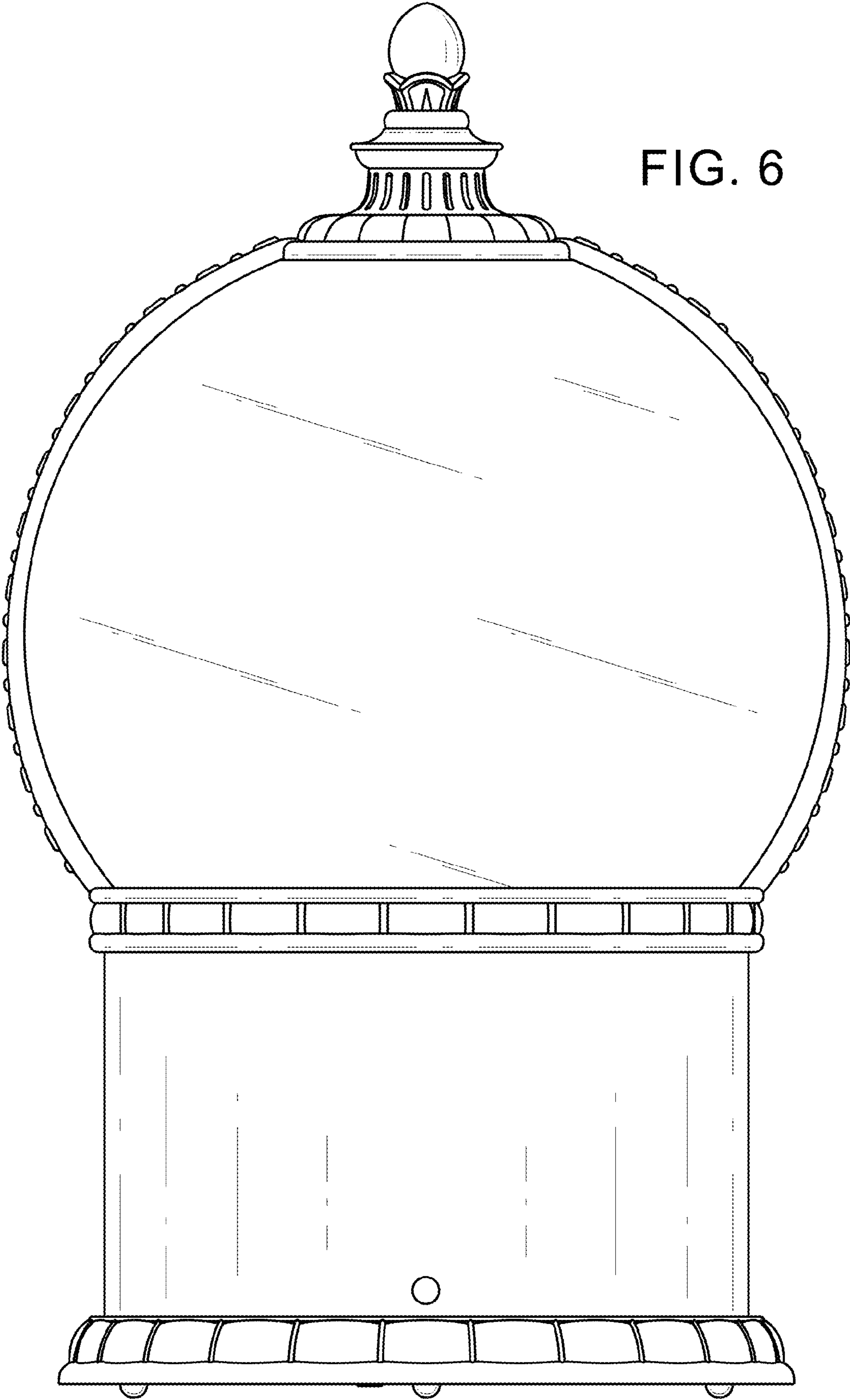


FIG. 5



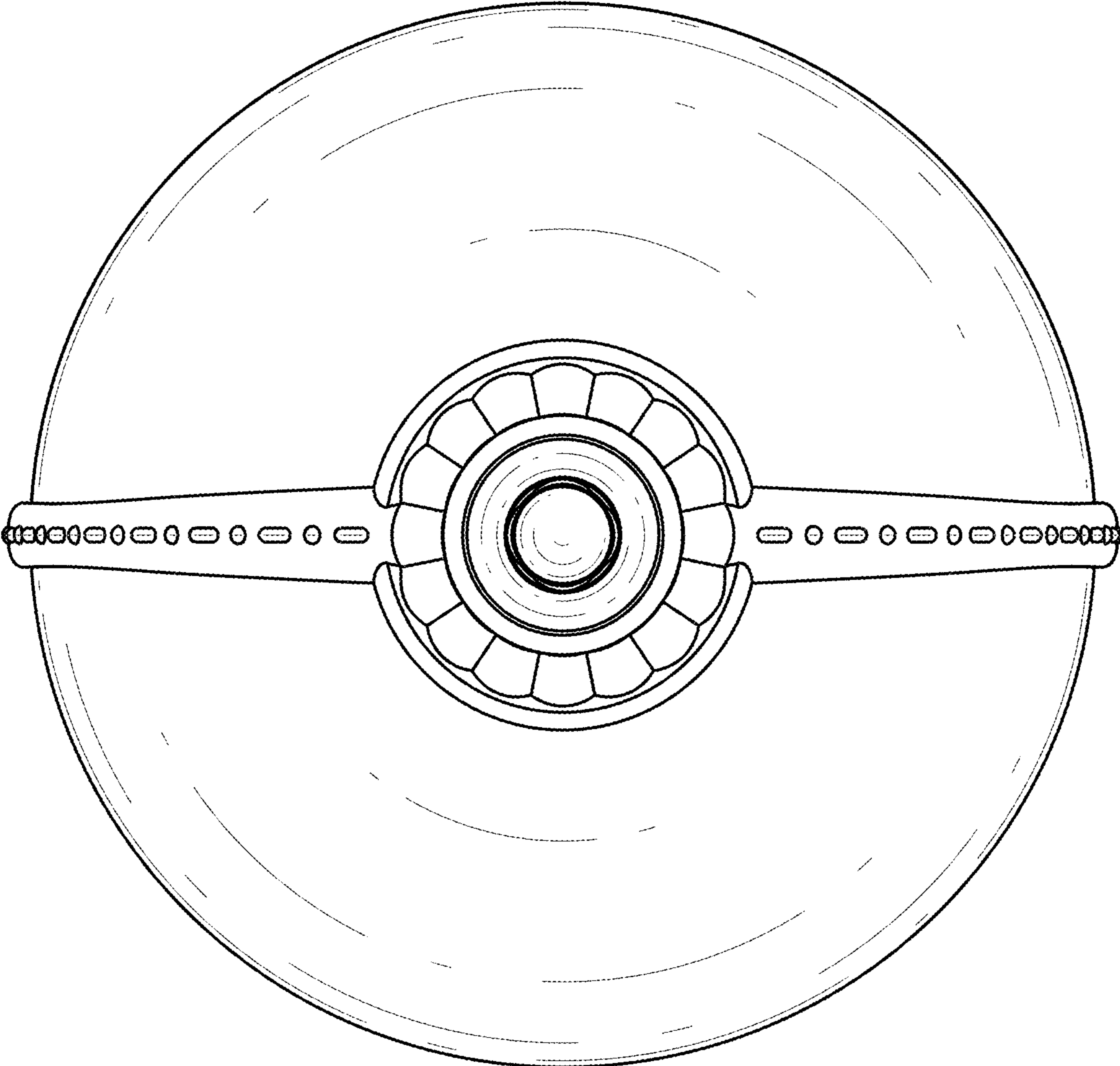


FIG. 7

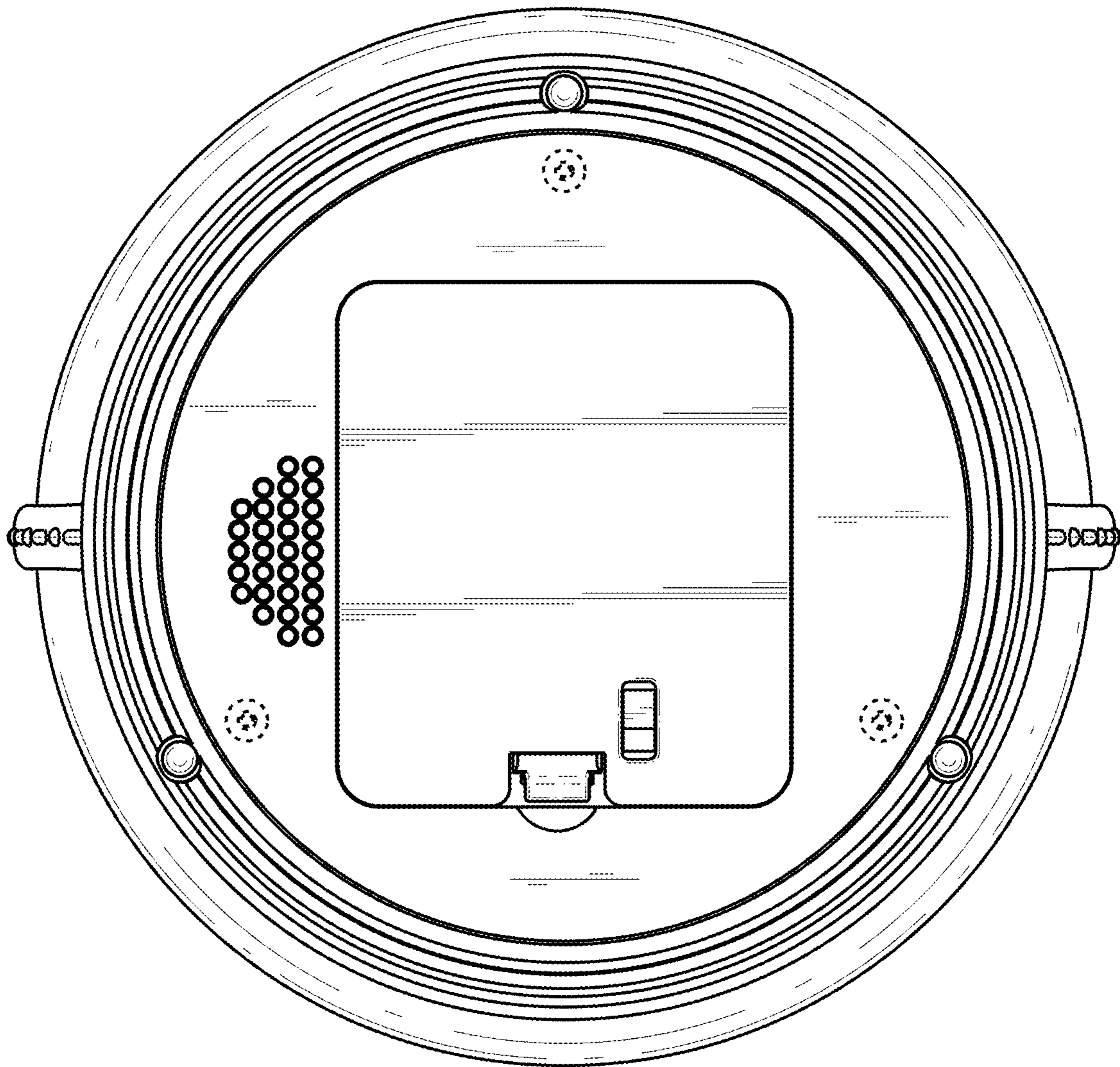


FIG. 8