



US00D948101S

(12) **United States Design Patent**
Shen

(10) **Patent No.:** **US D948,101 S**

(45) **Date of Patent:** **** Apr. 5, 2022**

(54) **SENSOR LIGHT**

(71) Applicant: **Xiaolong Shen**, Suizhou (CN)

(72) Inventor: **Xiaolong Shen**, Suizhou (CN)

(**) Term: **15 Years**

(21) Appl. No.: **29/773,873**

(22) Filed: **Mar. 12, 2021**

(51) **LOC (13) Cl.** **26-03**

(52) **U.S. Cl.**
USPC **D26/89**

(58) **Field of Classification Search**
USPC D26/24, 72, 80, 84, 85, 89, 118;
D10/106.6, 106.8
See application file for complete search history.

(56) **References Cited**

U.S. PATENT DOCUMENTS

D374,189 S *	10/1996	Hubben	D10/106.6
D840,582 S *	2/2019	Liu	D26/104
D866,815 S	11/2019	Wang		
D866,816 S	11/2019	Wang		
D867,626 S *	11/2019	Song	D26/24
D887,621 S *	6/2020	Wu	D26/89
D891,675 S *	7/2020	Liu	D26/85
D903,927 S *	12/2020	Johnson	D26/89
D904,667 S *	12/2020	Johnson	D26/89
D936,505 S *	11/2021	Umair	D10/70
2009/0097238 A1 *	4/2009	Cousaine	F21S 9/02 362/191
2011/0128723 A1 *	6/2011	Coleman	F21V 21/096 362/183

OTHER PUBLICATIONS

LUXSWAY Battery Powered Push Lights, ASIN: B07K9NM9FF. Available from amazon.com Dec. 10, 2018. (Year: 2018).*
ICEKO-KN Under Cabinet Lights, ASIN: B08SL77DHX. Available from amazon.com Jan. 10, 2021. (Year: 2021).*
WOBISON Motion Sensor, USB Rechargeable Puck Light, ASIN: B08FBHBNYF. Available from amazon.com Aug. 5, 2020. (Year: 2020).*

* cited by examiner

Primary Examiner — Clare E Heflin

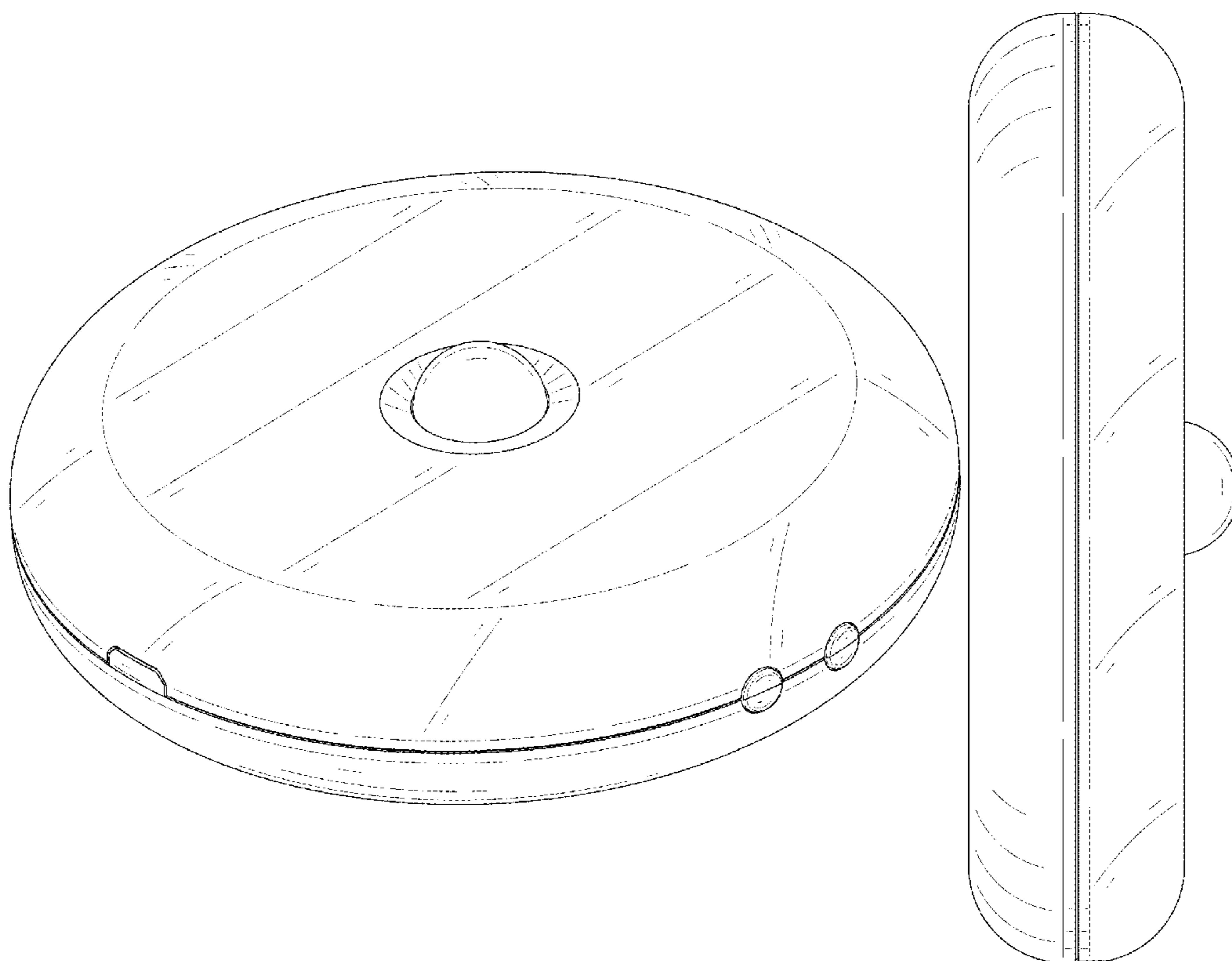
(57) **CLAIM**

The ornamental design for a sensor light, as shown and described.

DESCRIPTION

FIG. 1 is a perspective view of a sensor light showing my new design;
FIG. 2 is another perspective view thereof;
FIG. 3 is a front elevational view thereof;
FIG. 4 is a rear elevational view thereof;
FIG. 5 is a left side elevational view thereof;
FIG. 6 is a right side elevational view thereof;
FIG. 7 is a top plan view thereof; and,
FIG. 8 is a bottom plan view thereof.
The broken lines in the drawings depict portions of the sensor light that form no part of the claimed design.

1 Claim, 8 Drawing Sheets



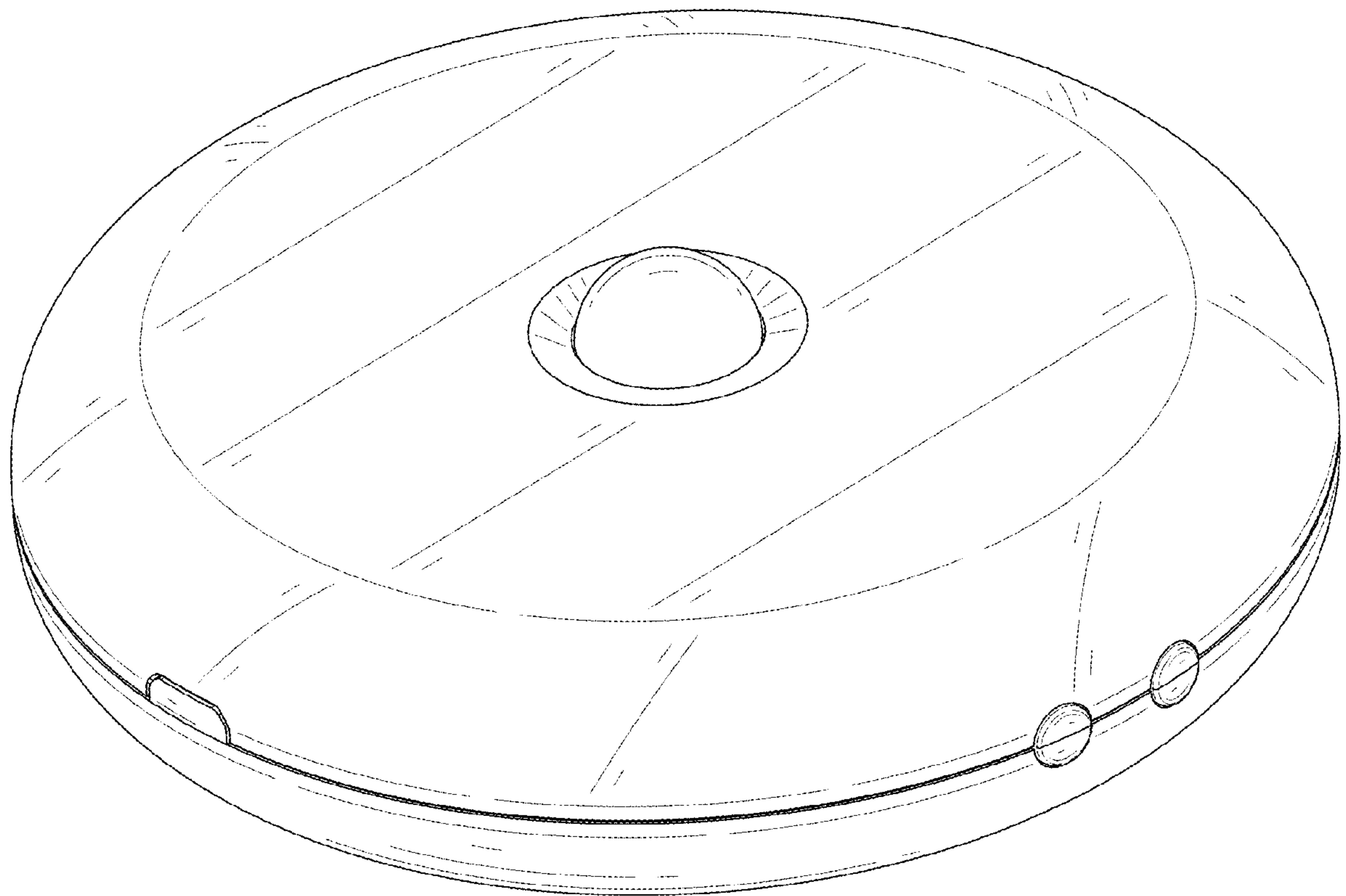


FIG. 1

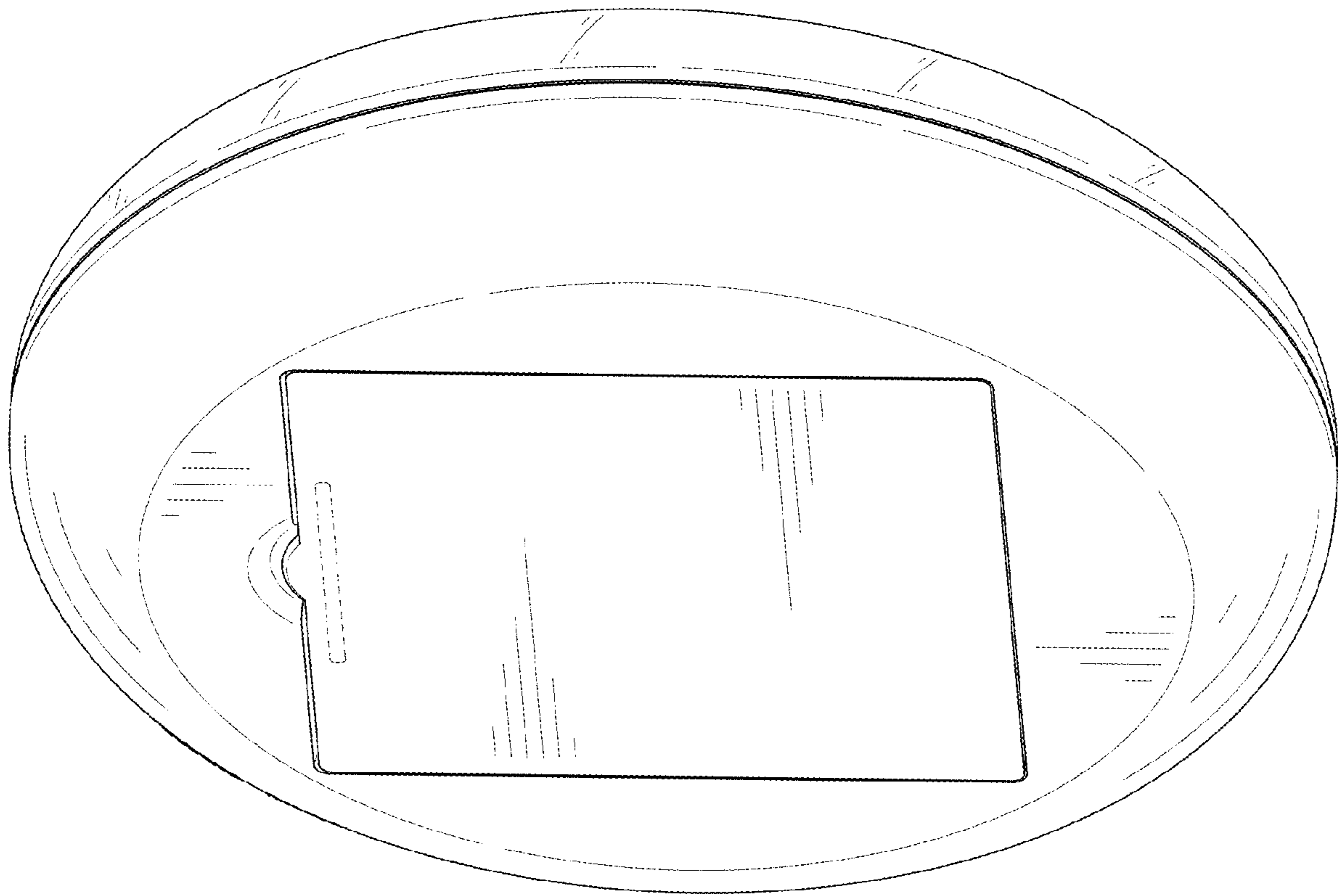


FIG. 2

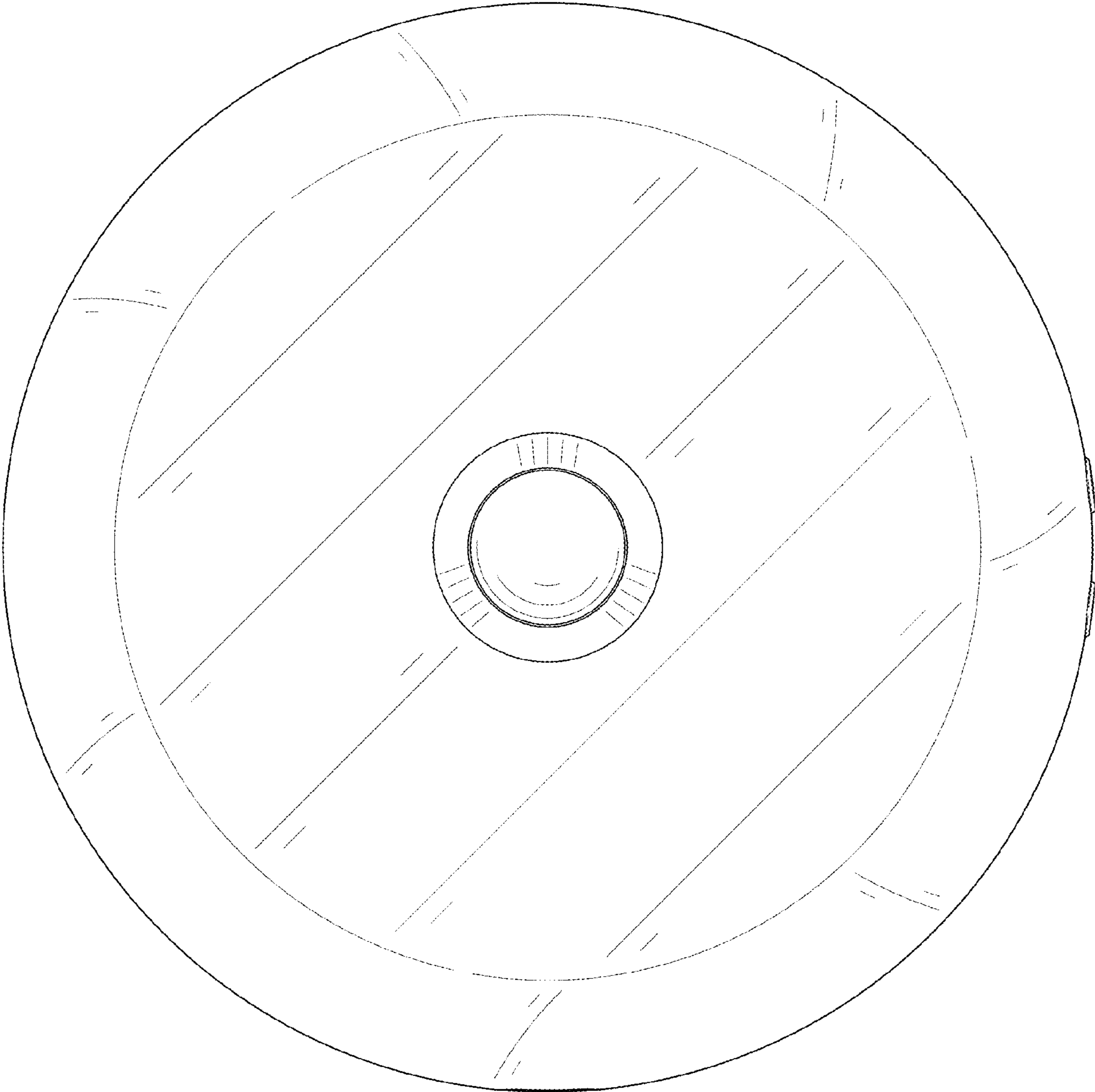


FIG. 3

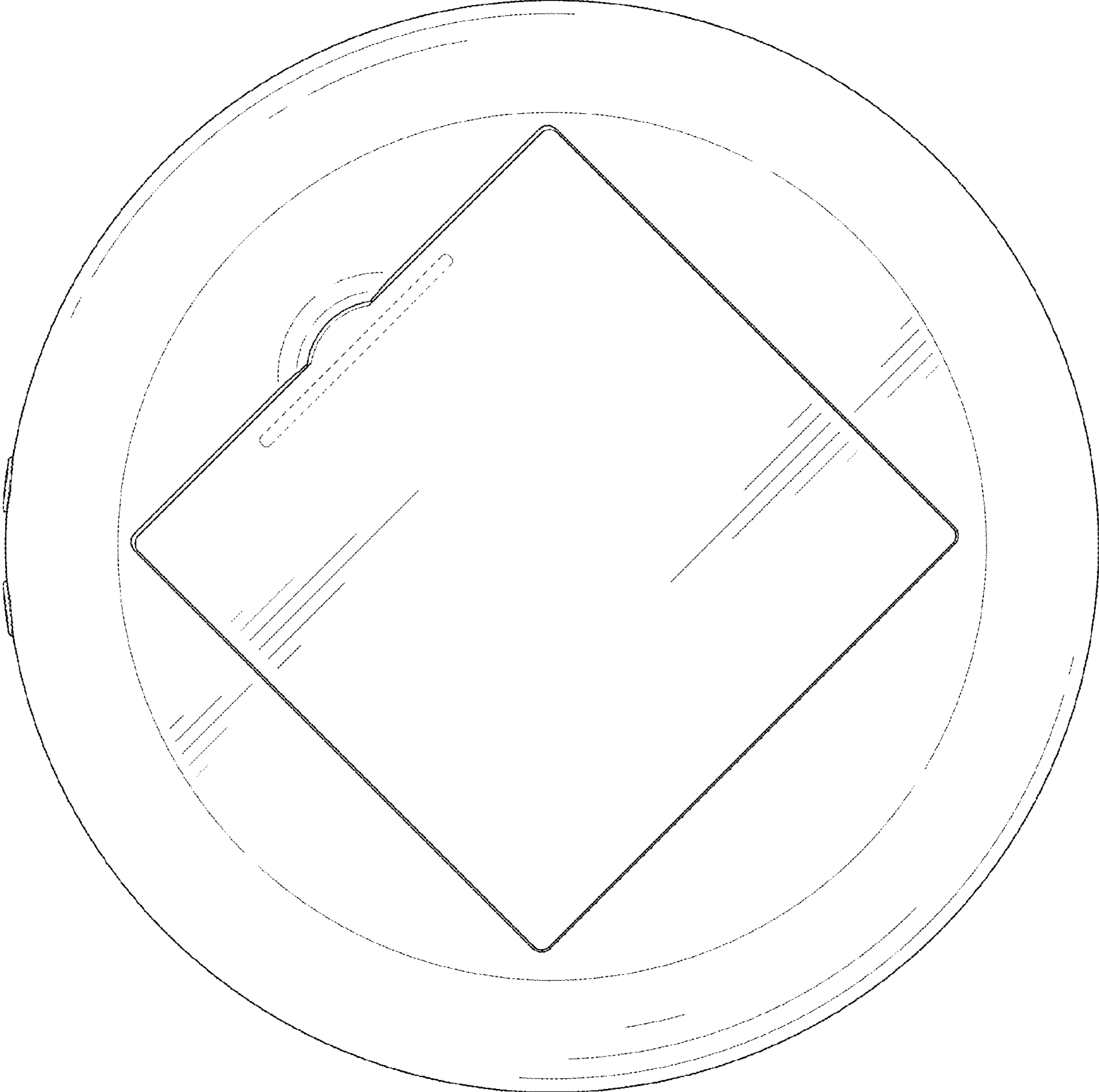


FIG. 4

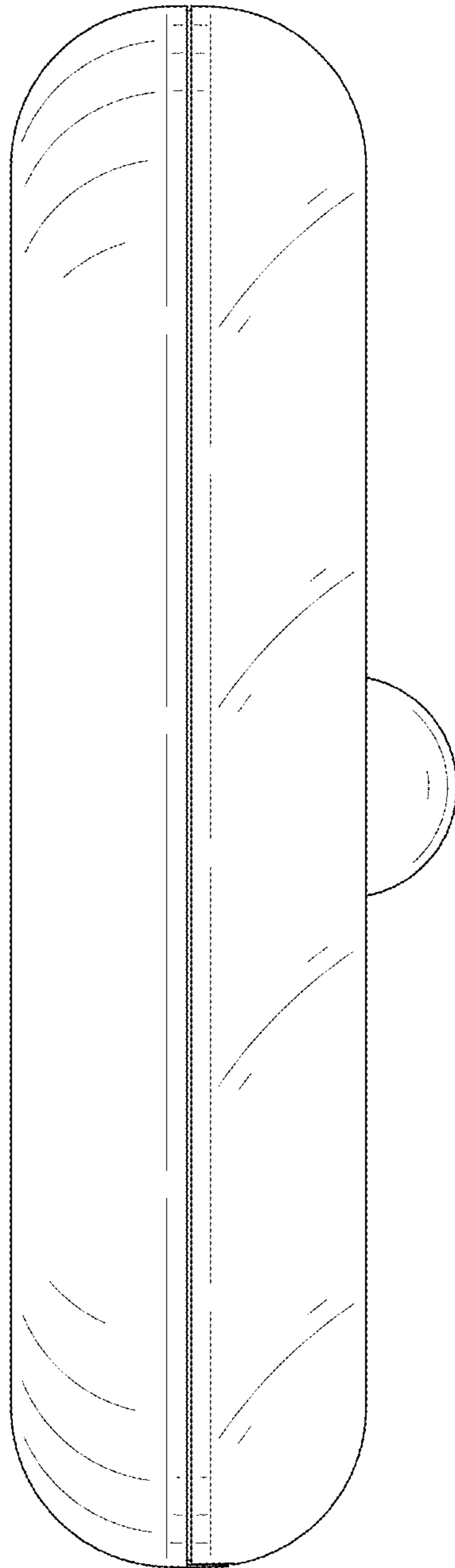


FIG. 5

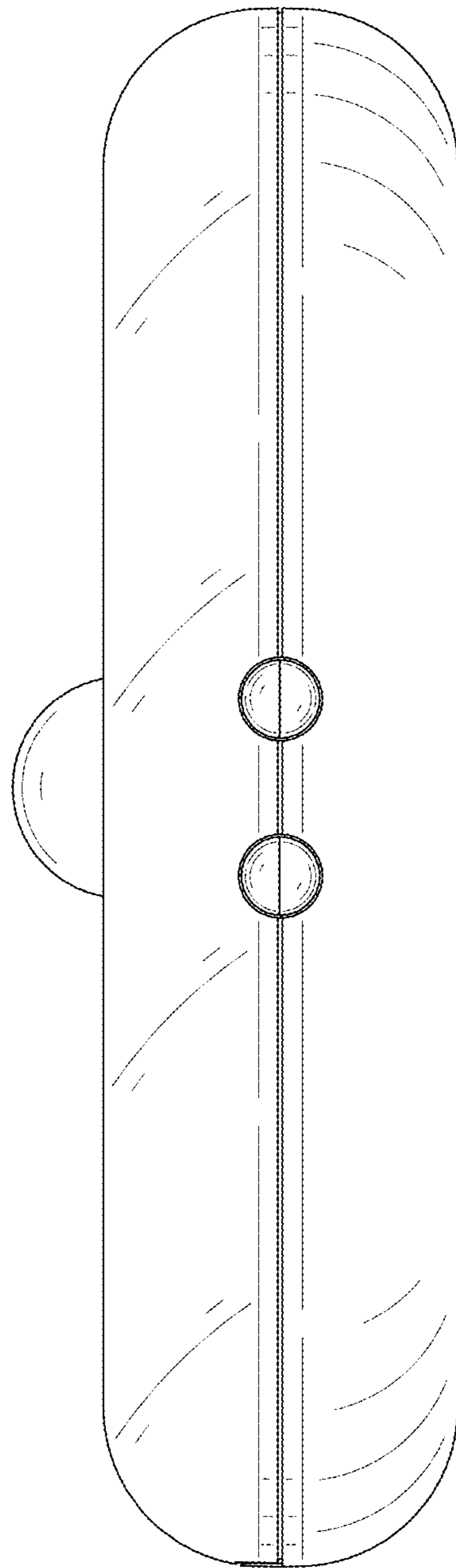


FIG. 6

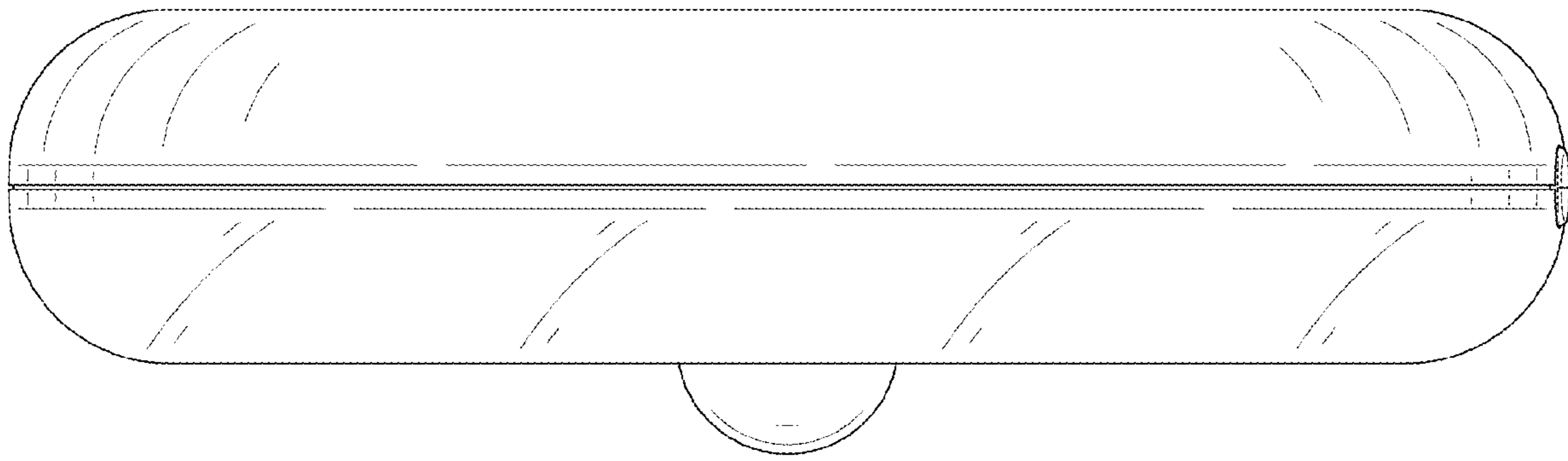


FIG. 7

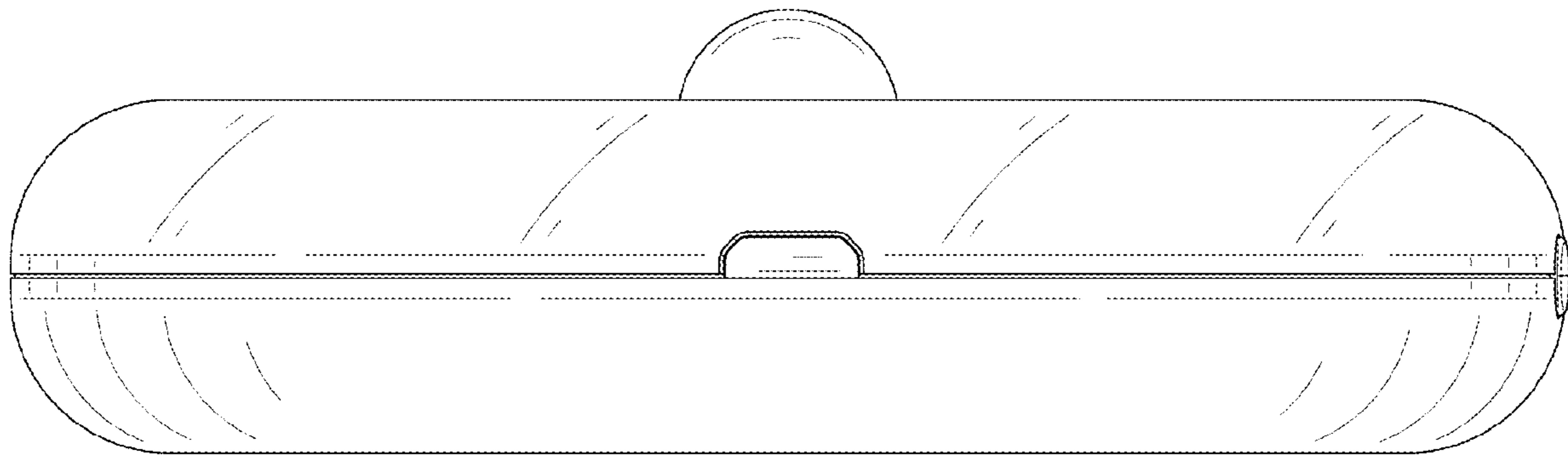


FIG. 8