



US00D948100S

(12) **United States Design Patent** (10) **Patent No.:** **US D948,100 S**
Coombes et al. (45) **Date of Patent:** **** Apr. 5, 2022**

- (54) **LAMP**
- (71) Applicant: **GIOPATO & COOMBES S.R.L.**,
Treviso (IT)
- (72) Inventors: **Christopher Coombes**, Treviso (IT);
Cristiana Giopato, Treviso (IT)
- (73) Assignee: **GIOPATO & COOMBES S.R.L.**,
Treviso (IT)
- (**) Term: **15 Years**
- (21) Appl. No.: **29/810,295**
- (22) Filed: **Oct. 4, 2021**

| | | | |
|-------------------|---------|------------------|------------|
| D812,800 S * | 3/2018 | Martin | D26/81 |
| D828,607 S * | 9/2018 | Sonneman | D26/81 |
| D828,945 S * | 9/2018 | Crocker | D26/81 |
| D841,863 S * | 2/2019 | Lee | D26/84 |
| D859,722 S * | 9/2019 | Sonneman | D26/84 |
| D860,508 S | 9/2019 | Coombes et al. | |
| D862,767 S * | 10/2019 | Pomputius | D26/81 |
| D862,771 S | 10/2019 | Coombes et al. | |
| D865,263 S * | 10/2019 | Amato | D26/81 |
| D868,342 S | 11/2019 | Coombes et al. | |
| D870,351 S | 12/2019 | Sonneman | |
| D870,953 S | 12/2019 | Coombes et al. | |
| D920,559 S * | 5/2021 | Hendifar | D26/84 |
| 2012/0120654 A1 | 5/2012 | Kobayashi et al. | |
| 2016/0238229 A1 | 8/2016 | Smitt et al. | |
| 2017/0198895 A1 * | 7/2017 | Sonneman | F21S 8/065 |

(Continued)

Related U.S. Application Data

- (62) Division of application No. 29/683,415, filed on Mar. 13, 2019.

Foreign Application Priority Data

Jan. 2, 2019 (IT) 402019000000004

- (51) **LOC (13) Cl.** **26-03**

- (52) **U.S. Cl.**
USPC **D26/81; D26/84; D26/86; D26/90**

- (58) **Field of Classification Search**
USPC D26/72, 80, 81, 84, 86, 88, 89, 90, 91
CPC F21S 8/03; F21S 8/04; F21S 8/043; F21S
8/046; F21S 8/06; F21S 8/061; F21S
8/063; F21S 8/065
See application file for complete search history.

(56) **References Cited**

U.S. PATENT DOCUMENTS

| | | | |
|--------------|---------|----------------------|--------|
| D759,284 S | 6/2016 | De Bevilacqua et al. | |
| D759,875 S * | 6/2016 | Giopato | D26/88 |
| D800,369 S | 10/2017 | Sonneman | |
| D810,990 S | 2/2018 | Sempe | |

OTHER PUBLICATIONS

NH S3 Multi-Light Pendant by Neri & Hu from Atreide, available from ylighting.com, visited Dec. 28, 2021. (Year: 2021).*

(Continued)

Primary Examiner — Clare E Heflin

(74) *Attorney, Agent, or Firm* — Cantor Colburn LLP

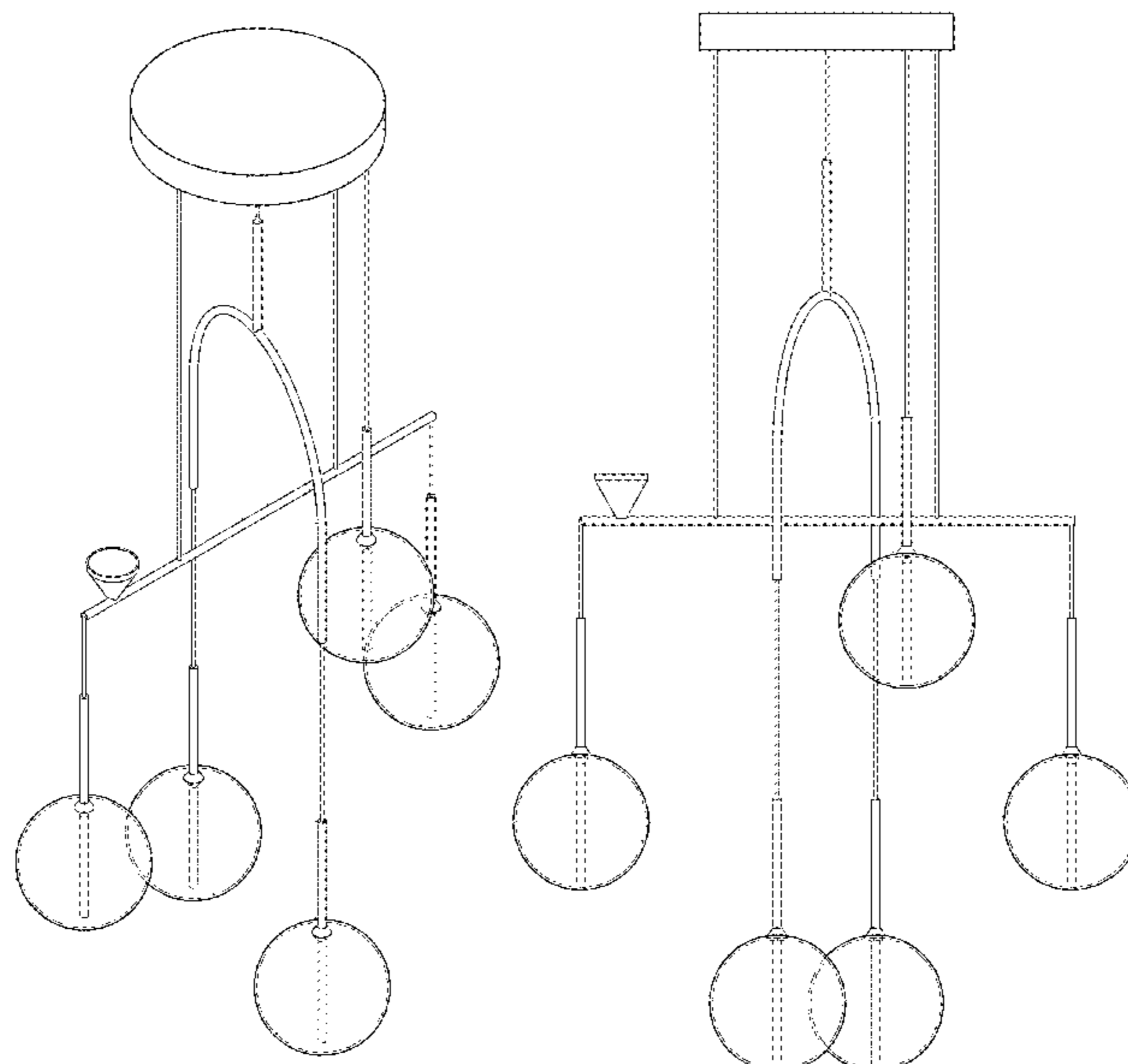
(57) **CLAIM**

We claim, the ornamental design for a lamp, as shown and described.

DESCRIPTION

FIG. 1 is a perspective view of a lamp showing our new design;
 FIG. 2 is a front view thereof;
 FIG. 3 is a rear view thereof;
 FIG. 4 is a left side view thereof;
 FIG. 5 is a right side view thereof;
 FIG. 6 is a top view thereof; and,
 FIG. 7 is a bottom view thereof.

1 Claim, 6 Drawing Sheets



(56)

References Cited

U.S. PATENT DOCUMENTS

2019/0145612 A1 5/2019 Crosby

OTHER PUBLICATIONS

Orion—50776 Island Pendant light by Craftmade, available from craftmade.com, visited Dec. 28, 2021. (Year: 2021).*

Colvin Single Globe Pendant Light available from allmodern.com as early as May 12, 2017. (Year: 2017).*

* cited by examiner

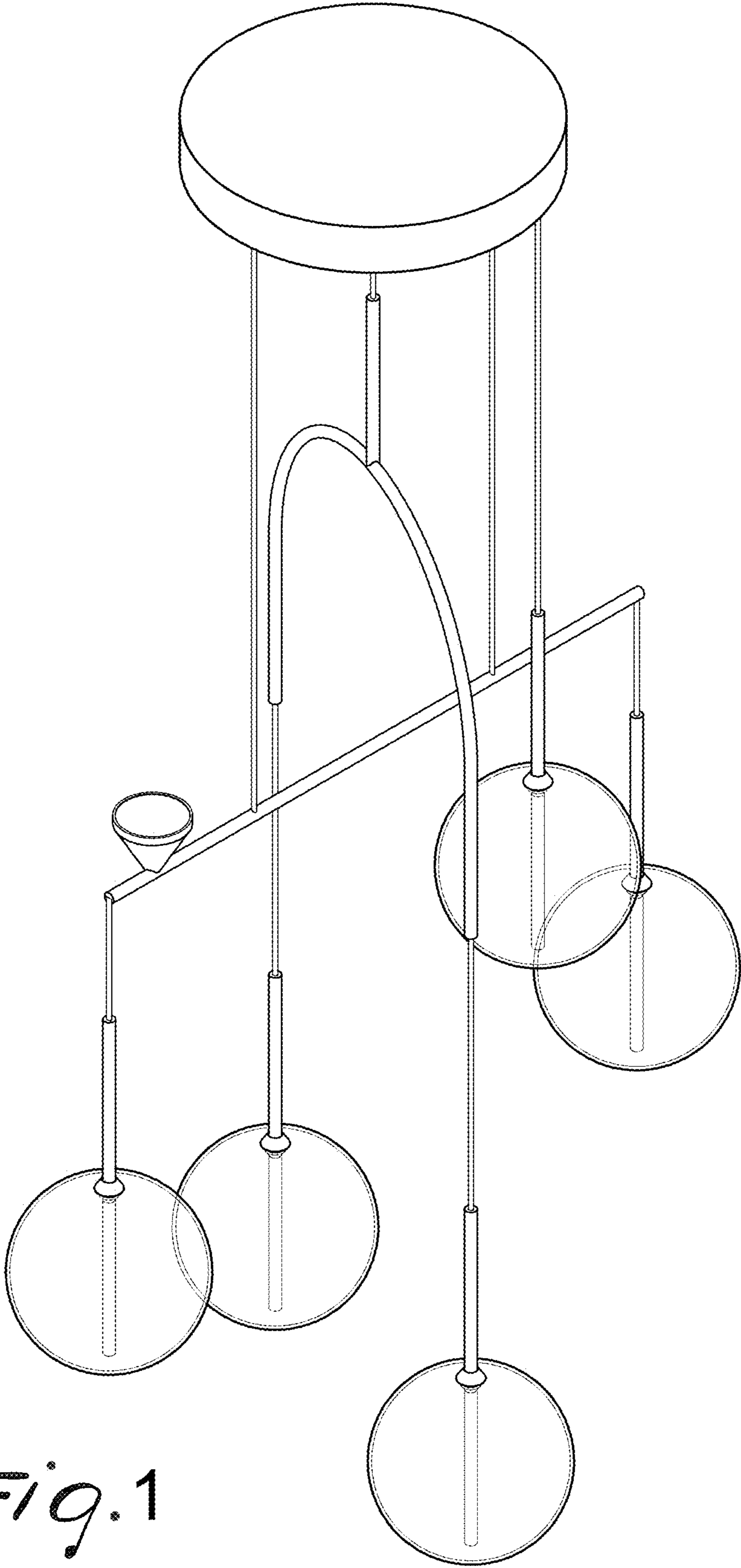


Fig. 1

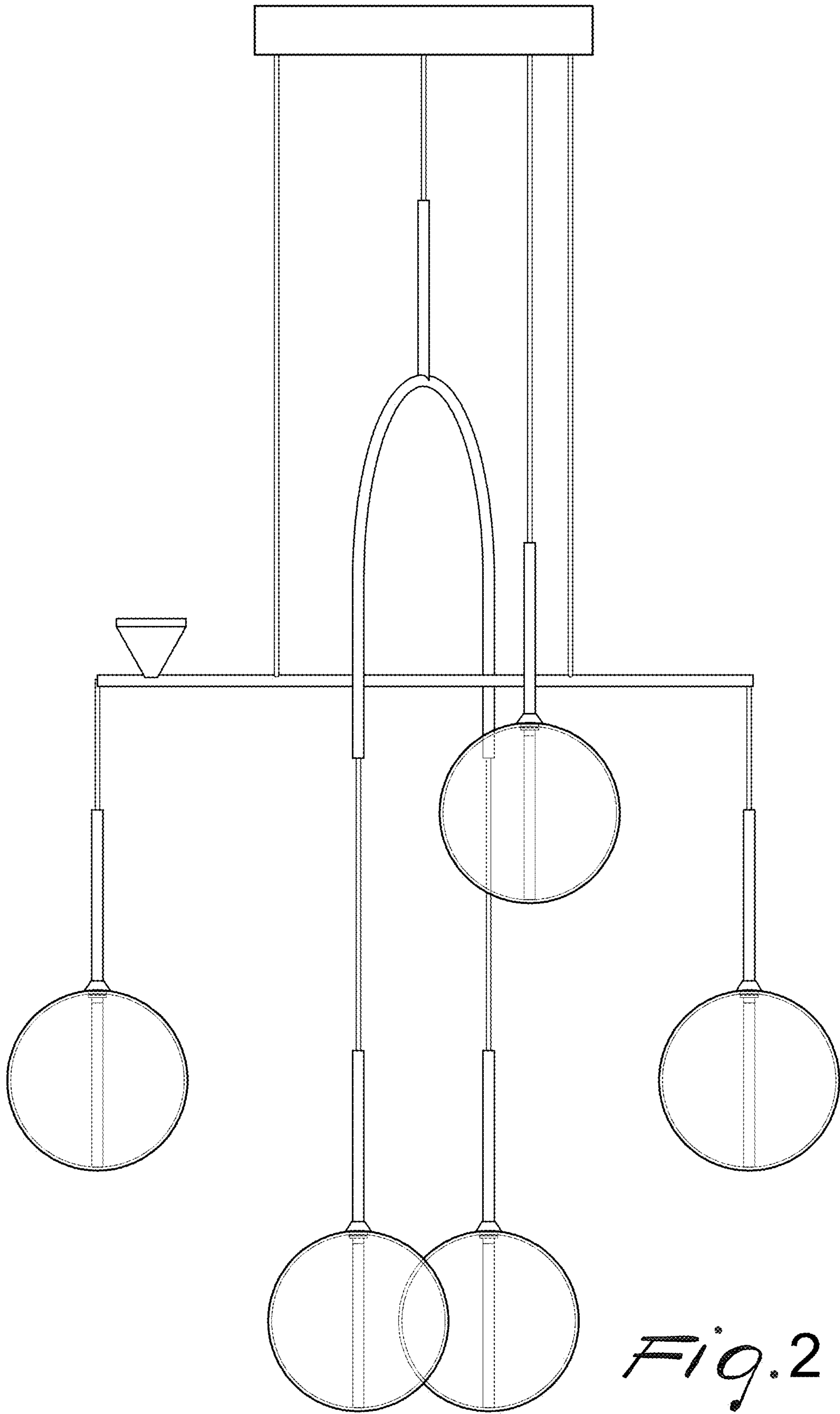


Fig. 2

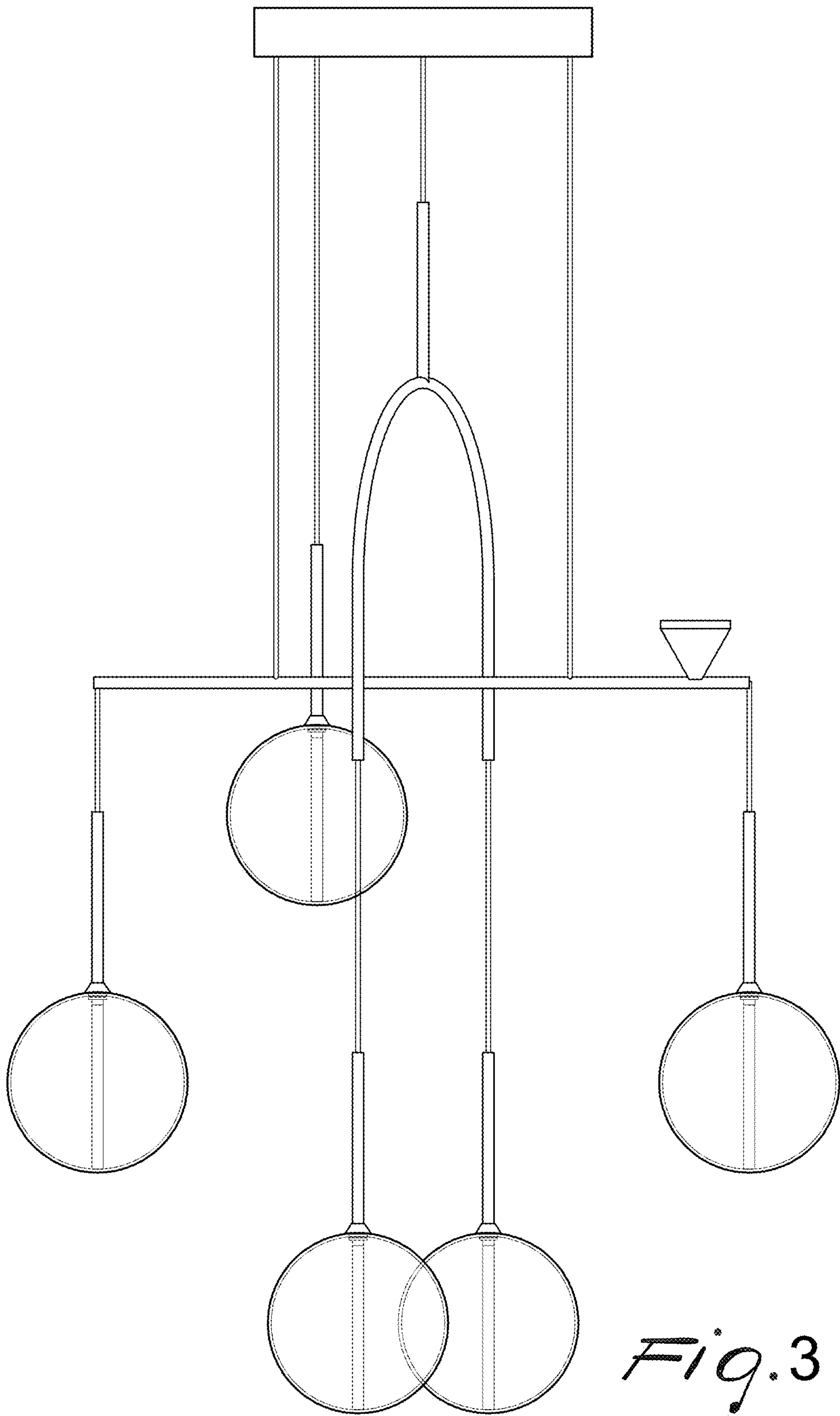


Fig. 3

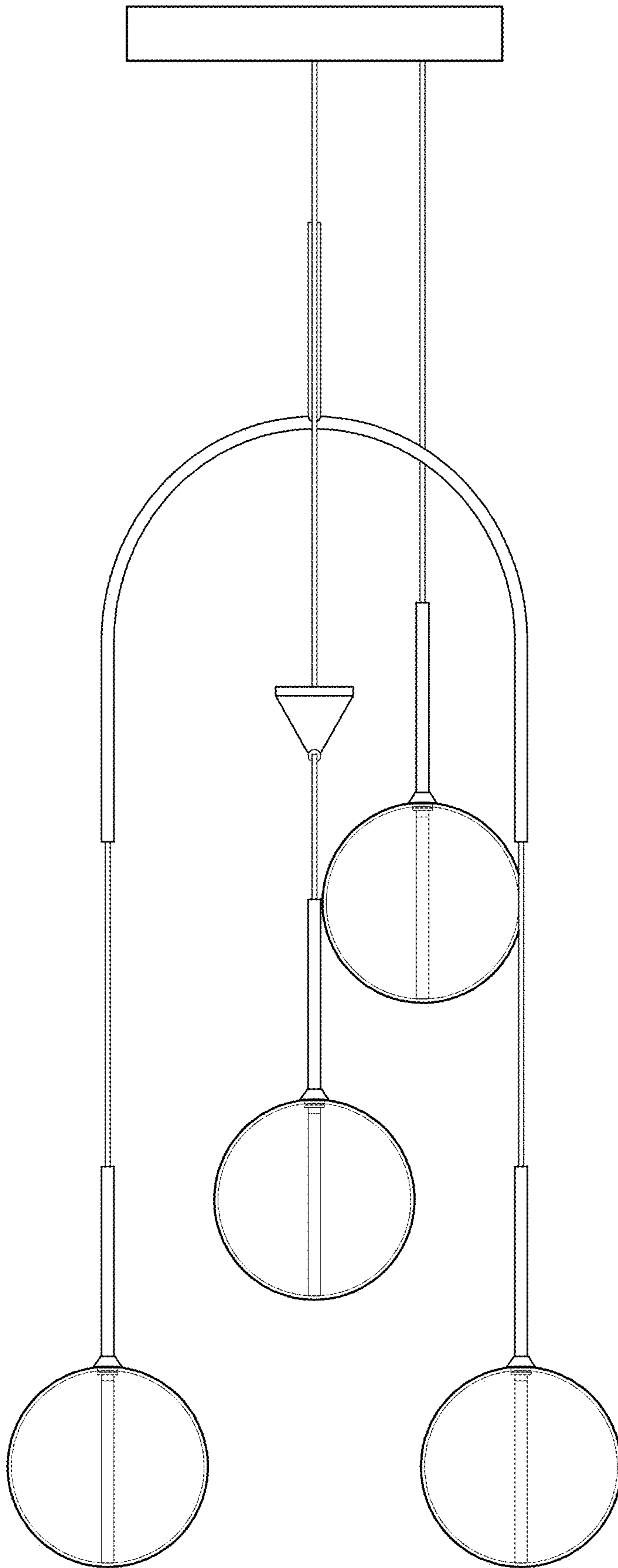


Fig. 4

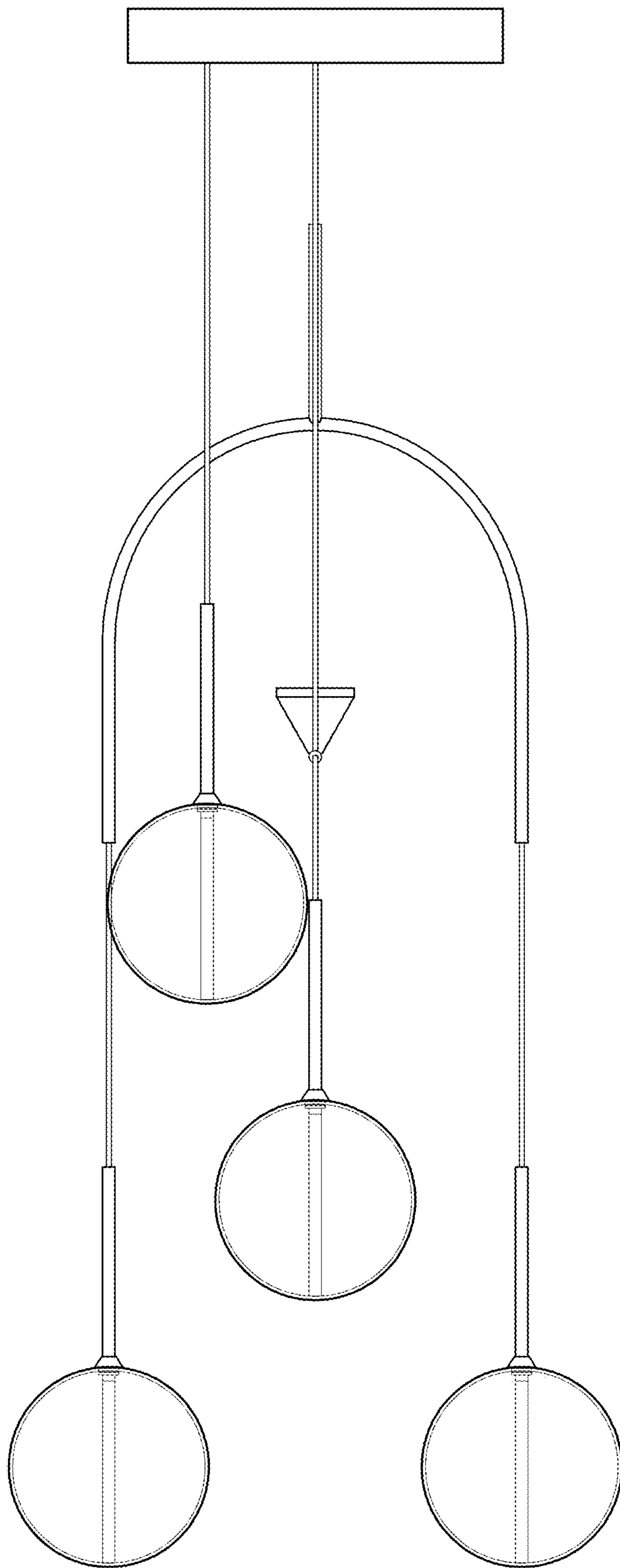


Fig. 5

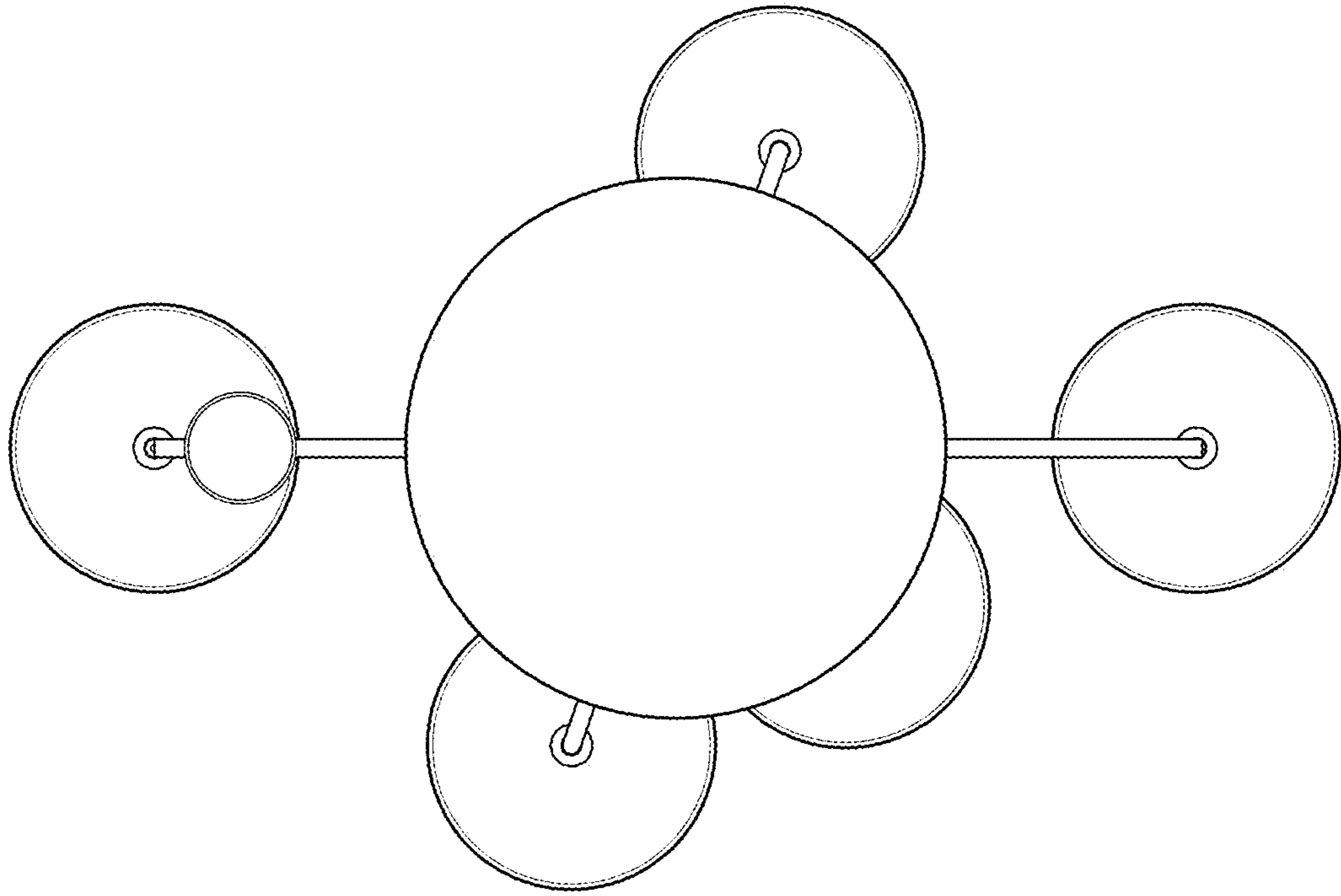


Fig. 6

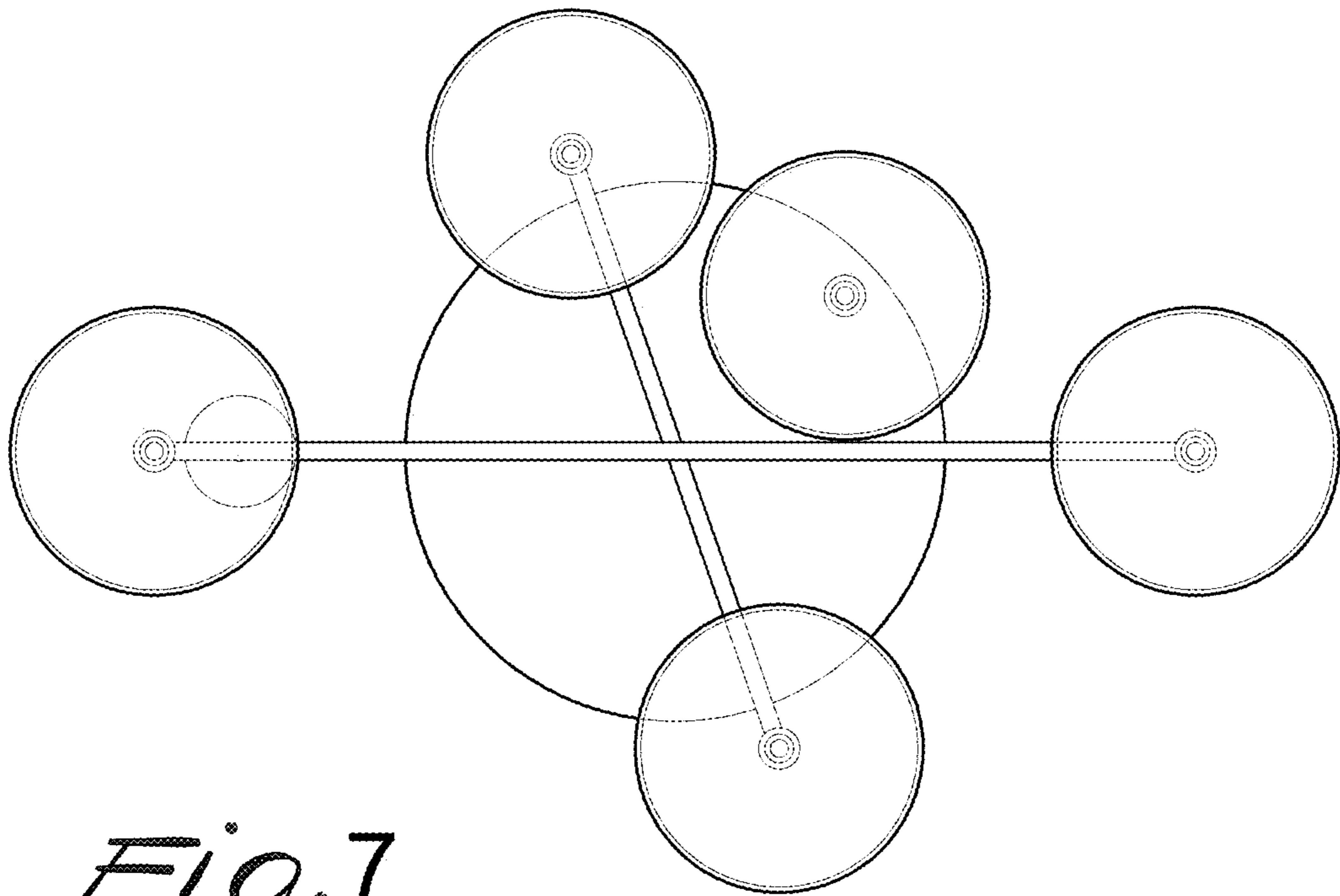


Fig. 7